

Description

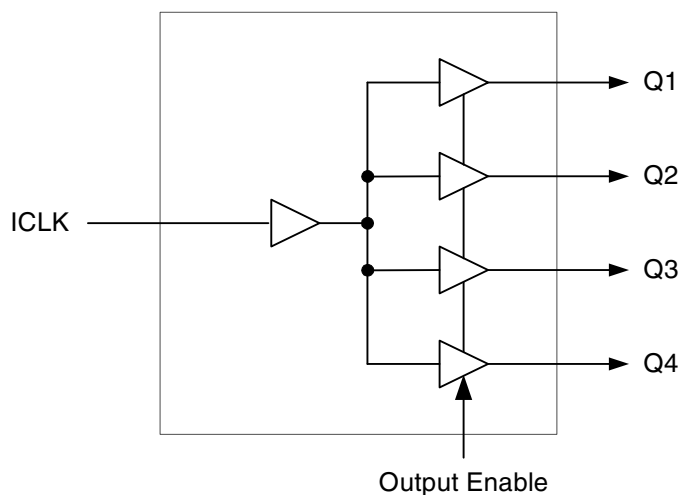
The 651S is a low cost, high-speed single input to four output clock buffer. The 651S has best in class Additive Phase Jitter of sub 50fsec.

IDT makes many non-PLL and PLL based low skew output devices as well as Zero Delay Buffers to synchronize clocks. Contact IDT for all of your clocking needs.

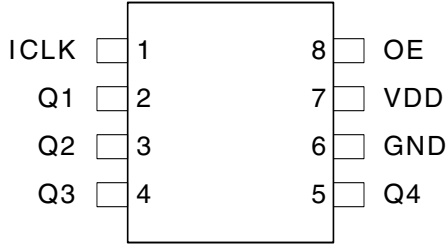
Features

- Low additive phase jitter RMS: 50fs
- Extremely low skew outputs (50ps)
- Low cost clock buffer
- Packaged in 8-pin SOIC and 8-pin DFN, Pb-free
- Input/Output clock frequency up to 200 MHz
- Non-inverting output clock
- Ideal for networking clocks
- Operating Voltages: 1.8V to 3.3V
- Output Enable mode tri-states outputs
- Advanced, low power CMOS process
- Extended temperature range (-40°C to +105°C)

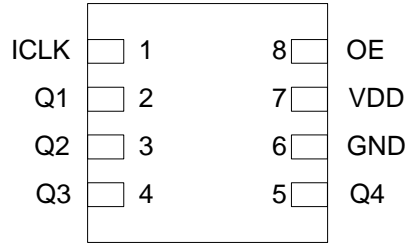
Block Diagram



Pin Assignment



8 Pin (150 mil) SOIC



8-pin DFN

Pin Descriptions

| Pin Number | Pin Name | Pin Type | Pin Description |
|------------|----------|----------|--|
| 1 | ICLK | Input | Clock input. Internal pull-up resistor. |
| 2 | Q1 | Output | Clock output 1. |
| 3 | Q2 | Output | Clock output 2. |
| 4 | Q3 | Output | Clock output 3. |
| 5 | Q4 | Output | Clock output 4. |
| 6 | GND | Power | Connect to ground. |
| 7 | VDD | Power | Connect +1.8V, +2.5V or +3.3V. |
| 8 | OE | Input | Output Enable. Tri-states outputs when low. Internal pull-up resistor. |

External Components

A minimum number of external components are required for proper operation. A decoupling capacitor of 0.01 μ F should be connected between VDD on pin 7 and GND on pin 6, as close to the device as possible. A 33 Ω series terminating resistor may be used on each clock output if the trace is longer than 1 inch.

Absolute Maximum Ratings

Stresses above the ratings listed below can cause permanent damage to the 651S. These ratings, which are standard values for IDT commercially rated parts, are stress ratings only. Functional operation of the device at these or any other conditions above those indicated in the operational sections of the specifications is not implied. Exposure to absolute maximum rating conditions for extended periods can affect product reliability. Electrical parameters are guaranteed only over the recommended operating temperature range.

| Item | Rating |
|---|------------------|
| Supply Voltage, VDD | 3.465V |
| All Inputs and Outputs | -0.5 V to 3.465V |
| Ambient Operating Temperature, Extended | -40 to +105°C |
| Storage Temperature | -65 to +150°C |
| Junction Temperature | 125°C |
| Soldering Temperature | 260°C |

Recommended Operation Conditions

| Parameter | Min. | Typ. | Max. | Units |
|---|-------|------|--------|-------|
| Ambient Operating Temperature, Extended | -40 | – | +105 | °C |
| Power Supply Voltage (measured in respect to GND) | +1.71 | | +3.465 | V |

DC Electrical Characteristics

VDD=1.8 V \pm 5%, Ambient temperature -40° to +105°C, unless stated otherwise

| Parameter | Symbol | Conditions | Min. | Typ. | Max. | Units |
|--------------------------|-----------------|--------------------------|---------|------|---------|----------|
| Operating Voltage | VDD | | 1.71 | | 1.89 | V |
| Input High Voltage, ICLK | V _{IH} | Note 1 | 0.7xVDD | | 1.89 | V |
| Input Low Voltage, ICLK | V _{IL} | Note 1 | | | 0.3xVDD | V |
| Input High Voltage, OE | V _{IH} | | 0.7xVDD | | VDD | V |
| Input Low Voltage, OE | V _{IL} | | | | 0.3xVDD | V |
| Output High Voltage | V _{OH} | I _{OH} = -10 mA | 1.3 | | | V |
| Output Low Voltage | V _{OL} | I _{OL} = 10 mA | | | 0.35 | V |
| Operating Supply Current | IDD | No load, 135 MHz | | 13 | | mA |
| Nominal Output Impedance | Z _O | | | 17 | | Ω |
| Input Capacitance | C _{IN} | OE pin | | 5 | | pF |

Notes: 1. Nominal switching threshold is VDD/2.

VDD=2.5 V \pm 5%, Ambient temperature -40° to +105°C, unless stated otherwise

| Parameter | Symbol | Conditions | Min. | Typ. | Max. | Units |
|--------------------------|-----------------|--------------------------|---------|------|---------|----------|
| Operating Voltage | VDD | | 2.375 | | 2.625 | V |
| Input High Voltage, ICLK | V _{IH} | Note 1 | 0.7xVDD | | 2.625 | V |
| Input Low Voltage, ICLK | V _{IL} | Note 1 | | | 0.3xVDD | V |
| Input High Voltage, OE | V _{IH} | | 0.7xVDD | | VDD | V |
| Input Low Voltage, OE | V _{IL} | | | | 0.3xVDD | V |
| Output High Voltage | V _{OH} | I _{OH} = -16 mA | 2 | | | V |
| Output Low Voltage | V _{OL} | I _{OL} = 16 mA | | | 0.3 | V |
| Operating Supply Current | IDD | No load, 135 MHz | | 18 | | mA |
| Nominal Output Impedance | Z _O | | | 17 | | Ω |
| Input Capacitance | C _{IN} | OE pin | | 5 | | pF |

Notes: 1. Nominal switching threshold is VDD/2.

VDD=3.3 V \pm 5%, Ambient temperature -40° to +105°C, unless stated otherwise

| Parameter | Symbol | Conditions | Min. | Typ. | Max. | Units |
|--------------------------|-----------------|--------------------------|---------|------|---------|----------|
| Operating Voltage | VDD | | 3.135 | | 3.465 | V |
| Input High Voltage, ICLK | V _{IH} | Note 1 | 0.7xVDD | | 3.465 | V |
| Input Low Voltage, ICLK | V _{IL} | Note 1 | | | 0.3xVDD | V |
| Input High Voltage, OE | V _{IH} | | 0.7xVDD | | VDD | V |
| Input Low Voltage, OE | V _{IL} | | | | 0.3xVDD | V |
| Output High Voltage | V _{OH} | I _{OH} = -25 mA | 2.2 | | | V |
| Output Low Voltage | V _{OL} | I _{OL} = 25 mA | | | 0.7 | V |
| Operating Supply Current | IDD | No load, 135 MHz | | 22 | | mA |
| Nominal Output Impedance | Z _O | | | 17 | | Ω |
| Input Capacitance | C _{IN} | OE pin | | 5 | | pF |

Notes: 1. Nominal switching threshold is VDD/2.

AC Electrical Characteristics

VDD=1.8V ±5%, Ambient Temperature -40° to +105°C, unless stated otherwise

| Parameter | Symbol | Conditions | Min. | Typ. | Max. | Units |
|-----------------------------------|-----------------------|--|------|------|------|--------|
| Output Frequency | | 5pF load, Note 4 | | | 200 | MHz |
| Output Clock Rise Time | t _{OR} | 0.36 to 1.44 V | | 0.6 | 1.0 | ns |
| Output Clock Fall Time | t _{OF} | 1.44 to 0.36V | | 0.6 | 1.0 | ns |
| Start-up Time | t _{START-UP} | Part start-up time for valid outputs after VDD ramp-up | | | 2 | ms |
| Propagation Delay | | 135 MHz, Note 1 | 1.5 | 2 | 4 | ns |
| Buffer Additive Phase Jitter, RMS | | 125MHz, Integration range: 12kHz–20MHz | | | 0.05 | ps |
| Output to Output Skew | | Rising edges at VDD/2, Note 2 | | 50 | 65 | ps |
| Output Enable Time | t _{EN} | CL ≤ 5pF | | | 3 | cycles |
| Output Disable Time | t _{DIS} | CL ≤ 5pF | | | 3 | cycles |

VDD=2.5V ±5%, Ambient Temperature -40° to +105°C, unless stated otherwise

| Parameter | Symbol | Conditions | Min. | Typ. | Max. | Units |
|-----------------------------------|-----------------------|--|------|------|------|--------|
| Output Frequency | | 5pF load, Note 4 | | | 200 | MHz |
| Output Clock Rise Time | t _{OR} | 0.5 to 2.0V | | 0.6 | 1.0 | ns |
| Output Clock Fall Time | t _{OF} | 2.0 to 0.5V | | 0.6 | 1.0 | ns |
| Start-up Time | t _{START-UP} | Part start-up time for valid outputs after VDD ramp-up | | | 2 | ms |
| Propagation Delay | | 135 MHz, Note 1 | 1.8 | 2.5 | 4.5 | ns |
| Buffer Additive Phase Jitter, RMS | | 125MHz, Integration range: 12kHz–20MHz | | | 0.05 | ps |
| Output to Output Skew | | Rising edges at VDD/2, Note 2 | | 50 | 65 | ps |
| Output Enable Time | t _{EN} | CL ≤ 5pF | | | 3 | cycles |
| Output Disable Time | t _{DIS} | CL ≤ 5pF | | | 3 | cycles |

VDD=3.3 V ±5%, Ambient Temperature -40° to +105°C, unless stated otherwise

| Parameter | Symbol | Conditions | Min. | Typ. | Max. | Units |
|-----------------------------------|-----------------------|--|------|------|------|--------|
| Output Frequency | | 5pF load, Note 4 | | | 200 | MHz |
| Output Clock Rise Time | t _{OR} | 0.66 to 2.64V | | 0.6 | 1.0 | ns |
| Output Clock Fall Time | t _{OF} | 2.64 to 0.66V | | 0.6 | 1.0 | ns |
| Start-up Time | t _{START-UP} | Part start-up time for valid outputs after VDD ramp-up | | | 2 | ms |
| Propagation Delay | | 135 MHz, Note 1 | 1.5 | 2 | 4 | ns |
| Buffer Additive Phase Jitter, RMS | | 125MHz, Integration range: 12kHz–20MHz | | | 0.05 | ps |
| Output to Output Skew | | Rising edges at VDD/2, Note 2 | | 50 | 65 | ps |
| Output Enable Time | t _{EN} | CL ≤ 5pF | | | 3 | cycles |
| Output Disable Time | t _{DIS} | CL ≤ 5pF | | | 3 | cycles |

Notes:

1. With rail to rail input clock.
2. Between any 2 outputs with equal loading.
3. Duty cycle on outputs will match incoming clock duty cycle. Consult IDT for tight duty cycle clock generators.
4. With external series resistor of 33Ω positioned close to each output pin.

Phase Noise Plots

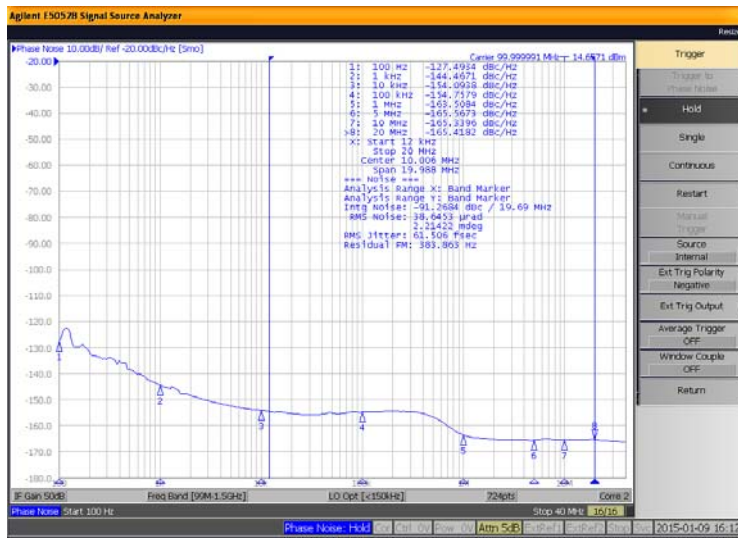


Figure 1. 651S Reference Phase Noise 62fs (12kHz to 20MHz)

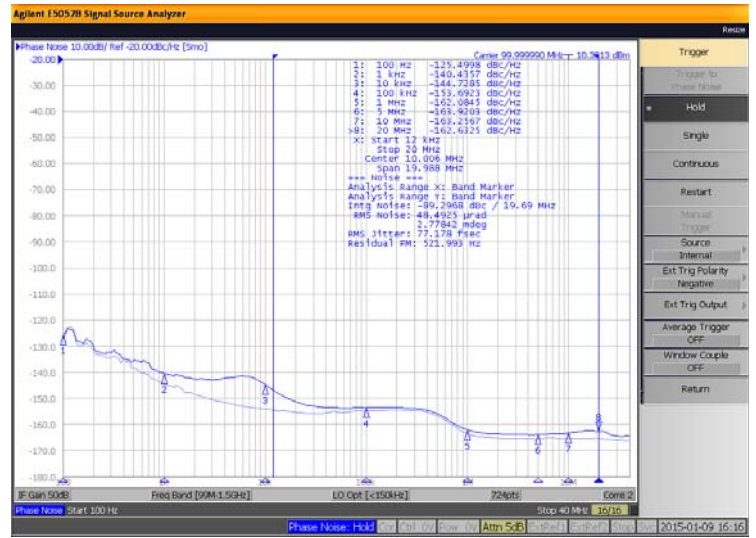
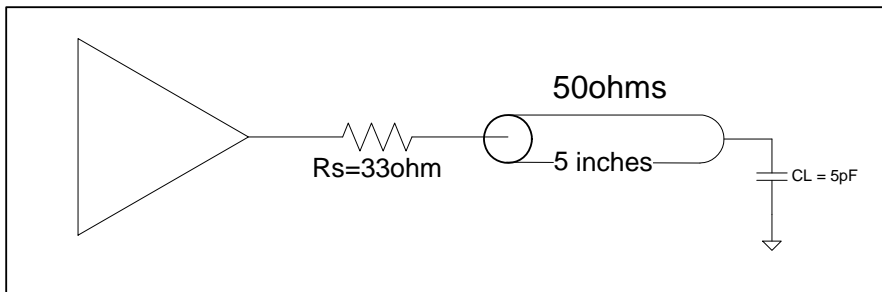


Figure 2. 651S Output Phase Noise 77fs (12kHz to 20MHz)

The phase noise plots above show the low Additive Jitter of the 651S high-performance buffer. With an integration range of 12kHz to 20MHz, the reference input has about 62fs of RMS phase jitter while the output of 651S has about 77fs of RMS phase jitter. This results in a low Additive Phase Jitter of only 45fs.

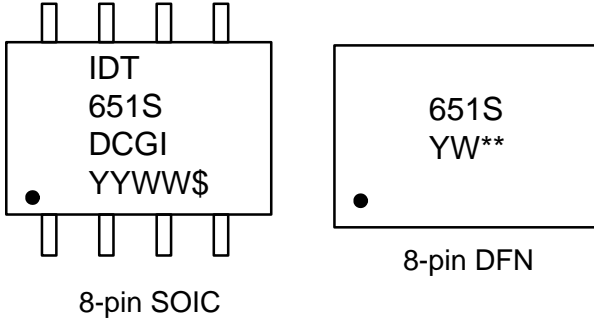
Test Load and Circuit



Thermal Characteristics (8SOIC)

| Parameter | Symbol | Conditions | Min. | Typ. | Max. | Units |
|--|---------------|----------------|------|------|------|-------|
| Thermal Resistance Junction to Ambient | θ_{JA} | Still air | | 150 | | °C/W |
| | θ_{JA} | 1 m/s air flow | | 140 | | °C/W |
| | θ_{JA} | 3 m/s air flow | | 120 | | °C/W |
| Thermal Resistance Junction to Case | θ_{JC} | | | 40 | | °C/W |

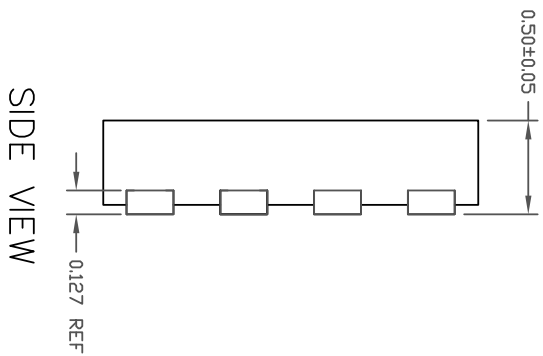
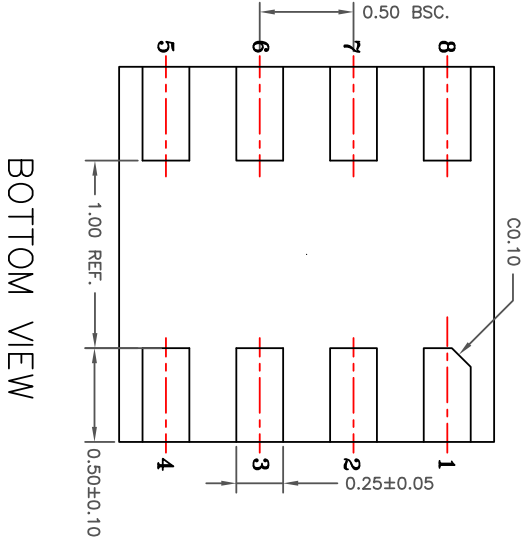
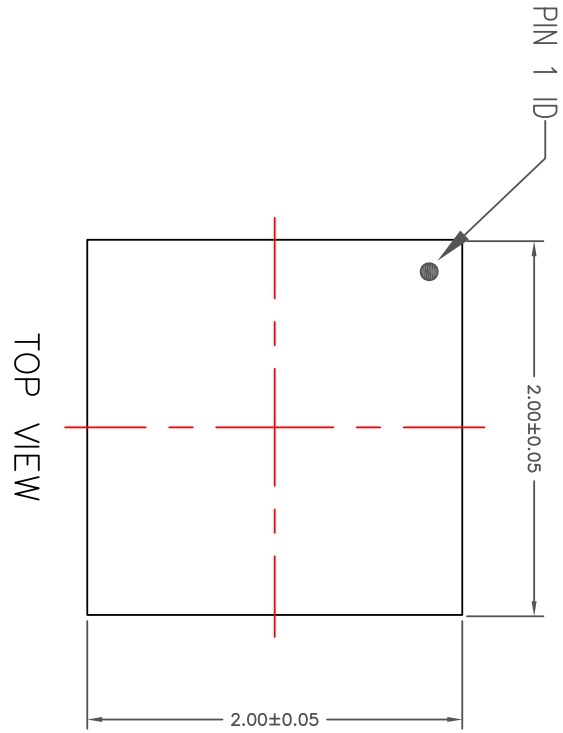
Marking Diagrams



Notes:

1. “**” is the lot number.
2. “YYWW” or “YW” are the last digits of the year and week that the part was assembled.
- 3 “G” denotes RoHS compliant package.
4. “\$” denotes the mark code.
5. “I” denotes extended temperature range device.

Package Outline and Package Dimensions (8-pin DFN, 2mm x 2mm Body, 0.5mm pitch)

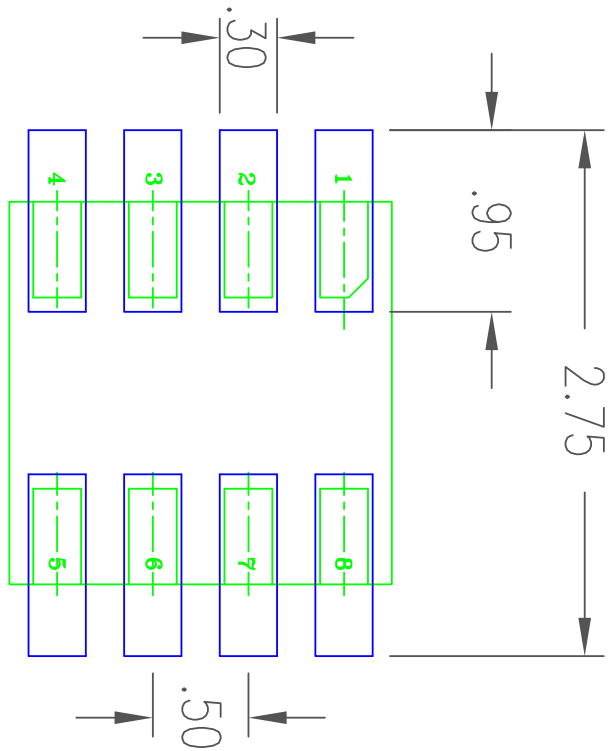


- NOTES:
1. ALL DIMENSIONING AND TOLERANCING CONFORM TO ANSI Y14.5M-1982
 2. ALL DIMENSIONS ARE IN MILLIMETERS

| REVISIONS | | | |
|-----------|-----------------|----------|----------|
| REV | DESCRIPTION | DATE | APPROVED |
| 00 | INITIAL RELEASE | 09/18/14 | JHUA |

| | | |
|--|-------------|--|
| TOLERANCES UNLESS SPECIFIED | | IDT 6024 SILVER CREEK VALLEY ROAD San Jose, CA 95138 PHONE: (408) 284-8200 FAX: (408) 492-8674 |
| DECIMAL | ANGULAR | |
| XXX.X | ± | |
| XXXX.X | | |
| APPROVALS | DATE | TITLE |
| DRAWN: <i>da/c</i> 09/10/14 CHECKED: <i>jk</i> 09/10/14 | 09/10/14 | 2.0 X 2.0 mm BODY 0.5mm PITCH VDFEN |
| SIZE | DRAWING No. | REV |
| C | PSC-4490 | 00 |
| DO NOT SCALE DRAWING | | SHEET 1 OF 2 |

Package Outline and Package Dimensions, cont. (8-pin DFN, 2mm x 2mm Body, 0.5mm pitch)



RECOMMENDED LAND PATTERN DIMENSION

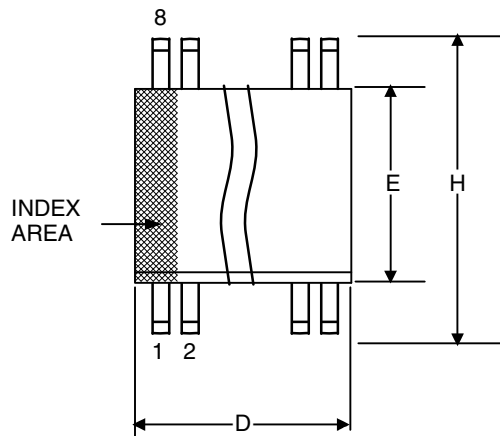
NOTES:

1. ALL DIMENSION ARE IN mm. ANGLES IN DEGREES.
2. TOP DOWN VIEW. AS VIEWED.
3. COMPONENT OUTLINE SHOW FOR REFERENCE IN GREEN.
4. LAND PATTERN IN BLUE. NSMD PATTERN ASSUMED.
5. LAND PATTERN RECOMMENDATION PER IPC-7351B. GENERIC REQUIREMENT FOR MOUNT DESIGN AND LAND PATTERN.

| REVISIONS | | |
|-----------|-----------------|----------|
| REV | DESCRIPTION | DATE |
| 00 | INITIAL RELEASE | 09/18/14 |
| | | |
| | | |

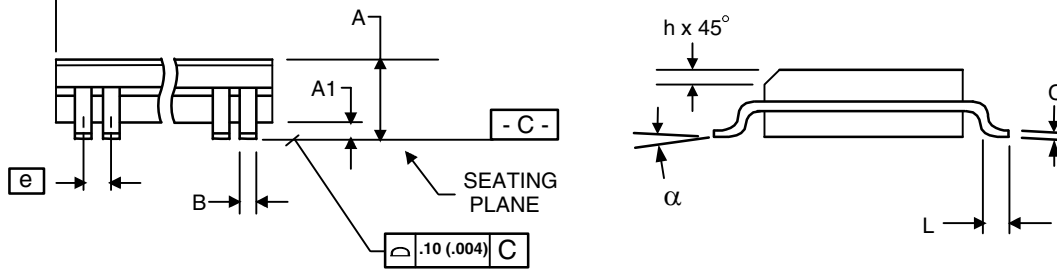
| | | |
|-----------------------------|-------------|---|
| TOLERANCES UNLESS SPECIFIED | | <p>6024 SILVER CREEK VALLE San Jose, CA 95138 PHONE: (408) 284-8200 FAX: (408) 492-8674</p> |
| DECIMAL | ± | |
| ANGULAR | ± | |
| XXX± | XXXX | |
| APPROVALS | DATE | TITLE |
| DRAWN | 02/09/10/14 | CM08 PACKAGE OUTLINE |
| CHECKED | | 2.0 X 2.0 mm BODY 0.5 mm PITCH VFOFN |
| SIZE | DRAWING No. | PSC-4490 |
| C | | |
| DO NOT SCALE DRAWING | | SHEET |

Package Outline and Package Dimensions (8-pin SOIC, 150 Mil. Narrow Body)



| Symbol | Millimeters | | Inches* | |
|--------|-------------|------|-------------|-------|
| | Min | Max | Min | Max |
| A | 1.35 | 1.75 | .0532 | .0688 |
| A1 | 0.10 | 0.25 | .0040 | .0098 |
| B | 0.33 | 0.51 | .013 | .020 |
| C | 0.19 | 0.25 | .0075 | .0098 |
| D | 4.80 | 5.00 | .1890 | .1968 |
| E | 3.80 | 4.00 | .1497 | .1574 |
| e | 1.27 BASIC | | 0.050 BASIC | |
| H | 5.80 | 6.20 | .2284 | .2440 |
| h | 0.25 | 0.50 | .010 | .020 |
| L | 0.40 | 1.27 | .016 | .050 |
| a | 0° | 8° | 0° | 8° |

*For reference only. Controlling dimensions in mm.



Ordering Information

| Part / Order Number | Marking | Shipping Packaging | Package | Temperature |
|---------------------|------------|--------------------|------------|----------------|
| 651SDCGI | see page 7 | Tubes | 8-pin SOIC | -40 to +105 °C |
| 651SDCGI8 | | Tape and Reel | 8-pin SOIC | -40 to +105 °C |
| 651SCMGI | | Cut Tape | 8-pin DFN | -40 to +105 °C |
| 651SCMGI8 | | Tape and Reel | 8-pin DFN | -40 to +105 °C |

“G” suffix to the part number denotes Pb-Free configuration, RoHS compliant.

Revision History

| Rev. | Date | Originator | Description of Change |
|------|----------|--------------|-----------------------|
| A | 03/18/15 | B. Chandhoke | Initial release. |



Corporate Headquarters
6024 Silver Creek Valley Road
San Jose, CA 95138 USA

Sales
1-800-345-7015 or 408-284-8200
Fax: 408-284-2775
www.IDT.com

Tech Support
email: clocks@idt.com

DISCLAIMER Integrated Device Technology, Inc. (IDT) and its subsidiaries reserve the right to modify the products and/or specifications described herein at any time and at IDT's sole discretion. All information in this document, including descriptions of product features and performance, is subject to change without notice. Performance specifications and the operating parameters of the described products are determined in the independent state and are not guaranteed to perform the same way when installed in customer products. The information contained herein is provided without representation or warranty of any kind, whether express or implied, including, but not limited to, the suitability of IDT's products for any particular purpose, an implied warranty of merchantability, or non-infringement of the intellectual property rights of others. This document is presented only as a guide and does not convey any license under intellectual property rights of IDT or any third parties.

IDT's products are not intended for use in applications involving extreme environmental conditions or in life support systems or similar devices where the failure or malfunction of an IDT product can be reasonably expected to significantly affect the health or safety of users. Anyone using an IDT product in such a manner does so at their own risk, absent an express, written agreement by IDT.

Integrated Device Technology, IDT and the IDT logo are registered trademarks of IDT. Product specification subject to change without notice. Other trademarks and service marks used herein, including protected names, logos and designs, are the property of IDT or their respective third party owners.

Copyright ©2015 Integrated Device Technology, Inc.. All rights reserved.

Данный компонент на территории Российской Федерации

Вы можете приобрести в компании MosChip.

Для оперативного оформления запроса Вам необходимо перейти по данной ссылке:

<http://moschip.ru/get-element>

Вы можете разместить у нас заказ для любого Вашего проекта, будь то серийное производство или разработка единичного прибора.

В нашем ассортименте представлены ведущие мировые производители активных и пассивных электронных компонентов.

Нашей специализацией является поставка электронной компонентной базы двойного назначения, продукции таких производителей как XILINX, Intel (ex.ALTERA), Vicor, Microchip, Texas Instruments, Analog Devices, Mini-Circuits, Amphenol, Glenair.

Сотрудничество с глобальными дистрибьюторами электронных компонентов, предоставляет возможность заказывать и получать с международных складов практически любой перечень компонентов в оптимальные для Вас сроки.

На всех этапах разработки и производства наши партнеры могут получить квалифицированную поддержку опытных инженеров.

Система менеджмента качества компании отвечает требованиям в соответствии с ГОСТ Р ИСО 9001, ГОСТ РВ 0015-002 и ЭС РД 009

Офис по работе с юридическими лицами:

105318, г.Москва, ул.Щербаковская д.3, офис 1107, 1118, ДЦ «Щербаковский»

Телефон: +7 495 668-12-70 (многоканальный)

Факс: +7 495 668-12-70 (доб.304)

E-mail: info@moschip.ru

Skype отдела продаж:

moschip.ru

moschip.ru_4

moschip.ru_6

moschip.ru_9