

Features

- Low Voltage Operation: 2.7 V
- High IP3: +56 dBm
- Low Insertion Loss: 0.30 dB at 1 GHz
- High Isolation: 25 dB at 1 GHz
- 0.5 micron GaAs PHEMT Process
- Lead-Free SC70 Package
- Halogen-Free “Green” Mold Compound
- 260°C Reflow Compatible
- RoHS* Compliant Version of MASWSS0117

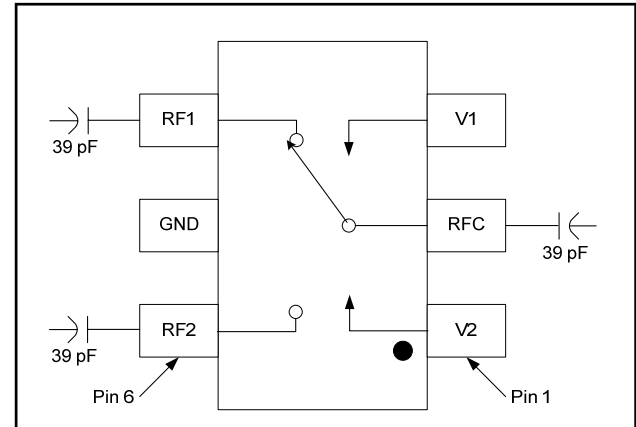
Description

The MASWSS0204 is a GaAs pHEMT MMIC single pole double throw (SPDT) high power switch in a low cost SC70 six lead package. The MASWSS0204 is ideally suited for applications where high power, low control voltage, low insertion loss, high isolation, small size and low cost are required.

Typical applications are for CDMA handset systems that connect separate transceiver and/or GPS functions to a common antenna, as well as other related handset and general purpose applications. The MASWSS0204 can be used in all systems operating up to 3 GHz requiring high power at low control voltage.

The MASWSS0204 is fabricated using a 0.5 micron gate length GaAs pHEMT process. The process features full passivation for performance and reliability.

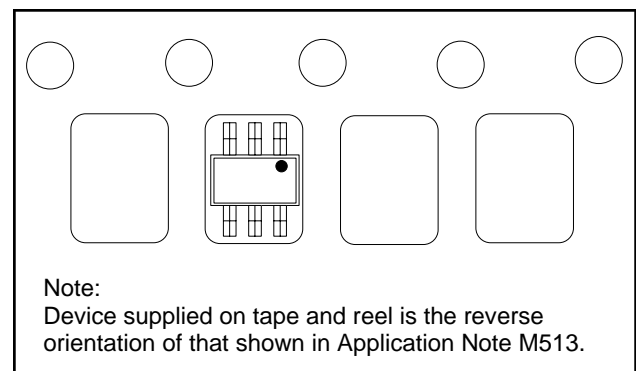
Functional Block Diagram



Pin Configuration

Pin No.	Pin Name	Description
1	V2	Vcontrol 2
2	RFC	RF Common
3	V1	Vcontrol 1
4	RF1	RF Port 1
5	GND	RF Ground
6	RF2	RF Port 2

MASWSS0204 orientation in tape



Ordering Information ^{1,2}

Part Number	Package
MASWSS0204	Bulk Packaging
MASWSS0204TR-3000	3000 piece reel
MASWSS0204SMB	Sample Test Board

1. Reference Application Note M513 for reel size information.
2. All sample boards include 5 loose parts.

* Restrictions on Hazardous Substances, European Union Directive 2002/95/EC.

GaAs SPDT 2.7 V High Power Switch DC - 3.0 GHz

Rev. V3

Electrical Specifications: $T_A = 25^\circ\text{C}$, $V_C = 0\text{ V}/2.7\text{ V}$, $Z_0 = 50\ \Omega$ ³

Parameter	Test Conditions	Units	Min.	Typ.	Max.
Insertion Loss ⁴	DC - 1 GHz	dB	—	0.30	0.65
	1 - 2 GHz		—	0.35	—
	2 - 3 GHz		—	0.35	—
Isolation	DC - 1 GHz	dB	23	25	—
	1 - 2 GHz		—	19	—
	2 - 3 GHz		—	15	—
Return Loss	DC - 3 GHz	dB	—	20	—
IP3	825 MHz Two Tone, +24 dBm Total Pin, 5 MHz Spacing	dBm	—	56	—
Cross Modulation	For Cell Band: Two-tone signal input: $T_{x1} = +22\text{ dBm @ } 820\text{ MHz}$, $T_{x2} = +22\text{ dBm @ } 821\text{ MHz}$, $R_x\text{ interfere} = -23\text{ dBm @ } 869\text{ MHz}$.	dBm	—	-99	—
	For PCS Band: Two-tone signal input: $T_{x1} = +18\text{ dBm @ } 1880\text{ MHz}$, $T_{x2} = +18\text{ dBm @ } 1881\text{ MHz}$, $R_x\text{ interfere} = -23\text{ dBm @ } 1960\text{ MHz}$.	dBm	—	-94	—
P0.1dB	1 GHz	dBm	—	38	—
Trise, Tfall	10% to 90% RF, 90% to 10% RF	ns	—	70	—
Ton, Toff	50% control to 90% RF, 50% control to 10% RF	ns	—	100	—
Transients	In Band	mV	—	25	—
Control Current	$V_C = 2.7\text{ V}$	μA	—	5	20

3. For positive voltage control, external DC blocking capacitors are required on all RF ports.

4. Insertion loss can be optimized by varying the DC blocking capacitor value, e.g. 1000 pF for 100 MHz - 1 GHz, 39 pF for 0.5 - 3 GHz.

Absolute Maximum Ratings ^{5,6}

Parameter	Absolute Maximum
Input Power (0.5 - 3 GHz, 3 V Control)	+38 dBm
Operating Voltage	+8.5 volts
Operating Temperature	-40°C to +85°C
Storage Temperature	-65°C to +150°C

5. Exceeding any one or combination of these limits may cause permanent damage to this device.

6. M/A-COM Technology does not recommend sustained operation near these survivability limits.

Truth Table ^{7,8,9}

V1	V2	ANT- RF1	ANT - RF2
1	0	On	Off
0	1	Off	On

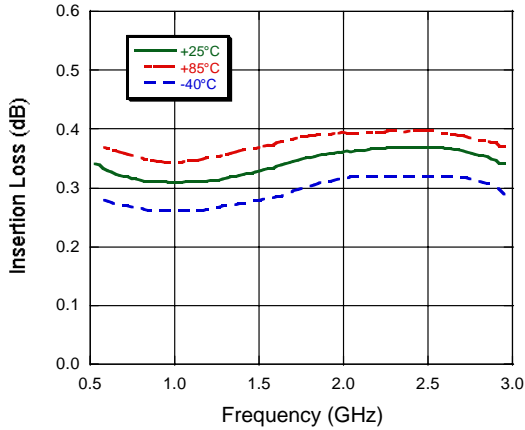
7. For positive voltage control, external DC blocking capacitors are required on all RF ports.

8. Differential voltage, $V(\text{state } 1) - V(\text{state } 0)$, must be +2.7 V minimum, but must not exceed 8.5 V.

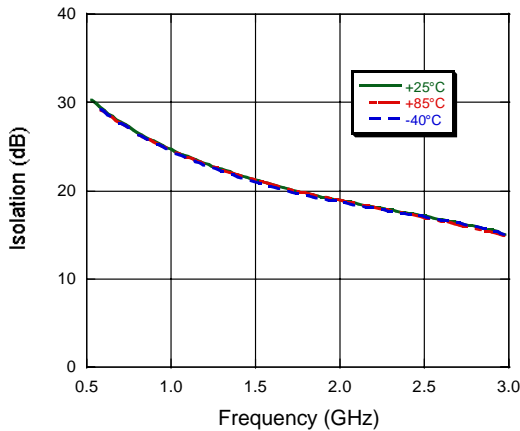
9. 0 = -5 V to +2.3 V, 1 = -2.3 V to +5 V.

Typical Performance Curves, 39 pF

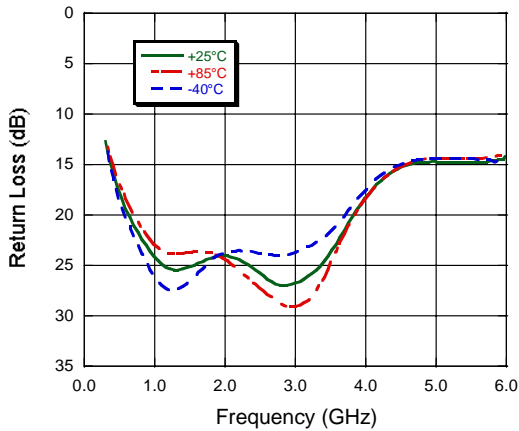
Insertion Loss



Isolation



Return Loss



Qualification

Qualified to M/A-COM specification REL-201, Process Flow -2.

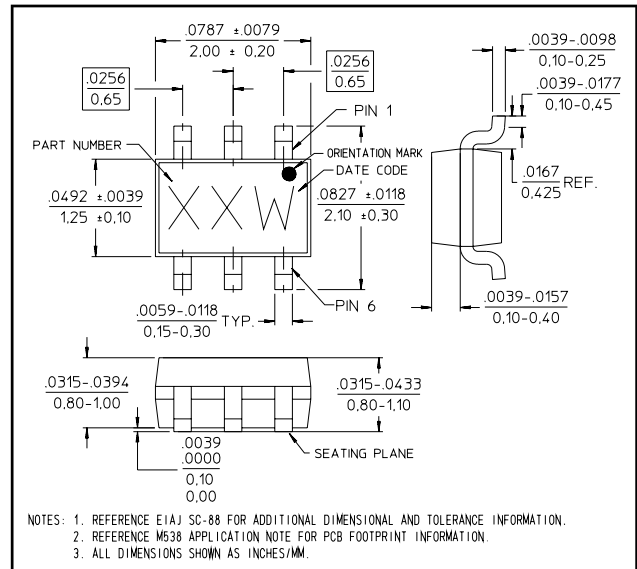
Handling Procedures

Please observe the following precautions to avoid damage:

Static Sensitivity

Gallium Arsenide Integrated Circuits are sensitive to electrostatic discharge (ESD) and can be damaged by static electricity. Proper ESD control techniques should be used when handling these devices.

Lead-Free SC70 Plastic Package[†]



[†] Reference Application Note M538 for lead-free solder reflow recommendations.
Meets JEDEC moisture sensitivity level 1 requirements.
Plating is 100% matte tin over copper.

Данный компонент на территории Российской Федерации

Вы можете приобрести в компании MosChip.

Для оперативного оформления запроса Вам необходимо перейти по данной ссылке:

<http://moschip.ru/get-element>

Вы можете разместить у нас заказ для любого Вашего проекта, будь то серийное производство или разработка единичного прибора.

В нашем ассортименте представлены ведущие мировые производители активных и пассивных электронных компонентов.

Нашей специализацией является поставка электронной компонентной базы двойного назначения, продукции таких производителей как XILINX, Intel (ex.ALTERA), Vicor, Microchip, Texas Instruments, Analog Devices, Mini-Circuits, Amphenol, Glenair.

Сотрудничество с глобальными дистрибьюторами электронных компонентов, предоставляет возможность заказывать и получать с международных складов практически любой перечень компонентов в оптимальные для Вас сроки.

На всех этапах разработки и производства наши партнеры могут получить квалифицированную поддержку опытных инженеров.

Система менеджмента качества компании отвечает требованиям в соответствии с ГОСТ Р ИСО 9001, ГОСТ РВ 0015-002 и ЭС РД 009

Офис по работе с юридическими лицами:

105318, г.Москва, ул.Щербаковская д.3, офис 1107, 1118, ДЦ «Щербаковский»

Телефон: +7 495 668-12-70 (многоканальный)

Факс: +7 495 668-12-70 (доб.304)

E-mail: info@moschip.ru

Skype отдела продаж:

moschip.ru

moschip.ru_4

moschip.ru_6

moschip.ru_9