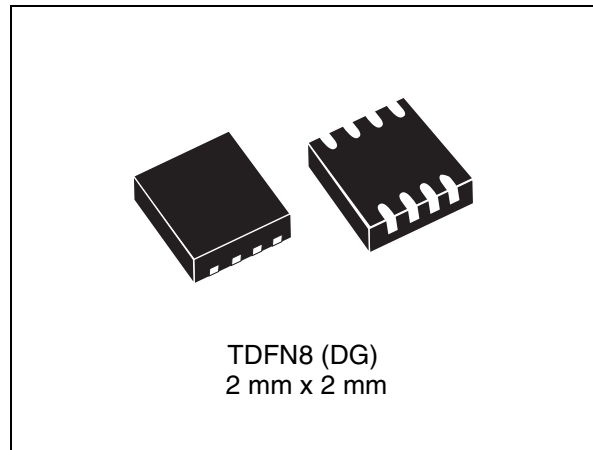

Dual push-button Smart Reset™ with capacitor-adjustable delays

Features

- Dual Smart Reset™ push-button inputs with capacitor-adjustable extended reset setup delay (t_{SRC})
- Capacitor-adjustable reset pulse duration (t_{REC})
- Power-on reset
 - \overline{RST} active-low, open-drain
- Factory-programmable thresholds to monitor V_{CC} in the range of 1.575 to 4.625 V typ.
- Operating voltage 1.0 V (active-low output valid) to 5.5 V
- Low supply current (1.4 μ A)
- Operating temperature: industrial grade -40°C to $+85^{\circ}\text{C}$
- TDFN8 package: 2 mm x 2 mm x 0.75 mm
- RoHS compliant



Applications

- Mobile phones, smartphones
- e-books
- MP3 players
- Games
- Portable navigation devices
- Any application that requires delayed reset push-button(s) response for improved system stability

Contents

1	Description	5
1.1	Smart Reset™ devices	5
1.2	STM6510	5
1.3	Pin descriptions	9
1.3.1	Power supply (V_{CC})	9
1.3.2	Ground (V_{SS})	9
1.3.3	Smart Reset™ push-button inputs ($\overline{SR0}$, $\overline{SR1}$)	9
1.3.4	Adjustable delay of Smart Reset™ input (SRC pin)	9
1.3.5	Reset output (\overline{RST})	10
1.3.6	Adjustable reset timeout ($TREC_{ADJ}$ pin)	10
2	Typical operating characteristics	11
3	Maximum ratings	13
4	DC and AC parameters	14
5	Package mechanical data	17
6	Part numbering	23
7	Package marking	24
8	Revision history	25

List of tables

Table 1.	Signal names	6
Table 2.	tSRC programmed by an ideal external capacitor	9
Table 3.	tREC programmed by an ideal external capacitor	10
Table 4.	Absolute maximum ratings	13
Table 5.	Operating and measurement conditions	14
Table 6.	DC and AC characteristics	15
Table 7.	Possible VCC voltage thresholds	16
Table 8.	TDFN – 8-lead 2 x 2 x 0.75 mm, 0.5 mm pitch package mechanical data	18
Table 9.	Parameter for landing pattern - TDFN – 8-lead 2 x 2 mm package	19
Table 10.	Carrier tape dimensions	20
Table 11.	Reel dimensions	21
Table 12.	Ordering information scheme	23
Table 13.	Package marking	24
Table 14.	Document revision history	25

List of figures

Figure 1.	Logic diagram	6
Figure 2.	Pin connections	6
Figure 3.	Block diagram	7
Figure 4.	Single-button Smart Reset™ typical hookup	8
Figure 5.	Dual-button Smart Reset™ typical hookup.	8
Figure 6.	Timing waveforms.	9
Figure 7.	Supply current (I_{CC}) vs. temperature	11
Figure 8.	Smart Reset™ delay (t_{SRC}) vs. temperature, $C_{SRC} = 0.56 \mu F$	11
Figure 9.	Reset timeout period (t_{REC}) vs. temperature, $C_{tREC} = 0.01 \mu F$	12
Figure 10.	Reset threshold (V_{RST}) vs. temperature, “S” threshold option, V_{CC} falling.	12
Figure 11.	AC testing input/output waveforms	14
Figure 12.	TDFN – 8-lead 2 x 2 x 0.75 mm, 0.5 mm pitch package outline.	18
Figure 13.	Landing pattern - TDFN – 8-lead 2 x 2 mm without thermal pad	19
Figure 14.	Carrier tape	20
Figure 15.	Reel dimensions	21
Figure 16.	Tape trailer/leader.	22
Figure 17.	Pin 1 orientation	22
Figure 18.	Package marking, top view.	24

1 Description

1.1 Smart Reset™ devices

The Smart Reset™ device family STM65xx provides a useful feature that ensures inadvertent short reset push-button closures do not cause system resets. This is done by implementing an extended Smart Reset™ input delay (t_{SRC}). Once the valid Smart Reset™ input levels and setup delay are met, the device generates an output reset pulse with user-programmable timeout period (t_{REC}).

The typical application hookup shows that the dual Smart Reset™ inputs can be also connected to the applications interrupt to allow the control of both the interrupt pin and the hard reset functions. If the push-buttons are closed for a short time, the processor is only interrupted. If the system still does not respond properly, holding the push-buttons for the extended setup time (t_{SRC}) causes a hard reset of the processor through the reset output. The Smart Reset™ feature helps significantly increase system stability.

The STM65xx family of Smart Reset™ devices consists of low-current microprocessor reset circuits targeted at applications such as MP3 players, portable navigation devices or mobile phones, generally any application that requires delayed reset push-button(s) response for improved system stability. The STM65xx devices feature single or dual Smart Reset™ inputs (SRx). The delayed Smart Reset™ setup time (t_{SRC}) options are adjustable by adding an external capacitor on the SRC pin or selectable by three-state logic. The delayed setup period ignores switch closures shorter than t_{SRC} , thus preventing undesired resets.

The STM65xx devices have active-low (optionally active-high) open-drain reset (\overline{RST}) output(s) with or without an internal pull-up resistor or push-pull as output options, with or without the power-on reset function.

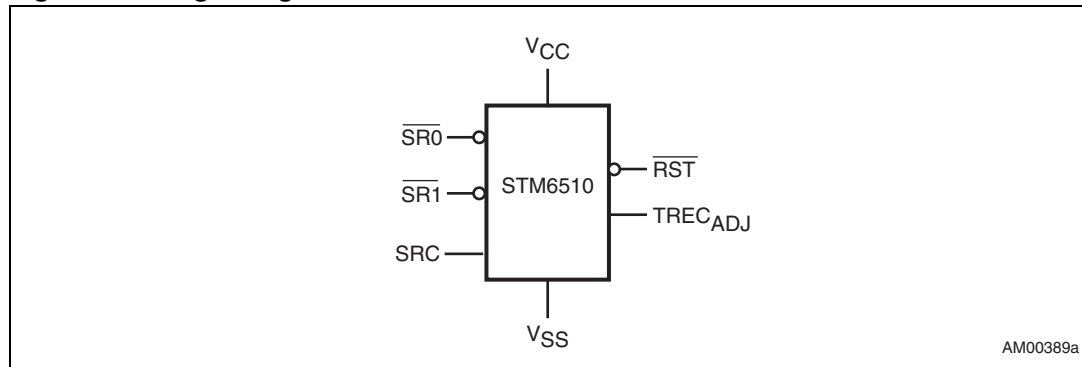
Some devices also have an undervoltage monitoring feature: the reset output is also asserted when the monitored supply voltage V_{CC} drops below the specified threshold. The reset output remains asserted for the reset timeout period (t_{REC}) after the monitored supply voltage goes above the specified threshold.

1.2 STM6510

The STM6510 has two combined Smart Reset™ inputs ($\overline{SR0}$ and $\overline{SR1}$) with Smart Reset™ setup delay (t_{SRC}) programmed by an external capacitor on the SRC pin. An additional STM6510 feature is adjustable output reset pulse time t_{REC} by adding an external capacitor (C_{tREC}).

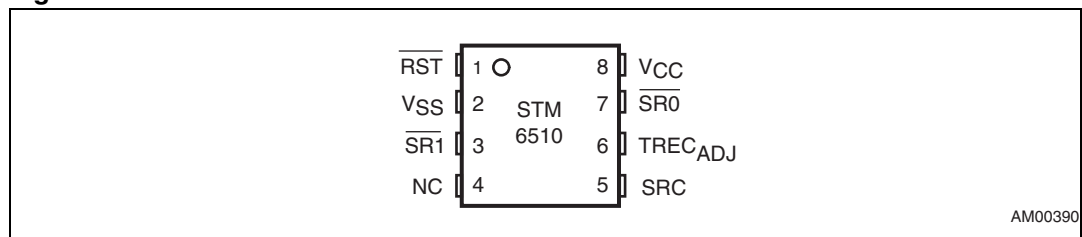
Additionally, the V_{CC} is monitored and if it drops below the selected V_{RST} threshold, the reset output goes active and remains active while V_{CC} is below the V_{RST} threshold, plus the defined duration of the reset pulse t_{REC} .

Figure 1. Logic diagram



AM00389a

Figure 2. Pin connections



AM00390

Table 1. Signal names

Symbol	Input/output	Description
\overline{RST}	Output	Reset output, active-low (open-drain).
$\overline{SR0}$	Input	Primary push-button Smart Reset™ input. Active-low, internal 65 kΩ pull-up resistor to V_{CC} .
$\overline{SR1}$	Input	Secondary push-button Smart Reset™ input. Active-low, internal 65 kΩ pull-up resistor to V_{CC} .
SRC	Input	Smart Reset™ input delay setup control. Connect an external capacitor to this pin to adjust the delay setup time (t_{SRC}).
TREC _{ADJ}	Input	Input pin for t_{REC} reset pulse duration adjustment. Connect an external capacitor (C_{TREC}) to this pin to determine t_{REC} .
V_{CC}	Supply	Supply voltage input. Power supply for the device and an input for the monitored supply voltage. A 0.1 μF decoupling ceramic capacitor is recommended to be connected between V_{CC} and V_{SS} pins.
V_{SS}	Supply	Ground
NC		No connect (not bonded); should be connected to V_{SS} .

Figure 3. Block diagram

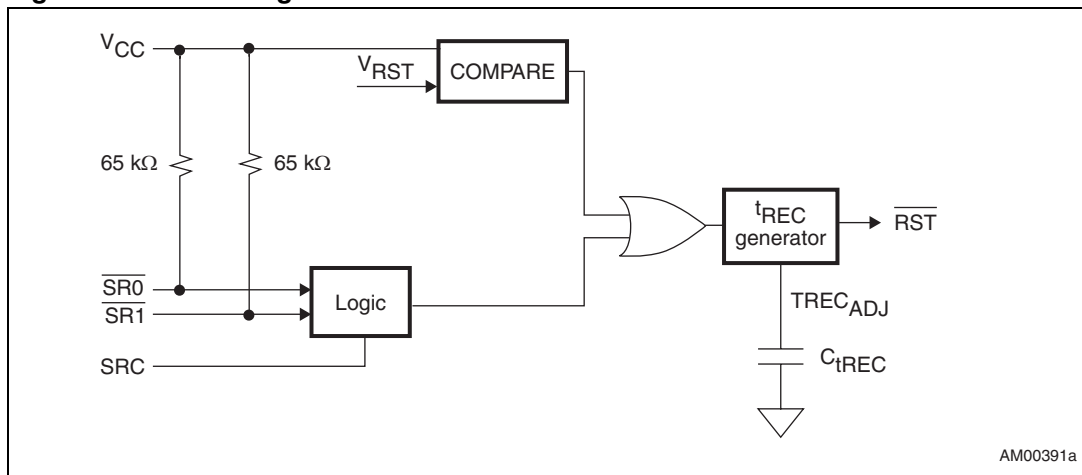
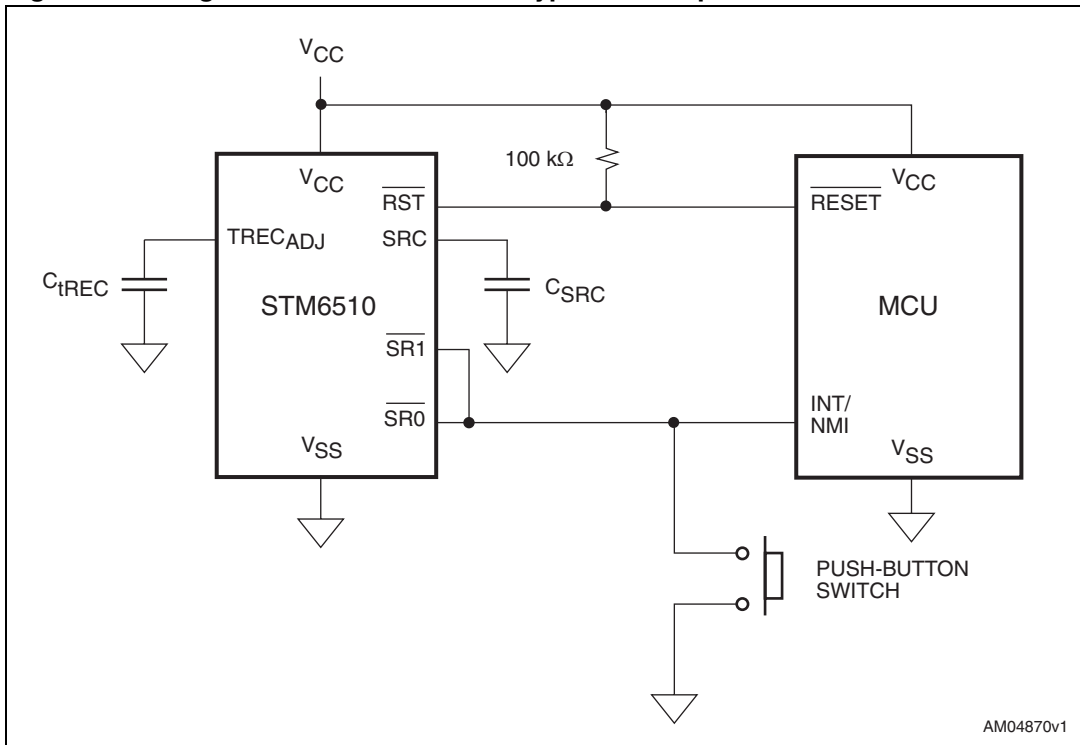
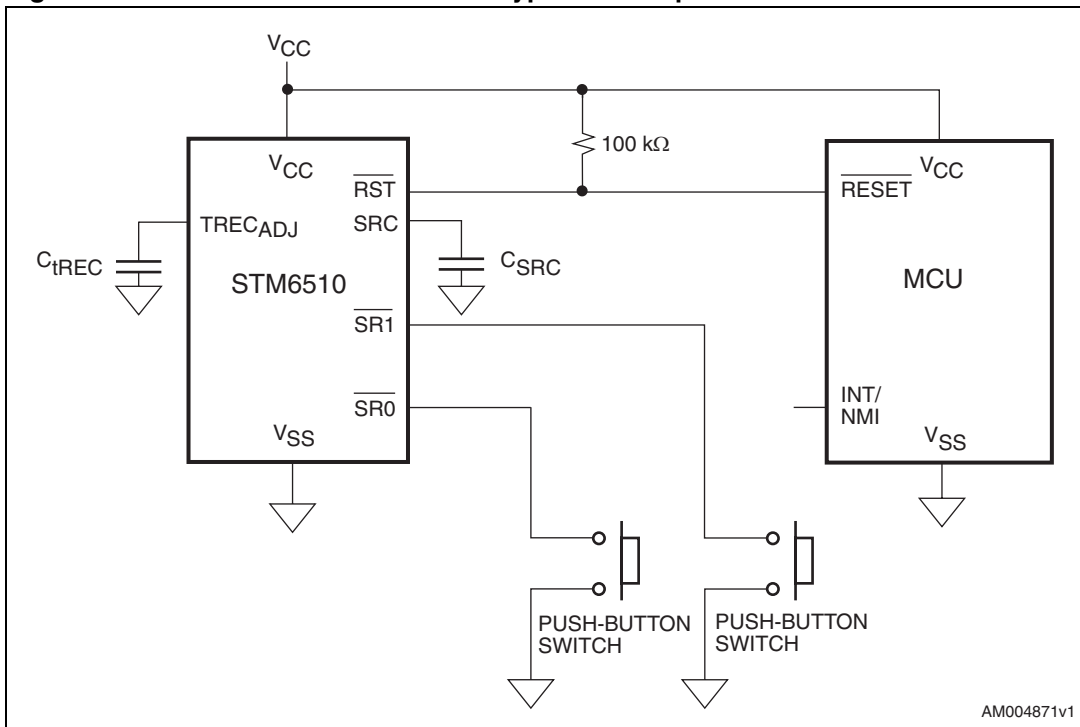


Figure 4. Single-button Smart Reset™ typical hookup



Note: When only one Smart Reset™ input push-button is used, tie both the \overline{SR} inputs together.

Figure 5. Dual-button Smart Reset™ typical hookup



1.3 Pin descriptions

1.3.1 Power supply (V_{CC})

This pin is used to provide the power to the Smart Reset™ device and to monitor the power supply. A 0.1 μF decoupling ceramic capacitor is recommended to be connected between the V_{CC} and V_{SS} pins.

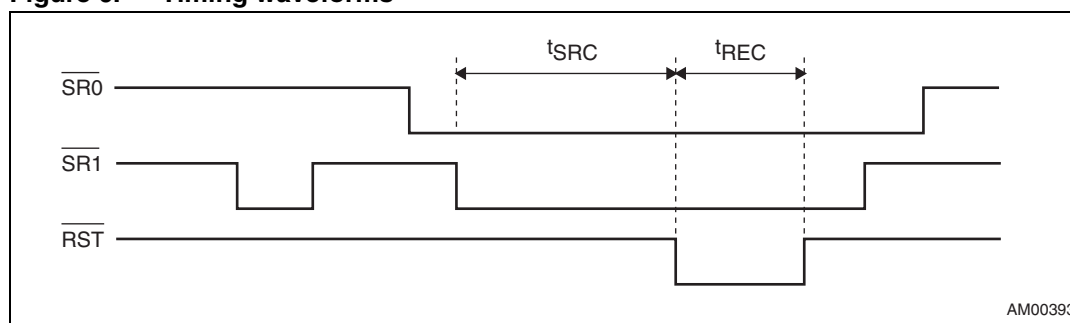
1.3.2 Ground (V_{SS})

This is the supply ground for the device.

1.3.3 Smart Reset™ push-button inputs (SR₀, SR₁)

Both SR₀ and SR₁ need to be held active at the same time for at least t_{SRC} to activate the reset output pulse. Include an internal 65 kΩ pull-up resistor to V_{CC} for each input.

Figure 6. Timing waveforms



1.3.4 Adjustable delay of Smart Reset™ input (SRC pin)

This pin controls the setup time before the push-button action is validated by the reset output. It is connected to an external capacitor (C_{SRC}), which is tied to ground to provide the desired value of setup time (t_{SRC}).

Calculated t_{SRC} and C_{SRC} examples are given in Table 2. Refer also to Table 6.

Table 2. t_{SRC} programmed by an ideal external capacitor

Calculated C _{SRC} value [μF]	Setup delay t _{SRC} [s] ⁽¹⁾⁽²⁾			Closest common C _{SRC} value [μF]
	Min.	Typ.	Max.	
0.2	2	3	4	0.22
0.3	3	4.5	6	0.33
0.6	6	9	12	0.56
1	10	15	20	1

1. Example calculations based on an ideal capacitor. During application design and component selection it should be considered that the current flowing into the external t_{SRC} programming capacitor (C_{SRC}) is on the order of 100 nA, therefore a low-leakage capacitor (ceramic or film capacitor) and an adequate PCB environment should be used to prevent t_{SRC} accuracy from being affected. A recommended minimum value of C_{SRC} is 0.01 μF.
2. In case of repeated activations of the t_{SRC} counter, an interval of 10 ms min. is needed between the activations to fully discharge C_{SRC}, so that the next t_{SRC} is as specified.

1.3.5 Reset output ($\overline{\text{RST}}$)

$\overline{\text{RST}}$ is active-low, open-drain.

1.3.6 Adjustable reset timeout (TREC_{ADJ} pin)

The reset timeout (t_{REC}) is adjustable by connecting an external capacitor C_{tREC} to this pin. Calculated t_{REC} and C_{tREC} examples are given in [Table 3](#). Refer also to [Table 6](#).

Table 3. t_{REC} programmed by an ideal external capacitor

Calculated C_{tREC} value [μF]	t_{REC} [ms] ⁽¹⁾⁽²⁾			Closest common C_{tREC} value [μF]
	Min.	Typ.	Max.	
0.001	10	15	20	0.001
0.002	20	30	40	0.0022
0.01	100	150	200	0.01
0.014	140	210	280	0.015
0.028	280	420	560	0.027
0.056	560	840	1120	0.056
0.112	1120	1680	2240	0.1

1. Example calculations based on an ideal capacitor. During application design and component selection it should be considered that the current flowing into the external t_{REC} programming capacitor (C_{tREC}) is on the order of 100 nA, therefore a low-leakage capacitor (ceramic or film capacitor) and an adequate PCB environment should be used to prevent t_{REC} accuracy from being affected. A recommended minimum value of C_{tREC} is 0.001 μF .
2. In case of repeated activations of the t_{REC} counter, an interval of 10 ms min. is needed between t_{REC} intervals to fully discharge C_{tREC} , so that the next t_{REC} is as specified.

2 Typical operating characteristics

Figure 7. Supply current (I_{CC}) vs. temperature

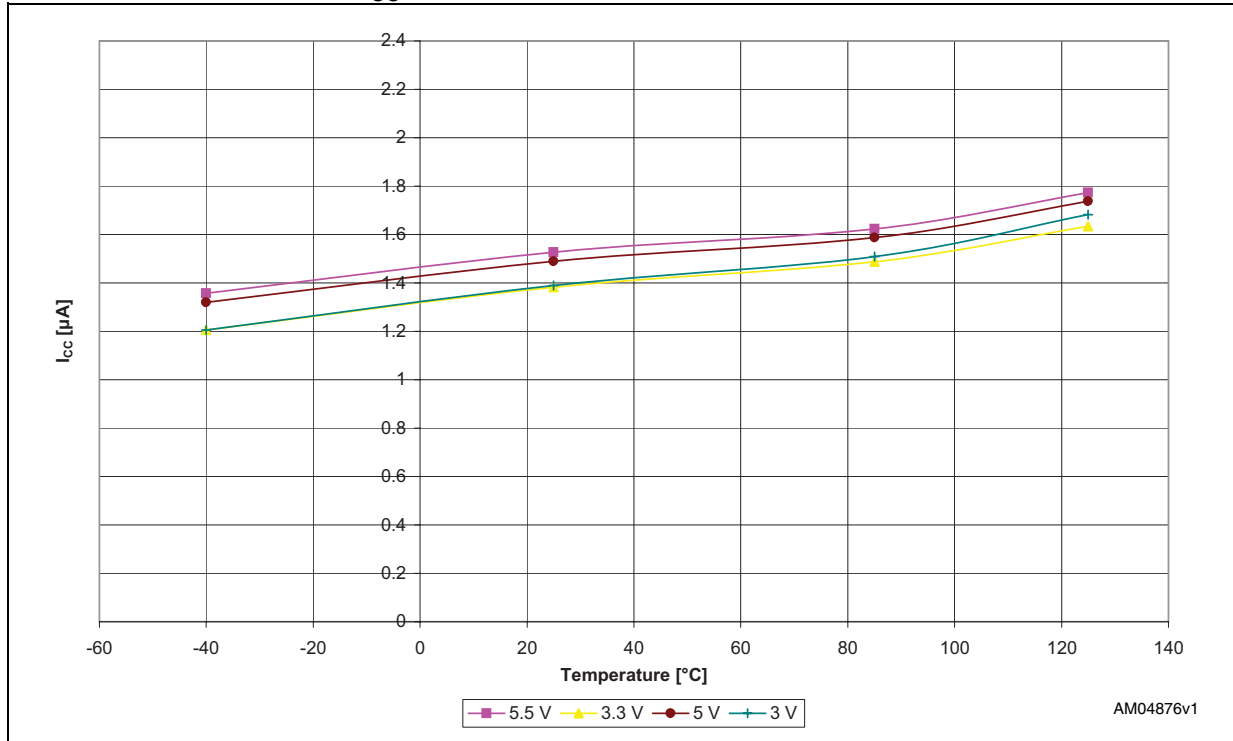


Figure 8. Smart Reset™ delay (t_{SRC}) vs. temperature, $C_{SRC} = 0.56 \mu$ F

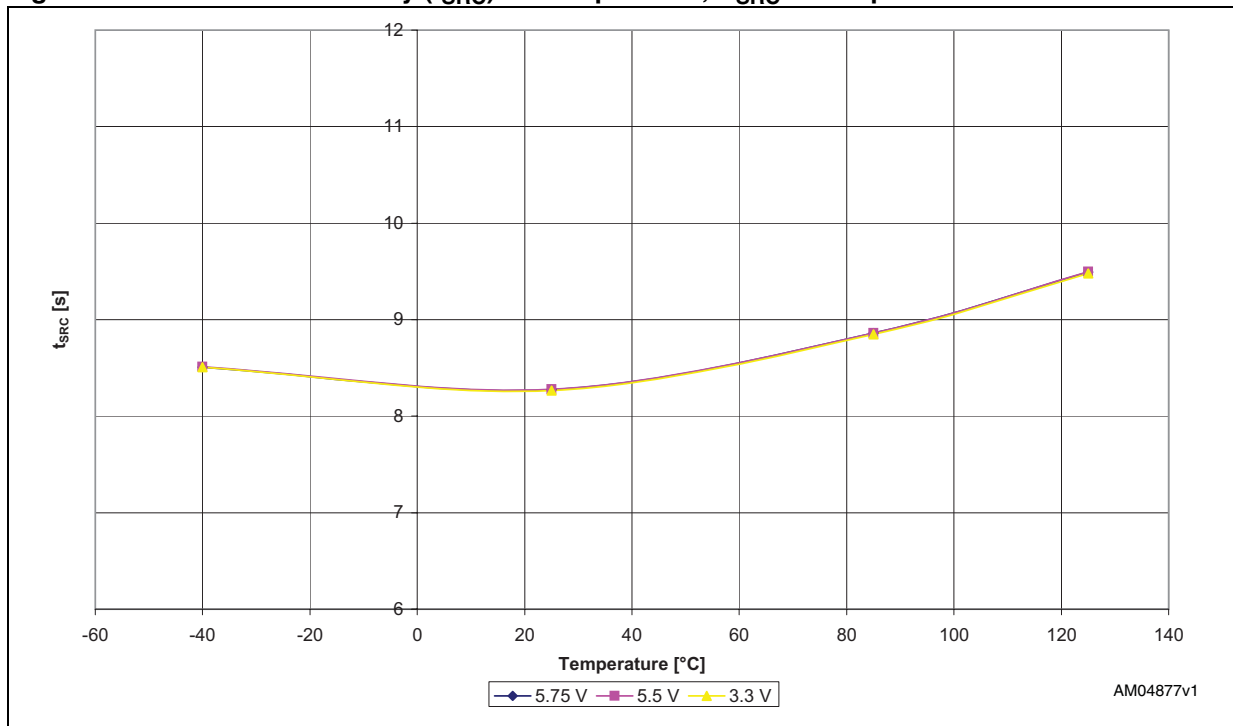


Figure 9. Reset timeout period (t_{REC}) vs. temperature, $C_{tREC} = 0.01 \mu F$

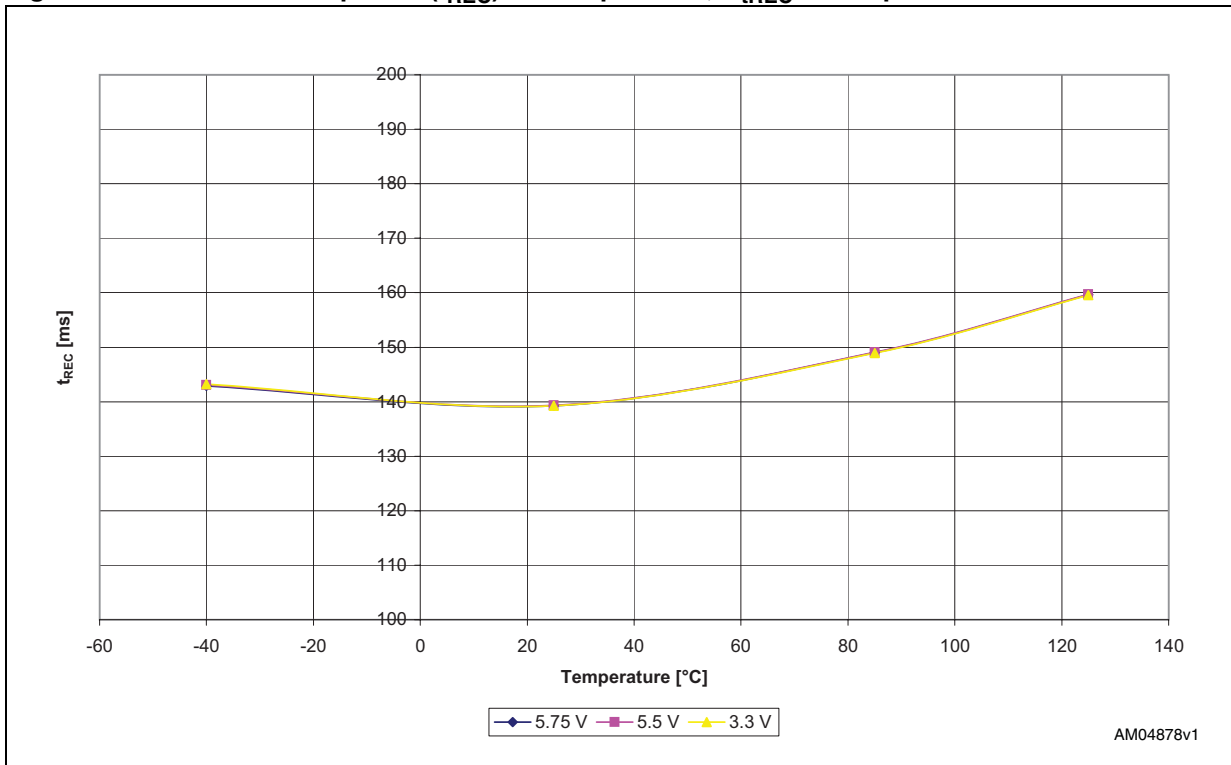
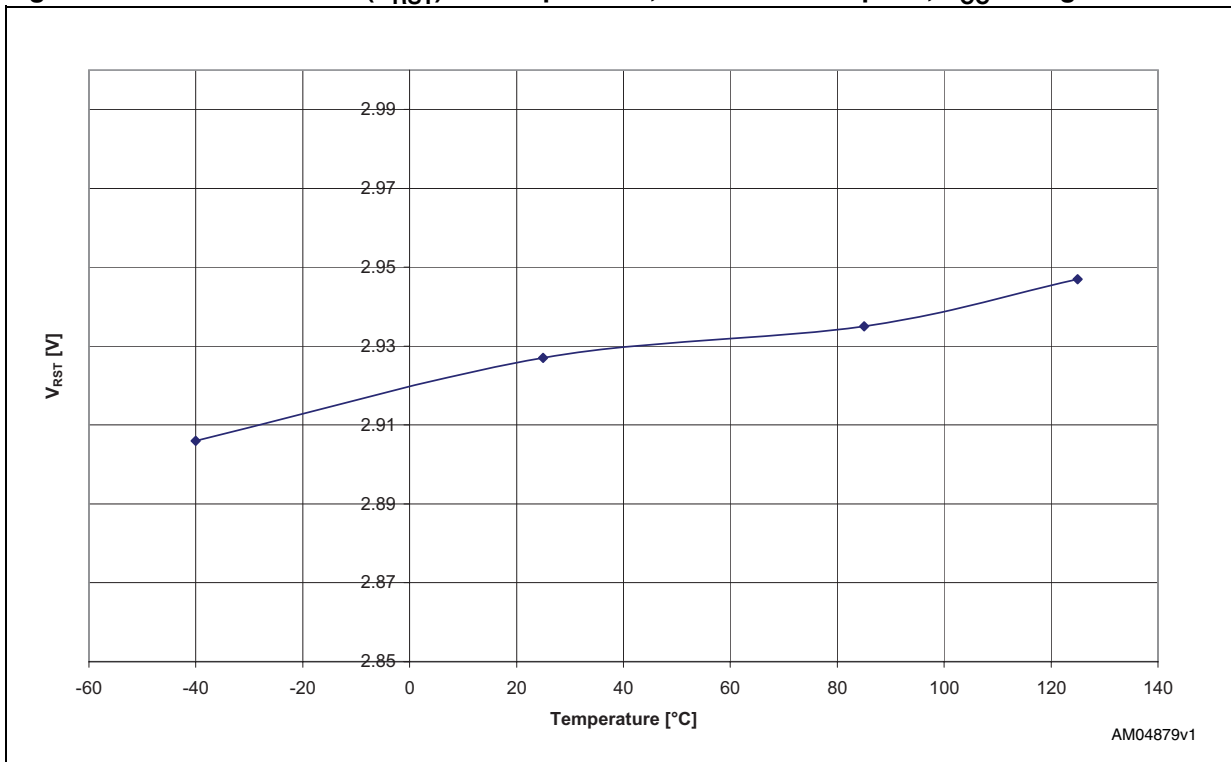


Figure 10. Reset threshold (V_{RST}) vs. temperature, “S” threshold option, V_{CC} falling



3 Maximum ratings

Stressing the device above the rating listed in the [Table 4: Absolute maximum ratings](#) may cause permanent damage to the device. These are stress ratings only and operation of the device at these or any other conditions above those indicated in the Operating sections of this specification is not implied. Exposure to absolute maximum rating conditions for extended periods may affect device reliability. Refer also to the STMicroelectronics™ SURE Program and other relevant quality documents.

Table 4. Absolute maximum ratings

Symbol	Parameter		Value	Unit
T_{STG}	Storage temperature (V_{CC} off)		-55 to +150	°C
$T_{SLD}^{(1)}$	Lead solder temperature for 10 seconds		260	°C
θ_{JA}	Thermal resistance (junction to ambient)	TDFN8	149.0	°C/W
V_{IO}	Input or output voltage		-0.3 to $V_{CC} + 0.3$	V
V_{CC}	Supply voltage		-0.3 to 7	V

1. Reflow at peak temperature of 260 °C. The time above 255 °C must not exceed 30 seconds.

4 DC and AC parameters

This section summarizes the operating measurement conditions, and the DC and AC characteristics of the device. The parameters in the [Table 6: DC and AC characteristics](#) that follow, are derived from tests performed under the Measurement Conditions summarized in [Table 5: Operating and measurement conditions](#). Designers should check that the operating conditions in their circuit match the operating conditions when relying on the quoted parameters.

Table 5. Operating and measurement conditions

Parameter	Value	Unit
V _{CC} supply voltage	1.0 to 5.5	V
Ambient operating temperature (T _A)	-40 to +85	°C
Input rise and fall times	≤ 5	ns
Input pulse voltages	0.2 to 0.8 V _{CC}	V
Input and output timing ref. voltages	0.3 to 0.7 V _{CC}	V

Figure 11. AC testing input/output waveforms

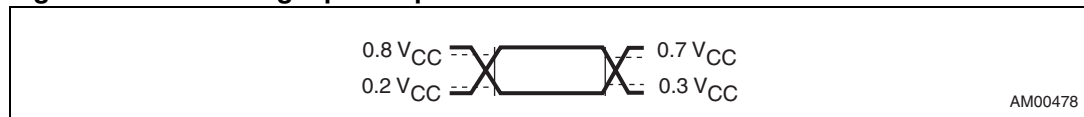


Table 6. DC and AC characteristics

Symbol	Parameter	Test conditions ⁽¹⁾	Min.	Typ. ⁽²⁾	Max.	Units
V _{CC}	Supply voltage range	Reset output valid - active-low	1.0		5.5	V
I _{CC}	Supply current (V _{CC})	V _{CC} = 5.0 V		1.5	2.4	μA
		V _{CC} = 3.0 V ⁽³⁾		1.4		μA
V _{OL}	Reset output voltage low	V _{CC} ≥ 4.5 V, sinking 3.2 mA			0.3	V
		V _{CC} ≥ 3.3 V, sinking 2.5 mA			0.3	V
		V _{CC} ≥ 1.0 V, sinking 0.1 mA			0.3	V
V _{RST}	V _{CC} undervoltage reset threshold (refer to Table 7)	-40 to +85 °C	V _{RST} -2.5%	V _{RST}	V _{RST} +2.5%	V
		25 °C	V _{RST} -2.0%	V _{RST}	V _{RST} +2.0%	V
V _{HYST}	Hysteresis of V _{RST}	L, M		0.5%		
		T, S, R, Z, Y, W, V		1%		
	V _{CC} to reset delay ⁽⁴⁾	V _{CC} falling from (V _{RST} + 100 mV) to (V _{RST} - 100 mV) at 10 mV/μs		20		μs
t _{REC} ⁽⁴⁾	User-adjustable reset timeout period on RST. Refer to Table 3 .		10 000 x C _{tREC} (μF)	15 000 x C _{tREC} (μF)	20 000 x C _{tREC} (μF)	ms
Smart Reset™ inputs						
t _{SRC} ⁽⁵⁾	User-adjustable delayed Smart Reset™ setup time. Refer to Table 2 .		10 x C _{SRC} (μF)	15 x C _{SRC} (μF)	20 x C _{SRC} (μF)	s
V _{IL}	$\overline{SR0}$, $\overline{SR1}$ input voltage low				0.3 V _{CC}	V
V _{IH}	$\overline{SR0}$, $\overline{SR1}$ input voltage high		0.7 V _{CC}			V
R _{PUI}	Internal pull-up resistor, $\overline{SR0}$, $\overline{SR1}$ inputs			65		kΩ

- Valid for ambient operating temperature: T_A = -40 to +85 °C; V_{CC} = 1.0 to 5.5 V (except where noted).
- Typical value is at 25 °C and V_{CC} = 3.3 V unless otherwise noted.
- For devices with V_{RST} < 3.0 V.
- Guaranteed by design.
- Input glitch immunity is equal to t_{SRC} (when both SR inputs are low, otherwise infinite).

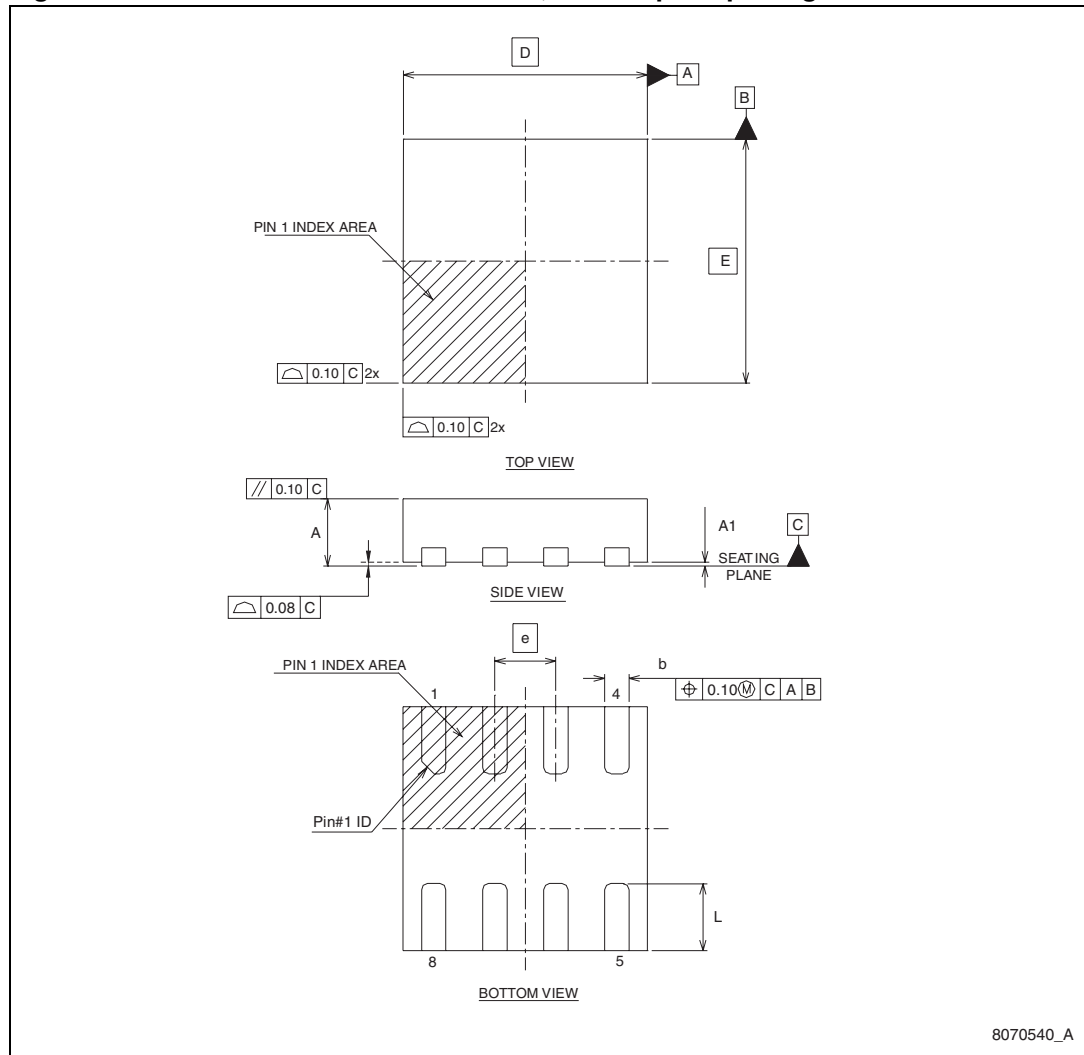
Table 7. Possible V_{CC} voltage thresholds

V_{CC} voltage threshold V_{RST}	Typ.	$\pm 2.5\%$ ($-40\text{ }^{\circ}\text{C}$ to $+85\text{ }^{\circ}\text{C}$)		$\pm 2.0\%$ ($25\text{ }^{\circ}\text{C}$)		Unit
		Min.	Max.	Min.	Max.	
L (falling)	4.625	4.509	4.741	4.533	4.718	V
M (falling)	4.375	4.266	4.484	4.288	4.463	V
T (falling)	3.075	2.998	3.152	3.014	3.137	V
S (falling)	2.925	2.852	2.998	2.867	2.984	V
R (falling)	2.625	2.559	2.691	2.573	2.678	V
Z (falling)	2.313	2.255	2.371	2.267	2.359	V
Y (falling)	2.188	2.133	2.243	2.144	2.232	V
W (falling)	1.665	1.623	1.707	1.632	1.698	V
V (falling)	1.575	1.536	1.614	1.544	1.607	V

5 Package mechanical data

In order to meet environmental requirements, ST offers these devices in different grades of ECOPACK[®] packages, depending on their level of environmental compliance. ECOPACK[®] specifications, grade definitions and product status are available at: www.st.com. ECOPACK[®] is an ST trademark.

Figure 12. TDFN – 8-lead 2 x 2 x 0.75 mm, 0.5 mm pitch package outline



8070540_A

Table 8. TDFN – 8-lead 2 x 2 x 0.75 mm, 0.5 mm pitch package mechanical data

Symbol	Dimension (mm)			Dimension (inches)		
	Min.	Nom.	Max.	Min.	Nom.	Max.
A	0.70	0.75	0.80	0.028	0.030	0.031
A1	0.00	0.02	0.05	0.000	0.001	0.002
b	0.15	0.20	0.25	0.006	0.008	0.010
D BSC		2.00			0.079	
E BSC		2.00			0.079	
e		0.50			0.020	
L	0.45	0.55	0.65	0.018	0.022	0.026

Figure 13. Landing pattern - TDFN – 8-lead 2 x 2 mm without thermal pad

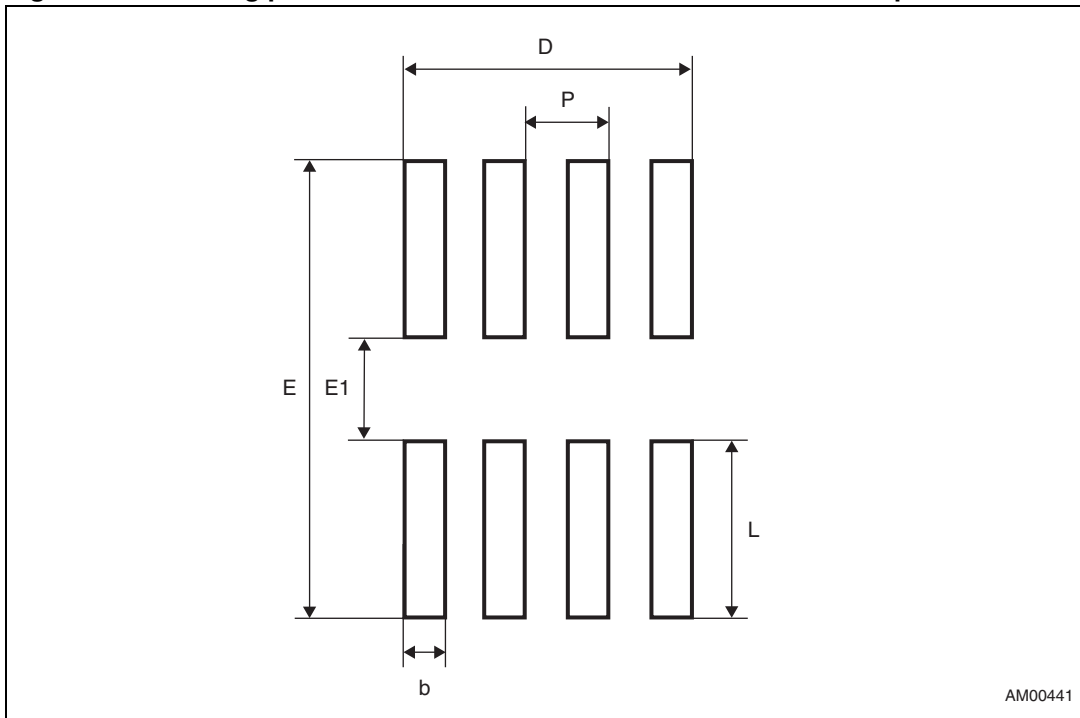


Table 9. Parameter for landing pattern - TDFN – 8-lead 2 x 2 mm package

Parameter	Description	Dimension (mm)		
		Min.	Nom.	Max.
L	Contact length	1.05	—	1.15
b	Contact width	0.25	—	0.30
E	Max. land pattern Y-direction	—	2.75	—
E1	Contact gap spacing	—	0.65	—
D	Max. land pattern X-direction	—	1.75	—
P	Contact pitch	—	0.5	—

Figure 14. Carrier tape

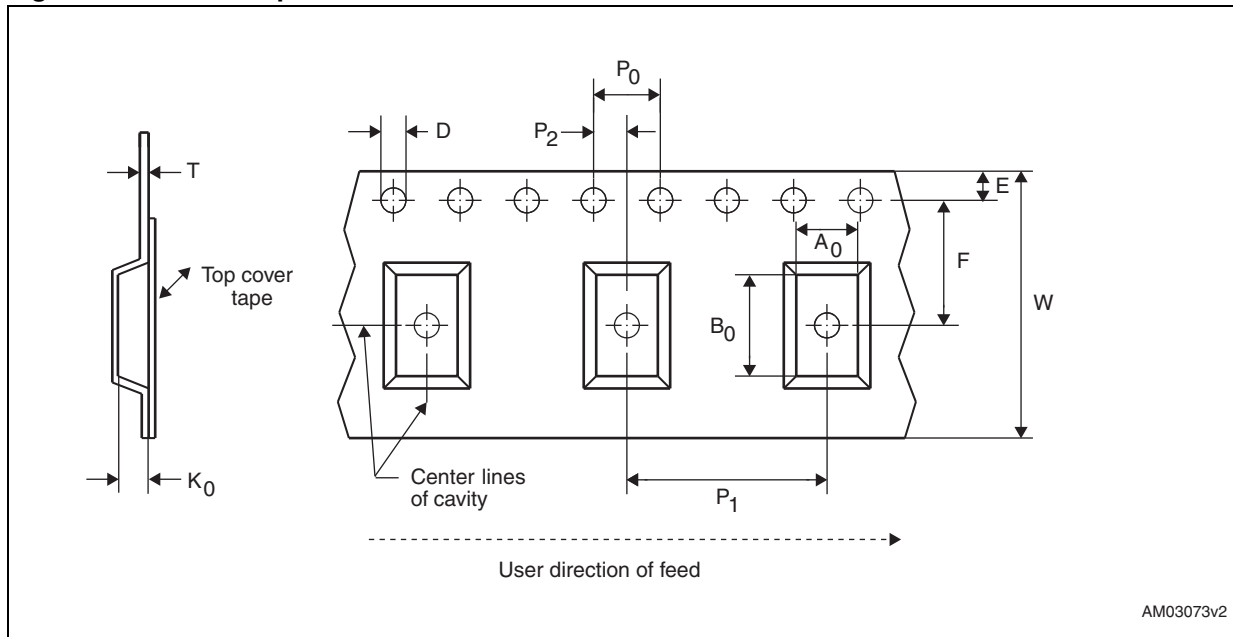


Table 10. Carrier tape dimensions

Package	W	D	E	P ₀	P ₂	F	A ₀	B ₀	K ₀	P ₁	T	Unit	Bulk qty.
TDFN8	8.00 +0.30 -0.10	1.50 +0.10/ -0.00	1.75 ±0.10	4.00 ±0.10	2.00 ±0.10	3.50 ±0.05	2.30 ±0.05	2.30 ±0.05	1.00 ±0.05	4.00 ±0.10	0.250 ±0.05	mm	3000

Figure 15. Reel dimensions

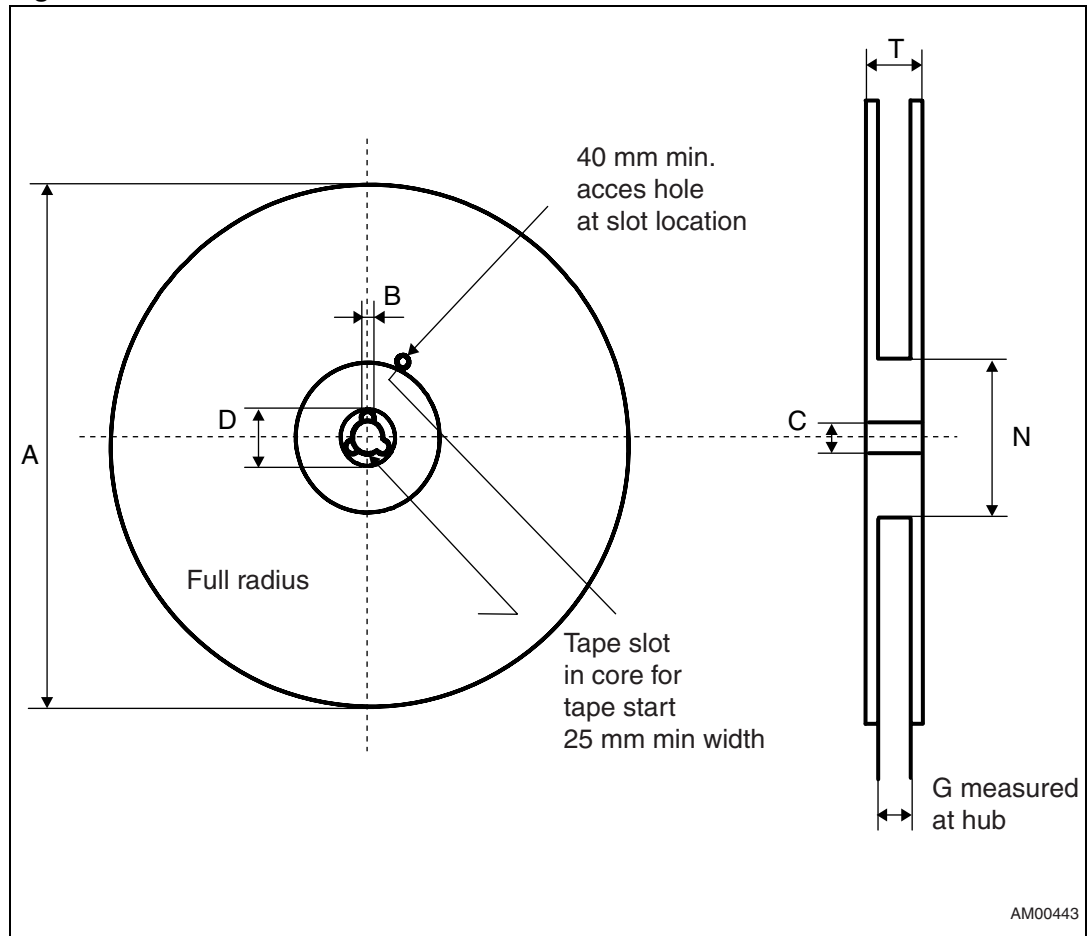


Table 11. Reel dimensions

Tape sizes	A max.	B min.	C	D min.	N min.	G	T max.
8 mm	180 (7 inches)	1.50	13.0 +/- 0.20	20.20	60	8.4 +2/-0	14.40

Figure 16. Tape trailer/leader

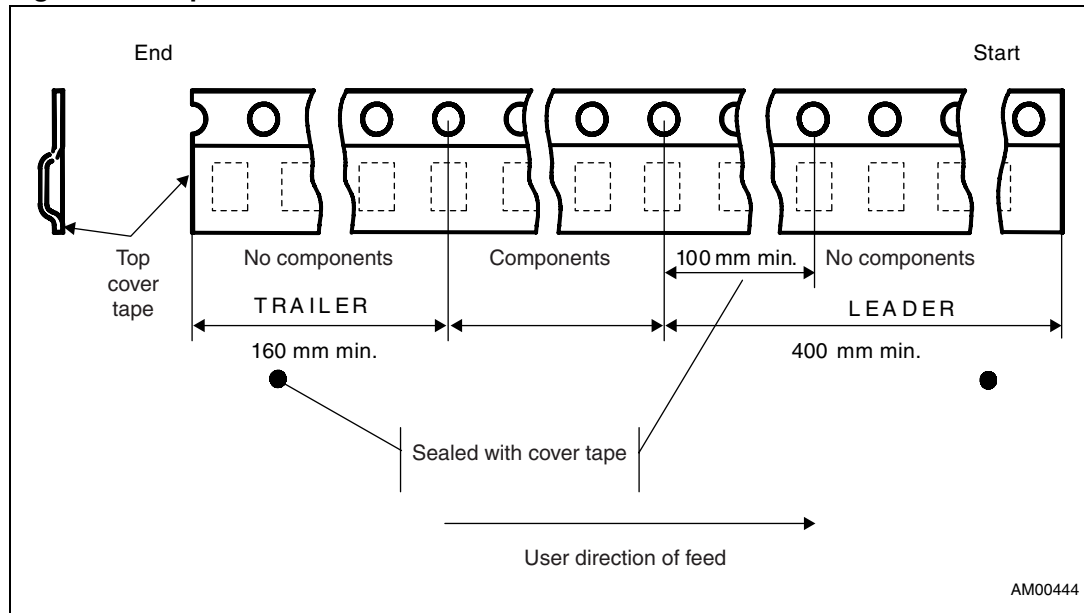
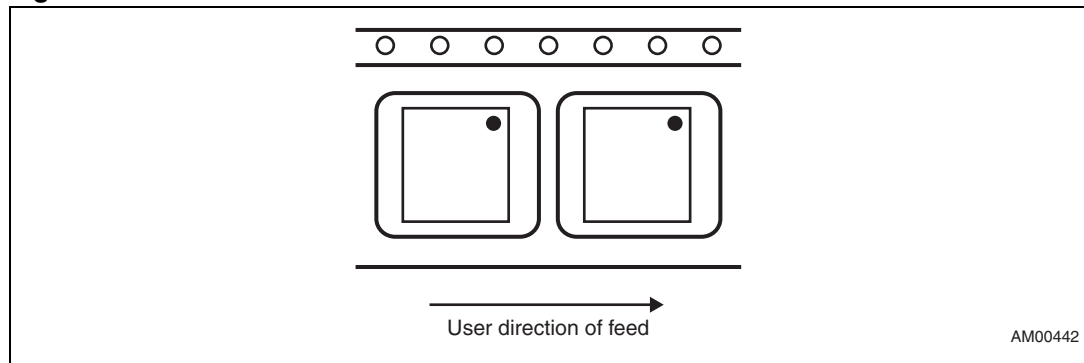


Figure 17. Pin 1 orientation



- Note: 1 Drawings are not to scale.
2 All dimensions are in mm, unless otherwise noted.

6 Part numbering

Table 12. Ordering information scheme

Example:

STM6510 W C A C DG 6 F

Device type

STM6510

Reset (V_{CC} monitoring threshold) voltage V_{RST}

L = 4.625 V (typ., falling)

M = 4.375 V

T = 3.075 V

S = 2.925 V

R = 2.625 V

Z = 2.313 V

Y = 2.188 V

W = 1.665 V

V = 1.575 V

Smart Reset™ setup delay control (t_{SRC}); presence of internal input pull-up on all Smart Reset™ inputs ($\overline{SR0}$, $\overline{SR1}$)

C = 1 to 15 s, user-programmable (external capacitor); 65 k Ω input pull-up

Output type

A = open-drain, active-low

Reset timeout period (t_{REC})

C = user-programmable (external capacitor)

Package

DG = TDFN8 - 2 x 2 x 0.75 mm, 0.5 mm pitch

Temperature range

6 = -40 °C to +85 °C

Shipping method

F = ECOPACK® package, tape and reel

For device options currently available refer to [Table 13](#). For other options, voltage threshold values etc. or for more information on any aspect of this device, please contact the ST sales office nearest you.

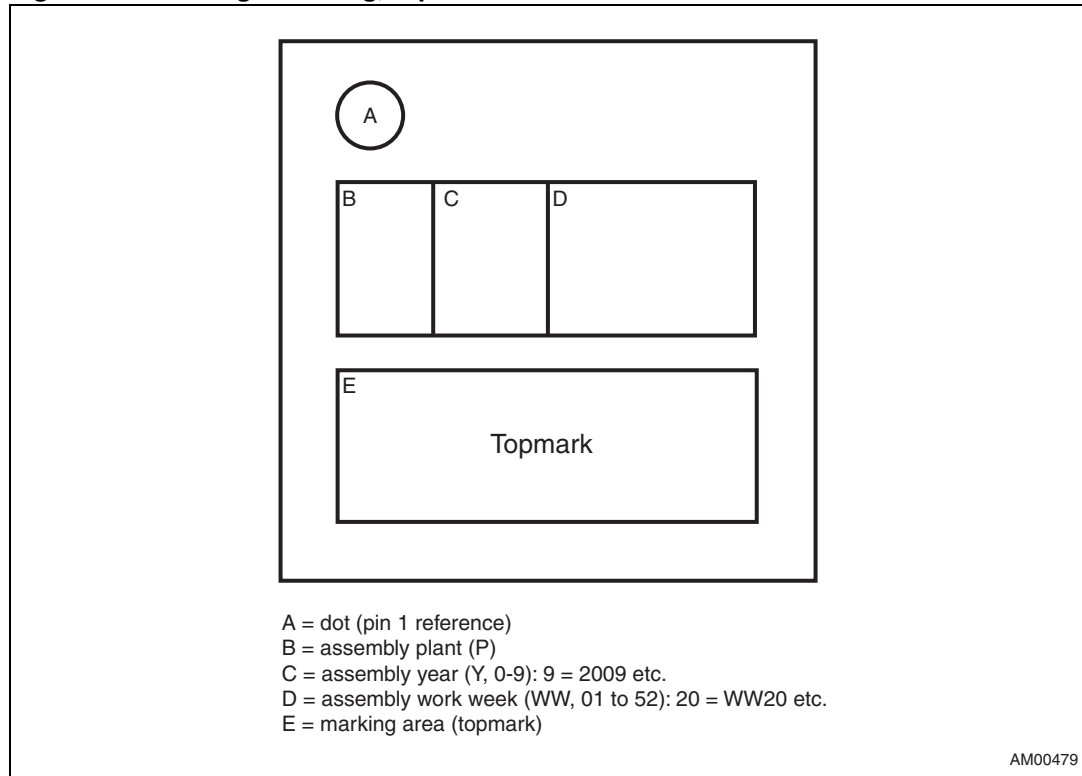
7 Package marking

Table 13. Package marking

Part name	t _{SRC} delay control	Smart Reset™ inputs type	V _{RST}	Reset output type	t _{REC} programming	Topmark
STM6510WCACDG6F	C _{SRC}	AL, PU	W	AL, OD	C _{tREC}	8WK
STM6510SCACDG6F	C _{SRC}	AL, PU	S	AL, OD	C _{tREC}	8SK
STM6510RCACDG6F	C _{SRC}	AL, PU	R	AL, OD	C _{tREC}	8RK

Note: AL = Active-Low, AH = Active-High; PU = with internal pull-up resistor, OD = Open-Drain.

Figure 18. Package marking, top view



8 Revision history

Table 14. Document revision history

Date	Revision	Changes
12-Feb-2010	1	Initial release.
26-Feb-2010	2	Updated title of datasheet, <i>Features, Applications</i> ; updated footnote 1 of <i>Table 2</i> ; updated <i>Table 6, 12, 13; Figure 3; Section 1.3.3</i> ; minor textual and formatting changes.

Please Read Carefully:

Information in this document is provided solely in connection with ST products. STMicroelectronics NV and its subsidiaries ("ST") reserve the right to make changes, corrections, modifications or improvements, to this document, and the products and services described herein at any time, without notice.

All ST products are sold pursuant to ST's terms and conditions of sale.

Purchasers are solely responsible for the choice, selection and use of the ST products and services described herein, and ST assumes no liability whatsoever relating to the choice, selection or use of the ST products and services described herein.

No license, express or implied, by estoppel or otherwise, to any intellectual property rights is granted under this document. If any part of this document refers to any third party products or services it shall not be deemed a license grant by ST for the use of such third party products or services, or any intellectual property contained therein or considered as a warranty covering the use in any manner whatsoever of such third party products or services or any intellectual property contained therein.

UNLESS OTHERWISE SET FORTH IN ST'S TERMS AND CONDITIONS OF SALE ST DISCLAIMS ANY EXPRESS OR IMPLIED WARRANTY WITH RESPECT TO THE USE AND/OR SALE OF ST PRODUCTS INCLUDING WITHOUT LIMITATION IMPLIED WARRANTIES OF MERCHANTABILITY, FITNESS FOR A PARTICULAR PURPOSE (AND THEIR EQUIVALENTS UNDER THE LAWS OF ANY JURISDICTION), OR INFRINGEMENT OF ANY PATENT, COPYRIGHT OR OTHER INTELLECTUAL PROPERTY RIGHT.

UNLESS EXPRESSLY APPROVED IN WRITING BY AN AUTHORIZED ST REPRESENTATIVE, ST PRODUCTS ARE NOT RECOMMENDED, AUTHORIZED OR WARRANTED FOR USE IN MILITARY, AIR CRAFT, SPACE, LIFE SAVING, OR LIFE SUSTAINING APPLICATIONS, NOR IN PRODUCTS OR SYSTEMS WHERE FAILURE OR MALFUNCTION MAY RESULT IN PERSONAL INJURY, DEATH, OR SEVERE PROPERTY OR ENVIRONMENTAL DAMAGE. ST PRODUCTS WHICH ARE NOT SPECIFIED AS "AUTOMOTIVE GRADE" MAY ONLY BE USED IN AUTOMOTIVE APPLICATIONS AT USER'S OWN RISK.

Resale of ST products with provisions different from the statements and/or technical features set forth in this document shall immediately void any warranty granted by ST for the ST product or service described herein and shall not create or extend in any manner whatsoever, any liability of ST.

ST and the ST logo are trademarks or registered trademarks of ST in various countries.

Information in this document supersedes and replaces all information previously supplied.

The ST logo is a registered trademark of STMicroelectronics. All other names are the property of their respective owners.

© 2010 STMicroelectronics - All rights reserved

STMicroelectronics group of companies

Australia - Belgium - Brazil - Canada - China - Czech Republic - Finland - France - Germany - Hong Kong - India - Israel - Italy - Japan - Malaysia - Malta - Morocco - Philippines - Singapore - Spain - Sweden - Switzerland - United Kingdom - United States of America

www.st.com

Данный компонент на территории Российской Федерации

Вы можете приобрести в компании MosChip.

Для оперативного оформления запроса Вам необходимо перейти по данной ссылке:

<http://moschip.ru/get-element>

Вы можете разместить у нас заказ для любого Вашего проекта, будь то серийное производство или разработка единичного прибора.

В нашем ассортименте представлены ведущие мировые производители активных и пассивных электронных компонентов.

Нашей специализацией является поставка электронной компонентной базы двойного назначения, продукции таких производителей как XILINX, Intel (ex.ALTERA), Vicor, Microchip, Texas Instruments, Analog Devices, Mini-Circuits, Amphenol, Glenair.

Сотрудничество с глобальными дистрибьюторами электронных компонентов, предоставляет возможность заказывать и получать с международных складов практически любой перечень компонентов в оптимальные для Вас сроки.

На всех этапах разработки и производства наши партнеры могут получить квалифицированную поддержку опытных инженеров.

Система менеджмента качества компании отвечает требованиям в соответствии с ГОСТ Р ИСО 9001, ГОСТ РВ 0015-002 и ЭС РД 009

Офис по работе с юридическими лицами:

105318, г.Москва, ул.Щербаковская д.3, офис 1107, 1118, ДЦ «Щербаковский»

Телефон: +7 495 668-12-70 (многоканальный)

Факс: +7 495 668-12-70 (доб.304)

E-mail: info@moschip.ru

Skype отдела продаж:

moschip.ru

moschip.ru_4

moschip.ru_6

moschip.ru_9