



## Main

Range of product	Altistart U01 and TeSys U
Product or component type	Soft starter
Product destination	Asynchronous motors
Product specific application	Simple machine
Device short name	ATSU01
Phase	3 phases
[Us] rated supply voltage	200...480 V - 10...10 %
Motor power kW	2.2 kW 3 phases 230 V 5.5 kW 3 phases 400 V 3 kW 3 phases 230 V
Motor power hp	3 hp 3 phases 230 V 7.5 hp 3 phases 460 V
IcL starter rating	12 A
Utilisation category	AC-53B EN/IEC 60947-4-2
Current consumption	65 mA
Type of start	Start with voltage ramp
Power dissipation in W	1.5 W at full load and at end of starting 121.5 W in transient state

## Complementary

Assembly style	With heat sink
Function available	Integrated bypass
Supply voltage limits	180...528 V
Supply frequency	50...60 Hz - 5...5 %
Network frequency	47.5...63 Hz
Output voltage	<= power supply voltage
[Uc] control circuit voltage	24 V DC +/- 10 %
Starting time	Adjustable from 1 to 10 s 1 s 100 10 s 10 5 s 20
Deceleration time symb	Adjustable from 1 to 10 s
Starting torque	30...80 % of starting torque of motor connected directly on the line supply
Discrete input type	Logic LI1, LI2, BOOST stop, run and boost on start-up functions <= 8 mA 27 kOhm
Discrete input voltage	24...40 V
Input output isolation	Galvanic between power and control
Discrete input logic	Positive LI1, LI2, BOOST < 5 V and <= 0.2 mA > 13 V >= 0.5 mA
Discrete output current	2 A DC-13 3 A AC-15
Discrete output type	Open collector logic LO1 end of starting signal Relay outputs R1A, R1C NO
Discrete output voltage	24 V 6...30 V open collector logic
Minimum switching current	10 mA 6 V DC relay outputs
Maximum switching current	2 A 30 V DC inductive cos phi = 0.5 20 ms relay outputs 2 A 250 V AC AC-15 inductive cos phi = 0.5 20 ms relay outputs
Maximum switching voltage	440 V relay outputs
Display type	1 LED green starter powered up 1 LED yellow nominal voltage reached
Tightening torque	4.42 lbf.in (0.5 N.m) 16.81...22.12 lbf.in (1.9...2.5 N.m)
Electrical connection	4 mm screw clamp terminal rigid 1 1...10 mm <sup>2</sup> AWG 8 power circuit Screw connector rigid 1 0.5...2.5 mm <sup>2</sup> AWG 14 control circuit

The information provided in this documentation contains general descriptions and/or technical characteristics of the performance of the products contained herein. This documentation is not intended as a substitute for and is not to be used for determining suitability or reliability of these products for specific user applications. It is the duty of any such user or integrator to perform the appropriate and complete risk analysis, evaluation and testing of the products with respect to the relevant specific application or use thereof. Neither Schneider Electric Industries SAS nor any of its affiliates or subsidiaries shall be responsible or liable for misuse of the information contained herein.

4 mm screw clamp terminal rigid 2 1...6 mm<sup>2</sup> AWG 10 power circuit  
 Screw connector rigid 2 0.5...1 mm<sup>2</sup> AWG 17 control circuit  
 Screw connector flexible with cable end 1 0.5...1.5 mm<sup>2</sup> AWG 16 control circuit  
 4 mm screw clamp terminal flexible without cable end 1 1.5...10 mm<sup>2</sup> AWG 8 power circuit  
 Screw connector flexible without cable end 1 0.5...2.5 mm<sup>2</sup> AWG 14 control circuit  
 4 mm screw clamp terminal flexible with cable end 2 1...6 mm<sup>2</sup> AWG 10 power circuit  
 4 mm screw clamp terminal flexible without cable end 2 1.5...6 mm<sup>2</sup> AWG 10 power circuit  
 Screw connector flexible without cable end 2 0.5...1.5 mm<sup>2</sup> AWG 16 control circuit

Marking	CE
Operating position	Vertical +/- 10 degree
Height	9.21 in (234 mm)
Width	1.77 in (45 mm)
Depth	5.91 in (150 mm)
Product weight	0.75 lb(US) (0.34 kg)
Power range	2.2...3 kW at 200...240 V 3 phases 4...6 kW at 380...440 V 3 phases
Motor starter type	Soft starter

## Environment

electromagnetic compatibility	EMC immunity EN 50082-1 Damped oscillating waves level 3 IEC 61000-4-12 Electrostatic discharge level 3 IEC 61000-4-2 Immunity to electrical transients level 4 IEC 61000-4-4 Immunity to radiated radio-electrical interference level 3 IEC 61000-4-3 Voltage/current impulse level 3 IEC 61000-4-5 Conducted and radiated emissions level B CISPR 11 Conducted and radiated emissions level B IEC 60947-4-2 EMC immunity EN 50082-2 Harmonics IEC 1000-3-2 Harmonics IEC 1000-3-4 Conducted and radiated emissions level 3 IEC 61000-4-6 Immunity to conducted interference caused by radio-electrical fields IEC 61000-4-11
standards	EN/IEC 60947-4-2
product certifications	CCC CSA C-Tick UL
IP degree of protection	IP20
pollution degree	2 EN/IEC 60947-4-2
vibration resistance	1.5 mm peak to peak 3...13 Hz EN/IEC 60068-2-6 1 gn 13...150 Hz EN/IEC 60068-2-6
shock resistance	15 gn 11 ms EN/IEC 60068-2-27
relative humidity	5...95 % without condensation or dripping water EN/IEC 60068-2-3
ambient air temperature for operation	14...104 °F (-10...40 °C) without derating 104...122 °F (40...50 °C) with current derating of 2 % per °C
ambient air temperature for storage	-13...158 °F (-25...70 °C) EN/IEC 60947-4-2
operating altitude	<= 3280.84 ft (1000 m) without derating > 3280.84 ft (1000 m) with current derating of 2.2 % per additional 100 m

## Offer Sustainability

WARNING: This product can expose you to chemicals including:	WARNING: This product can expose you to chemicals including:
Lead and lead compounds, which is known to the State of California to cause cancer and birth defects or other reproductive harm.	Lead and lead compounds, which is known to the State of California to cause cancer and birth defects or other reproductive harm.
Bisphenol A (BPA), which is known to the State of California to cause birth defects or other reproductive harm.	Bisphenol A (BPA), which is known to the State of California to cause birth defects or other reproductive harm.
For more information go to <a href="http://www.p65warnings.ca.gov">www.p65warnings.ca.gov</a>	For more information go to <a href="http://www.p65warnings.ca.gov">www.p65warnings.ca.gov</a>

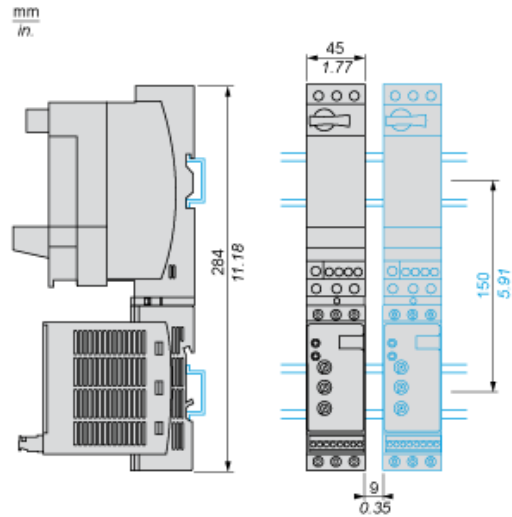
## Contractual warranty

Warranty period	18 months
-----------------	-----------

## Dimensions

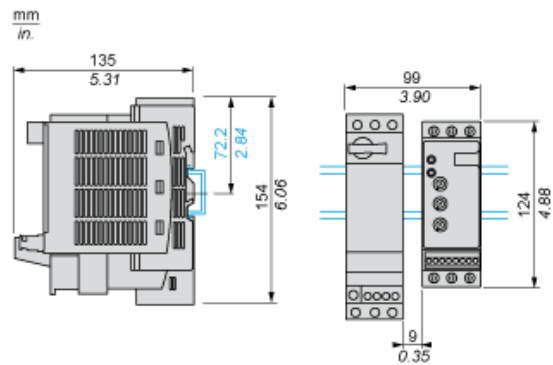
### With TeSys U Combination (Non Reversing Power Base)

Mounting on symmetrical (35 mm) rail with power connector between ATS and TeSys U.

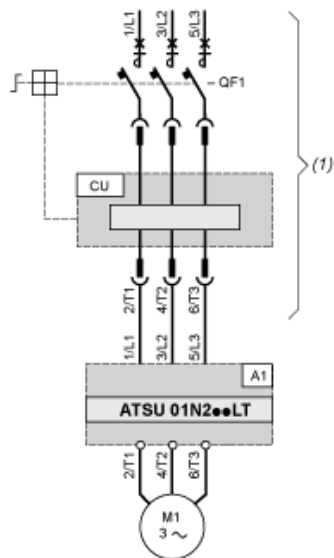


### With TeSys U Combination (Non Reversing or Reversing Power Base)

Side by side mounting



## Power Wiring



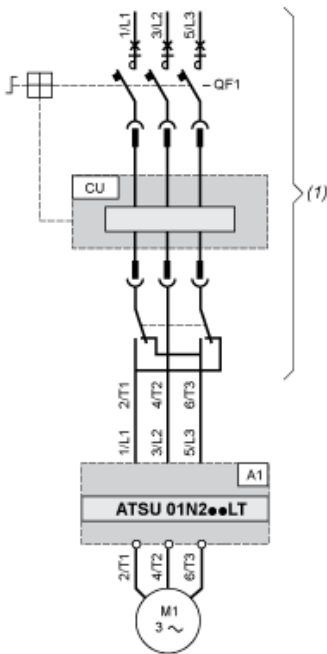
(1) TeSys U

A1 : Soft start/soft stop unit

QF1 : TeSys U controller-starter

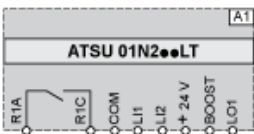
CU : TeSys U control unit

### With Reversing Unit



- (1) TeSys U with reversing unit  
 A1 : Soft start/soft stop unit  
 QF1 :TeSys U controller-starter  
 CU : TeSys U control unit

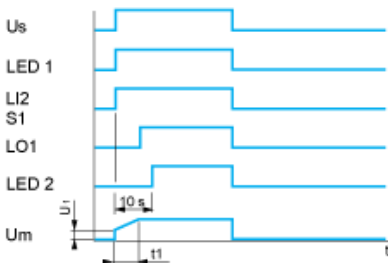
### Control Wiring



- A1 : Soft start/soft stop unit  
 R1A, Relay output NO  
 R1C :  
 COM :Common  
 LI1, Logic inputs (stop and run functions)  
 LI2 :  
 BOOST :Logic input (boost on start-up function)  
 LO1 :Logic output

### Functional Diagram Automatic 2-wire Control

#### Without Deceleration

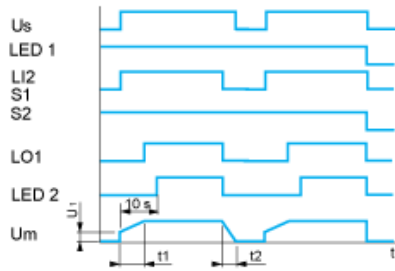


- Us : Power supply voltage  
 LED Green LED  
 1 :  
 LI2 : Logic input  
 S1 : Pushbutton  
 LED Yellow LED  
 2 :  
 Um :Motor voltage

t1 : Acceleration time can be controlled by a potentiometer

U1 : Starting time can be controlled by a potentiometer

### With and without Deceleration



Us : Power supply voltage

LED Green LED

1 :

LI2 : Logic input

S1, Pushbuttons

S2 :

LO1 :Logic output

LED Yellow LED

2 :

Um :Motor voltage

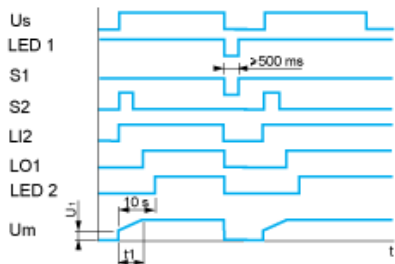
t1 : Acceleration time can be controlled by a potentiometer

t2 : Deceleration time can be controlled by a potentiometer

U1 : Starting time can be controlled by a potentiometer

### Functional Diagram Automatic 3-wire Control

#### Without Deceleration



Us : Power supply voltage

LED Green LED

1 :

S1, Pushbuttons

S2 :

LI2 : Logic input

LO1 :Logic output

LED Yellow LED

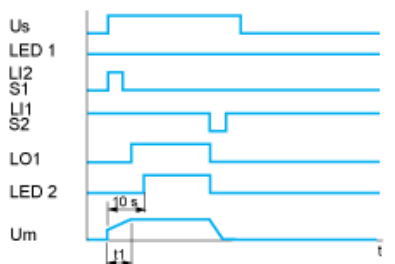
2 :

Um :Motor voltage

t1 : Acceleration time can be controlled by a potentiometer

U1 : Starting time can be controlled by a potentiometer

#### With Deceleration



Us : Power supply voltage

LED Green LED

1 :

S1, Pushbuttons

S2 :

LI1, Logic inputs

LI2 :

LO1 :Logic output

LED Yellow LED

2 :

Um :Motor voltage

t1 : Acceleration time can be controlled by a potentiometer

## Данный компонент на территории Российской Федерации

### Вы можете приобрести в компании MosChip.

Для оперативного оформления запроса Вам необходимо перейти по данной ссылке:

<http://moschip.ru/get-element>

Вы можете разместить у нас заказ для любого Вашего проекта, будь то серийное производство или разработка единичного прибора.

В нашем ассортименте представлены ведущие мировые производители активных и пассивных электронных компонентов.

Нашей специализацией является поставка электронной компонентной базы двойного назначения, продукции таких производителей как XILINX, Intel (ex.ALTERA), Vicor, Microchip, Texas Instruments, Analog Devices, Mini-Circuits, Amphenol, Glenair.

Сотрудничество с глобальными дистрибьюторами электронных компонентов, предоставляет возможность заказывать и получать с международных складов практически любой перечень компонентов в оптимальные для Вас сроки.

На всех этапах разработки и производства наши партнеры могут получить квалифицированную поддержку опытных инженеров.

Система менеджмента качества компании отвечает требованиям в соответствии с ГОСТ Р ИСО 9001, ГОСТ РВ 0015-002 и ЭС РД 009

### Офис по работе с юридическими лицами:

105318, г.Москва, ул.Щербаковская д.3, офис 1107, 1118, ДЦ «Щербаковский»

Телефон: +7 495 668-12-70 (многоканальный)

Факс: +7 495 668-12-70 (доб.304)

E-mail: [info@moschip.ru](mailto:info@moschip.ru)

Skype отдела продаж:

moschip.ru

moschip.ru\_4

moschip.ru\_6

moschip.ru\_9