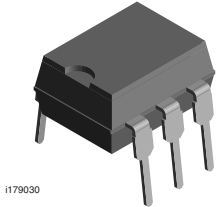
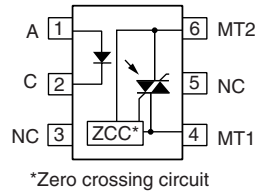


Phototriac, Zero Crossing, 1.5 kV/ μ s dV/dt, 600 V



I179030


FEATURES

- 1500 V/ μ s dV/dt minimum
- 600 V blocking voltage
- 100 mA on-state current
- Zero crossing detector
- Low input trigger current
- 6 pin DIP package
- Lead (Pb)-free component
- Component in accordance to RoHS 2002/95/EC and WEEE 2002/96/EC


RoHS
COMPLIANT

DESCRIPTION

The VO3062/3063 triac driver family consists of a GaAs infrared LED optically coupled to a monolithic photosensitive zero crossing triac detector chip.

The 600 V blocking voltage permits control of off-line voltages up to 240 VAC, with a safety factor of more than two, and is sufficient for as much as 380 V.

APPLICATIONS

- Household appliances
- Triac drive/AC motor drives
- Solenoid/valve controls
- Office automation equipment/machine
- Temperature (HVAC)/lighting controls
- Switching power supply

AGENCY APPROVALS

- UL1577, file no. E52744 system code U/J
- CUL - file no. E52744, equivalent to CSA bulletin 5A
- DIN EN 60747-5-5 (VDE 0884) available with option 1
- BSI IEC 60950

| ORDER INFORMATION | |
|-------------------|--|
| PART | REMARKS |
| VO3063 | DIP-6, ZC, 600 V, $I_{ft} = 5$ mA |
| VO3062 | DIP-6, ZC, 600 V, $I_{ft} = 10$ mA |
| VO3063-X006 | DIP-6 400 mil, ZC, 600 V, $I_{ft} = 5$ mA |
| VO3062-X006 | DIP-6 400 mil, ZC, 600 V, $I_{ft} = 10$ mA |
| VO3063-X007T | SMD-6, ZC, 600 V, $I_{ft} = 5$ mA |
| VO3062-X007T | SMD-6, ZC, 600 V, $I_{ft} = 10$ mA |

Note

For additional information on the available options refer to option information.

| ABSOLUTE MAXIMUM RATINGS | | | | | |
|-----------------------------------|----------------------|-------------|--------------|-------|------|
| PARAMETER | TEST CONDITION | PART | SYMBOL | VALUE | UNIT |
| INPUT | | | | | |
| Reverse voltage | | | V_R | 6 | V |
| Forward current - continuous | | | I_F | 60 | mA |
| Power dissipation | | | P_{diss} | 100 | mW |
| OUTPUT | | | | | |
| Off state output terminal voltage | | VO3062/3063 | V_{DRM} | 600 | V |
| Peak repetitive surge current | PW = 100 ms, 120 pps | | I_{TSM} | 1 | A |
| Power dissipation | | | P_{diss} | 200 | mW |
| On-state RMS current | | | $I_{T(RMS)}$ | 100 | mA |

| ABSOLUTE MAXIMUM RATINGS | | | | | |
|-----------------------------|----------------|------|------------------|---------------|------------------|
| PARAMETER | TEST CONDITION | PART | SYMBOL | VALUE | UNIT |
| COUPLER | | | | | |
| Isolation test voltage | t = 1 s | | V _{ISO} | 5300 | V _{RMS} |
| Total power dissipation | | | P _{tot} | 300 | mW |
| Operating temperature range | | | T _{amb} | - 40 to + 100 | °C |
| Storage temperature range | | | T _{stg} | - 55 to + 150 | °C |
| Soldering temperature | maximum ≤ 10 s | | T _{sld} | 260 | °C |

Note

T_{amb} = 25 °C, unless otherwise specified.

Stresses in excess of the absolute maximum ratings can cause permanent damage to the device. Functional operation of the device is not implied at these or any other conditions in excess of those given in the operational sections of this document. Exposure to absolute maximum ratings for extended periods of the time can adversely affect reliability.



Fig. 1 - On-State Current (RMS) vs. Temperature

Note

The allowable load current was calculated out under a given operating conditions and only for reference:

LED power: Q_E = 0.015 W, R_{BA} (2-layer) = 72 °C/W

| THERMAL CHARACTERISTICS | | | | |
|---|----------------|-------------------|-------|------|
| PARAMETER | TEST CONDITION | SYMBOL | VALUE | UNIT |
| Maximum LED junction temperature | | T _{Jmax} | 125 | °C |
| Maximum output die junction temperature | | T _{Jmax} | 125 | °C |
| Thermal resistance, junction emitter to board | | θ _{JEB} | 150 | °C/W |
| Thermal resistance, junction emitter to case | | θ _{JEC} | 139 | °C/W |
| Thermal resistance, junction detector to board | | θ _{JDB} | 78 | °C/W |
| Thermal resistance, junction detector to case | | θ _{JDC} | 103 | °C/W |
| Thermal resistance, junction emitter to junction detector | | θ _{JED} | 496 | °C/W |
| Thermal resistance, case to ambient | | θ _{CA} | 3563 | °C/W |

Note

The thermal model is represented in the thermal network below. Each resistance value given in this model can be used to calculate the temperatures at each node for a given operating condition. The thermal resistance from board to ambient will be dependent on the type of PCB, layout and thickness of copper traces. For a detailed explanation of the thermal model, please reference Vishay's Thermal Characteristics of Optocouplers Application note.



| ELECTRICAL CHARACTERISTICS | | | | | | | |
|---|--|--------|------------|------|------|------|---------------|
| PARAMETER | TEST CONDITION | PART | SYMBOL | MIN. | TYP. | MAX. | UNIT |
| INPUT | | | | | | | |
| Reverse current | $V_R = 6\text{ V}$ | | I_R | | | 10 | μA |
| Forward voltage | $I_F = 30\text{ mA}$ | | V_F | | 1.2 | 1.5 | V |
| OUTPUT | | | | | | | |
| Leakage with LED off, either direction | $V_{DRM} = 600\text{ V}$ | | I_{DRM} | | 10 | 500 | nA |
| Critical rate of rise off-state voltage | $V_D = 400\text{ V}$ | | dV/dt | 1500 | 2000 | | V/ μ s |
| COUPLER | | | | | | | |
| LED trigger current, current required to latch output | | VO3063 | I_{FT} | | | 5 | mA |
| | | VO3062 | I_{FT} | | | 10 | mA |
| Peak on-state voltage, either direction | $I_{TM} = 100\text{ mA Peak}$ $I_F = \text{Rated } I_{FT}$ | | V_{TM} | | 1.7 | 3 | V |
| Holding current, either direction | | | I_H | | 200 | | μA |
| Inhibit voltage (MT1-MT2 voltage above which device will not trigger) | | | V_{INH} | | 12 | 22 | V |
| Leakage in inhibited state | $I_F = 10\text{ mA maximum}$, at rated V_{DRM} , off state | | V_{DRM2} | | 250 | 1000 | μA |

Note

$T_{amb} = 25\text{ }^\circ\text{C}$, unless otherwise specified.

Minimum and maximum values were tested requirements. Typical values are characteristics of the device and are the result of engineering evaluations. Typical values are for information only and are not part of the testing requirements.

| SAFETY AND INSULATION RATINGS | | | | | | | |
|---|-------------------------|------------|------|----------|----------------|------------|--|
| PARAMETER | TEST CONDITION | SYMBOL | MIN. | TYP. | MAX. | UNIT | |
| Climatic classification | IEC 68 part 1 | | | 40/85/21 | | | |
| Pollution degree | DIN VDE 0109 | | | 2 | | | |
| Comparative tracking index per DIN IEC 112/VDE 0303 part 1, group IIIa per DIN VDE 6110 175 399 | | CTI | 175 | | | | |
| Highest allowable overvoltage | Transient overvoltage | V_{IOTM} | 8000 | | | V_{peak} | |
| Maximum working insulation voltage | Recurring peak voltage | V_{IORM} | 890 | | | V_{peak} | |
| Insulation resistance at 25 $^\circ\text{C}$ | $V_{IO} = 500\text{ V}$ | R_{IS} | | | $\geq 10^{12}$ | Ω | |
| Insulation resistance at T_S | $V_{IO} = 500\text{ V}$ | R_{IS} | | | $\geq 10^9$ | Ω | |
| Insulation resistance at 100 $^\circ\text{C}$ | $V_{IO} = 500\text{ V}$ | R_{IS} | | | $\geq 10^{11}$ | Ω | |

| SAFETY AND INSULATION RATINGS | | | | | | |
|---|--|----------|------|------|------|------------|
| PARAMETER | TEST CONDITION | SYMBOL | MIN. | TYP. | MAX. | UNIT |
| Partial discharge test voltage | Method a, $V_{pd} = V_{IORM} \times 1.875$ | V_{pd} | | | 1325 | V_{peak} |
| Safety limiting values - maximum values allowed in the event of a failure | Safety power rating | P_{SO} | | | 400 | mW |
| | Safety current rating | I_{SI} | | | 150 | mA |
| | Safety temperature rating | T_{SI} | | | 165 | °C |
| Minimum external air gap (clearance) | Measured from input terminals to output terminals, shortest distance through air | | ≥ 7 | | | mm |
| Minimum external tracking (creepage) | Measured from input terminals to output terminals, shortest distance path along body | | ≥ 7 | | | mm |

Note

As per IEC 60747-5-2, 7.4.3.8.1, this optocoupler is suitable for “safe electrical insulation” only within the safety ratings. Compliance with the safety ratings shall be ensured by means of protective circuits.

TYPICAL CHARACTERISTICS

$T_{amb} = 25\text{ °C}$, unless otherwise specified



Fig. 2 - Forward Voltage vs. Forward Current



Fig. 4 - On-State Current vs. V_{TM}



Fig. 3 - Off-State Leakage Current vs. Temperature



Fig. 5 - Normalized Trigger Current vs. Temperature

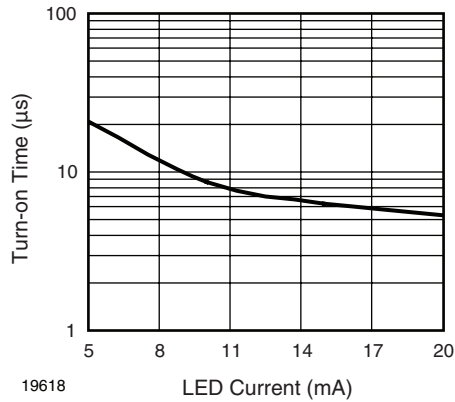


Fig. 6 - Turn-on Time vs. LED Current



Fig. 8 - Turn-on Time vs. Temperature

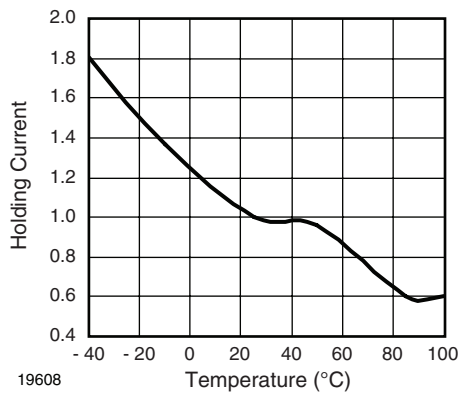


Fig. 7 - Normalized Holding Current vs. Temperature

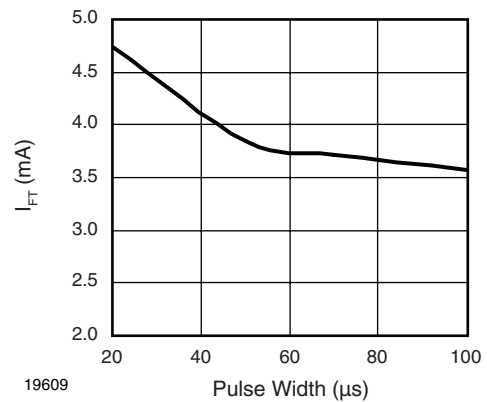
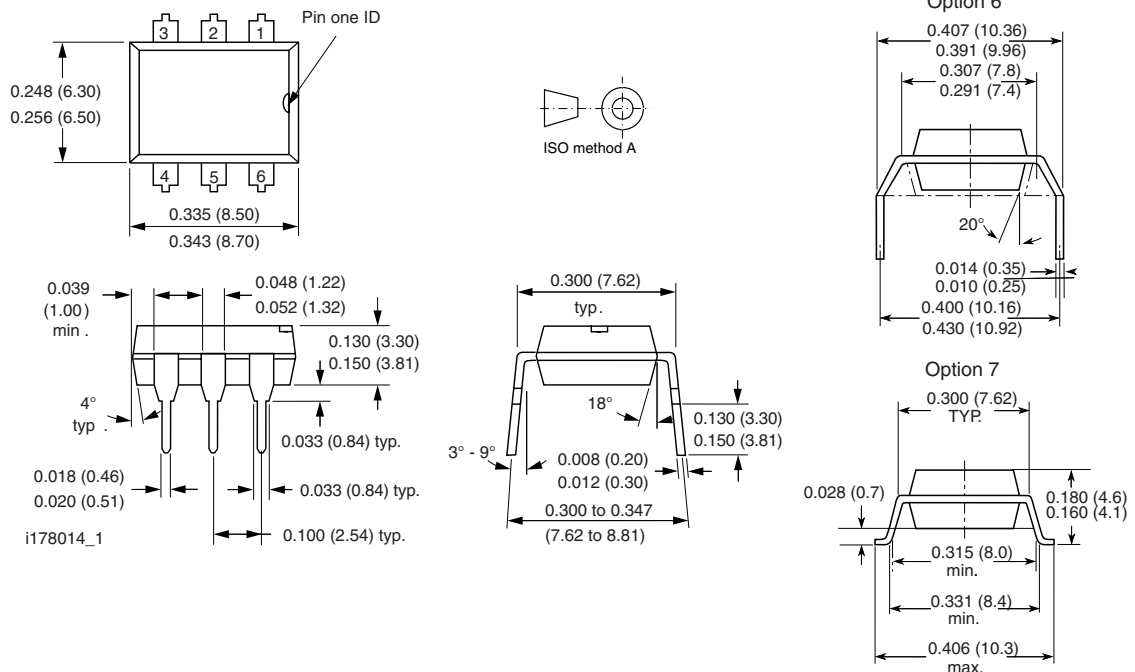


Fig. 9 - Trigger Current vs. Pulse Width

PACKAGE DIMENSIONS in inches (millimeters)




OZONE DEPLETING SUBSTANCES POLICY STATEMENT

It is the policy of Vishay Semiconductor GmbH to

1. Meet all present and future national and international statutory requirements.
2. Regularly and continuously improve the performance of our products, processes, distribution and operating systems with respect to their impact on the health and safety of our employees and the public, as well as their impact on the environment.

It is particular concern to control or eliminate releases of those substances into the atmosphere which are known as ozone depleting substances (ODSs).

The Montreal Protocol (1987) and its London Amendments (1990) intend to severely restrict the use of ODSs and forbid their use within the next ten years. Various national and international initiatives are pressing for an earlier ban on these substances.

Vishay Semiconductor GmbH has been able to use its policy of continuous improvements to eliminate the use of ODSs listed in the following documents.

1. Annex A, B and list of transitional substances of the Montreal Protocol and the London Amendments respectively.
2. Class I and II ozone depleting substances in the Clean Air Act Amendments of 1990 by the Environmental Protection Agency (EPA) in the USA
3. Council Decision 88/540/EEC and 91/690/EEC Annex A, B and C (transitional substances) respectively.

Vishay Semiconductor GmbH can certify that our semiconductors are not manufactured with ozone depleting substances and do not contain such substances.

We reserve the right to make changes to improve technical design
and may do so without further notice.

Parameters can vary in different applications. All operating parameters must be validated for each customer application by the customer. Should the buyer use Vishay Semiconductors products for any unintended or unauthorized application, the buyer shall indemnify Vishay Semiconductors against all claims, costs, damages, and expenses, arising out of, directly or indirectly, any claim of personal damage, injury or death associated with such unintended or unauthorized use.

Vishay Semiconductor GmbH, P.O.B. 3535, D-74025 Heilbronn, Germany



Disclaimer

All product specifications and data are subject to change without notice.

Vishay Intertechnology, Inc., its affiliates, agents, and employees, and all persons acting on its or their behalf (collectively, "Vishay"), disclaim any and all liability for any errors, inaccuracies or incompleteness contained herein or in any other disclosure relating to any product.

Vishay disclaims any and all liability arising out of the use or application of any product described herein or of any information provided herein to the maximum extent permitted by law. The product specifications do not expand or otherwise modify Vishay's terms and conditions of purchase, including but not limited to the warranty expressed therein, which apply to these products.

No license, express or implied, by estoppel or otherwise, to any intellectual property rights is granted by this document or by any conduct of Vishay.

The products shown herein are not designed for use in medical, life-saving, or life-sustaining applications unless otherwise expressly indicated. Customers using or selling Vishay products not expressly indicated for use in such applications do so entirely at their own risk and agree to fully indemnify Vishay for any damages arising or resulting from such use or sale. Please contact authorized Vishay personnel to obtain written terms and conditions regarding products designed for such applications.

Product names and markings noted herein may be trademarks of their respective owners.

Данный компонент на территории Российской Федерации

Вы можете приобрести в компании MosChip.

Для оперативного оформления запроса Вам необходимо перейти по данной ссылке:

<http://moschip.ru/get-element>

Вы можете разместить у нас заказ для любого Вашего проекта, будь то серийное производство или разработка единичного прибора.

В нашем ассортименте представлены ведущие мировые производители активных и пассивных электронных компонентов.

Нашей специализацией является поставка электронной компонентной базы двойного назначения, продукции таких производителей как XILINX, Intel (ex.ALTERA), Vicor, Microchip, Texas Instruments, Analog Devices, Mini-Circuits, Amphenol, Glenair.

Сотрудничество с глобальными дистрибьюторами электронных компонентов, предоставляет возможность заказывать и получать с международных складов практически любой перечень компонентов в оптимальные для Вас сроки.

На всех этапах разработки и производства наши партнеры могут получить квалифицированную поддержку опытных инженеров.

Система менеджмента качества компании отвечает требованиям в соответствии с ГОСТ Р ИСО 9001, ГОСТ РВ 0015-002 и ЭС РД 009

Офис по работе с юридическими лицами:

105318, г.Москва, ул.Щербаковская д.3, офис 1107, 1118, ДЦ «Щербаковский»

Телефон: +7 495 668-12-70 (многоканальный)

Факс: +7 495 668-12-70 (доб.304)

E-mail: info@moschip.ru

Skype отдела продаж:

moschip.ru

moschip.ru_4

moschip.ru_6

moschip.ru_9