

ASSR-3210, ASSR-3211, ASSR-3220

General Purpose, Form A, Solid State Relay (Photo MOSFET)

(250V/0.2A/10Ω)



Data Sheet



Description

The ASSR-32XX Series consists of an AlGaAs infrared light-emitting diode (LED) input stage optically coupled to a high-voltage output detector circuit. The detector consists of a high-speed photovoltaic diode array and driver circuitry to switch on/off two discrete high voltage MOSFETs. The relay turns on (contact closes) with a minimum input current of 3mA through the input LED. The relay turns off (contact opens) with an input voltage of 0.8V or less.

The single channel configurations, ASSR-3210 and ASSR-3211, are equivalent to 1 Form A Electromechanical Relays (EMR), and the dual channel configuration, ASSR-3220, is equivalent to 2 Form A EMR. They are available in 4-pin SO, 6-pin DIP, 8-pin DIP and Gull Wing Surface Mount for DIP packages. Their electrical and switching characteristics are specified over the temperature range of -40°C to +85°C. They are used for general purpose switching of signals and low power AC/DC loads.

ASSR-3211 enables AC/DC and DC-only output connections. For DC-only connection, the output current, I_o , increases to 0.4A and the on-resistance, $R_{(ON)}$ reduces to 2.5Ω.

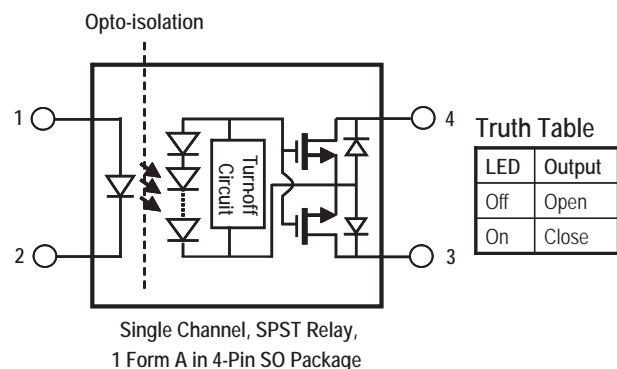
Applications

- Telecommunication Switching
- Data Communications
- Industrial Controls
- Medical
- Security
- EMR / Reed Relay Replacement

Features

- Compact Solid-State Bi-directional Signal Switch
- Single and Dual Channel Normally-off Single-Pole-Single-Throw (SPST) Relay
- 250V Output Withstand Voltage
- 0.2A or 0.4A Current Rating (See Schematic for ASSR-3211 Connections A & B)
- Low Input Current: CMOS Compatibility
- Low On-Resistance: 2Ω Typical for DC-only, 8Ω Typical for AC/DC
- Very High Output Off-state Impedance: 10 Teraohms Typical
- High Speed Switching: 0.25ms (Ton), 0.02ms (Toff) Typical
- High Transient Immunity: >1kV/μs
- High Input-to-Output Insulation Voltage (Safety and Regulatory Approvals)
 - 3750 Vrms for 1 min per UL1577
 - CSA Component Acceptance

Functional Diagram



CAUTION: It is advised that normal static precautions be taken in handling and assembly of this component to prevent damage and/or degradation which may be induced by ESD.

Ordering Information

ASSR-xxxx is UL Recognized with 3750 Vrms for 1 minute per UL1577 and is approved under CSA Component Acceptance Notice #5.

Part number	Option	Package	Surface Mount	Gull Wing	Tape & Reel	Quantity
	RoHS Compliant					
ASSR-3210	-003E	SO-4	X			100 units per tube
	-503E		X		X	1500 units per reel
ASSR-3211	-001E	300mil DIP-6				50 units per tube
	-301E		X	X		50 units per tube
	-501E		X	X	X	1000 units per reel
ASSR-3220	-002E	300 mil DIP-8				50 units per tube
	-302E		X	X		50 units per tube
	-502E		X	X	X	1000 units per reel

To order, choose a part number from the part number column and combine with the desired option from the option column to form an order entry.

Example 1:

ASSR-3211-501E to order product of 300mil DIP-6 Gull Wing Surface Mount package in Tape and Reel packaging and RoHS Compliant.

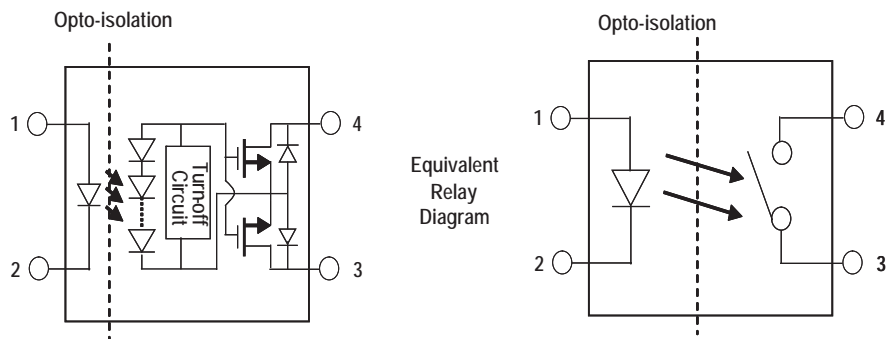
Example 2:

ASSR-3220-002E to order product of 300mil DIP-8 package in tube packaging and RoHS Compliant.

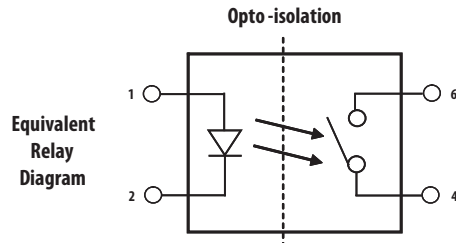
Option datasheets are available. Contact your Avago sales representative or authorized distributor for information.

Schematic

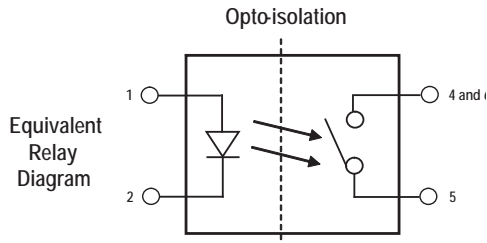
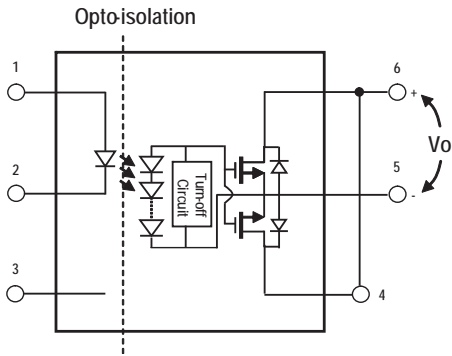
ASSR-3210



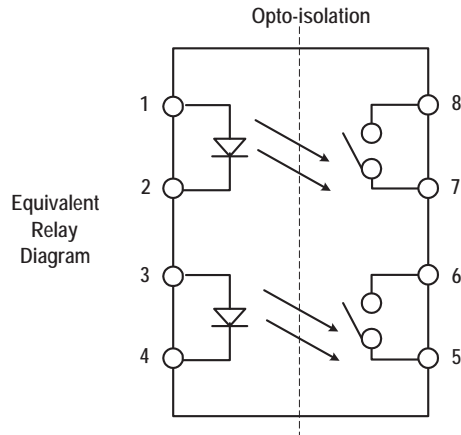
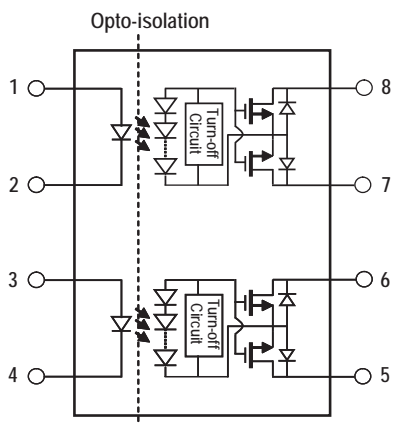
ASSR-3211 Connection A



ASSR-3211 Connection B

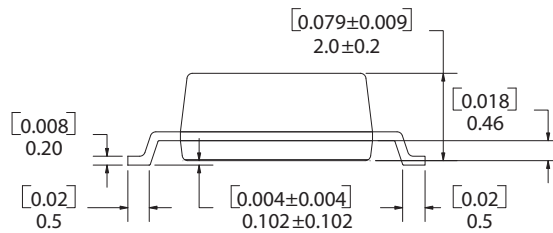
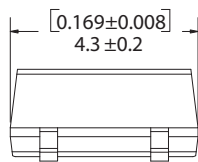
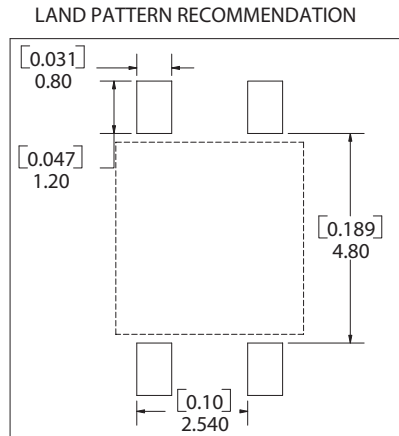
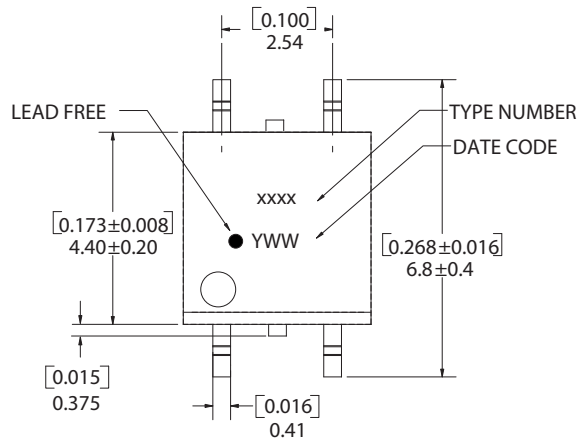


ASSR-3220



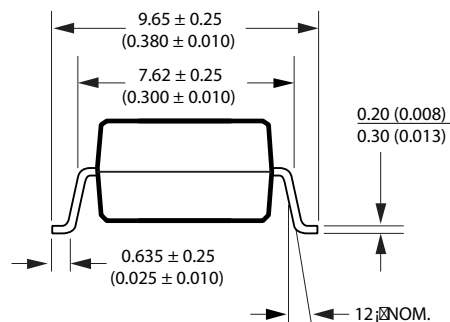
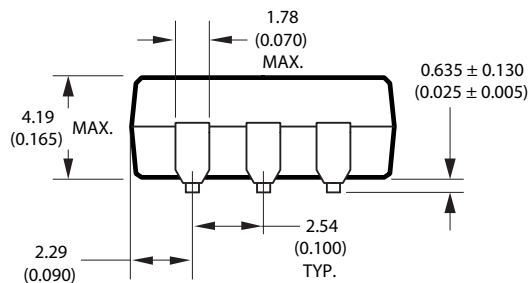
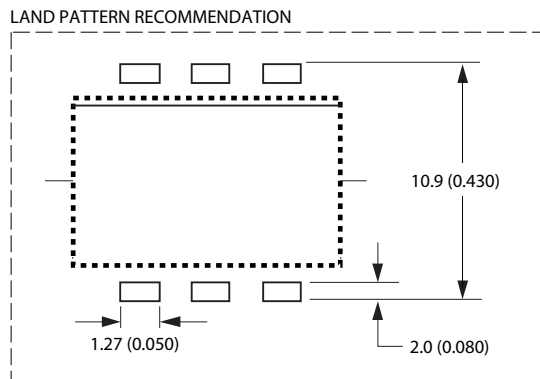
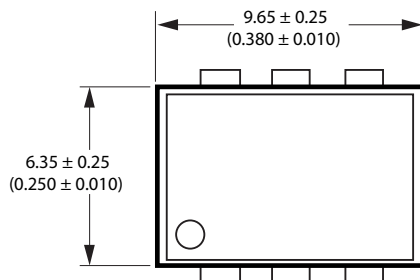
Package Outline Drawings

ASSR-3210 4-Pin Small Outline Package



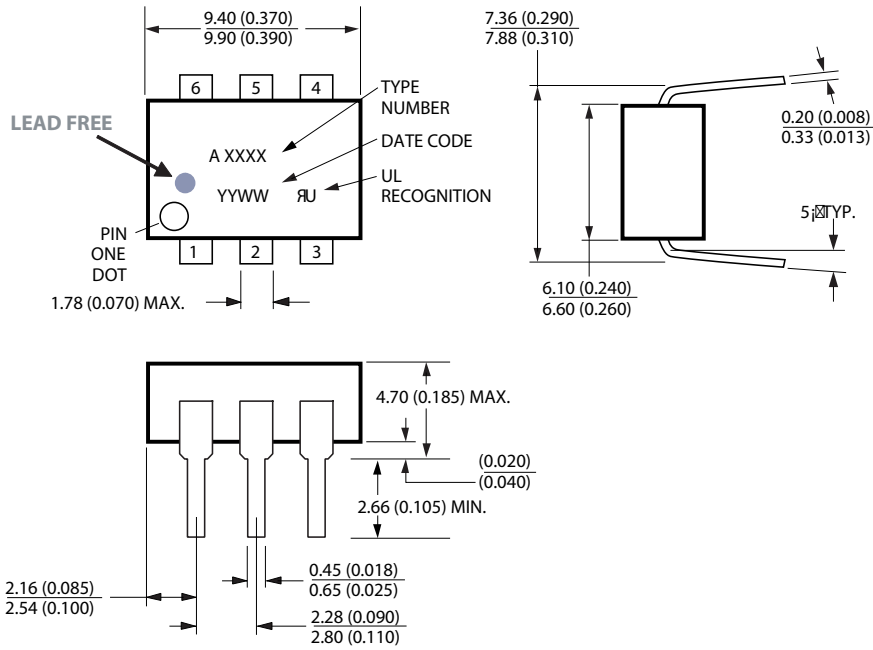
DIMENSIONS IN MILLIMETERS AND [INCHES]
OPTION NUMBER 500 AND UL RECOGNITION NOT MARKED

ASSR-3211 6-Pin DIP Package



NOTE: FLOATING LEAD PROTRUSION IS 0.25 mm (10 mils) MAX.

ASSR-3211 6-Pin DIP Package with Gull Wing Surface Mount Option 300



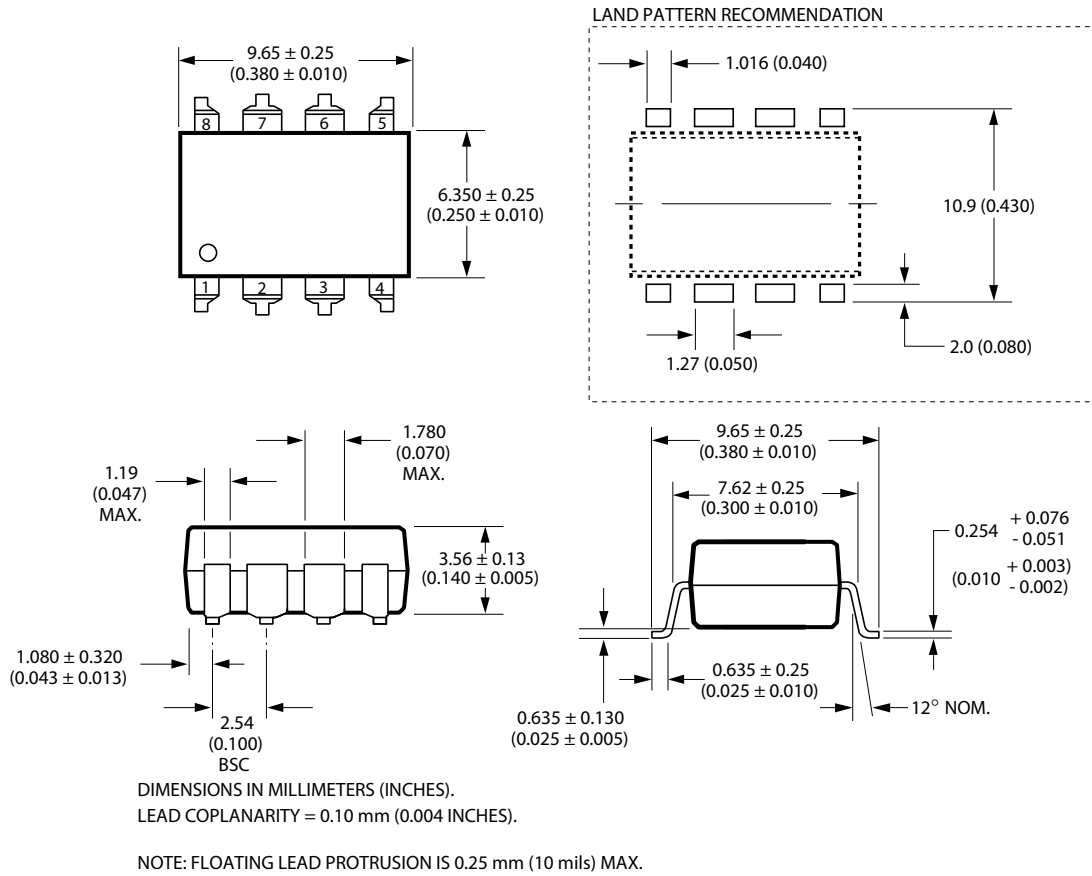
DIMENSIONS IN MILLIMETERS AND (INCHES).

ASSR-3220 8-Pin DIP Package

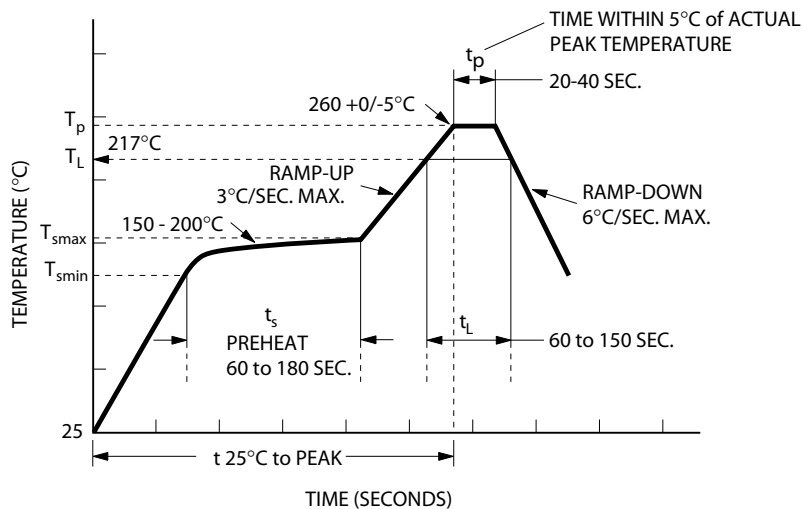


DIMENSIONS IN MILLIMETERS AND (INCHES).
OPTION NUMBERS 300 AND 500 NOT MARKED.

ASSR-3220 8-Pin DIP Package with Gull Wing Surface Mount Option 300



Lead Free IR Profile



NOTES:
THE TIME FROM 25°C TO PEAK TEMPERATURE = 8 MINUTES MAX.
 $T_{smax} = 200°C$, $T_{smin} = 150°C$

Non-halide flux should be used.

Regulatory Information

The ASSR-3210, ASSR-3211 and ASSR-3220 are approved by the following organizations:

UL

Approved under UL 1577, component recognition program up to $V_{ISO} = 3750 V_{RMS}$

CSA

Approved under CSA Component Acceptance Notice #5.

Insulation and Safety Related Specifications

Parameter	Symbol	ASSR-3210	ASSR-3211, ASSR-3220	Units	Conditions
Minimum External Air Gap (Clearance)	L(101)	4.9	7.1	mm	Measured from input terminals to output terminals, shortest distance through air.
Minimum External Tracking (Creepage)	L(102)	4.9	7.4	mm	Measured from input terminals to output terminals, shortest distance path along body.
Minimum Internal Plastic Gap (Internal Clearance)		0.08	0.08	mm	Through insulation distance conductor to conductor, usually the straight line distance thickness between the emitter and detector.
Tracking Resistance (Comparative Tracking Index)	CTI	175	175	V	DIN IEC 112/VDE 0303 Part 1
Isolation Group (DIN VDE0109)		IIIa	IIIa		Material Group (DIN VDE 0109)

Absolute Maximum Ratings

Parameter		Symbol	Min.	Max.	Units	Note
Storage Temperature		T_S	-55	125	°C	
Operating Temperature		T_A	-40	85	°C	
Junction Temperature		T_J		125	°C	
Lead Soldering Cycle	Temperature			260	°C	
	Time			10	s	
Input Current	Average	I_F		25	mA	
	Surge			50		
	Transient			1000		
Reversed Input Voltage		V_R		5	V	
Input Power Dissipation	ASSR-3220	P_{IN}		80	mW	
	ASSR-3211, ASSR-3210	P_{IN}		40	mW	
Output Power Dissipation	ASSR-3220	P_O		800	mW	
	ASSR-3211, ASSR-3210	P_O		400	mW	
Average Output Current ($T_A = 25^\circ\text{C}$, $T_C \leq 100^\circ\text{C}$)		I_O		0.2	A	1
	ASSR-3211 Connection B	I_O		0.4	A	
Output Voltage ($T_A = 25^\circ\text{C}$)		V_O	-250	250	V	2
	ASSR-3211 Connection B	V_O	0	250	V	2
Solder Reflow Temperature Profile			See Lead Free IR Profile			

Recommended Operating Conditions

Parameter	Symbol	Min.	Max.	Units	Note
Input Current (ON)	$I_{F(ON)}$	3	20	mA	3
Input Voltage (OFF)	$V_{F(OFF)}$	0	0.8	V	
Operating Temperature	T_A	-40	+85	°C	

Package Characteristics

Unless otherwise specified, $T_A = 25^\circ\text{C}$.

Parameter	Sym.	Min.	Typ.	Max.	Units	Conditions	Fig.	Note
Input-Output Momentary Withstand Voltage	V_{ISO}	3750			Vrms	RH \leq 50%, t = 1 min		4, 5
Input-Output Resistance	R_{I-O}		10^{12}		Ω	$V_{I-O} = 500$ Vdc		
Input-Output Capacitance								
ASSR-3210	C_{I-O}		0.4		pF	f = 1 MHz; $V_{I-O} = 0$ Vdc		4
ASSR-3211	C_{I-O}		0.5		pF			
ASSR-3220	C_{I-O}		0.8		pF			

Electrical Specifications (DC)

Over recommended operating $T_A = -40^\circ\text{C}$ to 85°C , $I_F = 5\text{mA}$ to 10mA , unless otherwise specified.

Parameter	Sym.	Min.	Typ.	Max.	Units	Conditions	Fig.	Note
Output Withstand Voltage	$ V_{O(OFF)} $	250	280		V	$V_F = 0.8\text{V}$, $I_O = 250\ \mu\text{A}$, $T_A = 25^\circ\text{C}$		
		230			V	$V_F = 0.8\text{V}$, $I_O = 250\ \mu\text{A}$	3	
Output Leakage Current	$I_{O(OFF)}$		0.3	100	nA	$V_F = 0.8\text{V}$, $V_O = 250\text{V}$, $T_A = 25^\circ\text{C}$		
				1	μA	$V_F = 0.8\text{V}$, $V_O = 250\text{V}$	4	
Output Offset Voltage	$ V_{(OS)} $		1		μV	$I_F = 5\text{mA}$, $I_O = 0\text{mA}$		
Input Reverse Breakdown Voltage	V_R	5			V	$I_R = 10\ \mu\text{A}$		
Input Forward Voltage	V_F	1.1	1.3	1.65	V	$I_F = 5\text{mA}$	5, 6	
Output On-resistance	$R_{(ON)}$		8	10	Ω	$I_F = 5\text{mA}$, $I_O = 200\text{mA}$, Pulse $\leq 30\text{ms}$, $T_A = 25^\circ\text{C}$	7, 8	6
	ASSR-3211 Connection B $R_{(ON)}$		2.0	2.5	Ω	$I_F = 5\text{mA}$, $I_O = 400\text{mA}$, Pulse $\leq 30\text{ms}$, $T_A = 25^\circ\text{C}$		6

Switching Specifications (AC)

Over recommended operating $T_A = -40^\circ\text{C}$ to 85°C , $I_F = 5\text{mA}$ to 10mA , unless otherwise specified.

Parameter	Sym.	Min.	Typ.	Max.	Units	Conditions	Fig.	Note
Turn On Time	T_{ON}		0.25	1.0	ms	$I_F = 5\text{mA}$, $I_O = 200\text{mA}$, $T_A = 25^\circ\text{C}$	9, 13	
				2.0	ms	$I_F = 5\text{mA}$, $I_O = 200\text{mA}$	10	
Turn Off Time	T_{OFF}		0.02	0.2	ms	$I_F = 5\text{mA}$, $I_O = 200\text{mA}$, $T_A = 25^\circ\text{C}$	11, 13	
				0.5	ms	$I_F = 5\text{mA}$, $I_O = 200\text{mA}$	12	
Output Transient Rejection	dV_O/dt	1	7		$\text{kV}/\mu\text{s}$	$\Delta V_O = 250\text{V}$, $T_A = 25^\circ\text{C}$	14	
Input-Output Transient Rejection	dV_{I-O}/dt	1	≥ 10		$\text{kV}/\mu\text{s}$	$\Delta V_{I-O} = 1000\text{V}$, $T_A = 25^\circ\text{C}$	15	

Notes:

- For derating, refer to Figure 1 and 2.
- The voltage across the output terminals of the relay should not exceed this rated withstand voltage. Over-voltage protection circuits should be added in some applications to protect against over-voltage transients."
- Threshold to switch device is $I_F \geq 0.5\text{mA}$, however, for qualified device performance over temperature range, it is recommended to operate at $I_F = 5\text{mA}$. Refer to application information in next section of this datasheet.
- Device is considered as a two terminal device:
 - ASSR-3210 - pin 1, 2 shorted and pin 3, 4 shorted.
 - ASSR-3211 - pin 1, 2, 3 shorted and pin 4, 5, 6 shorted.
 - ASSR-3220 - pin 1, 2, 3, 4 shorted and pin 5, 6, 7, 8 shorted.
- The Input-Output Momentary Withstand Voltage is a dielectric voltage rating that should not be interpreted as an input-output continuous voltage rating. For the continuous voltage rating refer to the IEC/EN/DIN EN 60747-5-2 Insulation Characteristics Table (if applicable), your equipment level safety specification, or Avago Technologies Application Note 1074, "Optocoupler Input-Output Endurance Voltage."
- During the pulsed $R_{(ON)}$ measurement (I_O duration $\leq 30\text{ms}$), ambient (T_A) and case temperature (T_C) are equal.

Applications Information

On-Resistance and Derating Curves

The Output On-Resistance, $R_{(ON)}$, specified in this data sheet, is the resistance measured across the output contact when a pulsed current signal ($I_O = 0.2\text{A}$) is applied to the output pins. The use of a pulsed signal ($\leq 30\text{ms}$) implies that each junction temperature is equal to the ambient and case temperatures. The steady-state resistance, R_{ss} , on the other hand, is the value of the resistance measured across the output contact when a DC current signal is applied to the output pins for a duration sufficient to reach thermal equilibrium. R_{ss} includes the effects of the temperature rise in the device.

Derating curves are shown in Figures 1 and 2, specifying the maximum output current allowable for a given am-

ambient temperature. The maximum allowable output current and power dissipation are related by the expression $R_{ss} = P_o(\text{max}) / (I_o(\text{max}))^2$ from which R_{ss} can be calculated. Staying within the safe area assures that the steady state MOSFET junction temperature remains less than 125°C .

Turn On Time and Turn Off Time Variation

The ASSR-32XX Series exhibits a very fast turn on and turn off time. Both the turn on and turn off time can be adjusted by choosing proper forward current as depicted in Figures 9 and 11. The changes of the turn on and turn off time with ambient temperature are also shown in Figures 10 and 12.

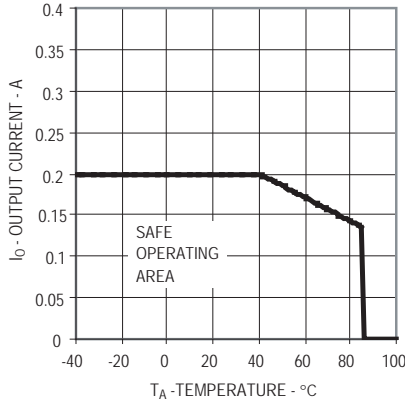


Figure 1. Maximum Average Output Current Rating vs Ambient Temperature

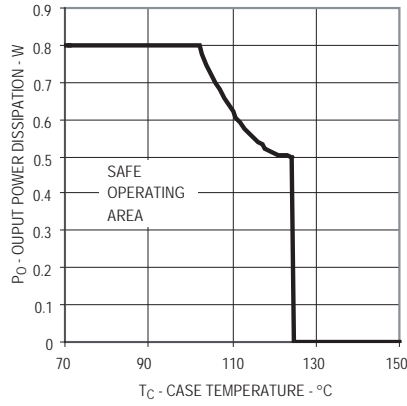


Figure 2. Output Power Derating vs Case Temperature

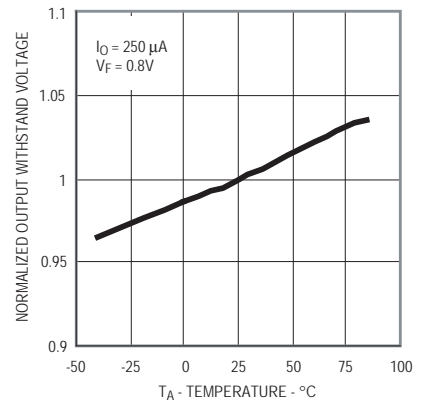


Figure 3. Normalized Typical Output Withstand Voltage vs. Temperature

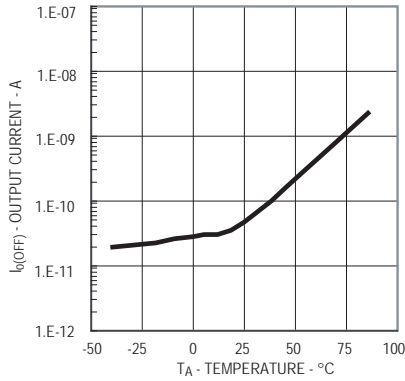


Figure 4. Typical Output Leakage Current vs. Temperature

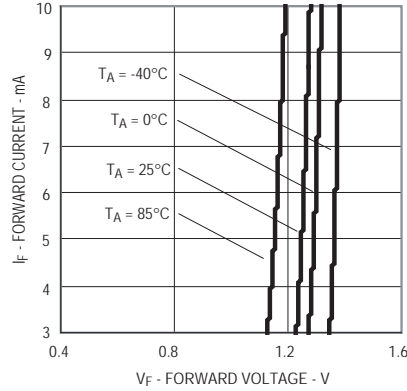


Figure 5. Typical Forward Voltage vs. Temperature

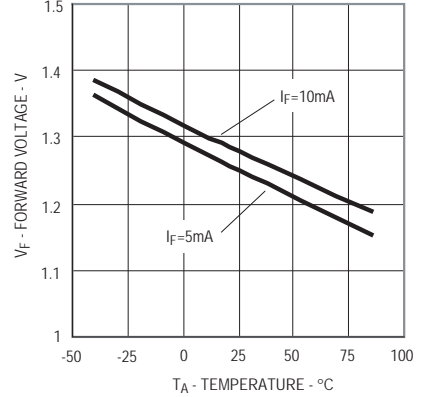


Figure 6. Typical Forward Current vs. Forward Voltage

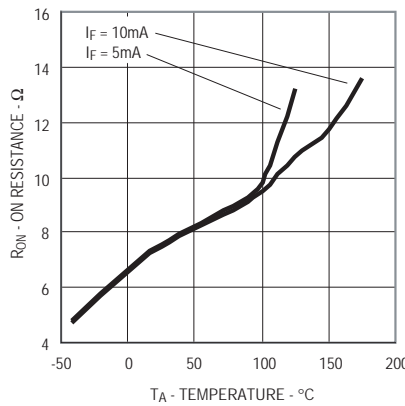


Figure 7. Typical On Resistance vs. Temperature

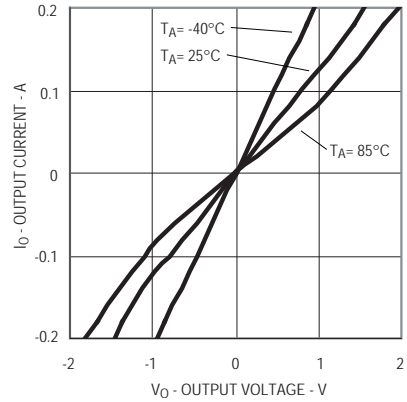


Figure 8. Typical Output Current vs. Output Voltage

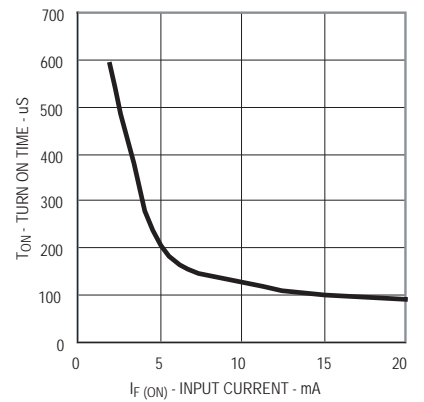


Figure 9. Typical Turn On Time vs. Input Current

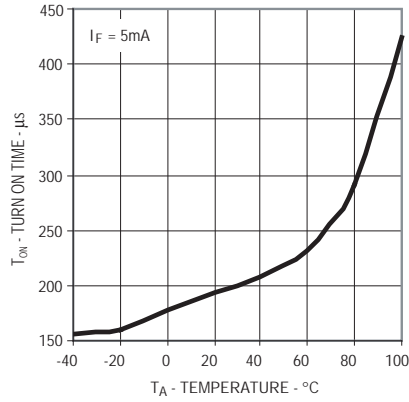


Figure 10. Typical Turn On Time vs. Temperature

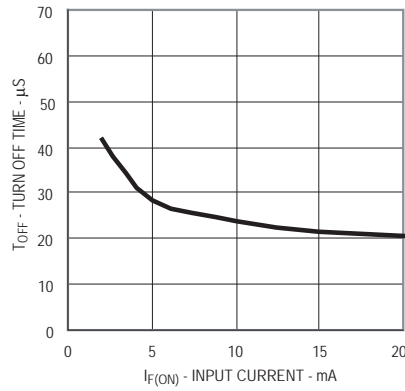


Figure 11. Typical Turn Off Time vs. Input Current

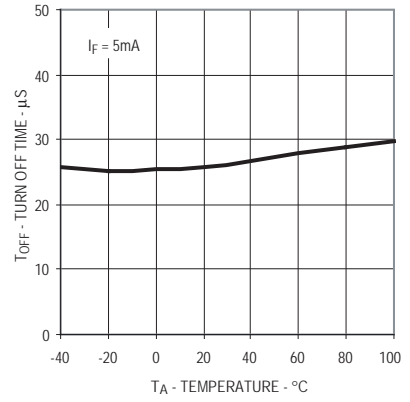


Figure 12. Typical Turn Off Time vs. Temperature

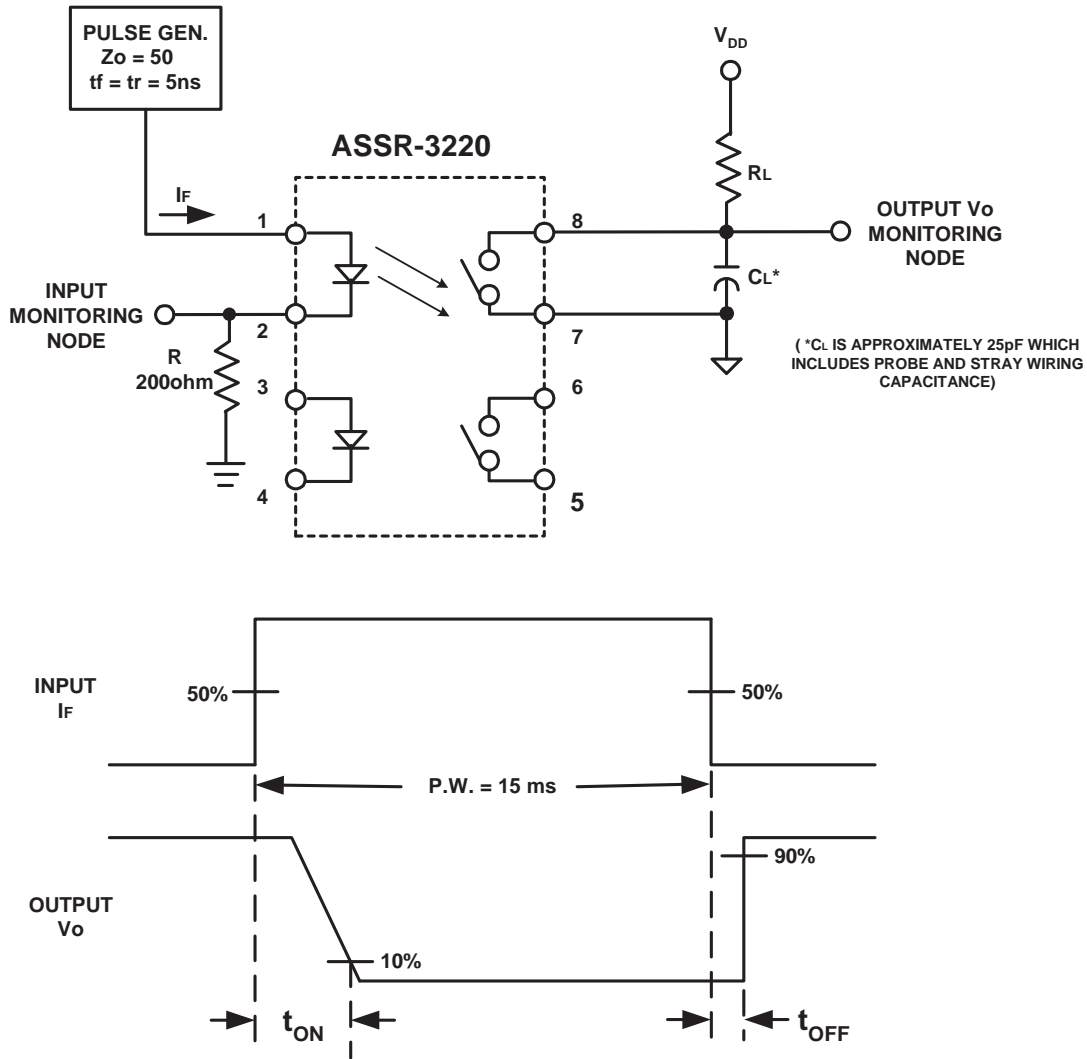
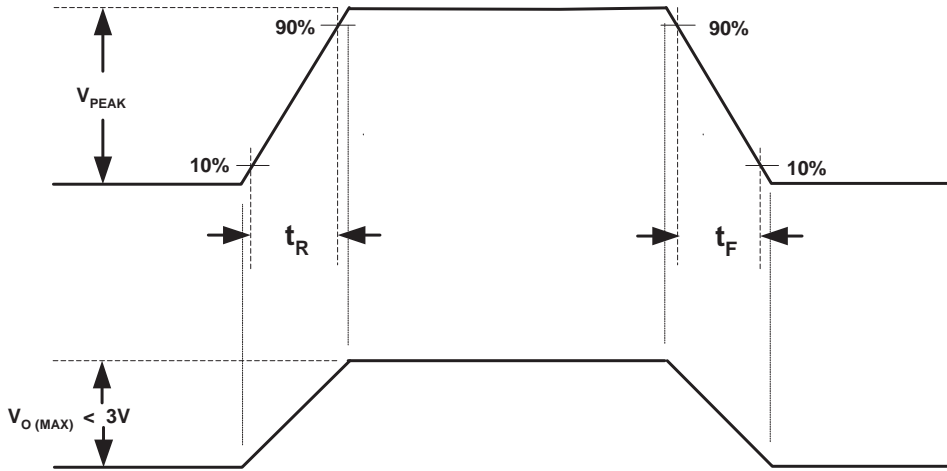
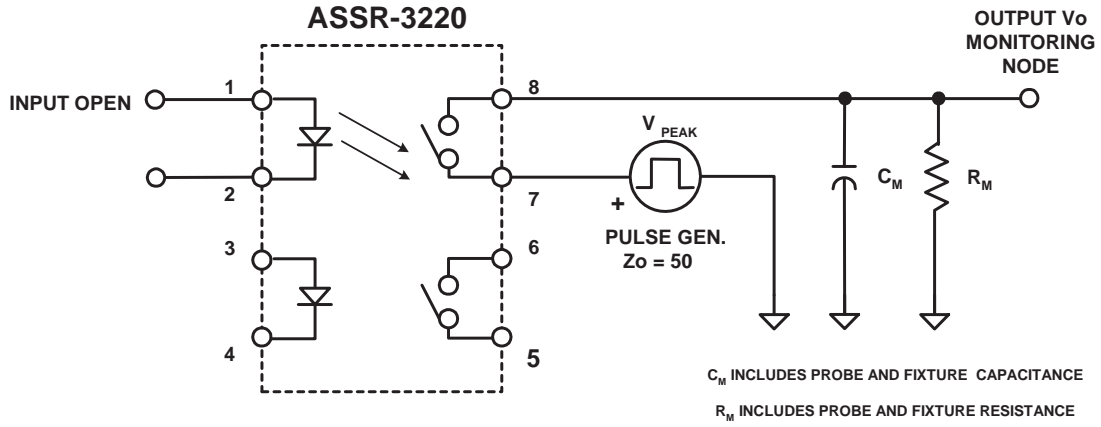


Figure 13 Switching Test Circuit for TON, TOFF



$$\frac{dV_o}{dt} = \frac{(0.8)V_{PEAK}}{t_R} \text{ OR } \frac{(0.8)V_{PEAK}}{t_F}$$

OVER SHOOT ON V_{PEAK} IS TO BE 10%

Figure. 14. Output Transient Rejection Test Circuit



Figure 15. Input-Output Transient Rejection Test Circuit

For product information and a complete list of distributors, please go to our web site: www.avagotech.com

Avago, Avago Technologies, and the A logo are trademarks of Avago Technologies in the United States and other countries. Data subject to change. Copyright © 2005-2012 Avago Technologies. All rights reserved. Obsoletes AV01-0359EN AV02-0260EN - March 19, 2012a



Данный компонент на территории Российской Федерации

Вы можете приобрести в компании MosChip.

Для оперативного оформления запроса Вам необходимо перейти по данной ссылке:

<http://moschip.ru/get-element>

Вы можете разместить у нас заказ для любого Вашего проекта, будь то серийное производство или разработка единичного прибора.

В нашем ассортименте представлены ведущие мировые производители активных и пассивных электронных компонентов.

Нашей специализацией является поставка электронной компонентной базы двойного назначения, продукции таких производителей как XILINX, Intel (ex.ALTERA), Vicor, Microchip, Texas Instruments, Analog Devices, Mini-Circuits, Amphenol, Glenair.

Сотрудничество с глобальными дистрибьюторами электронных компонентов, предоставляет возможность заказывать и получать с международных складов практически любой перечень компонентов в оптимальные для Вас сроки.

На всех этапах разработки и производства наши партнеры могут получить квалифицированную поддержку опытных инженеров.

Система менеджмента качества компании отвечает требованиям в соответствии с ГОСТ Р ИСО 9001, ГОСТ РВ 0015-002 и ЭС РД 009

Офис по работе с юридическими лицами:

105318, г.Москва, ул.Щербаковская д.3, офис 1107, 1118, ДЦ «Щербаковский»

Телефон: +7 495 668-12-70 (многоканальный)

Факс: +7 495 668-12-70 (доб.304)

E-mail: info@moschip.ru

Skype отдела продаж:

moschip.ru

moschip.ru_4

moschip.ru_6

moschip.ru_9