

FEATURES

- 2.5GHz min. f_{MAX}
- 2.3V to 5.7V power supply
- Single bit register memory
- Synchronizes 1 bit of data to a clock
- Optimized to work with SuperLite™ family
- Fully differential
- Accepts CML, PECL, LVPECL input logic levels
- Source terminated CML outputs for fast edge rates
- Available in a tiny 10-pin MSOP

**SuperLite™****DESCRIPTION**

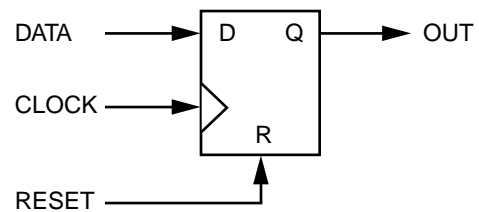
The SY55852U is a flip-flop used to synchronize data to a clock. Its differential output will reproduce and remember the value on its input at the rising edge of the clock. In addition, an asynchronous, level sensitive reset is provided. For a synchronous reset, the SY55851U AnyGate® can be used.

SY55852U inputs can be terminated with a single resistor between the true and complement pins of a given input.

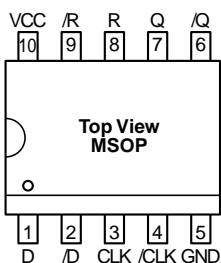
The SY55852U is a member of Micrel's SuperLite™ family of high-speed CML logic. This family features very small packaging and 2.3V to 5.7V operation.

APPLICATIONS

- High-speed logic
- OC-48 communication systems

FUNCTIONAL BLOCK DIAGRAM

PACKAGE/ORDERING INFORMATION



10-Pin MSOP (K10-1)

Ordering Information⁽¹⁾

Part Number	Package Type	Operating Range	Package Marking	Lead Finish
SY55852UKC	K10-1	Commercial	55852U	Sn-Pb
SY55852UKCTR ⁽²⁾	K10-1	Commercial	55852U	Sn-Pb
SY55852UKI	K10-1	Industrial	55852U	Sn-Pb
SY55852UKITR ⁽²⁾	K10-1	Industrial	55852U	Sn-Pb
SY55852UKG ⁽³⁾	K10-1	Industrial	55852U with Pb-Free bar line indicator	NiPdAu Pb-Free
SY55852UKGTR ^(2, 3)	K10-1	Industrial	55852U with Pb-Free bar line indicator	NiPdAu Pb-Free

Notes:

- Contact factory for die availability. Dice are guaranteed at $T_A = 25^\circ\text{C}$, DC Electricals only.
- Tape and Reel.
- Pb-Free package recommended for new designs.

PIN DESCRIPTION

Pin Number	Pin Name	Pin Function
1, 2	D, /D	CML/PECL/LVPECL Input (Differential): This is the single bit of data that gets clocked in and remembered.
3, 4	CLK, /CLK	CML/PECL/LVPECL Input (Differential): The rising edge of this signal is the clock signal that determines when the Boolean value at the data input gets stored.
5	GND	Ground.
6, 7	/Q, Q	CML Output (Differential): This is the output of the flip-flop.
8, 9	R, /R	CML/PECL/LVPECL Input (Differential): This is an asynchronous active high level reset, that forces the flip-flop into a known state, namely zero.
10	VCC	Power Supply.

TRUTH TABLE

D	CLK	R	Q	/Q
X	X	1	0	1
X	0	0	Q_{N-1}	$/Q_{N-1}$
X	1	0	Q_{N-1}	$/Q_{N-1}$
0	\downarrow	0	0	1
1	\downarrow	0	1	0

FUNCTIONAL DESCRIPTION

Establishing Static Logic Inputs

The true pin of an input pair is internally biased to ground through a 75kΩ resistor. The complement pin of an input pair is internally biased halfway between V_{CC} and ground by a voltage divider consisting of two 75kΩ resistors. To keep an input at static logic zero at $V_{CC} > 3.0V$, leave both inputs unconnected. For $V_{CC} \leq 3.0V$, connect the

complement inputs to V_{CC} and leave the true inputs unconnected. To make an input static logic one, connect the true input to V_{CC} , leave the complement input unconnected. These are the only safe ways to cause inputs to be at a static value. In particular, no input pin should be directly connected to ground. All NC (no connect) pins should be unconnected.

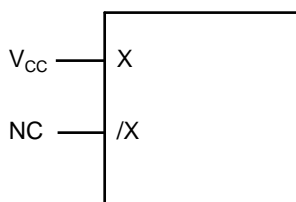


Figure 1. Hard Wiring a Logic “1” (1)

Note 1. X is either D, CLK, R input. /X is either /D, /CLK, /R input.

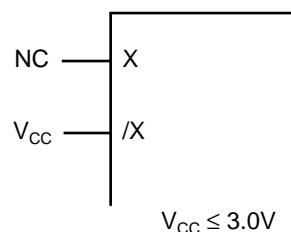
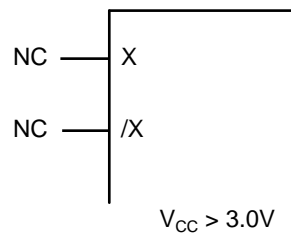


Figure 2. Hard Wiring a Logic “0” (1)

Absolute Maximum Ratings⁽¹⁾

Supply Voltage (V_{CC})	-0.5V to +6.0V
CML Output Voltage	$V_{CC} - 1.0$ to $V_{CC} + 0.5$
Lead Temperature (soldering, 20 sec.)	260°C
Storage Temperature (T_S)	-65°C to +150°C

Operating Ratings⁽²⁾

Supply Voltage (V_{IN})	-0.5 to $V_{CC} + 0.5$ V
Ambient Temperature (T_A)	-40°C to +85°C
Package Thermal Resistance	
MSOP (θ_{JA})	
Still-Air	113°C/W
500lpm	96°C/W

Notes:

1. Permanent device damage may occur if absolute maximum ratings are exceeded. This is a stress rating only and functional operation is not implied at conditions other than those detailed in the operational sections of this data sheet. Exposure to absolute maximum rating conditions for extended periods may affect device reliability.
2. The data sheet limits are not guaranteed if the device is operated beyond the operating ratings.

DC ELECTRICAL CHARACTERISTICS⁽¹⁾

$V_{CC} = +2.3$ V to +5.7V; GND = 0V; $T_A = -40$ °C to +85°C; unless otherwise noted.

Symbol	Parameter	Condition	Min	Typ	Max	Units
V_{CC}	Power Supply Voltage		2.3		5.7	V
I_{CC}	Power Supply Current				36	mA

Note:

1. The device is guaranteed to meet the DC specifications, shown in the table above, after thermal equilibrium has been established. The device is tested in a socket such that transverse airflow of ≥ 500 lpm is maintained.

CML DC ELECTRICAL CHARACTERISTICS⁽¹⁾

$V_{CC} = +2.3$ V to +5.7V; GND = 0V; $T_A = -40$ °C to +85°C; unless otherwise noted.

Symbol	Parameter	Condition	Min	Typ	Max	Units
V_{ID}	Differential Input Voltage		100			mV
V_{IH}	Input HIGH Voltage	Note 2	1.6	—	V_{CC}	V
V_{IL}	Input LOW Voltage	Note 2	1.5	—	$V_{CC} - 0.1$	V
V_{OH}	Output HIGH Voltage	No Load	$V_{CC} - 0.020$	$V_{CC} - 0.010$	V_{CC}	V
V_{OL}	Output LOW Voltage	No Load	$V_{CC} - 0.97$	$V_{CC} - 0.825$	$V_{CC} - 0.660$	V
V_{OS}	Output Voltage Swing	No Load, Note 3 50Ω Environment, Note 4 100Ω Environment, Note 5	0.660	0.800 0.200 0.400	0.950	V V V
R_{DRIVE}	Output Source Impedance		80	100	120	Ω

Notes:

1. Equilibrium temperature.
2. Inputs must be biased to logic LOW or HIGH when V_{CC} is less than 3.0V.
3. Actual voltage levels and differential swing will depend on customer termination scheme. Typically, a 400mV swing is available in the 100Ω environment and a 200mV swing in the 50Ω environment. Refer to the "CML Termination" diagram for more details.
4. See Figure 3a and 3b.
5. See Figure 4.

AC ELECTRICAL CHARACTERISTICS(1)

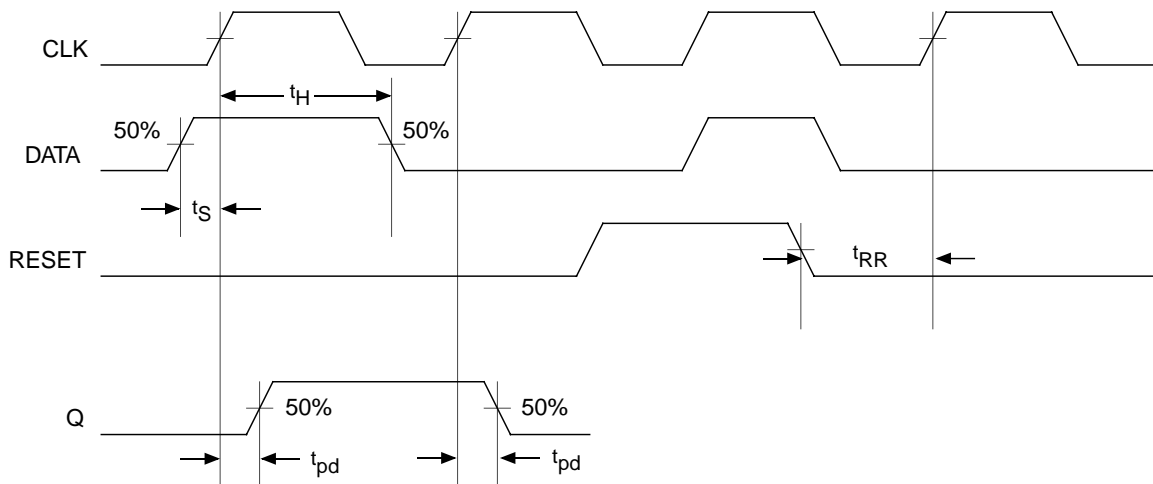
$V_{CC} = 2.3V$ to $5.7V$; $GND = 0V$; $T_A = -40^{\circ}C$ to $+85^{\circ}C$; unless noted.

Symbol	Parameter	Condition	Min	Typ	Max	Units
f_{MAX}	Max. Operating Frequency		2.5			GHz
t_{pd}	Propagation Delay	CLK to Q R to Q			400 500	ps
t_S	Set-Up Time		40			ps
t_H	Hold Time		40			ps
t_{RR}	Reset Recovery		400			ps
t_{PW}	Minimum Pulse Width	CLK to Q R to Q	$V_{CC} < 3V$ 160 $V_{CC} \geq 3V$ 140 250			ps
t_r, t_f	CML Output Rise/Fall Times (20% to 80%)		35		150	ps

Note:

1. Tested using environment of Figure 3b, 50Ω load CML output.

TIMING DIAGRAMS



CML TERMINATION

All inputs accept the output from any other member of this family. All outputs are source terminated 100Ω CML differential drivers as shown in Figures 3 and 4. SY55852U expects the inputs to be terminated, and that good high

speed design practices be adhered to. SY55852U inputs are designed to accept a termination resistor between the true and complement inputs of a differential pair. 0402 form factor chip resistors will fit with some trace fanout.

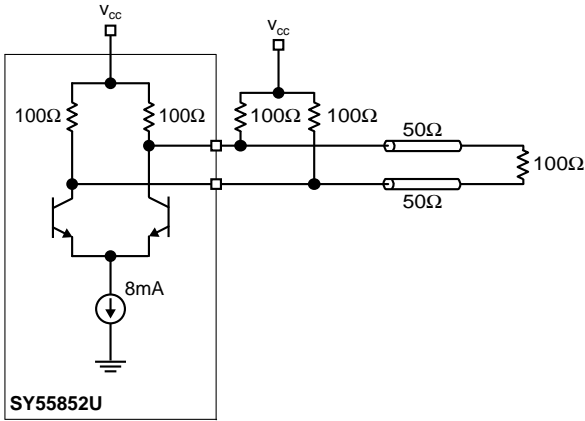


Figure 3a. Differentially Terminated (50Ω Load CML Output)

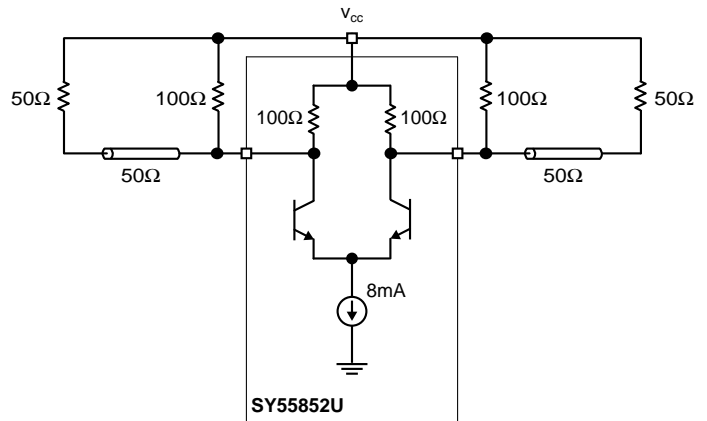


Figure 3b. Individually Terminated (50Ω Load CML Output)

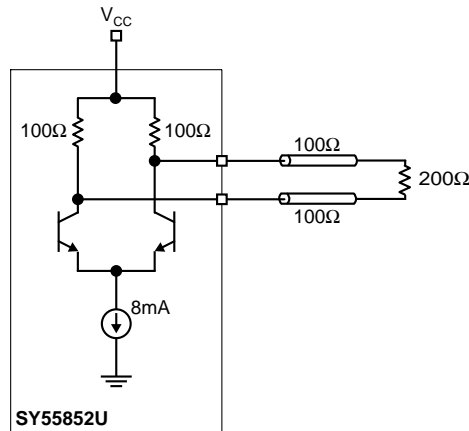
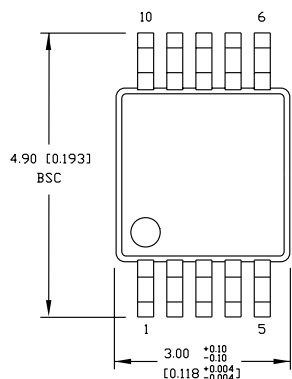
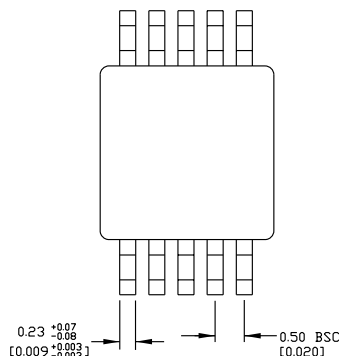


Figure 4. 100Ω Load CML Output

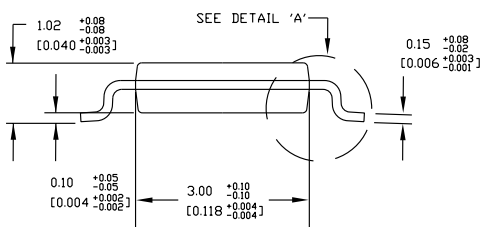
10-PIN MSOP (K10-1)



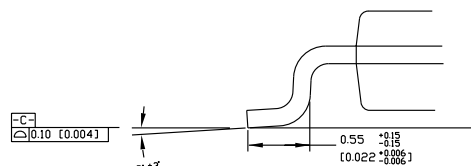
TOP VIEW



BOTTOM VIEW



SIDE VIEW



DETAIL A

- NOTES:
1. DIMENSIONS ARE IN MM [INCHES].
 2. CONTROLLING DIMENSION: MM
- ⚠ DIMENSION DOES NOT INCLUDE MOLD FLASH OR PROTRUSIONS, EITHER OF WHICH SHALL NOT EXCEED 0.20 [0.008] PER SIDE.

MICREL, INC. 2180 FORTUNE DRIVE SAN JOSE, CA 95131 USA

TEL + 1 (408) 944-0800 FAX + 1 (408) 474-1000 WEB <http://www.micrel.com>

The information furnished by Micrel in this datasheet is believed to be accurate and reliable. However, no responsibility is assumed by Micrel for its use. Micrel reserves the right to change circuitry and specifications at any time without notification to the customer.

Micrel Products are not designed or authorized for use as components in life support appliances, devices or systems where malfunction of a product can reasonably be expected to result in personal injury. Life support devices or systems are devices or systems that (a) are intended for surgical implant into the body or (b) support or sustain life, and whose failure to perform can be reasonably expected to result in a significant injury to the user. A Purchaser's use or sale of Micrel Products for use in life support appliances, devices or systems is at Purchaser's own risk and Purchaser agrees to fully indemnify Micrel for any damages resulting from such use or sale.

© 2005 Micrel, Incorporated.

Данный компонент на территории Российской Федерации

Вы можете приобрести в компании MosChip.

Для оперативного оформления запроса Вам необходимо перейти по данной ссылке:

<http://moschip.ru/get-element>

Вы можете разместить у нас заказ для любого Вашего проекта, будь то серийное производство или разработка единичного прибора.

В нашем ассортименте представлены ведущие мировые производители активных и пассивных электронных компонентов.

Нашей специализацией является поставка электронной компонентной базы двойного назначения, продукции таких производителей как XILINX, Intel (ex.ALTERA), Vicor, Microchip, Texas Instruments, Analog Devices, Mini-Circuits, Amphenol, Glenair.

Сотрудничество с глобальными дистрибьюторами электронных компонентов, предоставляет возможность заказывать и получать с международных складов практически любой перечень компонентов в оптимальные для Вас сроки.

На всех этапах разработки и производства наши партнеры могут получить квалифицированную поддержку опытных инженеров.

Система менеджмента качества компании отвечает требованиям в соответствии с ГОСТ Р ИСО 9001, ГОСТ РВ 0015-002 и ЭС РД 009

Офис по работе с юридическими лицами:

105318, г.Москва, ул.Щербаковская д.3, офис 1107, 1118, ДЦ «Щербаковский»

Телефон: +7 495 668-12-70 (многоканальный)

Факс: +7 495 668-12-70 (доб.304)

E-mail: info@moschip.ru

Skype отдела продаж:

moschip.ru

moschip.ru_4

moschip.ru_6

moschip.ru_9