

D-sub Connectors XM3-L/XM2-L/XM4K/XM4L

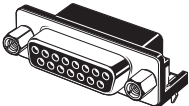
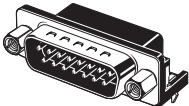
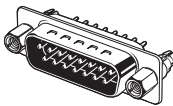
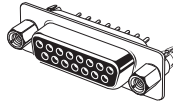
Cost-effective, PCB Mount D-Sub Connectors Provide Savings versus Original XM3 Connectors.

- Determine anchor screw diameters at a glance.
- Greatly simplified anchor combinations.
- Shielded against EMI.
- Conforms to UL standards.
(No. E103202) (Except XM4Z models.)
- RoHS Compliant.

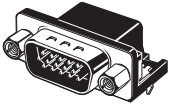
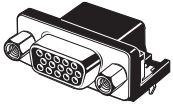
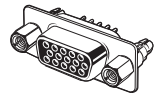



Connectors and Anchors

Standard-density

| Model | XM3B-L | XM2C-L | XM2E-L | XM2F-L |
|------------|--|--|--|--|
| Type | Sockets with Right-angle DIP Terminals | Plugs with Right-angle DIP Terminals | Plugs with Straight DIP Terminals | Sockets with Straight DIP Terminals |
| Appearance |  |  |  |  |

High-density

| Model | XM4K | XM4L | | XM4Z |
|------------|---|---|---|---|
| Type | Plugs with Right-angle DIP Terminals | Sockets with Right-angle DIP Terminals | Sockets with Straight DIP Terminals | Anchor #2 or #3 |
| Appearance |  |  |  |  |

■ Ratings and Characteristics

| | |
|-------------------------------|---|
| Rated current | 3 A (at 20°C) |
| Rated voltage | 300 VAC |
| Contact resistance | 20 mΩ max. (at 20 mV, 100 mA max.) |
| Insulation resistance | 1,000 MΩ min. (at 500 VDC for 1 minute) |
| Dielectric strength | 1,000 VAC for 1 min. (leakage current: 1 mA max.) |
| Insertion Durability | 100 times |
| Ambient operating temperature | -25°C to 105°C (with no icing at low temperature) |

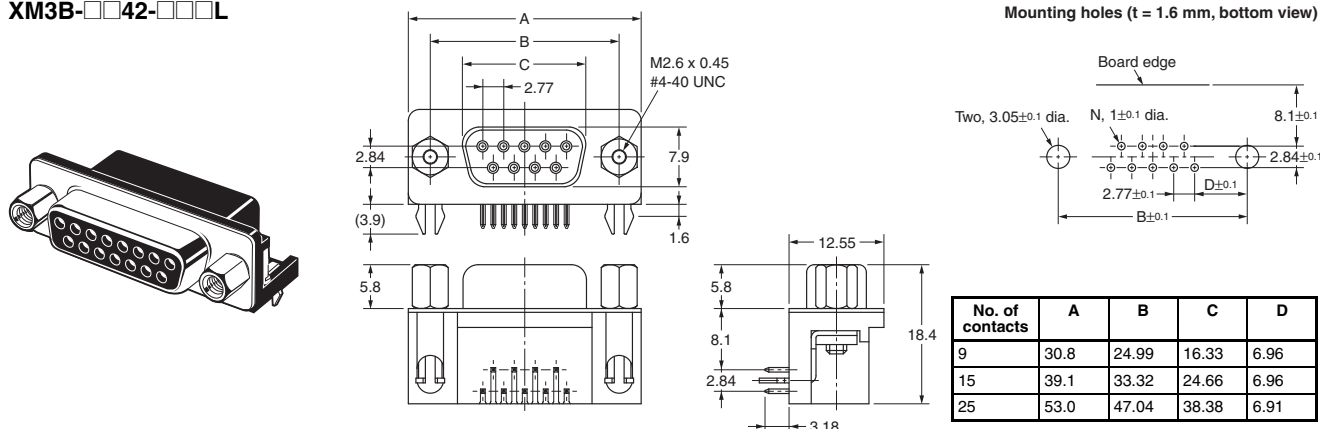
■ Materials and Finish

| | | |
|-------------------------------|--|-------------------------|
| Housing | Fiber-glass reinforced PBT resin (UL94V-0)/black | |
| Socket Contact and terminal | Phosphor Bronze. Nickel base, flash gold plated | |
| Plug Contact and terminal | Brass. Nickel base, flash gold plated | |
| Shell | Steel. Nickel plated | |
| Anchors | Steel. Nickel plated | |
| Locking Pin Grounding Fixture | Straight | Brass. Nickel plated |
| | Right-angle | Brass. Tin plated |

XM3B Sockets with Right-angle DIP Terminals

Dimensions

XM3B-□□42-□□□L



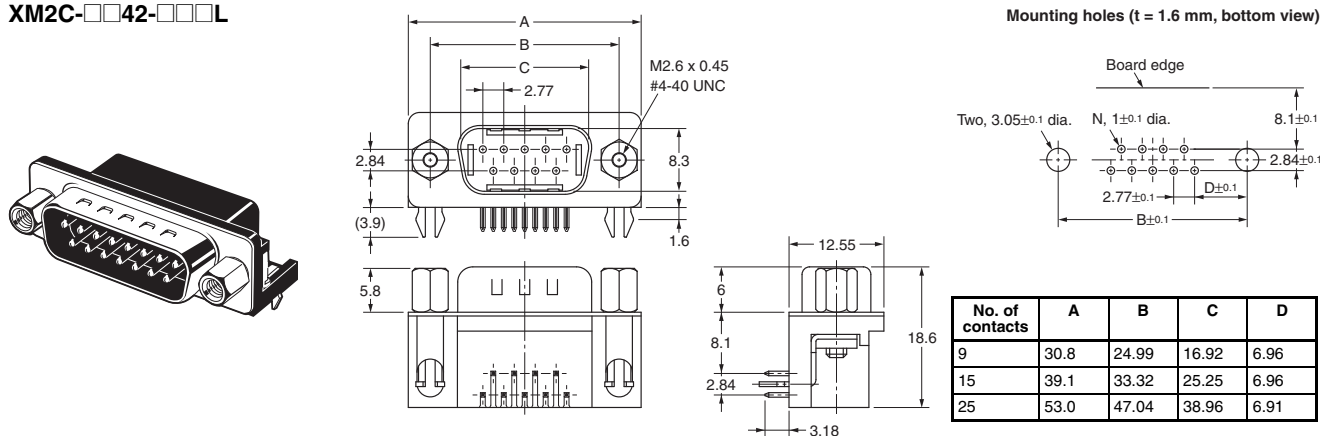
Ordering Information

| Accessories | No Anchors | Anchor 2 (XM4Z-0011) M2.6 x 0.45 | Anchor 2 (XM4Z-0013) #4-40 UNC |
|-----------------|----------------|----------------------------------|--------------------------------|
| No. of contacts | | | |
| 9 | XM3B-0942-502L | XM3B-0942-112L | XM3B-0942-132L |
| 15 | XM3B-1542-502L | XM3B-1542-112L | XM3B-1542-132L |
| 25 | XM3B-2542-502L | XM3B-2542-112L | XM3B-2542-132L |

XM2C Plugs with Right-angle DIP Terminals

Dimensions

XM2C-□□42-□□□L



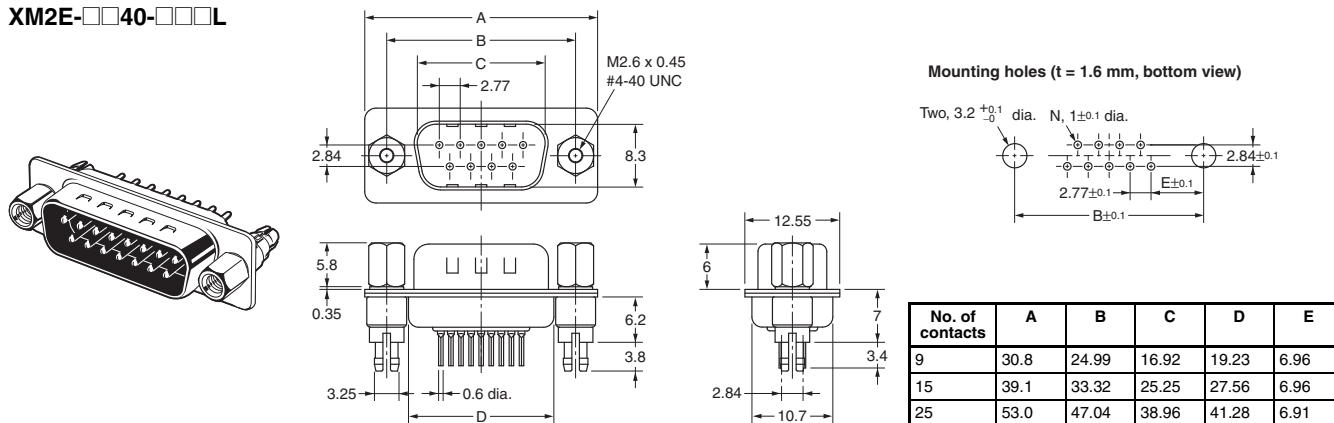
Ordering Information

| Accessories | No Anchors | Anchor 2 (XM4Z-0011) M2.6 x 0.45 | Anchor 2 (XM4Z-0013) #4-40 UNC |
|-----------------|----------------|----------------------------------|--------------------------------|
| No. of contacts | | | |
| 9 | XM2C-0942-502L | XM2C-0942-112L | XM2C-0942-132L |
| 15 | XM2C-1542-502L | XM2C-1542-112L | XM2C-1542-132L |
| 25 | XM2C-2542-502L | XM2C-2542-112L | XM2C-2542-132L |

XM2E Plugs with Straight DIP Terminals

Dimensions

XM2E-□□40-□□□L



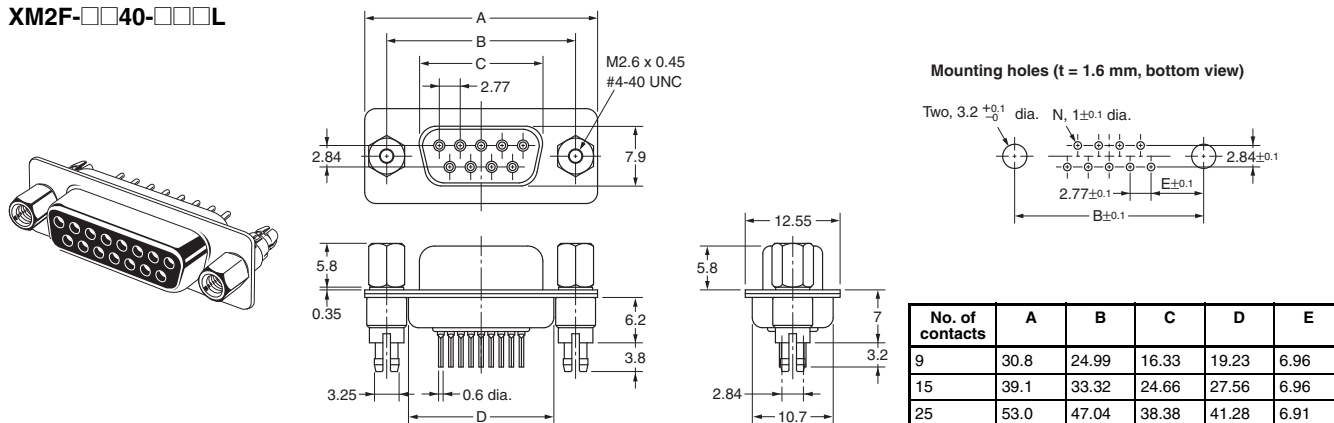
Ordering Information

| Accessories | No Anchors Without ground pins | No Anchors | Anchor 2 (XM4Z-1011) M2.6 x 0.45 | Anchor 2 (XM4Z-1013) #4-40 UNC |
|-----------------|--------------------------------|----------------|----------------------------------|--------------------------------|
| No. of contacts | | | | |
| 9 | XM2E-0940-L | XM2E-0940-502L | XM2E-0940-112L | XM2E-0940-132L |
| 15 | XM2E-1540-L | XM2E-1540-502L | XM2E-1540-112L | XM2E-1540-132L |
| 25 | XM2E-2540-L | XM2E-2540-502L | XM2E-2540-112L | XM2E-2540-132L |

XM2F Sockets with Straight DIP Terminals

Dimensions

XM2F-□□40-□□□L



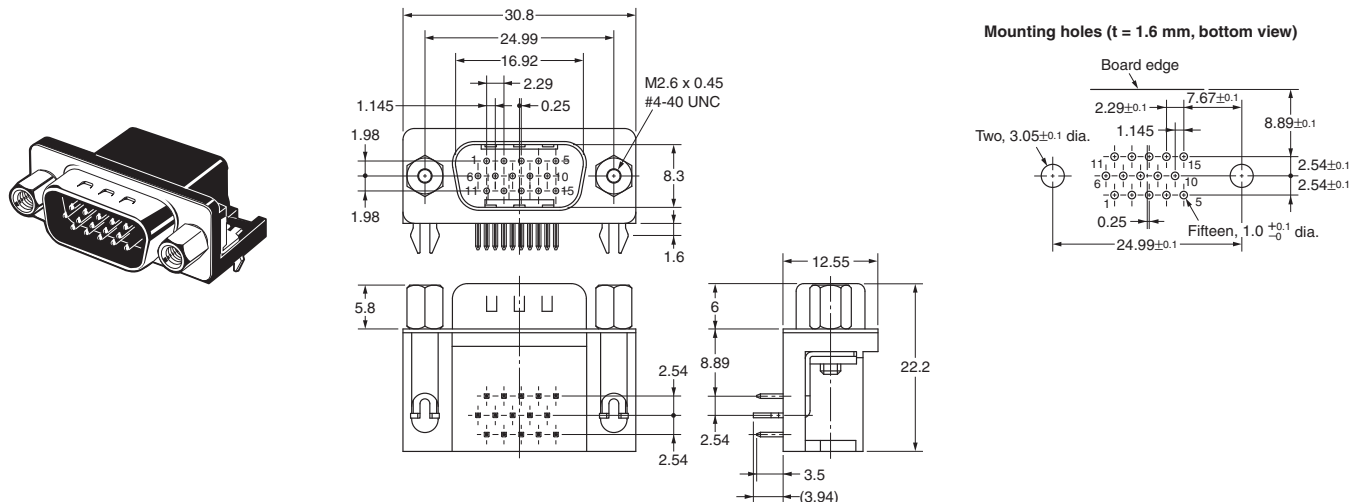
Ordering Information

| Accessories | No Anchors Without ground pins | No Anchors | Anchor 2 (XM4Z-1011) M2.6 x 0.45 | Anchor 2 (XM4Z-1013) #4-40 UNC |
|-----------------|--------------------------------|----------------|----------------------------------|--------------------------------|
| No. of contacts | | | | |
| 9 | XM2F-0940-L | XM2F-0940-502L | XM2F-0940-112L | XM2F-0940-132L |
| 15 | XM2F-1540-L | XM2F-1540-502L | XM2F-1540-112L | XM2F-1540-132L |
| 25 | XM2F-2540-L | XM2F-2540-502L | XM2F-2540-112L | XM2F-2540-132L |

XM4K High-density Plugs with Right-angle DIP Terminals

Dimensions

XM4K-1542-□□□



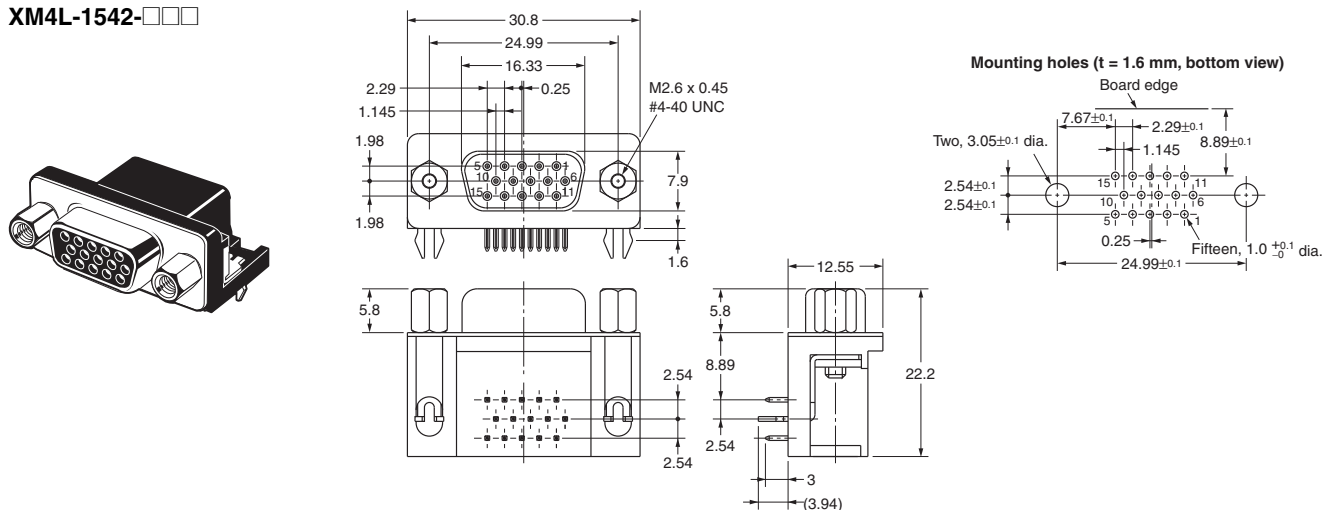
Ordering Information

| Accessories | No Anchors | Anchor 2 (XM4Z-0011) M2.6 x 0.45 | Anchor 2 (XM4Z-0013) #4-40 UNC |
|-----------------|---------------|-------------------------------------|-----------------------------------|
| No. of contacts | | | |
| 15 | XM4K-1542-502 | XM4K-1542-112 | XM4K-1542-132 |

XM4L High-Density Sockets with Right-angle DIP Terminals

Dimensions

XM4L-1542-□□□



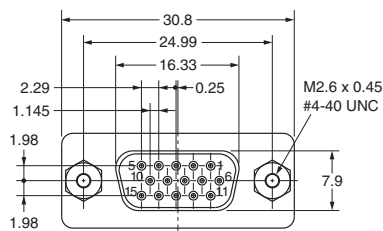
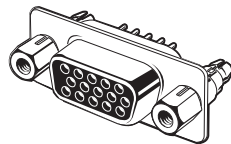
Ordering Information

| Accessories | No Anchors | Anchor 2 (XM4Z-0011) M2.6 x 0.45 | Anchor 2 (XM4Z-0013) #4-40 UNC |
|-----------------|---------------|-------------------------------------|-----------------------------------|
| No. of contacts | | | |
| 15 | XM4L-1542-502 | XM4L-1542-112 | XM4L-1542-132 |

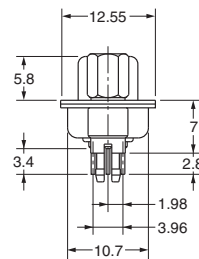
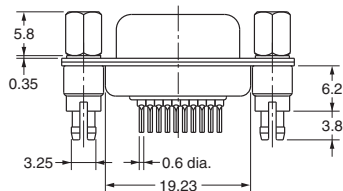
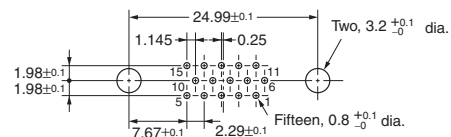
XM4L High-Density Sockets with Straight DIP Terminals

Dimensions

XM4L-1542-□□□



Mounting holes (t = 1.6 mm, bottom view)



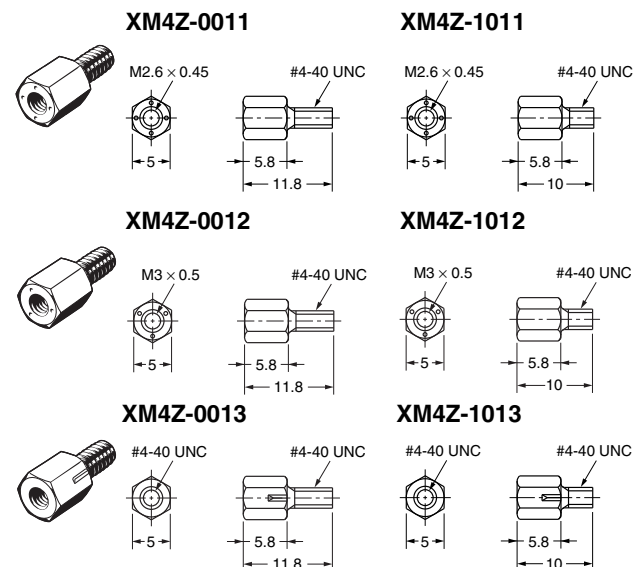
Ordering Information

| Accessories | No Anchors | Anchor 2 (XM4Z-1011) M2.6 x 0.45 | Anchor 2 (XM4Z-1013) #4-40 UNC |
|-----------------|---------------|--|--------------------------------------|
| No. of contacts | | | |
| 15 | XM4L-1541-502 | XM4L-1541-112 | XM4L-1541-132 |

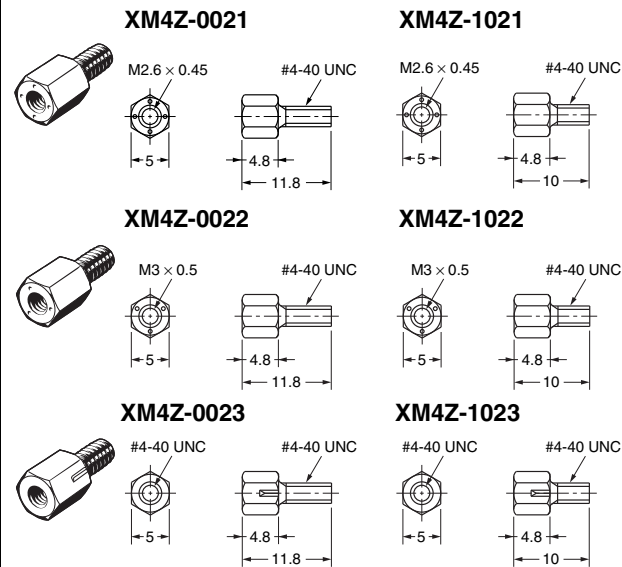
XM4Z - Anchors

Dimensions

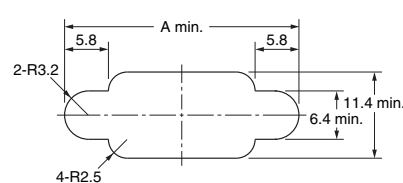
Anchor 2



Anchor 3



Not Panel Mounted (Using Anchor 2)



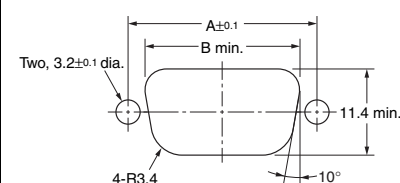
Dimensions

| No. of contacts | A |
|-----------------|------|
| 9 (See note.) | 31.0 |
| 15 | 39.4 |
| 25 | 53.3 |

- Note: 1.** Two Anchors are required per Connector.
2. Applicable panel thickness is less than 1.2 mm.

Note: The XM4K and XM4L use 9-contact dimensions.

Panel Mounted (Using Anchor 3 or M3 Screws)



Dimensions

| No. of contacts | A | B |
|-----------------|-------|------|
| 9 (See note.) | 24.99 | 20.5 |
| 15 | 33.32 | 28.8 |
| 25 | 47.04 | 42.5 |

- Note: 1.** Two Anchors are required per Connector.
2. Applicable panel thickness is less than 1.2 mm.

Note: The XM4K and XM4L use 9-contact dimensions.

Note: 2 anchors are necessary per connector.

Ordering Information

Anchor 2 (Screw Head Length: 5.8 mm)

| Type | For right-angle DIP terminals | | | For straight DIP terminals | | |
|------------|-------------------------------|-----------|-----------|----------------------------|-----------|-----------|
| Appearance | | | | | | |
| Lock screw | M2.6 × 0.45 | M3 × 0.5 | #4-40 UNC | M2.6 × 0.45 | M3 × 0.5 | #4-40 UNC |
| Model | XM4Z-0011 | XM4Z-0012 | XM4Z-0013 | XM4Z-1011 | XM4Z-1012 | XM4Z-1013 |

Anchor 3 (Screw Head Length: 4.8 mm)

| Type | For right-angle DIP terminals | | | For straight DIP terminals | | |
|------------|-------------------------------|-----------|-----------|----------------------------|-----------|-----------|
| Appearance | | | | | | |
| Lock screw | M2.6 × 0.45 | M3 × 0.5 | #4-40 UNC | M2.6 × 0.45 | M3 × 0.5 | #4-40 UNC |
| Model | XM4Z-0021 | XM4Z-0022 | XM4Z-0023 | XM4Z-1021 | XM4Z-1022 | XM4Z-1023 |

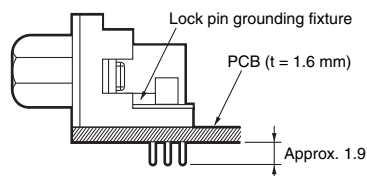
Precautions

■ Correct Use

Grounding (Lock Pin Grounding Fixture)

To ground, provide copper foil around the Connector Attachment hole on the board, assemble the connector and grounding fixture, and dip in solder as shown below.

Insert the connector into the PCB and then simultaneously dip-solder the connector terminals and lock pin to the board.



Tightening Torque of Anchor and Grounding Fixture

If the anchor is secured to the connector, be sure to tighten it to a torque of 0.49 N·m.

Also, use a proper size tool to do this work.

Soldering - Automated Soldering Conditions (Jet Flow)

1. Soldering temperature: 250 ±5°C
2. Continuous soldering time: Within 5 s

Combination of hexagonal anchors for each connector (in post installation)

| Type | Model | Without panel insertion | With panel insertion | Commercially available nut |
|---------------------|----------------|-------------------------|----------------------|----------------------------|
| Dip L type socket | XM4L-1542-502 | XM4Z-001□ | XM4Z-002□ | Not necessary |
| | XM3B-□□42-502L | | | |
| Dip L type plug | XM4K-1542-502 | XM4Z-001□ | XM4Z-002□ | Not necessary |
| | XM2C-□□42-502L | | | |
| Dip straight socket | XM4L-1541-502 | XM4Z-101□ | XM4Z-102□ | Not necessary |
| | XM2F-□□40-L | | | Necessary |
| | XM2F-□□40-502L | | | Not necessary |
| Dip straight plug | XM2E-□□40-L | XM4Z-101□ | XM4Z-102□ | Necessary |
| | XM2E-□□40-502L | | | Not necessary |

All sales are subject to Omron Electronic Components LLC standard terms and conditions of sale, which can be found at http://www.components.omron.com/components/web/webfiles.nsf/sales_terms.html

ALL DIMENSIONS SHOWN ARE IN MILLIMETERS.
To convert millimeters into inches, multiply by 0.03937. To convert grams into ounces, multiply by 0.03527.

OMRON[®]

**OMRON ELECTRONIC
COMPONENTS LLC**

55 E. Commerce Drive, Suite B
Schaumburg, IL 60173

847-882-2288

OMRON ON-LINE

Global - <http://www.omron.com>

USA - <http://www.components.omron.com>

Данный компонент на территории Российской Федерации

Вы можете приобрести в компании MosChip.

Для оперативного оформления запроса Вам необходимо перейти по данной ссылке:

<http://moschip.ru/get-element>

Вы можете разместить у нас заказ для любого Вашего проекта, будь то серийное производство или разработка единичного прибора.

В нашем ассортименте представлены ведущие мировые производители активных и пассивных электронных компонентов.

Нашей специализацией является поставка электронной компонентной базы двойного назначения, продукции таких производителей как XILINX, Intel (ex.ALTERA), Vicor, Microchip, Texas Instruments, Analog Devices, Mini-Circuits, Amphenol, Glenair.

Сотрудничество с глобальными дистрибьюторами электронных компонентов, предоставляет возможность заказывать и получать с международных складов практически любой перечень компонентов в оптимальные для Вас сроки.

На всех этапах разработки и производства наши партнеры могут получить квалифицированную поддержку опытных инженеров.

Система менеджмента качества компании отвечает требованиям в соответствии с ГОСТ Р ИСО 9001, ГОСТ РВ 0015-002 и ЭС РД 009

Офис по работе с юридическими лицами:

105318, г.Москва, ул.Щербаковская д.3, офис 1107, 1118, ДЦ «Щербаковский»

Телефон: +7 495 668-12-70 (многоканальный)

Факс: +7 495 668-12-70 (доб.304)

E-mail: info@moschip.ru

Skype отдела продаж:

moschip.ru

moschip.ru_4

moschip.ru_6

moschip.ru_9