



# Nonvolatile RAM Controller

MXD1210

## General Description

The MXD1210 nonvolatile RAM controller is a very low-power CMOS circuit that converts standard (volatile) CMOS RAM into nonvolatile memory. It also continually monitors the power supply to provide RAM write protection when power to the RAM is in a marginal (out-of-tolerance) condition. When the power supply begins to fail, the RAM is write-protected, and the device switches to battery-backup mode.

## Applications

- Microprocessor Systems
- Computers
- Embedded Systems

## Pin Configurations



## Features

- ◆ Battery Backup
- ◆ Memory Write Protection
- ◆ 230µA Operating Mode Quiescent Current
- ◆ 2nA Backup Mode Quiescent Current
- ◆ Battery Freshness Seal
- ◆ Optional Redundant Battery
- ◆ Low Forward-Voltage Drop on V<sub>CC</sub> Supply Switch
- ◆ 5% or 10% Power-Fail Detection Options
- ◆ Tests Battery Condition During Power-Up
- ◆ 8-Pin SO Available

## Ordering Information

PART	TEMP RANGE	PIN-PACKAGE
MXD1210C/D	0°C to +70°C	Dice*
MXD1210CPA	0°C to +70°C	8 PDIP
MXD1210CSA	0°C to +70°C	8 SO
MXD1210CWE	0°C to +70°C	16 Wide SO
MXD1210EPA	-40°C to +85°C	8 PDIP
MXD1210ESA	-40°C to +85°C	8 SO
MXD1210EWE	-40°C to +85°C	16 Wide SO
MXD1210MJA	-55°C to +125°C	8 CERDIP

\* Contact factory for dice specifications.

Devices in PDIP and SO packages are available in both leaded and lead-free packaging. Specify lead free by adding the + symbol at the end of the part number when ordering. Lead free not available for CERDIP package.

## Typical Operating Circuit



# Nonvolatile RAM Controller

## ABSOLUTE MAXIMUM RATINGS

V <sub>CCI</sub> to GND .....	-0.3V to +7.0V	8-Pin SO (derate 5.88mW/°C above +70°C).....	471mW
VBATT1 to GND.....	-0.3V to +7.0V	8-Pin CERDIP (derate 8.00mW/°C above +70°C).....	640mW
VBATT2 to GND.....	-0.3V to +7.0V	16-Pin Wide SO (derate 9.52mW/°C above +70°C) .....	762mW
V <sub>CCO</sub> to GND .....	-0.3V to (V <sub>S</sub> + 0.3V)	Operating Temperature Range	
	(V <sub>S</sub> = greater of V <sub>CCI</sub> , VBATT1, VBATT2)	C Suffix.....	0°C to +70°C
Digital Input and Output		E Suffix.....	-40°C to +85°C
Voltages to GND.....	-0.3V to (V <sub>CCI</sub> + 0.3V)	M Suffix .....	-55°C to +125°C
Continuous Power Dissipation (T <sub>A</sub> = +70°C)		Storage Temperature Range .....	-65°C to +150°C
8-Pin PDIP (derate 9.09mW/°C above +70°C).....	727mW	Lead Temperature (soldering, 10s) .....	+300°C

Stresses beyond those listed under "Absolute Maximum Ratings" may cause permanent damage to the device. These are stress ratings only, and functional operation of the device at these or any other conditions beyond those indicated in the operational sections of the specifications is not implied. Exposure to absolute maximum rating conditions for extended periods may affect device reliability.

## RECOMMENDED OPERATING CONDITIONS

(T<sub>A</sub> = T<sub>MIN</sub> to T<sub>MAX</sub>, unless otherwise noted.)

PARAMETER	SYMBOL	CONDITIONS	MIN	TYP	MAX	UNITS
Supply Voltage	V <sub>CCI</sub>	TOL = GND	4.75		5.50	V
		TOL = V <sub>CCO</sub>	4.50		5.50	
Input High Voltage	V <sub>IH</sub>		2.2			V
Input Low Voltage	V <sub>IL</sub>				0.8	V
Battery Voltage	VBATT1 VBATT2	1 or 2 batteries (Note 1)	2.0		4.0	V

## ELECTRICAL CHARACTERISTICS—Normal Supply Mode, TOL = V<sub>CCO</sub>

(V<sub>CCI</sub> = +4.75V to +5.5V, TOL = GND; or V<sub>CCI</sub> = +4.5V to +5.5V, TOL = V<sub>CCO</sub>; T<sub>A</sub> = T<sub>MIN</sub> to T<sub>MAX</sub>, unless otherwise noted.)

PARAMETER	SYMBOL	CONDITIONS	MIN	TYP	MAX	UNITS	
Supply Current	I <sub>CCI</sub>	V <sub>CCO</sub> , $\overline{CEO}$ open, VBATT1 = VBATT2 = 3V		0.23	0.5	mA	
Output Supply Voltage	V <sub>CCO</sub>	I <sub>CCO1</sub> = 80mA (Note 2)	MXD1210C	V <sub>CCI</sub> - 0.20		V	
			MXD1210E	V <sub>CCI</sub> - 0.21			
			MXD1210M	V <sub>CCI</sub> - 0.25			
Output Supply Current	I <sub>CCO</sub>	V <sub>CCI</sub> - V <sub>CCO</sub> ≤ 0.2V (Note 2)	MXD1210C		80	mA	
			MXD1210E		0.23		75
			MXD1210M		0.23		65
Input Leakage Current	I <sub>IL</sub>				±1.0	μA	
Output Leakage Current	I <sub>OL</sub>				±1.0	μA	
High-Level Output Voltage	V <sub>OH</sub>	I <sub>OH</sub> = -1mA	2.4			V	
Low-Level Output Voltage	V <sub>OL</sub>	I <sub>OL</sub> = 4mA			0.4	V	
V <sub>CCI</sub> Trip Point	V <sub>CCTP</sub>	TOL = GND	4.50		4.74	V	
		TOL = V <sub>CCO</sub>	4.25		4.49		

# Nonvolatile RAM Controller

## ELECTRICAL CHARACTERISTICS—Battery-Backup Mode

( $V_{CCI} < V_{BATT}$ , positive edge rate at  $V_{BATT1}$ ,  $V_{BATT2} > 0.1V/\mu s$ ,  $T_A = T_{MIN}$  to  $T_{MAX}$ , unless otherwise noted.)

PARAMETER	SYMBOL	CONDITIONS	MIN	TYP	MAX	UNITS
Quiescent Current (Note 1)	$I_{BATT}$	$V_{CCO}$ , $\overline{CE}$ open, $V_{CCI} = 0V$		2	100	nA
			MXD1210C/E			
					5	$\mu A$
Output Supply Current	$I_{CCO2}$	$V_{BATT} - V_{CCO} \leq 0.2V$ (Notes 3, 4)			300	$\mu A$
$\overline{CE}$ Output Voltage	$V_O$	Output open		$V_{BATT} - 0.2$		V

## CAPACITANCE

( $T_A = T_{MIN}$  to  $T_{MAX}$ , unless otherwise noted.) (Note 5)

PARAMETER	SYMBOL	CONDITIONS	MIN	TYP	MAX	UNITS
Input Capacitance	$C_{IN}$				5	pF
Output Capacitance	$C_{OUT}$				7	pF

## V<sub>CC</sub> POWER TIMING CHARACTERISTICS

( $V_{CC} = +4.75V$  to  $+5.5V$ ,  $TOL = GND$ ; or  $V_{CCI} = +4.5V$  to  $+5.5V$ ,  $TOL = V_{CCO}$ ,  $T_A = T_{MIN}$  to  $T_{MAX}$ , unless otherwise noted.)

PARAMETER	SYMBOL	CONDITIONS	MIN	TYP	MAX	UNITS	
$\overline{CE}$ Propagation Delay	$t_{PD}$	$R_L = 1k\Omega$ , $C_L = 50pF$	MXD1210C	5	10	20	ns
			MXD1210E	5	10	22	
			MXD1210M	5	10	25	
$\overline{CE}$ High to Power-Fail	$t_{PF}$	(Note 5)		0		ns	

## TIMING CHARACTERISTICS

( $V_{CC} < +4.75V$  to  $+5.5V$ ,  $TOL = GND$ ; or  $V_{CCI} < +4.5V$ ,  $TOL = V_{CCO}$ ,  $T_A = T_{MIN}$  to  $T_{MAX}$ , unless otherwise noted.)

PARAMETER	SYMBOL	CONDITIONS	MIN	TYP	MAX	UNITS
Recovery at Power-Up	$t_{REC}$		2	5	20	ms
$V_{CC}$ Slew-Rate Power-Down	$t_F$	To out-of-tolerance condition	300			$\mu s$
	$t_{FB}$	Tolerance to battery power	10			
$V_{CC}$ Slew-Rate Power-Up	$t_R$		0			$\mu s$
$\overline{CE}$ Pulse Width	$t_{CE}$	(Note 6)			1.5	$\mu s$

**Note 1:** Only one battery input is required. Unused battery inputs must be grounded.

**Note 2:**  $I_{CCO1}$  is the maximum average load current the MXD1210 can supply to the memories.

**Note 3:**  $I_{CCO2}$  is the maximum average load current the MXD1210 can supply to the memories in battery-backup mode.

**Note 4:**  $\overline{CE}$  can sustain leakage current only in battery-backup mode.

**Note 5:** Guaranteed by design.

**Note 6:**  $t_{CE}$  max must be met to ensure data integrity on power loss.

# Nonvolatile RAM Controller

## Pin Description

PIN		NAME	FUNCTION
8-PIN PDIP/SO	16-PIN WIDE SO		
1	2	V <sub>CC0</sub>	Backed-Up Supply to RAM
2	4	VBATT1	Battery 1 Positive Connection
3	6	TOL	Tolerance Select Pin
4	8	GND	Ground
5	9	$\overline{\text{CE}}$	Chip-Enable Input
6	11	$\overline{\text{CEO}}$	Chip-Enable Output
7	13	VBATT2	Battery 2 Positive Connection
8	15	V <sub>CC1</sub>	5V Power Supply to Chip
—	1, 3, 5, 7, 10, 12, 14, 16	N.C.	No Connection. Not internally connected.



Figure 1. Block Diagram

# Nonvolatile RAM Controller

## Detailed Description

### Main Functions

The MXD1210 executes five main functions to perform reliable RAM operation and battery backup (see the *Typical Operating Circuit* and Figure 1):

- 1) RAM Power-Supply Switch: The switch directs power to the RAM from the incoming supply or from the selected battery, whichever is at the greater voltage. The switch control uses the same criterion to direct power to MXD1210 internal circuitry.
- 2) Power-Failure Detection: The write-protection function is enabled when a power failure is detected. The power-failure detection range depends on the state of the TOL pin as follows:

CONDITION	V <sub>CCTP</sub> RANGE (V)
TOL = GND	4.75 to 4.50
TOL = V <sub>CC0</sub>	4.50 to 4.25

Power-failure detection is independent of the battery-backup function and precedes it sequentially as the power-supply voltage drops during a typical power failure.

- 3) Write Protection: This holds the chip-enable output ( $\overline{CEO}$ ) to within 0.2V of V<sub>CC1</sub> or of the selected battery, whichever is greater. If the chip-enable input ( $\overline{CE}$ ) is low (active) when power failure is detected, then  $\overline{CEO}$  is held low until  $\overline{CE}$  is brought high, at which time  $\overline{CEO}$  is gated high for the duration of the power failure. The preceding sequence completes the current RD/WR cycle, preventing data corruption if the RAM access is a WR cycle.
- 4) Battery Redundancy: A second battery is optional. When two batteries are connected, the stronger battery is selected to provide RAM backup and to power the MXD1210. The battery-selection circuitry remains active while in the battery-backup mode, selecting the stronger bat-

tery and isolating the weaker one. The battery-selection activity is transparent to the user and the system. If only one battery is connected, the second battery input should be grounded.

- 5) Battery-Status Warning: This notifies the system when the stronger of the two batteries measures  $\leq 2.0V$ . Each time the MXD1210 is repowered (V<sub>CC1</sub> > V<sub>CCTP</sub>) after detecting a power failure, the battery voltage is measured. If the battery in use is low, following the MXD1210 recovery period, the device issues a warning to the system by inhibiting the second memory cycle. The sequence is as follows:

First access: read memory location n, loc(n) = x

Second access: write memory location n,

loc(n) = complement (x)

Third access: read memory location n, loc(n) = ?

If the third access (read) is complement (x), then the battery is good; otherwise the battery is not good. Return to loc(n) = x following the test sequence.

### Freshness-Seal Mode

The freshness-seal mode relates to battery longevity during storage rather than directly to battery backup. This mode is activated when the first battery is connected, and is defeated when the voltage at V<sub>CC1</sub> first exceeds V<sub>CCTP</sub>. In the freshness-seal mode, both batteries are isolated from the system; that is, no current is drained from either battery, and the RAM is not powered by either battery. This means that batteries can be installed and the system can be held in inventory without battery discharge. The positive edge rate at VBATT1 and VBATT2 should exceed 0.1V/ $\mu$ s. The batteries will maintain their full shelf life while installed in the system.

### Battery Backup

The *Typical Operating Circuit* shows the MXD1210 connected to write-protect the RAM when V<sub>CC</sub> is less than 4.75V, and to provide battery backup to the supply.

# Nonvolatile RAM Controller



Figure 2. Power-Up Timing Diagram

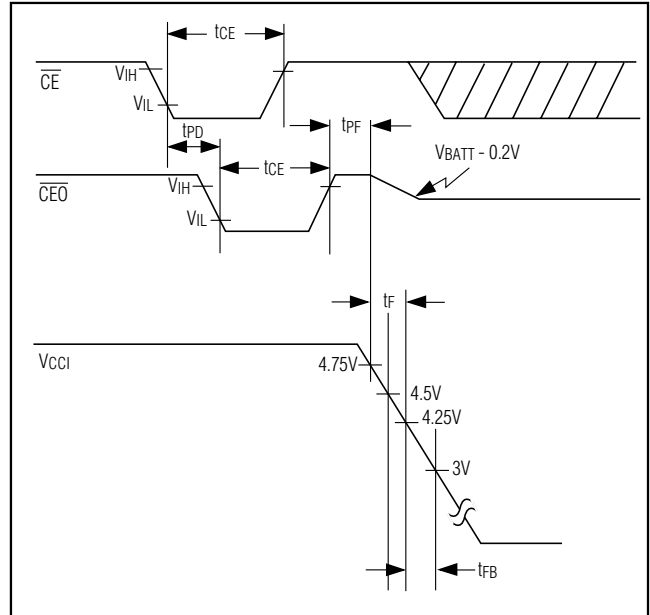
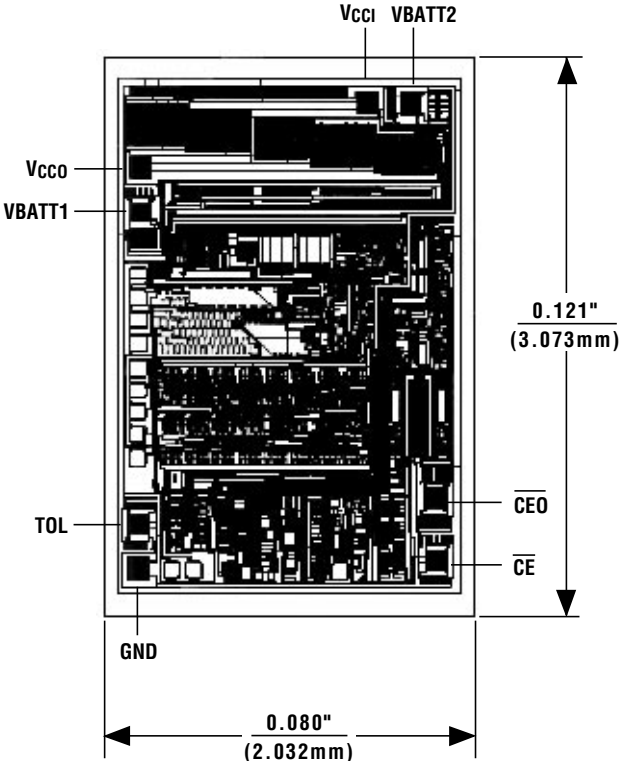


Figure 3. Power-Down Timing Diagram

# Nonvolatile RAM Controller

**MXD1210**

## Chip Topography



TRANSISTOR COUNT: 1436;  
LEAVE SUBSTRATE UNCONNECTED.

# Nonvolatile RAM Controller

## Package Information

(The package drawing(s) in this data sheet may not reflect the most current specifications. For the latest package outline information go to [www.maxim-ic.com/packages](http://www.maxim-ic.com/packages).)



TOP VIEW



FRONT VIEW



SIDE VIEW


DIM	INCHES		MILLIMETERS	
	MIN	MAX	MIN	MAX
A	0.053	0.069	1.35	1.75
A1	0.004	0.010	0.10	0.25
B	0.014	0.019	0.35	0.49
C	0.007	0.010	0.19	0.25
e	0.050 BSC		1.27 BSC	
E	0.150	0.157	3.80	4.00
H	0.228	0.244	5.80	6.20
L	0.016	0.050	0.40	1.27

VARIATIONS:

DIM	INCHES		MILLIMETERS		N	MS012
	MIN	MAX	MIN	MAX		
D	0.189	0.197	4.80	5.00	8	AA
D	0.337	0.344	8.55	8.75	14	AB
D	0.386	0.394	9.80	10.00	16	AC

NOTES:

1. D&E DO NOT INCLUDE MOLD FLASH.
2. MOLD FLASH OR PROTRUSIONS NOT TO EXCEED 0.15mm (.006").
3. LEADS TO BE COPLANAR WITHIN 0.10mm (.004").
4. CONTROLLING DIMENSION: MILLIMETERS.
5. MEETS JEDEC MS012.
6. N = NUMBER OF PINS.

	<b>DALLAS SEMICONDUCTOR</b>	<b>MAXIM</b>
PROPRIETARY INFORMATION		
TITLE:		
PACKAGE OUTLINE, .150" SOIC		
APPROVAL	DOCUMENT CONTROL NO.	REV.
	21-0041	B 1/1

SOICN.EPS

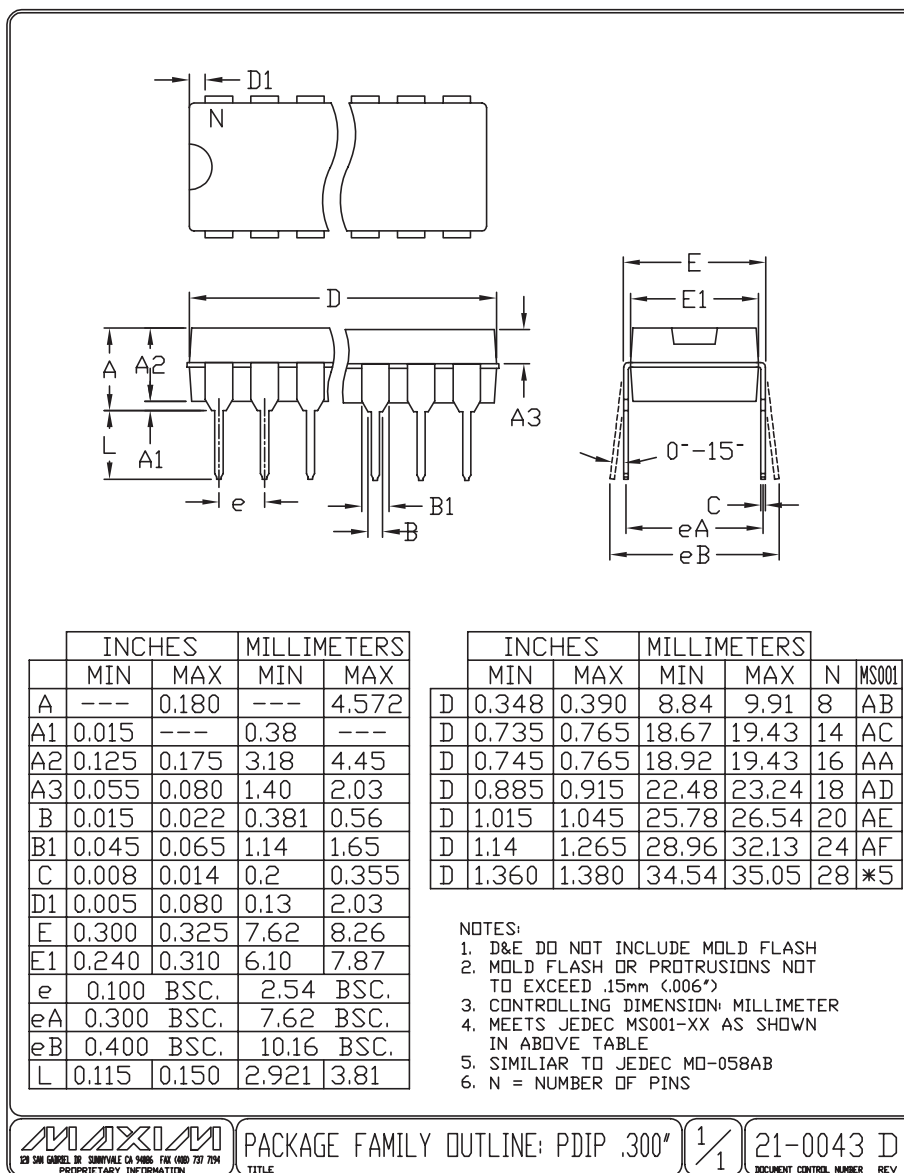


# Nonvolatile RAM Controller

## Package Information (continued)

(The package drawing(s) in this data sheet may not reflect the most current specifications. For the latest package outline information go to [www.maxim-ic.com/packages](http://www.maxim-ic.com/packages).)

MXD1210



Maxim cannot assume responsibility for use of any circuitry other than circuitry entirely embodied in a Maxim product. No circuit patent licenses are implied. Maxim reserves the right to change the circuitry and specifications without notice at any time.

## Данный компонент на территории Российской Федерации

### Вы можете приобрести в компании MosChip.

Для оперативного оформления запроса Вам необходимо перейти по данной ссылке:

<http://moschip.ru/get-element>

Вы можете разместить у нас заказ для любого Вашего проекта, будь то серийное производство или разработка единичного прибора.

В нашем ассортименте представлены ведущие мировые производители активных и пассивных электронных компонентов.

Нашей специализацией является поставка электронной компонентной базы двойного назначения, продукции таких производителей как XILINX, Intel (ex.ALTERA), Vicor, Microchip, Texas Instruments, Analog Devices, Mini-Circuits, Amphenol, Glenair.

Сотрудничество с глобальными дистрибьюторами электронных компонентов, предоставляет возможность заказывать и получать с международных складов практически любой перечень компонентов в оптимальные для Вас сроки.

На всех этапах разработки и производства наши партнеры могут получить квалифицированную поддержку опытных инженеров.

Система менеджмента качества компании отвечает требованиям в соответствии с ГОСТ Р ИСО 9001, ГОСТ РВ 0015-002 и ЭС РД 009

### Офис по работе с юридическими лицами:

105318, г.Москва, ул.Щербаковская д.3, офис 1107, 1118, ДЦ «Щербаковский»

Телефон: +7 495 668-12-70 (многоканальный)

Факс: +7 495 668-12-70 (доб.304)

E-mail: [info@moschip.ru](mailto:info@moschip.ru)

Skype отдела продаж:

moschip.ru

moschip.ru\_4

moschip.ru\_6

moschip.ru\_9