

**Features:**

- Cable length: See Page 2
- Cable OD 0.81mm
- Connector 1: RP SMA Female
- Connector 2: I-PEX MHF4 or equivalent
- Attenuation 1dB @ 1GHz
- Attenuation 3.5dB @ 6GHz
- RoHS Compliant

**Applications:**

- Jumper Cable



All dimensions are in mm / inches

Issue: 1901

In the effort to improve our products, we reserve the right to make changes judged to be necessary.

CONFIDENTIAL AND PROPRIETARY INFORMATION

This document contains confidential and proprietary information of Pulse Electronics, Inc. (Pulse) and is protected by copyright, trade secret and other state and federal laws. Its receipt or possession does not convey any rights to reproduce, disclose its contents, or to manufacture, use or sell anything it may describe. Reproduction, disclosure or use without specific written authorization of Pulse is strictly forbidden.

For more information:

Pulse Worldwide Headquarters  
15255 Innovation Drive #100  
San Diego, CA 92128  
USA  
Tel: 1-858-674-8100

Pulse/Larsen Antennas  
18110 SE 34<sup>th</sup> St Bldg 2 Suite 250  
Vancouver, WA 98683  
USA  
Tel: 1-360-944-7551

Europe Headquarters  
Pulse GmbH & Do, KG  
Zeppelinstrasse 15  
Herrenberg, Germany  
Tel: 49 7032 7806 0

Pulse (Suzhou) Wireless Products Co, Inc.  
99 Huo Ju Road(#29 Bldg,4<sup>th</sup> Phase  
Suzhou New District  
Jiangsu Province, Suzhou 215009 PR China  
Tel: 86 512 6807 9998



Description: **MHF4 – RP SMA Female Jumper Cable**

Series: **Cable Assembly**

**PART NUMBER: W9037BDXXXX**

**ELECTRICAL SPECIFICATIONS**

Frequency	0~8GHz
Nominal Impedance	50±2 Ω
RL of Port-SMA	-12dB(Max)
RL of Port-MHF4	-12dB(Max)
Max operating voltage(V)	1000

Frequency	Overall Attenuation/dB		
	W9037BD0100	W9037BD0200	W9037BD0250
0.1MHz	0.05	0.06	0.07
1G	0.45	0.75	0.89
2G	0.63	1.06	1.27
3G	0.79	1.33	1.58
4G	0.95	1.58	1.88
5G	1.08	1.81	2.15
6G	1.34	2.11	2.45
7G	1.57	2.42	2.90
8G	1.91	2.77	3.15

**MECHANICAL SPECIFICATIONS**

	Connector Type	Cable Tpye	Overall Length(m m/in)	Cable Length(m m/in)	Weight(g)	Color
W9037BD0100	I-PEX MHF4 or equivalent + RP SMA Female with Spring Washer	Φ0.81 MM Coaxial Cable, Black	116/4.57	100/3.94	3	Black
W9037BD0200			216/8.50	200/7.87	3.3	
W9037BD0250			266/10.47	250/9.84	3.5	

**ENVIRONMENTAL SPECIFICATIONS**

Operating Temperature	-40~85° C
Storage Temperature	-40~85° C
RoHS Compliant	Yes

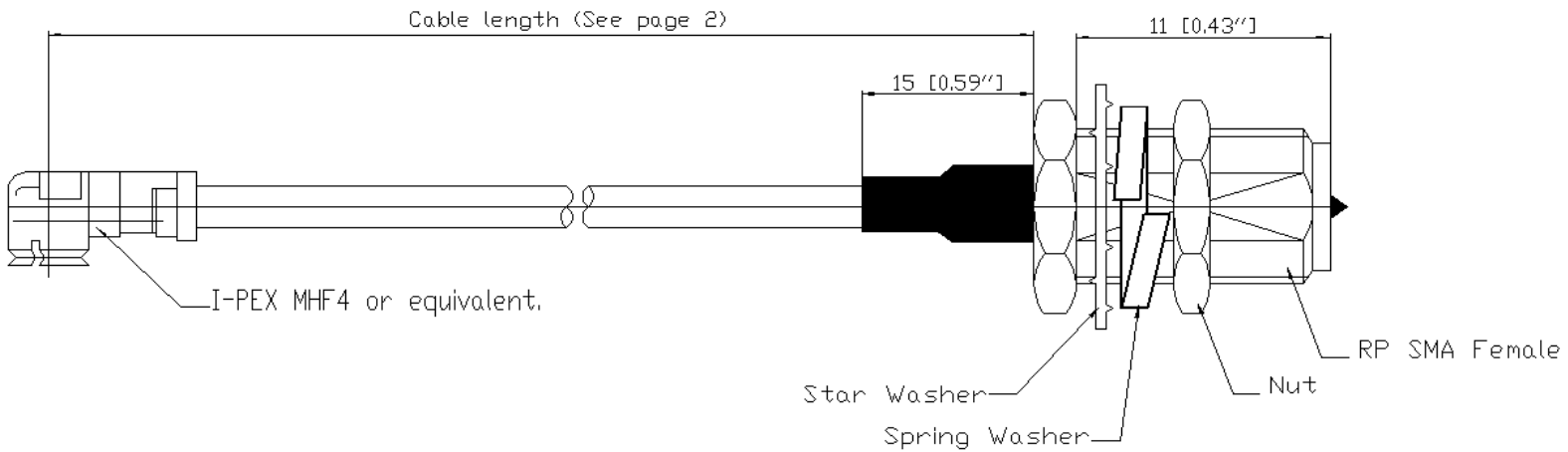
Issue: 1901

In the effort to improve our products, we reserve the right to make changes judged to be necessary.

CONFIDENTIAL AND PROPRIETARY INFORMATION

This document contains confidential and proprietary information of Pulse Electronics, Inc. (Pulse) and is protected by copyright, trade secret and other state and federal laws. Its receipt or possession does not convey any rights to reproduce, disclose its contents, or to manufacture, use or sell anything it may describe. Reproduction, disclosure or use without specific written authorization of Pulse is strictly forbidden.

MECHANICAL DRAWING



Issue: 1901

In the effort to improve our products, we reserve the right to make changes judged to be necessary.

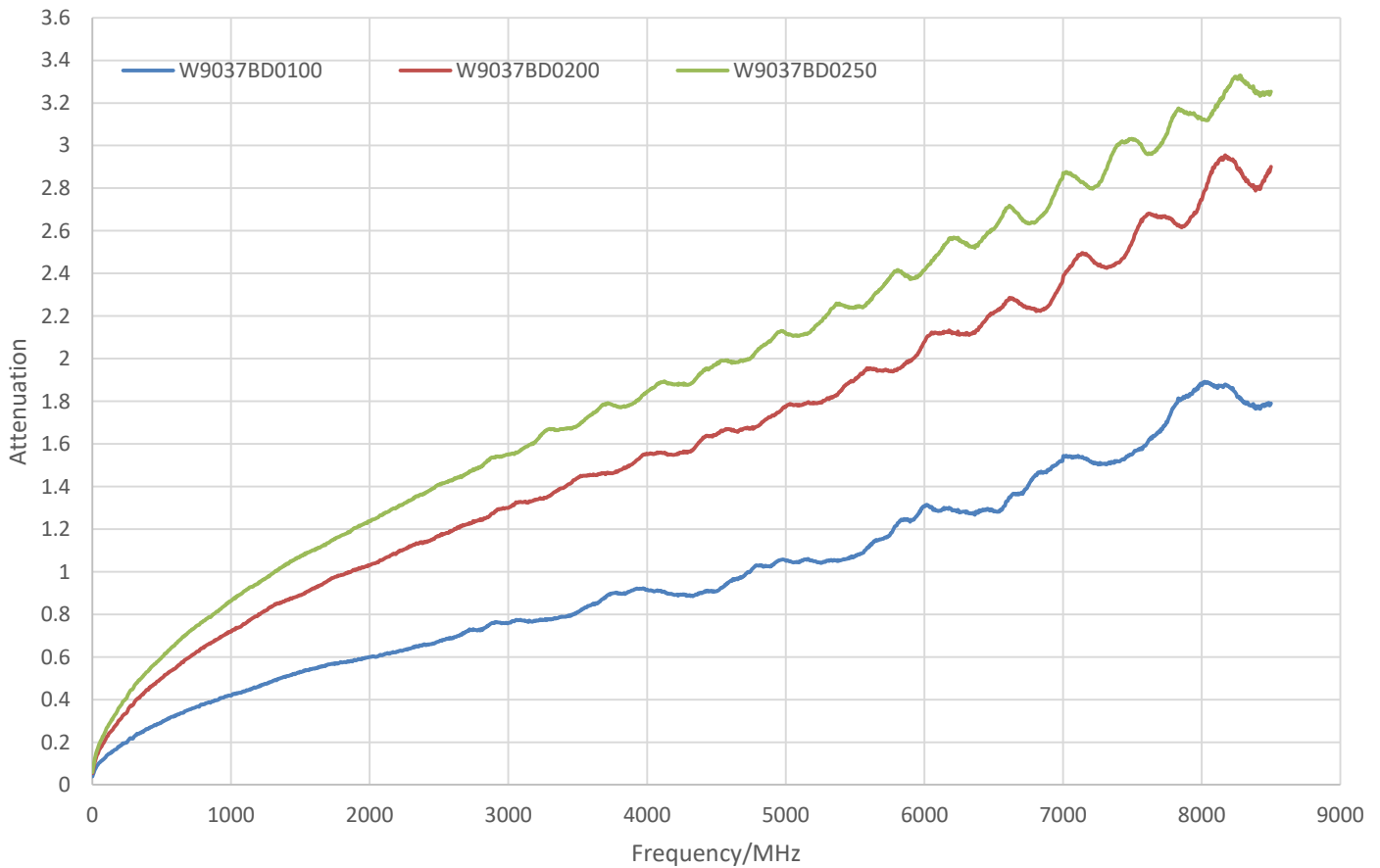
CONFIDENTIAL AND PROPRIETARY INFORMATION

This document contains confidential and proprietary information of Pulse Electronics, Inc. (Pulse) and is protected by copyright, trade secret and other state and federal laws. Its receipt or possession does not convey any rights to reproduce, disclose its contents, or to manufacture, use or sell anything it may describe. Reproduction, disclosure or use without specific written authorization of Pulse is strictly forbidden.

**CHARTS**

Attenuation of the W9037 vs Frequency

W9037/Attenuation



Issue: 1901

In the effort to improve our products, we reserve the right to make changes judged to be necessary.

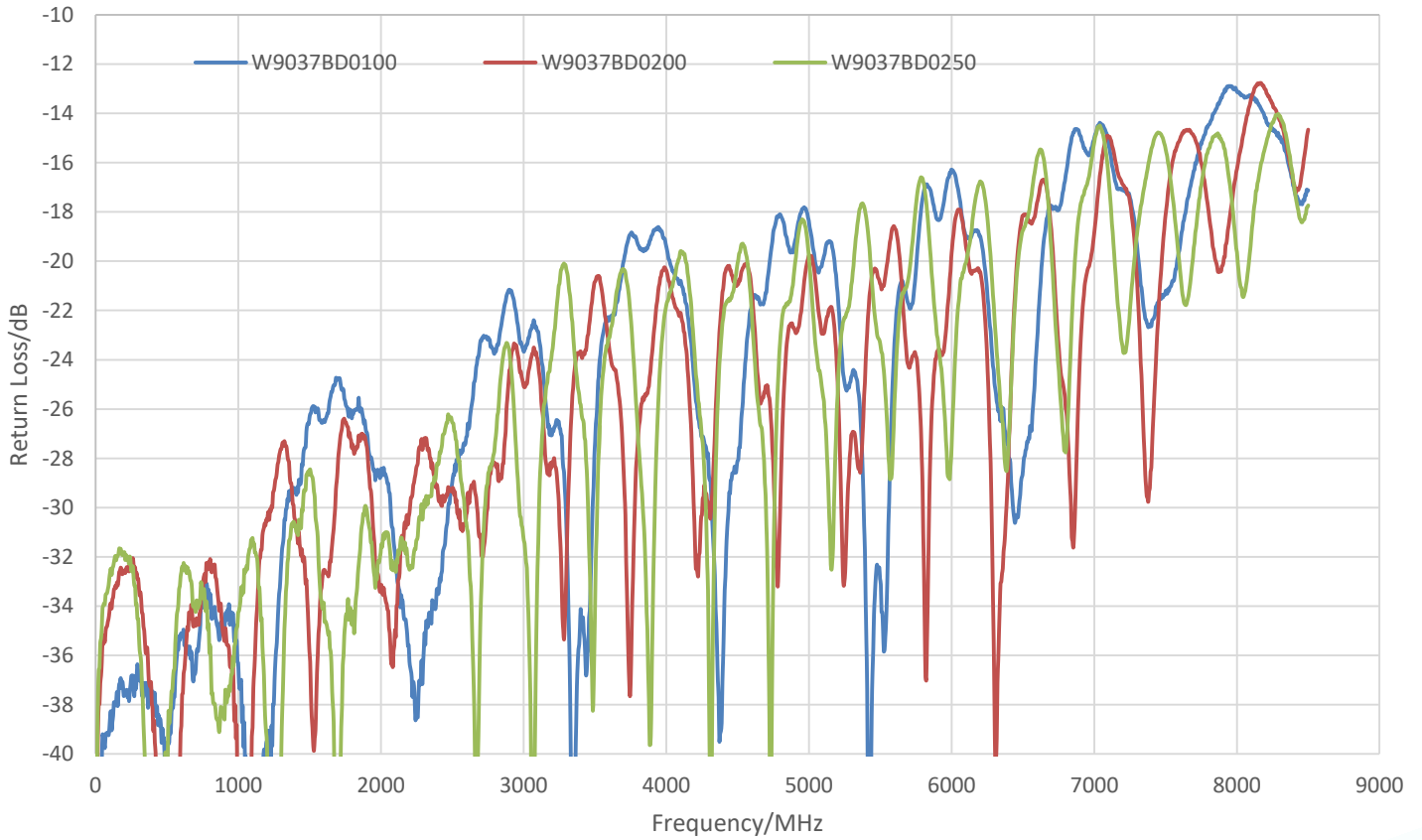
CONFIDENTIAL AND PROPRIETARY INFORMATION

This document contains confidential and proprietary information of Pulse Electronics, Inc. (Pulse) and is protected by copyright, trade secret and other state and federal laws. Its receipt or possession does not convey any rights to reproduce, disclose its contents, or to manufacture, use or sell anything it may describe. Reproduction, disclosure or use without specific written authorization of Pulse is strictly forbidden.

CHARTS

Return Loss of Port-SMA vs Frequency

W9037/Port-SMA



Issue: 1901

In the effort to improve our products, we reserve the right to make changes judged to be necessary.

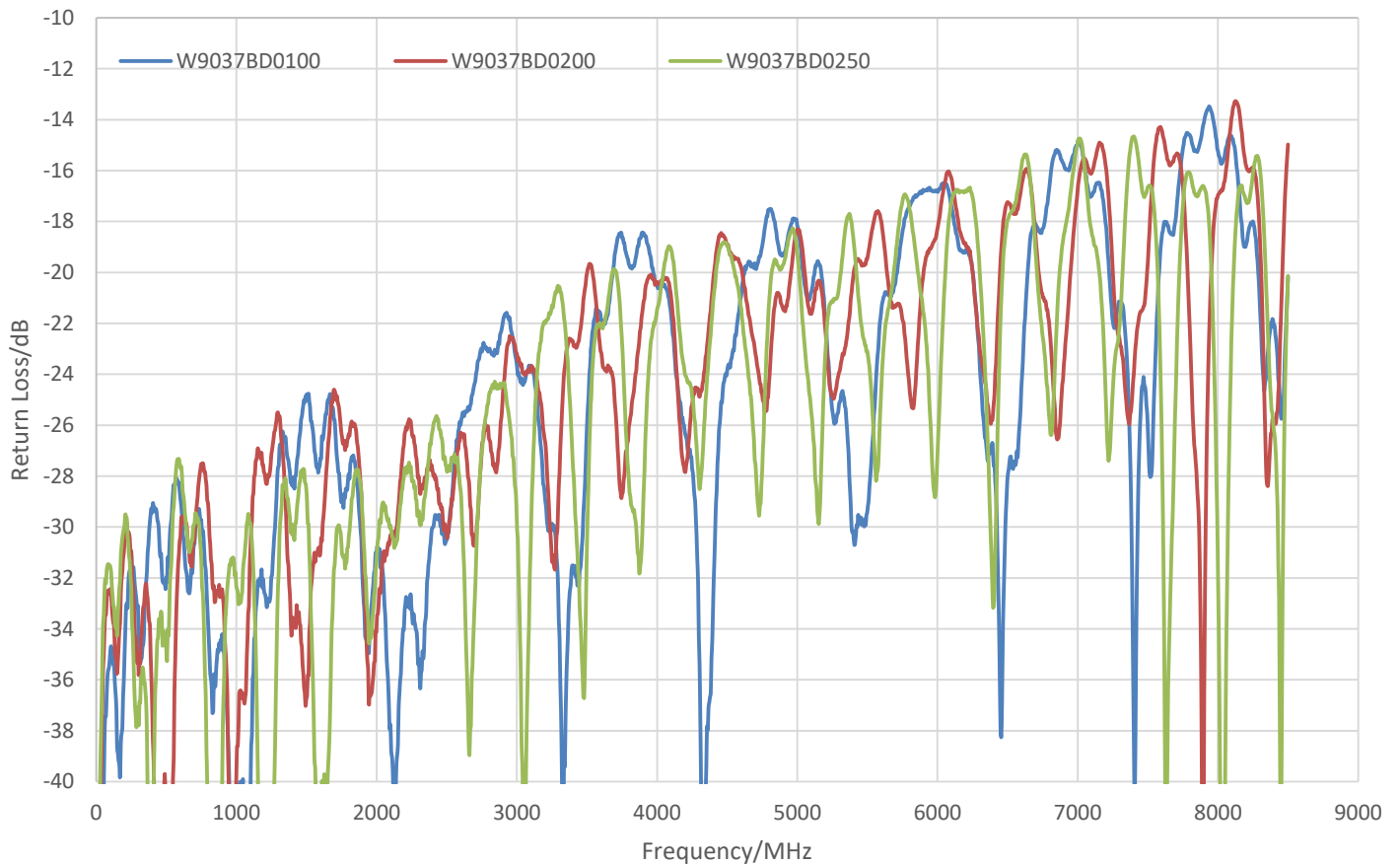
CONFIDENTIAL AND PROPRIETARY INFORMATION

This document contains confidential and proprietary information of Pulse Electronics, Inc. (Pulse) and is protected by copyright, trade secret and other state and federal laws. Its receipt or possession does not convey any rights to reproduce, disclose its contents, or to manufacture, use or sell anything it may describe. Reproduction, disclosure or use without specific written authorization of Pulse is strictly forbidden.

**CHARTS**

Return Loss of Port-MHF4 vs Frequency

W9037/Port-MHF4



Issue: 1901

In the effort to improve our products, we reserve the right to make changes judged to be necessary.

CONFIDENTIAL AND PROPRIETARY INFORMATION

This document contains confidential and proprietary information of Pulse Electronics, Inc. (Pulse) and is protected by copyright, trade secret and other state and federal laws. Its receipt or possession does not convey any rights to reproduce, disclose its contents, or to manufacture, use or sell anything it may describe. Reproduction, disclosure or use without specific written authorization of Pulse is strictly forbidden.

Description: **MHF4 – RP SMA Female  
Jumper Cable**

Series: **Cable Assembly**

**PART NUMBER: W9037BDXXXX**

## PACKAGING

Quantity: **20 PCS / Column PE bag, 2000 pcs / Box**



Issue: 1901

In the effort to improve our products, we reserve the right to make changes judged to be necessary.

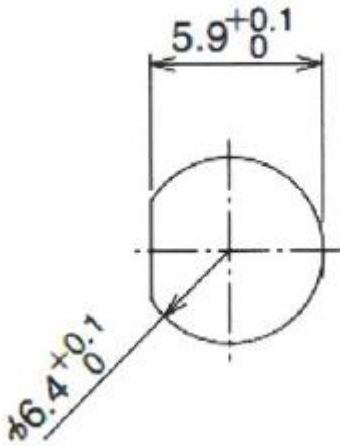
CONFIDENTIAL AND PROPRIETARY INFORMATION

This document contains confidential and proprietary information of Pulse Electronics, Inc. (Pulse) and is protected by copyright, trade secret and other state and federal laws. Its receipt or possession does not convey any rights to reproduce, disclose its contents, or to manufacture, use or sell anything it may describe. Reproduction, disclosure or use without specific written authorization of Pulse is strictly forbidden.

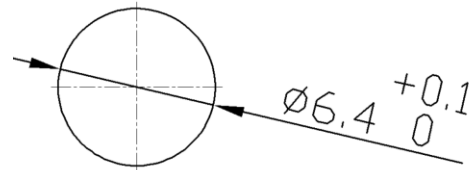
**ASSEMBLY**

The RP-SMA male connector fits through the assembly hole, the hole size is below.  
SMA connector thread length: 11mm / 0.43in

● **Panel cut-out**



**Option 1**



**Option 2**



## Данный компонент на территории Российской Федерации

### Вы можете приобрести в компании MosChip.

Для оперативного оформления запроса Вам необходимо перейти по данной ссылке:

<http://moschip.ru/get-element>

Вы можете разместить у нас заказ для любого Вашего проекта, будь то серийное производство или разработка единичного прибора.

В нашем ассортименте представлены ведущие мировые производители активных и пассивных электронных компонентов.

Нашей специализацией является поставка электронной компонентной базы двойного назначения, продукции таких производителей как XILINX, Intel (ex.ALTERA), Vicor, Microchip, Texas Instruments, Analog Devices, Mini-Circuits, Amphenol, Glenair.

Сотрудничество с глобальными дистрибьюторами электронных компонентов, предоставляет возможность заказывать и получать с международных складов практически любой перечень компонентов в оптимальные для Вас сроки.

На всех этапах разработки и производства наши партнеры могут получить квалифицированную поддержку опытных инженеров.

Система менеджмента качества компании отвечает требованиям в соответствии с ГОСТ Р ИСО 9001, ГОСТ РВ 0015-002 и ЭС РД 009

### Офис по работе с юридическими лицами:

105318, г.Москва, ул.Щербаковская д.3, офис 1107, 1118, ДЦ «Щербаковский»

Телефон: +7 495 668-12-70 (многоканальный)

Факс: +7 495 668-12-70 (доб.304)

E-mail: [info@moschip.ru](mailto:info@moschip.ru)

Skype отдела продаж:

moschip.ru

moschip.ru\_4

moschip.ru\_6

moschip.ru\_9