



A New Direction in Mixed-Signal

November 2012

XRP7613

## 1.2A 36V Step-Down High brightness LED Driver

Rev. 1.0.0

### GENERAL DESCRIPTION

The Exar XRP7613 Evaluation board (EVB) is a fully assembled and tested surface-mount PCB that demonstrates the XRP7613 LED driver. The XRP7613 is a non-synchronous step-down converter with integrated FET optimized to drive high-power LEDs at up to 1.2A of continuous current. A wide 7.0V to 36V input voltage range allows for single supply operations from industry standard 12V, 18V or 24V power rails.

Based on a hysteretic PFM control scheme, the XRP7613 can operate at switching frequency of up to 1MHz and allows for small external components selection while providing very fast transient response and achieving excellent efficiency. The output current is programmable from 150mA to 1.2A through an external sense resistor.

The XRP7613 is offered in RoHS compliant, "green"/halogen free 8-pin Exposed Pad SOIC package.

### STANDARD CONFIGURATION

The XRP2524EVB is configured to operate under the following conditions:

- Input voltage range  $V_{IN}$ : 7V – 36V
- LED current: 769mA

### EVALUATION BOARD SCHEMATICS

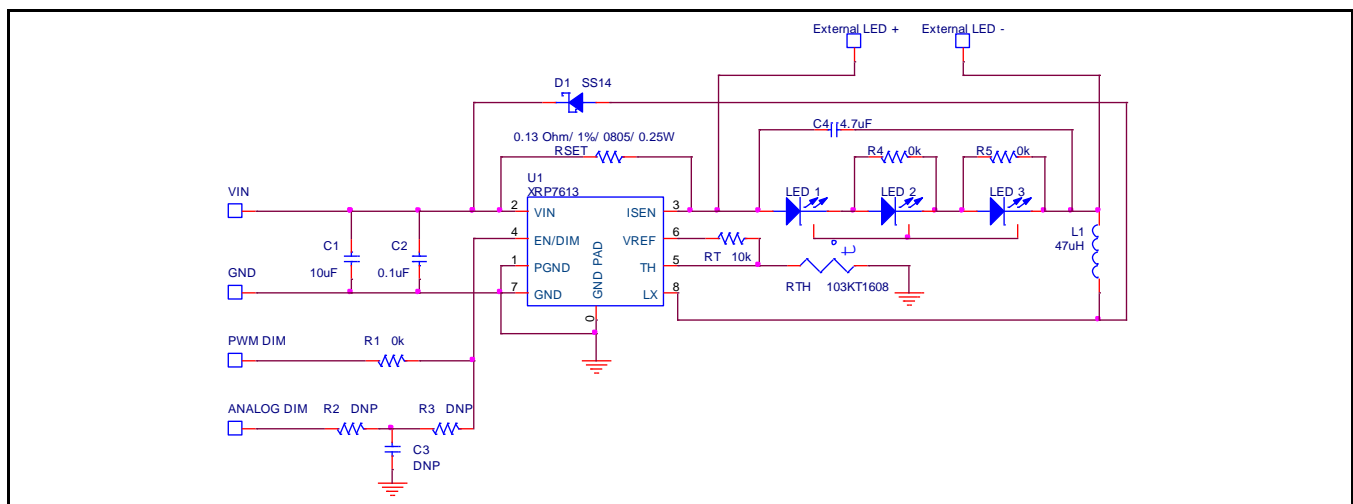


Fig. 1: XRP7613 Evaluation Board Schematics

### EVALUATION BOARD MANUAL



### FEATURES

- **1.2A Continuous Output LED Current**
  - 150mA to 1.2A Programmable Range
- **7V to 36V Single Rail Input Voltage**
- **PWM & Analog Dimming Capability**
  - Up to 40kHz Frequency
- **LED Current Thermal Fold back Control**
  - Selectable Linear Dimming of LED Current with temperature
- **Shutdown Control**
- **Built-in Soft Start**
- **Open LED, LED Short Circuit and Over Temperature Protections**

**1.2A 36V Step-Down High brightness LED Driver**

**PIN ASSIGNMENT**

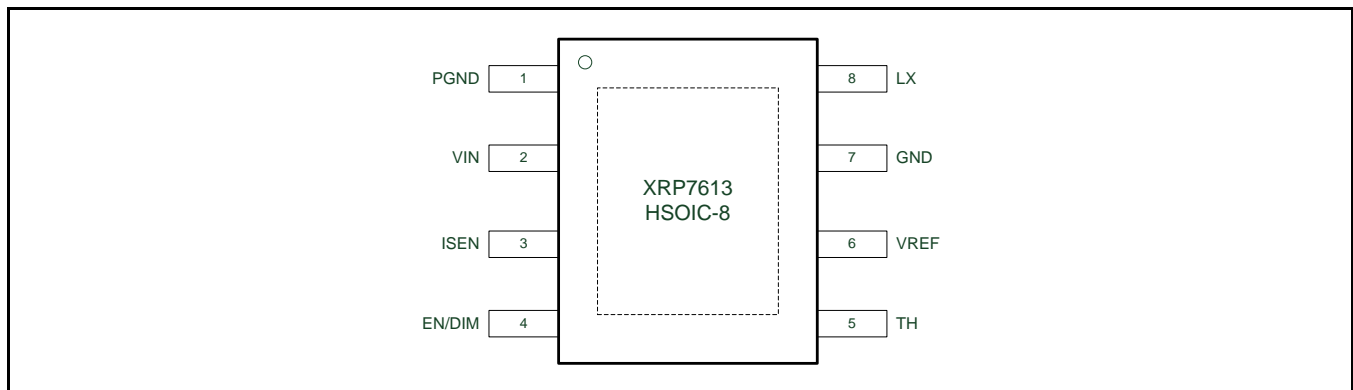


Fig. 2: XRP7613 Pin Assignment

**PIN DESCRIPTION**

Name	Pin	Description
PGND	1	Power ground pin.
VIN	2	Power supply input pin. Place an input decoupling capacitor as close as possible to this pin.
ISEN	3	LED current setting pin. Connect resistor RSET from this pin to VIN (pin 2) to define nominal average LED current.
EN/DIM	4	Dimming and Enable pin. For automatic startup, leave pin floating.
TH	5	LED temperature protection sense input. Connect temperature thermal sense resistors to turn off output current above a preset temperature threshold.
VREF	6	Reference Voltage for thermal protection.
GND	7	Ground pin.
LX	8	Connect to the output inductor.
GND	Exposed Pad	Power ground pin.

**ORDERING INFORMATION**

Refer to XRP7613's datasheet and/or [www.exar.com](http://www.exar.com) for exact and up to date ordering information.

## **1.2A 36V Step-Down High brightness LED Driver**

### **USING THE EVALUATION BOARD**

#### **POWERING UP THE BOARD**

Connect a power supply to the VIN and GND pins of the PCB. Upon powering up the XRP7613 will regulate the LED current at 769mA nominal. Nominal operating frequency is 200kHz at 12VIN. The input voltage can be varied from 7V to 36V.

#### **DRIVING EXTERNAL LEDs**

To drive an external LED or string of LEDs, remove resistor R4 or R5 from the PCB. Then connect the external LEDs to the posts marked "External LED+" and "External LED-" on the PCB.

#### **PROGRAMMING THE LED CURRENT**

The PCB is supplied with a  $0.13\Omega$  programming resistor "RSET". This sets the

current to  $I_{LED}=0.1V/0.13\Omega=0.769A$ . To program a different current use the above equation to select the appropriate resistor.

#### **PWM DIMMING**

The LED light, which is proportional to average LED current, can be dimmed using a logic-level signal applied to the "PWM DIM" pin. Maximum dimming frequency is 40kHz.

#### **ANALOG DIMMING**

A DC voltage in the range of 0.4V to 1.25 volt can be applied to EN/DIM pin in order to achieve analog dimming. Populate R2/R3 as necessary and apply the dimming signal to the "ANALOG DIM" pin. A 0.1uF bypass capacitor is recommended (populate C3).



**1.2A 36V Step-Down High brightness LED Driver**

**BILL OF MATERIAL**

Ref.	Qty	Manufacturer	Part Number	Size	Component
PCB	1	Exar	XRP7613EVB	1.5"x2.2"	XRP7613 Evaluation kit
U1	1	Exar	XRP7613	PSO-8	LED Driver
D1	1	FAIRCHILD	SS14	SMA	Schottky Rectifier
LED1	1	Philips/Lumileds	LXA7-PW57	4.5x3.05mm	Luxeon R SMT High Current LED
LED2-LED3	0	DNP	DNP	DNP	DNP
L1	1	COOPER-Bussmann	DR74-470-R	7.6x7.6mm	47uH shielded inductor
C1	1	Murata Corp.	GRM32ER61H106KA12L	1210	CER CAP 10uF, 50V, X5R
C2	1	Murata Corp.	GRM188R71H104KA93D	0603	CER CAP 0.1uF, 50V, X7R
C3	0	DNP	DNP	DNP	DNP
C4	1	Murata Corp.	GRM32ER71H475KA88L	1210	CAP CER 4.7uF, 50V, X7R
R1,R4,R5	3	Panasonic	ERJ-3GEY0R00V	0603	Resistor 0.00 Ohm, 1/10W
R2,R3	0	DNP	DNP	DNP	DNP
RT	1	Panasonic	ERJ-3EKF1002V	0603	Resistor 10K Ohm, 1/10W,1%
RSET	1	Panasonic	ERJ-S6SFR13V	0805	Resistor 0.13 Ohm,0.25W,1%
RTH	1	Semitec	103KT1608T-1P	0603	Thermistor 10K Ohm, 1%
Test Point	2	Mill-Max	0300-1-15-01-47-27-1-0		Pin RCPT
VIN, GND, PWM DIM, ANALOG DIM	4	Vector Electronic	K24C/M	.042 Dia	Test Point Post

**EVALUATION BOARD LAYOUT**

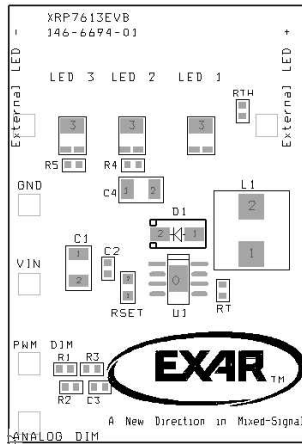


Fig. 3: Component Placement – Top Side

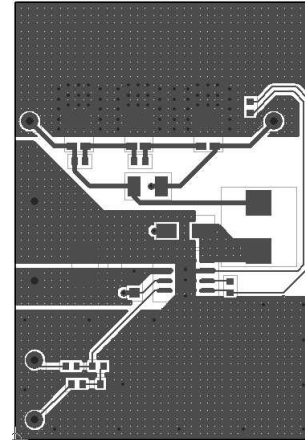


Fig. 4: Layout – Top Side

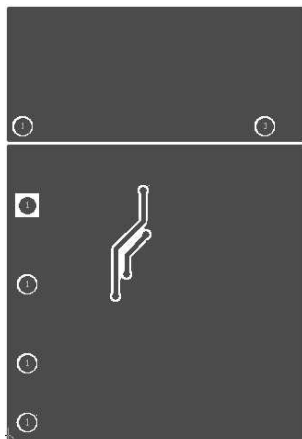


Fig. 5: Layout - Bottom

**1.2A 36V Step-Down High brightness LED Driver**

**DOCUMENT REVISION HISTORY**

Revision	Date	Description
1.0.0	11/09/2012	Initial release of document

**BOARD REVISION HISTORY**

Board Revision	Date	Description
146-6694-01	11/09/2012	Initial release of evaluation board

**FOR FURTHER ASSISTANCE**

Email: [customersupport@exar.com](mailto:customersupport@exar.com)  
 Exar Technical Documentation: <http://www.exar.com/TechDoc/default.aspx?>

**EXAR CORPORATION**

**HEADQUARTERS AND SALES OFFICES**

48720 Kato Road  
 Fremont, CA 94538 – USA  
 Tel.: +1 (510) 668-7000  
 Fax: +1 (510) 668-7030  
[www.exar.com](http://www.exar.com)



**NOTICE**

EXAR Corporation reserves the right to make changes to the products contained in this publication in order to improve design, performance or reliability. EXAR Corporation assumes no responsibility for the use of any circuits described herein, conveys no license under any patent or other right, and makes no representation that the circuits are free of patent infringement. Charts and schedules contained here in are only for illustration purposes and may vary depending upon a user's specific application. While the information in this publication has been carefully checked; no responsibility, however, is assumed for inaccuracies.

EXAR Corporation does not recommend the use of any of its products in life support applications where the failure or malfunction of the product can reasonably be expected to cause failure of the life support system or to significantly affect its safety or effectiveness. Products are not authorized for use in such applications unless EXAR Corporation receives, in writing, assurances to its satisfaction that: (a) the risk of injury or damage has been minimized; (b) the user assumes all such risks; (c) potential liability of EXAR Corporation is adequately protected under the circumstances.

Reproduction, in part or whole, without the prior written consent of EXAR Corporation is prohibited.

## Данный компонент на территории Российской Федерации

### Вы можете приобрести в компании MosChip.

Для оперативного оформления запроса Вам необходимо перейти по данной ссылке:

<http://moschip.ru/get-element>

Вы можете разместить у нас заказ для любого Вашего проекта, будь то серийное производство или разработка единичного прибора.

В нашем ассортименте представлены ведущие мировые производители активных и пассивных электронных компонентов.

Нашей специализацией является поставка электронной компонентной базы двойного назначения, продукции таких производителей как XILINX, Intel (ex.ALTERA), Vicor, Microchip, Texas Instruments, Analog Devices, Mini-Circuits, Amphenol, Glenair.

Сотрудничество с глобальными дистрибьюторами электронных компонентов, предоставляет возможность заказывать и получать с международных складов практически любой перечень компонентов в оптимальные для Вас сроки.

На всех этапах разработки и производства наши партнеры могут получить квалифицированную поддержку опытных инженеров.

Система менеджмента качества компании отвечает требованиям в соответствии с ГОСТ Р ИСО 9001, ГОСТ РВ 0015-002 и ЭС РД 009

### Офис по работе с юридическими лицами:

105318, г.Москва, ул.Щербаковская д.3, офис 1107, 1118, ДЦ «Щербаковский»

Телефон: +7 495 668-12-70 (многоканальный)

Факс: +7 495 668-12-70 (доб.304)

E-mail: [info@moschip.ru](mailto:info@moschip.ru)

Skype отдела продаж:

moschip.ru

moschip.ru\_4

moschip.ru\_6

moschip.ru\_9