

PLEASE CHECK WWW.MOLEX.COM FOR LATEST PART INFORMATION

Part Number: **0345760703**
Status: **Active**
Overview: mx123 sealed connection systems
Description: 2.54mm (.100") Pitch, MX123™ Female Receptacle Housing, Keying Option G, Wire Dress Option 0, 56 Circuits, Blue TPA

Documents:

[Drawing \(PDF\)](#) [RoHS Certificate of Compliance \(PDF\)](#)
[Product Specification PS-34566-0000 \(PDF\)](#)

General

Product Family	Crimp Housings
Series	34576
Comments	See Sales Drawing for number of Open Circuits
Overview	mx123 sealed connection systems
Product Name	MX123

Physical

Circuits (maximum)	56
Circuits Detail	56
Color - Resin	Blue
Gender	Female
Glow-Wire Compliant	No
Keying to Mating Part	Yes
Lock to Mating Part	Yes
Material - Resin	Nylon
Number of Rows	4
Packaging Type	Tray
Panel Mount	No
Pitch - Mating Interface (in)	0.100 In
Pitch - Mating Interface (mm)	2.54 mm
Pitch - Term. Interface (in)	0.100 In
Pitch - Term. Interface (mm)	2.54 mm
Polarized to Mating Part	Yes
Stackable	No
Temperature Range - Operating	-40°C to +125°C

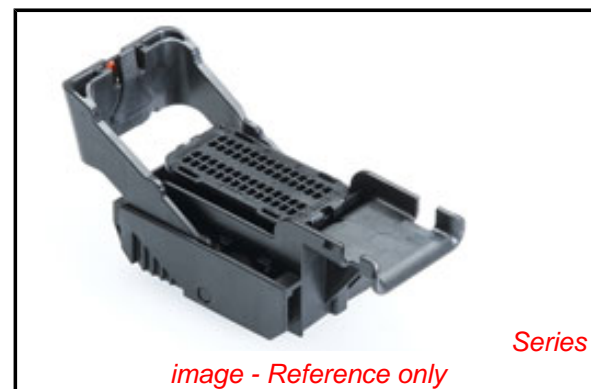
Electrical

Current - Maximum per Contact	11A, 25A
-------------------------------	----------

Material Info

Reference - Drawing Numbers

Application Specification	AS-34566-001
Packaging Specification	PK-31300-019
Product Specification	PS-34566-0000
Sales Drawing	SD-34576-001



EU RoHS

ELV and RoHS Compliant
REACH SVHC
 Not Reviewed
Halogen-Free
Status
Not Reviewed

China RoHS



Need more information on product environmental compliance?

Email productcompliance@molex.com
 For a multiple part number RoHS Certificate of Compliance, [click here](#)

Please visit the [Contact Us](#) section for any non-product compliance questions.

Search Parts in this Series

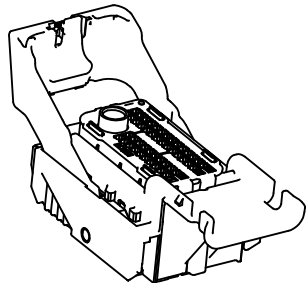
[34576Series](#)

Mates With

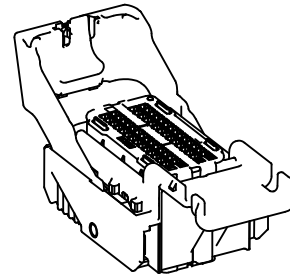
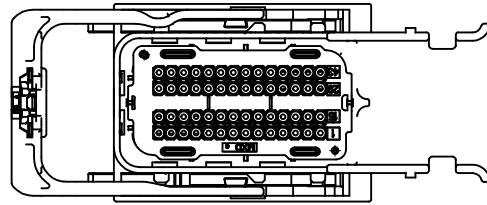
MX123™ Female Header [31386](#) , [31387](#)

Use With

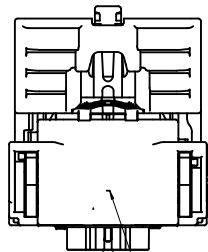
MX64 Female Terminals [33467](#)



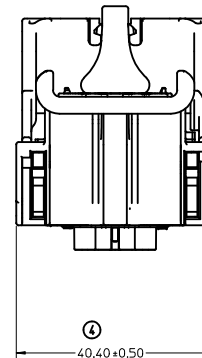
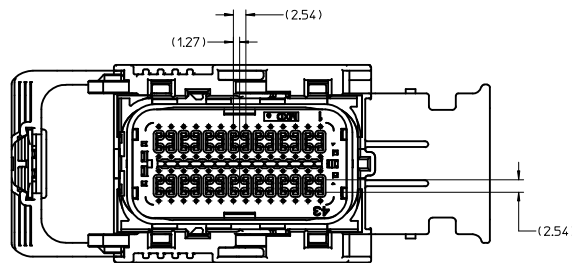
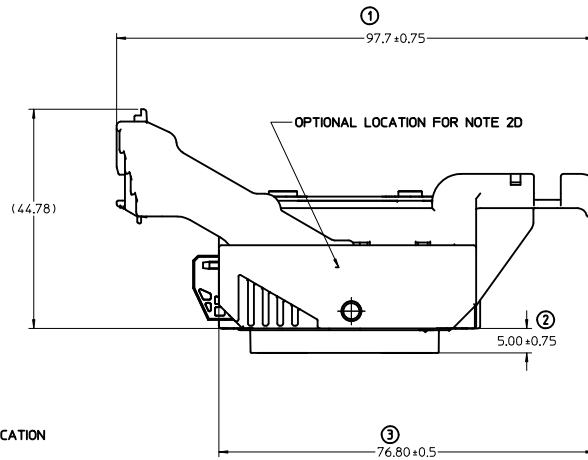
49 CKT
SCALE 1.5:1



56 CKT
SCALE 1.5:1



RECOMMENDED LOCATION FOR NOTE 2D



BALLOONS ADDED ① ② ③ ④

NOTES: UNLESS OTHERWISE SPECIFIED

1. MATERIAL:

- A. RESIN: SEE COMPONENT DRAWINGS
- B. COLOR: SEE TABLE

2. DESIGN - GENERAL:

- A. THIS IS A 100% CAD GENERATED PART. THE CAD MATHEMATICAL DATA IS THE MASTER FOR THIS PART. FOR DIMENSIONAL OR ANY INFORMATION NOT SHOWN ON THIS DRAWING, ANALYZE THE CAD MODEL.
- B. TOLERANCES:
 - a. LINEAR: XX ± 0.30, XXX ± 0.10, XXXX ± 0.10
 - b. ANGULAR: X° ± 3.0°
- C. CORNERS SHOWN AS SHARP TO BE R 0.2 MAX.
- D. FOLLOWING PRODUCTION CODES TO BE PERMANENTLY MARKED & HUMAN READABLE TO A LETTER HEIGHT < 3mm.
 - LINE #1: MATERIAL #: XXXX-XXXX
 - LINE #2: DATE CODE: JJY (JULIAN DAY, LAST DIGIT OF YEAR)
 - LINE #3: INSPECTION MACHINE CODE + SERIAL #: X-XXXXX
- E-1. PARTS MUST BE FREE OF DISCOLORATION, SALT RESIDUE AND OTHER IMPERFECTIONS THAT AFFECT FIT OR FUNCTION.
- E-2. SCRATCHES OR DENTS NOT TO EXCEED 0.13mm IN DEPTH.
- F. CHANGES IN DESIGN FROM PART PREVIOUSLY APPROVED REQUIRES PRIOR ENGINEERING APPROVAL. THIS INCLUDES BUT IS NOT LIMITED TO DRAFT, MATERIAL OR PROCESSING.
- G. SHALL CONFORM TO THE FOLLOWING PACKAGING SPECIFICATION: PK-31300-019

3. DESIGN - MANUFACTURING:

- A. DRAFT TO BE WITHIN TOLERANCE.
- B. ALLOWABLE FLASH 0.2 MAX HIGH X 0.13 MAX THICK.
- C. ALLOWABLE PARTING LINE MISMATCH 0.2 MAX.
- D. EJECTOR PINS MARK TO BE FLUSH TO 0.25 MAX DEPRESSED.
- E. ALLOWABLE GATE VESTIGE TO BE FLUSH TO 0.25 MAX PROTRUSION.

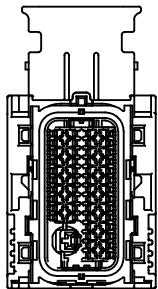
4. SYSTEM REQUIREMENTS:

- WHEN TESTED TO SAE/USCAR-2 REV: 3, APRIL 2001, AND GMW #3191, AUGUST 22, 2000 (DRAFT).
- A. TPA (WITHOUT TERMINALS)
 - a. INSERTION FORCE FROM PRE-SET TO LOCK: >20
 - b. REMOVAL FORCE FROM PRE-SET: >20
 - B. CPA
 - a. INSERTION FORCE FROM PRE-SET TO LOCK WITH CONNECTOR UN-MATED: >60N
 - b. REMOVAL FORCE FROM PRE-SET: >30N
 - C. GROMMET CAP
 - a. REMOVAL FORCE FROM HOUSING WITH ENGAGED LATCHES: >110N
 - D. MATE ASSIST LEVER
 - a. INADVERTENT ACTUATION FORCE DURING SHIPPING, HANDLING OR PRE-ASSEMBLY: >190N

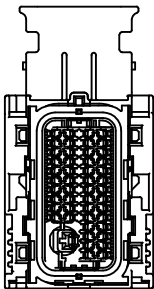
REV	DESCRIPTION
F15	NEW PIN CONFIGURATION
F14	NEW PIN CONFIGURATION
F13	NEW PIN CONFIGURATION
F12	NEW PIN CONFIGURATION
F11	NEW PIN CONFIGURATION
F10	NEW PIN CONFIGURATION
F9	NEW PIN CONFIGURATION
F8	CORRECTED MATERIAL NUMBER
F7	NEW PIN CONFIGURATION
F6	NEW PIN CONFIGURATION
F5	RELEASE INTO ONE-SPACE FROM PRO-E

ENTER DESCRIPTION DEC NO: UAU2010-1803 DRAWN BY: 2010/06/02 CHECKED BY: 2008/02/20 APPR: TSK IVER APPROV: VKOSHY 2010/06/04	QUALITY SYMBOLS ▽=0 ▽=0	GENERAL TOLERANCES (UNLESS SPECIFIED) mm INCH 4 PLACES +---+---+---+---+ 3 PLACES +---+---+---+---+ 2 PLACES +---+---+---+---+ 1 PLACE +---+---+---+---+ ANGULAR ±---°	DIMENSION STYLE MM ONLY DRAWN BY: DATE SRAJENDRANAT 2008/02/20 CHECKED BY: DATE TSK IVER 2008/02/20 APPROVED BY: DATE VKOSHY 2008/02/20	SCALE 2:1 DESIGN UNITS METRIC THIRD ANGLE PROJECTION	TITLE MX123 49/56 CKT HRNS CONN ASSY	MOLEX INCORPORATED MATERIAL NO. SD-34576-001 DOCUMENT NO.	SHEET NO. 1 OF 11

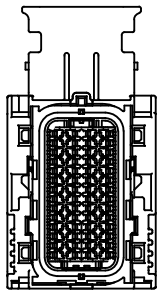
WIRE DRESS OPTION 0
HOUSING ONLY, SHOWN FOR CLARITY



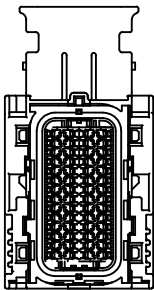
40 OKT
KEY OPTION A



40 OKT
KEY OPTION B



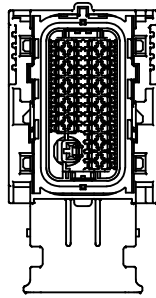
56 OKT
KEY OPTION G



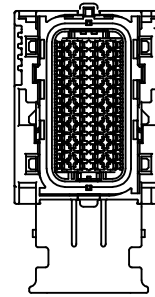
56 OKT
KEY OPTION H

ENTER DESCRIPTION EC NO: UAU2010-1803 DRAWN BY: CHYK/TSK/VER DATE: 2010/06/02 CHECKED BY: APPR:VKOSHY DATE: 2008/02/20 APPROVED BY: APPR:VKOSHY DATE: 2010/06/04	QUALITY SYMBOLS ▽=0 ▽=0	GENERAL TOLERANCES (UNLESS SPECIFIED) <table border="1"> <tr> <th></th> <th>mm</th> <th>INCH</th> </tr> <tr> <td>4 PLACES</td> <td>±---</td> <td>±---</td> </tr> <tr> <td>3 PLACES</td> <td>±---</td> <td>±---</td> </tr> <tr> <td>2 PLACES</td> <td>±---</td> <td>±---</td> </tr> <tr> <td>1 PLACE</td> <td>±---</td> <td>±---</td> </tr> <tr> <td colspan="3">ANGULAR ±----</td> </tr> </table>		mm	INCH	4 PLACES	±---	±---	3 PLACES	±---	±---	2 PLACES	±---	±---	1 PLACE	±---	±---	ANGULAR ±----			DIMENSION STYLE MM ONLY	SCALE 1.5:1	DESIGN UNITS METRIC	THIRD ANGLE PROJECTION
		mm	INCH																					
	4 PLACES	±---	±---																					
	3 PLACES	±---	±---																					
2 PLACES	±---	±---																						
1 PLACE	±---	±---																						
ANGULAR ±----																								
DRAFT WHERE APPLICABLE MUST REMAIN WITHIN DIMENSIONS	SEE BOM TABLE	DRAWN BY: SRAJENDRANAT DATE: 2008/02/20 CHECKED BY: TSK/VER DATE: 2008/02/20 APPROVED BY: VKOSHY DATE: 2008/02/20	TITLE MX123 49/56 CKT HRNS CONN ASSY	MATERIAL NO. SD-34576-001	DOCUMENT NO.	SHEET NO. 2 OF 11																		
THIS DRAWING CONTAINS INFORMATION THAT IS PROPRIETARY TO MOLEX INCORPORATED AND SHOULD NOT BE USED WITHOUT WRITTEN PERMISSION																								
SIZE D																								

WIRE DRESS OPTION 9
HOUSING ONLY, SHOWN FOR CLARITY



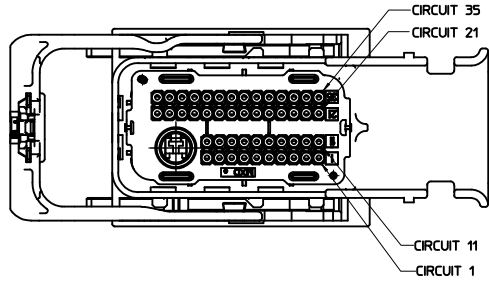
49 OKT
KEY OPTION A



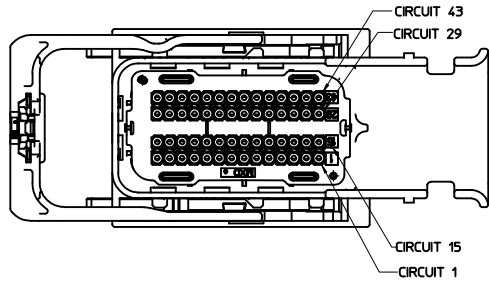
56 OKT
KEY OPTION G

ENTER DESCRIPTION EC NO: UAU2010-1803 DRAWN BY: CHKD:TSK IVER APPR:VKOSHY 2010/06/02 2008/02/20 2010/06/04	QUALITY SYMBOLS ▽=0 ▽=0	GENERAL TOLERANCES (UNLESS SPECIFIED)		DIMENSION STYLE MM ONLY	SCALE 1.5:1	DESIGN UNITS METRIC	THIRD ANGLE PROJECTION	
		4 PLACES ±---+--- 3 PLACES ±---+--- 2 PLACES ±---+--- 1 PLACE ±---+---	mm INCH	DRAWN BY DATE SRAJENDRANAT 2008/02/20	TITLE MX123 49/56 OKT HRNS CONN ASSY			
		ANGULAR ±---°		CHECKED BY DATE TSK IVER 2008/02/20	MOLEX INCORPORATED			
		DRAFT WHERE APPLICABLE MUST REMAIN WITHIN DIMENSIONS		APPROVED BY DATE VKOSHY 2008/02/20	MATERIAL NO. SEE BOM TABLE	DOCUMENT NO. SD-34576-001	SHEET NO. 3 OF 11	

WIRE DRESS OPTION 0

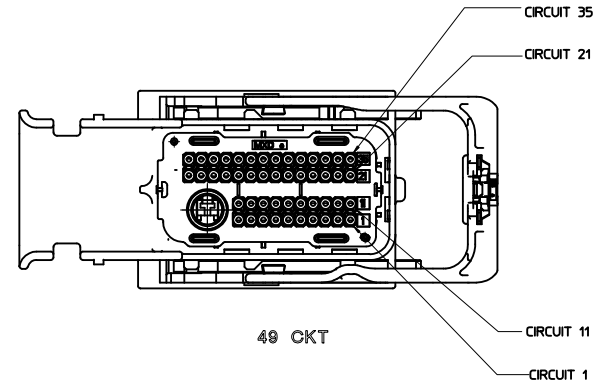


49 CKT

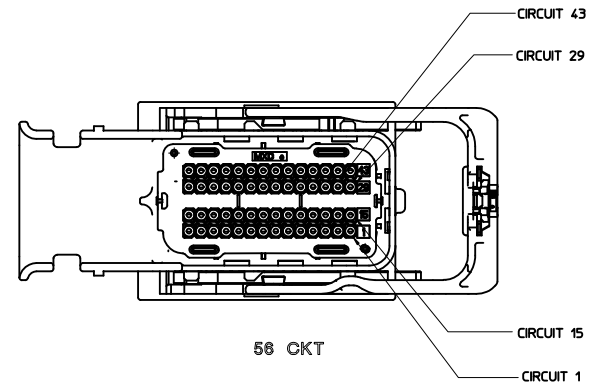


58 CKT

WIRE DRESS OPTION 9



49 CKT



58 CKT

ENTER DESCRIPTION EC NO: UAU2010-1803 DRAWN BY: 2010/06/02 CHKD: TSK IVER APPR: VKOSHY 2010/06/04	QUALITY SYMBOLS ▽=0 ▽=0	GENERAL TOLERANCES (UNLESS SPECIFIED) <table border="1"> <thead> <tr> <th></th> <th>mm</th> <th>INCH</th> </tr> </thead> <tbody> <tr> <td>4 PLACES</td> <td>±----</td> <td>±----</td> </tr> <tr> <td>3 PLACES</td> <td>±----</td> <td>±----</td> </tr> <tr> <td>2 PLACES</td> <td>±----</td> <td>±----</td> </tr> <tr> <td>1 PLACE</td> <td>±----</td> <td>±----</td> </tr> </tbody> </table> ANGULAR ±---°		mm	INCH	4 PLACES	±----	±----	3 PLACES	±----	±----	2 PLACES	±----	±----	1 PLACE	±----	±----	DIMENSION STYLE MM ONLY	SCALE 2:1	DESIGN UNITS METRIC	THIRD ANGLE PROJECTION
		mm	INCH																		
	4 PLACES	±----	±----																		
	3 PLACES	±----	±----																		
2 PLACES	±----	±----																			
1 PLACE	±----	±----																			
DRAWN BY: SRAJENDRANAT DATE: 2008/02/20 CHECKED BY: TSK IVER DATE: 2008/02/20 APPROVED BY: VKOSHY DATE: 2008/02/20	MATERIAL NO. SD-34576-001	DOCUMENT NO.	TITLE MX123 49/56 CKT HRNS CONN ASSY	SHEET NO. 4 OF 11																	
DRAFT WHERE APPLICABLE MUST REMAIN WITHIN DIMENSIONS		SEE BOM TABLE		MOLEX INCORPORATED																	
THIS DRAWING CONTAINS INFORMATION THAT IS PROPRIETARY TO MOLEX INCORPORATED AND SHOULD NOT BE USED WITHOUT WRITTEN PERMISSION																					

20 19 18 17 16 15 14 13 12 11 10 9 8 7 6 5 4 3 2 1

STATUS	GM PART #	MATERIAL #	PART/MATERIAL REVISION	WIRE DRESS OPTION	KEY OPTION	COLOR (TPA)	NUMBERS INDICATE CAVITIES OPEN FOR CIRCUITS																																												
AVAILABLE	NOT APPLICABLE	34576-2803	F	0	G	BLUE	<table border="1"> <tr><td>55</td><td>54</td><td>53</td><td>51</td><td>49</td><td>48</td><td>47</td><td>44</td></tr> <tr><td>40</td><td></td><td></td><td>37</td><td>36</td><td>35</td><td>34</td><td>33</td></tr> <tr><td>26</td><td></td><td></td><td></td><td></td><td></td><td>20</td><td>19</td></tr> <tr><td>13</td><td>12</td><td></td><td>9</td><td>7</td><td></td><td></td><td></td></tr> </table>	55	54	53	51	49	48	47	44	40			37	36	35	34	33	26						20	19	13	12		9	7															
55	54	53	51	49	48	47	44																																												
40			37	36	35	34	33																																												
26						20	19																																												
13	12		9	7																																															
AVAILABLE	NOT APPLICABLE	34576-2903	F	0	G	BLUE	<table border="1"> <tr><td>56</td><td>55</td><td>53</td><td></td><td>49</td><td>48</td><td>47</td><td>46</td><td>45</td><td>44</td></tr> <tr><td></td><td>40</td><td>39</td><td>37</td><td>36</td><td>35</td><td>34</td><td>33</td><td></td><td>30</td></tr> <tr><td></td><td></td><td>25</td><td></td><td></td><td></td><td>20</td><td>19</td><td>18</td><td></td></tr> <tr><td>13</td><td>12</td><td></td><td>9</td><td>7</td><td></td><td></td><td></td><td></td><td></td></tr> </table>	56	55	53		49	48	47	46	45	44		40	39	37	36	35	34	33		30			25				20	19	18		13	12		9	7									
56	55	53		49	48	47	46	45	44																																										
	40	39	37	36	35	34	33		30																																										
		25				20	19	18																																											
13	12		9	7																																															
AVAILABLE	NOT APPLICABLE	34576-3003	F	0	G	BLUE	<table border="1"> <tr><td>56</td><td>55</td><td>54</td><td>53</td><td></td><td>49</td><td>48</td><td>47</td><td>44</td><td></td></tr> <tr><td></td><td>40</td><td></td><td></td><td>37</td><td>36</td><td>35</td><td>34</td><td>33</td><td>29</td></tr> <tr><td></td><td></td><td></td><td></td><td></td><td></td><td></td><td>20</td><td>19</td><td>18</td></tr> <tr><td>13</td><td>12</td><td></td><td>9</td><td>7</td><td>6</td><td></td><td></td><td></td><td>2</td></tr> </table>	56	55	54	53		49	48	47	44			40			37	36	35	34	33	29								20	19	18	13	12		9	7	6				2				
56	55	54	53		49	48	47	44																																											
	40			37	36	35	34	33	29																																										
							20	19	18																																										
13	12		9	7	6				2																																										
AVAILABLE	NOT APPLICABLE	34576-3103	F	0	G	BLUE	<table border="1"> <tr><td>56</td><td>55</td><td>54</td><td>53</td><td></td><td>49</td><td>48</td><td>47</td><td>46</td><td>45</td><td>44</td></tr> <tr><td></td><td>40</td><td>39</td><td>37</td><td>36</td><td>35</td><td>34</td><td>33</td><td></td><td></td><td></td></tr> <tr><td></td><td></td><td></td><td></td><td></td><td></td><td></td><td>20</td><td>19</td><td>18</td><td></td></tr> <tr><td>13</td><td>12</td><td></td><td>9</td><td>7</td><td></td><td></td><td></td><td></td><td></td><td></td></tr> </table>	56	55	54	53		49	48	47	46	45	44		40	39	37	36	35	34	33											20	19	18		13	12		9	7						
56	55	54	53		49	48	47	46	45	44																																									
	40	39	37	36	35	34	33																																												
							20	19	18																																										
13	12		9	7																																															
AVAILABLE	NOT APPLICABLE	34576-3203	F	0	G	BLUE	<table border="1"> <tr><td>55</td><td>54</td><td>53</td><td></td><td>49</td><td>48</td><td>47</td><td>46</td><td>44</td><td></td></tr> <tr><td></td><td>40</td><td></td><td></td><td>37</td><td>36</td><td>35</td><td>34</td><td>33</td><td>32</td><td>31</td></tr> <tr><td></td><td>26</td><td></td><td></td><td></td><td></td><td></td><td>20</td><td>19</td><td>18</td><td></td></tr> <tr><td>13</td><td>12</td><td></td><td>9</td><td>7</td><td></td><td></td><td></td><td></td><td></td><td></td></tr> </table>	55	54	53		49	48	47	46	44			40			37	36	35	34	33	32	31		26						20	19	18		13	12		9	7							
55	54	53		49	48	47	46	44																																											
	40			37	36	35	34	33	32	31																																									
	26						20	19	18																																										
13	12		9	7																																															
AVAILABLE	NOT APPLICABLE	34576-3303	F	0	G	BLUE	<table border="1"> <tr><td>56</td><td>55</td><td>54</td><td></td><td></td><td>49</td><td>48</td><td>47</td><td></td><td>44</td></tr> <tr><td></td><td>40</td><td></td><td></td><td>37</td><td>36</td><td>35</td><td>34</td><td>33</td><td></td></tr> <tr><td></td><td></td><td></td><td></td><td></td><td></td><td></td><td>20</td><td>19</td><td>18</td></tr> <tr><td>13</td><td>12</td><td></td><td>9</td><td>7</td><td>6</td><td></td><td></td><td></td><td></td></tr> </table>	56	55	54			49	48	47		44		40			37	36	35	34	33									20	19	18	13	12		9	7	6								
56	55	54			49	48	47		44																																										
	40			37	36	35	34	33																																											
							20	19	18																																										
13	12		9	7	6																																														
AVAILABLE	NOT APPLICABLE	34576-3403	F	0	G	BLUE	<table border="1"> <tr><td>55</td><td>54</td><td>53</td><td></td><td>49</td><td>48</td><td>47</td><td>44</td><td></td></tr> <tr><td></td><td>40</td><td>39</td><td>37</td><td>36</td><td>35</td><td>34</td><td>33</td><td></td></tr> <tr><td></td><td>26</td><td></td><td></td><td></td><td></td><td></td><td>20</td><td>19</td><td>18</td></tr> <tr><td>13</td><td>12</td><td></td><td>9</td><td>7</td><td></td><td></td><td></td><td></td><td></td></tr> </table>	55	54	53		49	48	47	44			40	39	37	36	35	34	33			26						20	19	18	13	12		9	7											
55	54	53		49	48	47	44																																												
	40	39	37	36	35	34	33																																												
	26						20	19	18																																										
13	12		9	7																																															
AVAILABLE	NOT APPLICABLE	34576-3503	F	0	G	BLUE	<table border="1"> <tr><td>56</td><td>55</td><td>53</td><td></td><td>49</td><td>48</td><td>47</td><td>44</td><td></td></tr> <tr><td></td><td>40</td><td></td><td></td><td>37</td><td>36</td><td>35</td><td>34</td><td>33</td><td></td></tr> <tr><td></td><td></td><td></td><td></td><td></td><td></td><td></td><td>20</td><td>19</td><td>18</td></tr> <tr><td>13</td><td>12</td><td></td><td>9</td><td>7</td><td>6</td><td></td><td></td><td></td><td>2</td></tr> </table>	56	55	53		49	48	47	44			40			37	36	35	34	33									20	19	18	13	12		9	7	6				2					
56	55	53		49	48	47	44																																												
	40			37	36	35	34	33																																											
							20	19	18																																										
13	12		9	7	6				2																																										

SEE NEXT PAGE FOR ADDITIONAL NUMBERS

ENTER DESCRIPTION EC NO: UAU2010-1803 DRAWN BY: DRWNAH001 CHKD: TSK IVER APPR: VKOSHY DATE: 2010/06/02 DATE: 2008/02/20 DATE: 2010/06/04	QUALITY SYMBOLS	GENERAL TOLERANCES (UNLESS SPECIFIED)	DIMENSION STYLE	SCALE	DESIGN UNITS	THIRD ANGLE PROJECTION	
	$\nabla=0$ $\nabla=0$	mm INCH 4 PLACES ±---+--- 3 PLACES ±---+--- 2 PLACES ±---+--- 1 PLACE ±---+---	MM ONLY	DRAWN BY: SRAJENDRANAT CHECKED BY: TSK IVER APPROVED BY: VKOSHY DATE: 2008/02/20 DATE: 2008/02/20	METRIC	METRIC	
	ANGULAR ±---°	DRAFT WHERE APPLICABLE MUST REMAIN WITHIN DIMENSIONS	SEE BOM TABLE	MATERIAL NO. SD-34576-001 DOCUMENT NO.	MX123 49/56 CKT HRNS CONN ASSY	MOLEX INCORPORATED	SHEET NO. 6 OF 11
	THIS DRAWING CONTAINS INFORMATION THAT IS PROPRIETARY TO MOLEX INCORPORATED AND SHOULD NOT BE USED WITHOUT WRITTEN PERMISSION						

19 18 17 16 15 14 13 12 11 10 9 8 7 6 5 4 3 2 1

20 19 18 17 16 15 14 13 12 11 10 9 8 7 6 5 4 3 2 1

STATUS	GM PART #	MATERIAL #	PART/MATERIAL REVISION	WIRE DRESS OPTION	KEY OPTION	COLOR (TPA)	NUMBERS INDICATE CAVITIES OPEN FOR CIRCUITS																																																												
AVAILABLE	NOT APPLICABLE	34576-3603	F	0	G	BLUE	<table border="1"> <tr><td>55</td><td>54</td><td>53</td><td></td><td></td><td>49</td><td>48</td><td>47</td><td></td><td>44</td></tr> <tr><td>40</td><td></td><td></td><td>37</td><td>36</td><td>35</td><td>34</td><td>33</td><td></td><td></td></tr> <tr><td>26</td><td></td><td></td><td></td><td></td><td></td><td>20</td><td>19</td><td>18</td><td></td></tr> <tr><td>13</td><td>12</td><td></td><td>9</td><td>7</td><td></td><td></td><td></td><td></td><td></td></tr> </table>	55	54	53			49	48	47		44	40			37	36	35	34	33			26						20	19	18		13	12		9	7																									
55	54	53			49	48	47		44																																																										
40			37	36	35	34	33																																																												
26						20	19	18																																																											
13	12		9	7																																																															
AVAILABLE	NOT APPLICABLE	34576-3703	F	0	G	BLUE	<table border="1"> <tr><td>56</td><td>55</td><td>54</td><td>53</td><td>51</td><td>49</td><td>48</td><td>47</td><td></td><td>44</td></tr> <tr><td></td><td>40</td><td></td><td></td><td>37</td><td>36</td><td>35</td><td>34</td><td>33</td><td>29</td></tr> <tr><td></td><td></td><td></td><td></td><td></td><td></td><td></td><td>20</td><td>19</td><td>18</td></tr> <tr><td>13</td><td>12</td><td></td><td>9</td><td>7</td><td>6</td><td></td><td></td><td></td><td>16</td></tr> <tr><td></td><td></td><td></td><td></td><td></td><td></td><td></td><td></td><td></td><td>15</td></tr> <tr><td></td><td></td><td></td><td></td><td></td><td></td><td></td><td></td><td></td><td>2</td></tr> </table>	56	55	54	53	51	49	48	47		44		40			37	36	35	34	33	29								20	19	18	13	12		9	7	6				16										15										2
56	55	54	53	51	49	48	47		44																																																										
	40			37	36	35	34	33	29																																																										
							20	19	18																																																										
13	12		9	7	6				16																																																										
									15																																																										
									2																																																										
AVAILABLE	NOT APPLICABLE	34576-3803	F	0	G	BLUE	<table border="1"> <tr><td>56</td><td>54</td><td>53</td><td></td><td></td><td>49</td><td>47</td><td>46</td><td>44</td><td></td></tr> <tr><td></td><td>40</td><td>39</td><td>37</td><td>36</td><td>35</td><td>33</td><td>32</td><td>31</td><td>29</td></tr> <tr><td></td><td></td><td>25</td><td></td><td></td><td></td><td>20</td><td>19</td><td>18</td><td>15</td></tr> <tr><td>13</td><td>12</td><td></td><td>9</td><td>7</td><td></td><td></td><td></td><td></td><td>2</td></tr> </table>	56	54	53			49	47	46	44			40	39	37	36	35	33	32	31	29			25				20	19	18	15	13	12		9	7					2																				
56	54	53			49	47	46	44																																																											
	40	39	37	36	35	33	32	31	29																																																										
		25				20	19	18	15																																																										
13	12		9	7					2																																																										
AVAILABLE	NOT APPLICABLE	34576-3903	F	0	G	BLUE	<table border="1"> <tr><td>56</td><td>54</td><td>53</td><td></td><td></td><td>49</td><td>47</td><td></td><td>44</td><td></td></tr> <tr><td></td><td>40</td><td>39</td><td>37</td><td>36</td><td>35</td><td>33</td><td></td><td></td><td>29</td></tr> <tr><td></td><td></td><td>25</td><td></td><td></td><td></td><td>20</td><td>19</td><td>18</td><td>15</td></tr> <tr><td>13</td><td>12</td><td></td><td>9</td><td>7</td><td></td><td></td><td></td><td></td><td></td></tr> </table>	56	54	53			49	47		44			40	39	37	36	35	33			29			25				20	19	18	15	13	12		9	7																									
56	54	53			49	47		44																																																											
	40	39	37	36	35	33			29																																																										
		25				20	19	18	15																																																										
13	12		9	7																																																															
AVAILABLE	NOT APPLICABLE	34576-4003	F	0	G	BLUE	<table border="1"> <tr><td>56</td><td>55</td><td>54</td><td>53</td><td></td><td>49</td><td>48</td><td>47</td><td>45</td><td>44</td></tr> <tr><td></td><td>40</td><td>39</td><td>37</td><td>36</td><td>35</td><td>34</td><td>33</td><td></td><td>29</td></tr> <tr><td></td><td></td><td>25</td><td></td><td></td><td></td><td>20</td><td>19</td><td>18</td><td>16</td></tr> <tr><td>13</td><td>12</td><td></td><td>9</td><td>7</td><td>6</td><td></td><td></td><td></td><td>15</td></tr> <tr><td></td><td></td><td></td><td></td><td></td><td></td><td></td><td></td><td></td><td>1</td></tr> </table>	56	55	54	53		49	48	47	45	44		40	39	37	36	35	34	33		29			25				20	19	18	16	13	12		9	7	6				15										1										
56	55	54	53		49	48	47	45	44																																																										
	40	39	37	36	35	34	33		29																																																										
		25				20	19	18	16																																																										
13	12		9	7	6				15																																																										
									1																																																										
AVAILABLE	NOT APPLICABLE	34576-4103	F	0	G	BLUE	<table border="1"> <tr><td>56</td><td>55</td><td>54</td><td>53</td><td></td><td>49</td><td>48</td><td>47</td><td>46</td><td>44</td></tr> <tr><td></td><td>40</td><td>39</td><td>38</td><td>37</td><td>36</td><td>35</td><td>34</td><td>33</td><td>31</td></tr> <tr><td></td><td></td><td>25</td><td></td><td></td><td></td><td>20</td><td>19</td><td>18</td><td>16</td></tr> <tr><td>13</td><td>12</td><td></td><td>9</td><td>7</td><td></td><td></td><td></td><td></td><td></td></tr> </table>	56	55	54	53		49	48	47	46	44		40	39	38	37	36	35	34	33	31			25				20	19	18	16	13	12		9	7																									
56	55	54	53		49	48	47	46	44																																																										
	40	39	38	37	36	35	34	33	31																																																										
		25				20	19	18	16																																																										
13	12		9	7																																																															
AVAILABLE	NOT APPLICABLE	34576-4203	F	0	G	BLUE	<table border="1"> <tr><td>56</td><td>55</td><td>54</td><td>53</td><td></td><td>49</td><td>48</td><td>47</td><td>45</td><td>44</td></tr> <tr><td></td><td>40</td><td>39</td><td>37</td><td>36</td><td>35</td><td>34</td><td>33</td><td></td><td></td></tr> <tr><td></td><td></td><td></td><td></td><td></td><td></td><td>20</td><td>19</td><td>18</td><td></td></tr> <tr><td>13</td><td>12</td><td></td><td>9</td><td>7</td><td></td><td></td><td></td><td></td><td></td></tr> </table>	56	55	54	53		49	48	47	45	44		40	39	37	36	35	34	33									20	19	18		13	12		9	7																									
56	55	54	53		49	48	47	45	44																																																										
	40	39	37	36	35	34	33																																																												
						20	19	18																																																											
13	12		9	7																																																															
AVAILABLE	NOT APPLICABLE	34576-4303	F	0	G	BLUE	<table border="1"> <tr><td>56</td><td>55</td><td>54</td><td>53</td><td>51</td><td>49</td><td>48</td><td>47</td><td>45</td><td>44</td></tr> <tr><td>41</td><td>40</td><td>38</td><td>37</td><td>36</td><td>35</td><td>34</td><td>33</td><td></td><td>30</td></tr> <tr><td></td><td>26</td><td>25</td><td>24</td><td>22</td><td>21</td><td>20</td><td>19</td><td>17</td><td></td></tr> <tr><td>13</td><td>12</td><td></td><td>9</td><td>7</td><td></td><td></td><td></td><td>4</td><td>3</td></tr> <tr><td></td><td></td><td></td><td></td><td></td><td></td><td></td><td></td><td></td><td>1</td></tr> </table>	56	55	54	53	51	49	48	47	45	44	41	40	38	37	36	35	34	33		30		26	25	24	22	21	20	19	17		13	12		9	7				4	3										1										
56	55	54	53	51	49	48	47	45	44																																																										
41	40	38	37	36	35	34	33		30																																																										
	26	25	24	22	21	20	19	17																																																											
13	12		9	7				4	3																																																										
									1																																																										

SEE NEXT PAGE FOR ADDITIONAL NUMBERS

ENTER DESCRIPTION EC NO: UAU2010-1803 DRAWN BY: DRWNAH01 CHKD: TSK IVER APPR: VKOSHY 2010/06/02 2008/02/20 2010/06/04	QUALITY SYMBOLS	GENERAL TOLERANCES (UNLESS SPECIFIED)	DIMENSION STYLE	SCALE	DESIGN UNITS	THIRD ANGLE PROJECTION															
	$\nabla=0$ $\nabla=0$	<table border="1"> <tr><th></th><th>mm</th><th>INCH</th></tr> <tr><td>4 PLACES</td><td>±----</td><td>±----</td></tr> <tr><td>3 PLACES</td><td>±---</td><td>±---</td></tr> <tr><td>2 PLACES</td><td>±--</td><td>±--</td></tr> <tr><td>1 PLACE</td><td>±-</td><td>±-</td></tr> </table>		mm	INCH	4 PLACES	±----	±----	3 PLACES	±---	±---	2 PLACES	±--	±--	1 PLACE	±-	±-	MM ONLY	DATE	METRIC	<input checked="" type="checkbox"/> THIRD ANGLE PROJECTION
		mm	INCH																		
	4 PLACES	±----	±----																		
3 PLACES	±---	±---																			
2 PLACES	±--	±--																			
1 PLACE	±-	±-																			
	<table border="1"> <tr><td>4 PLACES</td><td>±----</td><td>±----</td></tr> <tr><td>3 PLACES</td><td>±---</td><td>±---</td></tr> <tr><td>2 PLACES</td><td>±--</td><td>±--</td></tr> <tr><td>1 PLACE</td><td>±-</td><td>±-</td></tr> </table>	4 PLACES	±----	±----	3 PLACES	±---	±---	2 PLACES	±--	±--	1 PLACE	±-	±-	DRAWN BY: SRAJENDRANAT CHECKED BY: TSK IVER APPROVED BY: VKOSHY DATE: 2008/02/20	DATE: 2008/02/20	TITLE: MX123 49/56 CKT HRNS CONN ASSY	<input type="checkbox"/> FIRST ANGLE PROJECTION				
4 PLACES	±----	±----																			
3 PLACES	±---	±---																			
2 PLACES	±--	±--																			
1 PLACE	±-	±-																			
	ANGULAR ±---°	DRAFT WHERE APPLICABLE MUST REMAIN WITHIN DIMENSIONS	SEE BOM TABLE	MOLEX INCORPORATED	SD-34576-001	SHEET NO. 7 OF 11															

19 18 17 16 15 14 13 12 11 10 9 8 7 6 5 4 3 2 1

20 19 18 17 16 15 14 13 12 11 10 9 8 7 6 5 4 3 2 1

STATUS	GM PART #	MATERIAL #	PART/MATERIAL REVISION	WIRE DRESS OPTION	KEY OPTION	COLOR (TPA)	NUMBERS INDICATE CAVITIES OPEN FOR CIRCUITS																																																
AVAILABLE	NOT APPLICABLE	34576-4403	F	0	G	BLUE	<table border="1"> <tr><td>56</td><td>55</td><td>54</td><td>53</td><td></td><td></td><td>49</td><td>48</td><td>47</td><td>46</td><td>44</td><td></td></tr> <tr><td></td><td></td><td>40</td><td>39</td><td>37</td><td>36</td><td>35</td><td>34</td><td>33</td><td>32</td><td>31</td><td>29</td></tr> <tr><td></td><td></td><td></td><td>25</td><td></td><td></td><td></td><td></td><td></td><td>20</td><td>19</td><td>18</td></tr> <tr><td></td><td></td><td></td><td>12</td><td></td><td></td><td>9</td><td>7</td><td></td><td></td><td></td><td>16</td></tr> </table>	56	55	54	53			49	48	47	46	44				40	39	37	36	35	34	33	32	31	29				25						20	19	18				12			9	7				16
56	55	54	53			49	48	47	46	44																																													
		40	39	37	36	35	34	33	32	31	29																																												
			25						20	19	18																																												
			12			9	7				16																																												
AVAILABLE	NOT APPLICABLE	34576-4503	F	0	G	BLUE	<table border="1"> <tr><td>56</td><td>55</td><td>54</td><td>53</td><td></td><td></td><td>49</td><td>48</td><td>47</td><td>46</td><td>44</td><td></td></tr> <tr><td></td><td></td><td>40</td><td>39</td><td>37</td><td>36</td><td>35</td><td>34</td><td>33</td><td>32</td><td>31</td><td>30</td></tr> <tr><td></td><td></td><td></td><td>25</td><td>24</td><td></td><td></td><td>22</td><td>21</td><td>20</td><td>19</td><td>18</td></tr> <tr><td></td><td></td><td></td><td>13</td><td>12</td><td></td><td>9</td><td>7</td><td></td><td>4</td><td></td><td>2</td></tr> </table>	56	55	54	53			49	48	47	46	44				40	39	37	36	35	34	33	32	31	30				25	24			22	21	20	19	18				13	12		9	7		4		2
56	55	54	53			49	48	47	46	44																																													
		40	39	37	36	35	34	33	32	31	30																																												
			25	24			22	21	20	19	18																																												
			13	12		9	7		4		2																																												
AVAILABLE	NOT APPLICABLE	34576-4603	F	0	G	BLUE	<table border="1"> <tr><td>56</td><td>55</td><td>54</td><td>53</td><td></td><td></td><td>49</td><td>48</td><td>47</td><td>46</td><td>44</td><td></td></tr> <tr><td></td><td></td><td>40</td><td>39</td><td>37</td><td>36</td><td>35</td><td>34</td><td>33</td><td>32</td><td>31</td><td>29</td></tr> <tr><td></td><td></td><td></td><td>25</td><td></td><td></td><td></td><td></td><td>20</td><td>19</td><td>18</td><td>16</td></tr> <tr><td></td><td></td><td></td><td>13</td><td>12</td><td></td><td>9</td><td>7</td><td></td><td></td><td></td><td>16</td></tr> </table>	56	55	54	53			49	48	47	46	44				40	39	37	36	35	34	33	32	31	29				25					20	19	18	16				13	12		9	7				16
56	55	54	53			49	48	47	46	44																																													
		40	39	37	36	35	34	33	32	31	29																																												
			25					20	19	18	16																																												
			13	12		9	7				16																																												
AVAILABLE	NOT APPLICABLE	34576-4703	F	0	G	BLUE	<table border="1"> <tr><td>56</td><td>55</td><td>54</td><td>53</td><td>51</td><td></td><td>49</td><td>48</td><td>47</td><td></td><td>44</td><td></td></tr> <tr><td></td><td></td><td>40</td><td>39</td><td>37</td><td>36</td><td>35</td><td>34</td><td>33</td><td></td><td>30</td><td></td></tr> <tr><td></td><td></td><td></td><td>25</td><td></td><td></td><td>22</td><td>21</td><td>20</td><td>19</td><td>18</td><td>16</td></tr> <tr><td></td><td></td><td></td><td>13</td><td>12</td><td></td><td>9</td><td>7</td><td></td><td>4</td><td></td><td>2</td></tr> </table>	56	55	54	53	51		49	48	47		44				40	39	37	36	35	34	33		30					25			22	21	20	19	18	16				13	12		9	7		4		2
56	55	54	53	51		49	48	47		44																																													
		40	39	37	36	35	34	33		30																																													
			25			22	21	20	19	18	16																																												
			13	12		9	7		4		2																																												
AVAILABLE	NOT APPLICABLE	34576-4803	F	0	G	BLUE	<table border="1"> <tr><td></td><td>55</td><td></td><td>53</td><td>51</td><td></td><td>49</td><td>48</td><td>47</td><td></td><td>44</td><td></td></tr> <tr><td></td><td></td><td>40</td><td>39</td><td>37</td><td>36</td><td>35</td><td>34</td><td>33</td><td></td><td>29</td><td></td></tr> <tr><td></td><td></td><td></td><td>26</td><td></td><td></td><td></td><td></td><td>20</td><td>19</td><td>18</td><td>16</td></tr> <tr><td></td><td></td><td></td><td>13</td><td>12</td><td></td><td>9</td><td>7</td><td></td><td>4</td><td></td><td>2</td></tr> </table>		55		53	51		49	48	47		44				40	39	37	36	35	34	33		29					26					20	19	18	16				13	12		9	7		4		2
	55		53	51		49	48	47		44																																													
		40	39	37	36	35	34	33		29																																													
			26					20	19	18	16																																												
			13	12		9	7		4		2																																												
ACTIVE	NOT APPLICABLE	34576-4903	F	9	G	BLUE	<table border="1"> <tr><td></td><td>55</td><td>54</td><td>53</td><td></td><td></td><td>49</td><td>48</td><td>47</td><td>46</td><td>44</td><td></td></tr> <tr><td></td><td></td><td>40</td><td></td><td>37</td><td>36</td><td>35</td><td>34</td><td>33</td><td>32</td><td>31</td><td></td></tr> <tr><td></td><td></td><td></td><td>26</td><td></td><td></td><td></td><td></td><td>20</td><td>19</td><td>18</td><td></td></tr> <tr><td></td><td></td><td></td><td>13</td><td>12</td><td></td><td>9</td><td>7</td><td></td><td></td><td></td><td></td></tr> </table>		55	54	53			49	48	47	46	44				40		37	36	35	34	33	32	31					26					20	19	18					13	12		9	7				
	55	54	53			49	48	47	46	44																																													
		40		37	36	35	34	33	32	31																																													
			26					20	19	18																																													
			13	12		9	7																																																
AVAILABLE	NOT APPLICABLE	34576-5003	F	0	G	BLUE	<table border="1"> <tr><td></td><td>55</td><td>54</td><td>53</td><td></td><td></td><td>49</td><td>48</td><td>47</td><td>45</td><td>44</td><td></td></tr> <tr><td></td><td></td><td>40</td><td></td><td>37</td><td>36</td><td>35</td><td>34</td><td>33</td><td></td><td></td><td></td></tr> <tr><td></td><td></td><td></td><td>26</td><td></td><td></td><td></td><td></td><td>20</td><td>19</td><td>18</td><td></td></tr> <tr><td></td><td></td><td></td><td>13</td><td>12</td><td></td><td>9</td><td>7</td><td></td><td></td><td></td><td></td></tr> </table>		55	54	53			49	48	47	45	44				40		37	36	35	34	33							26					20	19	18					13	12		9	7				
	55	54	53			49	48	47	45	44																																													
		40		37	36	35	34	33																																															
			26					20	19	18																																													
			13	12		9	7																																																
AVAILABLE	NOT APPLICABLE	34576-5103	F	0	G	BLUE	<table border="1"> <tr><td></td><td>55</td><td></td><td>53</td><td>51</td><td></td><td>49</td><td>48</td><td>47</td><td></td><td>44</td><td></td></tr> <tr><td></td><td></td><td>40</td><td></td><td>37</td><td>36</td><td>35</td><td>34</td><td>33</td><td></td><td>29</td><td></td></tr> <tr><td></td><td></td><td></td><td>26</td><td></td><td>24</td><td></td><td></td><td>20</td><td>19</td><td>18</td><td>16</td></tr> <tr><td></td><td></td><td></td><td>13</td><td>12</td><td></td><td>9</td><td>7</td><td></td><td>4</td><td></td><td>2</td></tr> </table>		55		53	51		49	48	47		44				40		37	36	35	34	33		29					26		24			20	19	18	16				13	12		9	7		4		2
	55		53	51		49	48	47		44																																													
		40		37	36	35	34	33		29																																													
			26		24			20	19	18	16																																												
			13	12		9	7		4		2																																												

ENTER DESCRIPTION EC NO: UAU2010-1803 DRAWN BY: CHKD:TSK IVER APPR:VKOSHY DATE: 2010/06/02 DATE: 2008/02/20 DATE: 2010/06/04	QUALITY SYMBOLS = 0 = 0.1	GENERAL TOLERANCES (UNLESS SPECIFIED) <table border="1"> <tr><th></th><th>mm</th><th>INCH</th></tr> <tr><td>4 PLACES</td><td>±0.15</td><td>±---</td></tr> <tr><td>3 PLACES</td><td>±---</td><td>±---</td></tr> <tr><td>2 PLACES</td><td>±---</td><td>±---</td></tr> <tr><td>1 PLACE</td><td>±---</td><td>±---</td></tr> </table>		mm	INCH	4 PLACES	±0.15	±---	3 PLACES	±---	±---	2 PLACES	±---	±---	1 PLACE	±---	±---	DIMENSION STYLE MM ONLY	SCALE SCALE	DESIGN UNITS METRIC	THIRD ANGLE PROJECTION
		mm	INCH																		
	4 PLACES	±0.15	±---																		
	3 PLACES	±---	±---																		
2 PLACES	±---	±---																			
1 PLACE	±---	±---																			
REVISIONS 15	DRAFT WHERE APPLICABLE MUST REMAIN WITHIN DIMENSIONS	APPROVED BY VKOSHY DATE: 2008/02/20	DRAWN BY SRAJENDRANAT DATE: 2008/02/20	CHECKED BY TSK IVER DATE: 2008/02/20	TITLE MX123 49/56 CKT HRNS CONN ASSY	MOLEX INCORPORATED															
MATERIAL NO. SEE BOM TABLE	DOCUMENT NO. SD-34576-001	SHEET NO. 8 OF 11	THIS DRAWING CONTAINS INFORMATION THAT IS PROPRIETARY TO MOLEX INCORPORATED AND SHOULD NOT BE USED WITHOUT WRITTEN PERMISSION																		
SIZE D																					

19 18 17 16 15 14 13 12 11 10 9 8 7 6 5 4 3 2 1

20 19 18 17 16 15 14 13 12 11 10 9 8 7 6 5 4 3 2 1

STATUS	GM PART #	MATERIAL #	PART/MATERIAL REVISION	WIRE DRESS OPTION	KEY OPTION	COLOR (TPA)	NUMBERS INDICATE CAVITIES OPEN FOR CIRCUITS																																																						
AVAILABLE	NOT APPLICABLE	34576-5203	F	0	G	BLUE	<table border="1"> <tr><td>56</td><td>55</td><td>54</td><td>53</td><td></td><td></td><td>49</td><td>48</td><td>47</td><td></td><td>44</td></tr> <tr><td></td><td></td><td>40</td><td>39</td><td></td><td>37</td><td>36</td><td>35</td><td>34</td><td>33</td><td></td><td>29</td></tr> <tr><td></td><td></td><td></td><td></td><td></td><td></td><td></td><td></td><td>20</td><td>19</td><td>18</td><td></td><td>15</td></tr> <tr><td></td><td></td><td>13</td><td>12</td><td></td><td></td><td>9</td><td>7</td><td></td><td></td><td></td><td></td><td></td></tr> </table>	56	55	54	53			49	48	47		44			40	39		37	36	35	34	33		29									20	19	18		15			13	12			9	7										
56	55	54	53			49	48	47		44																																																			
		40	39		37	36	35	34	33		29																																																		
								20	19	18		15																																																	
		13	12			9	7																																																						
AVAILABLE	NOT APPLICABLE	34576-5403	F	0	G	BLUE	<table border="1"> <tr><td></td><td>55</td><td></td><td>53</td><td></td><td>51</td><td></td><td>49</td><td>48</td><td>47</td><td></td><td>44</td><td></td></tr> <tr><td></td><td></td><td>40</td><td>39</td><td></td><td>37</td><td>36</td><td>35</td><td>34</td><td>33</td><td></td><td>30</td><td></td></tr> <tr><td></td><td></td><td>26</td><td>25</td><td></td><td></td><td>22</td><td>21</td><td>20</td><td>19</td><td>18</td><td>16</td><td></td></tr> <tr><td></td><td></td><td>13</td><td>12</td><td></td><td></td><td>9</td><td>7</td><td></td><td></td><td>4</td><td>2</td><td>1</td></tr> </table>		55		53		51		49	48	47		44				40	39		37	36	35	34	33		30				26	25			22	21	20	19	18	16				13	12			9	7			4	2	1		
	55		53		51		49	48	47		44																																																		
		40	39		37	36	35	34	33		30																																																		
		26	25			22	21	20	19	18	16																																																		
		13	12			9	7			4	2	1																																																	
AVAILABLE	NOT APPLICABLE	34576-5503	F	0	G	BLUE	<table border="1"> <tr><td>56</td><td>55</td><td></td><td>53</td><td></td><td>51</td><td></td><td>49</td><td>48</td><td>47</td><td></td><td>44</td><td></td></tr> <tr><td></td><td></td><td>40</td><td>39</td><td></td><td>37</td><td>36</td><td>35</td><td>34</td><td>33</td><td></td><td>30</td><td></td></tr> <tr><td></td><td></td><td></td><td>25</td><td></td><td>22</td><td>21</td><td>20</td><td>19</td><td>18</td><td></td><td>16</td><td></td></tr> <tr><td></td><td></td><td>13</td><td>12</td><td></td><td></td><td>9</td><td>7</td><td></td><td></td><td>4</td><td>2</td><td>1</td></tr> </table>	56	55		53		51		49	48	47		44				40	39		37	36	35	34	33		30					25		22	21	20	19	18		16				13	12			9	7			4	2	1		
56	55		53		51		49	48	47		44																																																		
		40	39		37	36	35	34	33		30																																																		
			25		22	21	20	19	18		16																																																		
		13	12			9	7			4	2	1																																																	
AVAILABLE	NOT APPLICABLE	34576-5603	F	0	G	BLUE	<table border="1"> <tr><td>56</td><td>55</td><td></td><td>53</td><td></td><td></td><td>49</td><td>48</td><td>47</td><td>46</td><td>44</td><td></td><td></td></tr> <tr><td></td><td></td><td>40</td><td>39</td><td></td><td>37</td><td>36</td><td>35</td><td>34</td><td>33</td><td>32</td><td>31</td><td>30</td></tr> <tr><td></td><td></td><td></td><td>25</td><td></td><td>22</td><td>21</td><td>20</td><td>19</td><td>18</td><td></td><td>16</td><td></td></tr> <tr><td></td><td></td><td>13</td><td>12</td><td></td><td></td><td>9</td><td>7</td><td></td><td></td><td>4</td><td>2</td><td>1</td></tr> </table>	56	55		53			49	48	47	46	44					40	39		37	36	35	34	33	32	31	30				25		22	21	20	19	18		16				13	12			9	7			4	2	1		
56	55		53			49	48	47	46	44																																																			
		40	39		37	36	35	34	33	32	31	30																																																	
			25		22	21	20	19	18		16																																																		
		13	12			9	7			4	2	1																																																	
AVAILABLE	NOT APPLICABLE	34576-5703	F	0	G	BLUE	<table border="1"> <tr><td></td><td>55</td><td></td><td>53</td><td></td><td></td><td>49</td><td>48</td><td>47</td><td>46</td><td>44</td><td></td><td></td></tr> <tr><td></td><td></td><td>40</td><td>39</td><td></td><td>37</td><td>36</td><td>35</td><td>34</td><td>33</td><td>32</td><td>31</td><td>30</td></tr> <tr><td></td><td></td><td>26</td><td>25</td><td></td><td>22</td><td>21</td><td>20</td><td>19</td><td>18</td><td></td><td>16</td><td></td></tr> <tr><td></td><td></td><td>13</td><td>12</td><td></td><td></td><td>9</td><td>7</td><td></td><td></td><td>4</td><td>2</td><td>1</td></tr> </table>		55		53			49	48	47	46	44					40	39		37	36	35	34	33	32	31	30			26	25		22	21	20	19	18		16				13	12			9	7			4	2	1		
	55		53			49	48	47	46	44																																																			
		40	39		37	36	35	34	33	32	31	30																																																	
		26	25		22	21	20	19	18		16																																																		
		13	12			9	7			4	2	1																																																	
AVAILABLE	NOT APPLICABLE	34576-5803	F	0	G	BLUE	<table border="1"> <tr><td></td><td>55</td><td></td><td>53</td><td></td><td></td><td>49</td><td>48</td><td>47</td><td>46</td><td>45</td><td>44</td><td></td></tr> <tr><td></td><td></td><td>40</td><td>39</td><td></td><td>37</td><td>36</td><td>35</td><td>34</td><td>33</td><td></td><td></td><td></td></tr> <tr><td></td><td></td><td>26</td><td>25</td><td></td><td></td><td></td><td></td><td>20</td><td>19</td><td>18</td><td></td><td></td></tr> <tr><td></td><td></td><td>13</td><td>12</td><td></td><td></td><td>9</td><td>7</td><td></td><td></td><td></td><td></td><td></td></tr> </table>		55		53			49	48	47	46	45	44				40	39		37	36	35	34	33						26	25					20	19	18					13	12			9	7							
	55		53			49	48	47	46	45	44																																																		
		40	39		37	36	35	34	33																																																				
		26	25					20	19	18																																																			
		13	12			9	7																																																						
AVAILABLE	NOT APPLICABLE	34576-5903	F	0	G	BLUE	<table border="1"> <tr><td>56</td><td></td><td></td><td>53</td><td>52</td><td></td><td></td><td></td><td></td><td>47</td><td>45</td><td>43</td><td></td></tr> <tr><td>41</td><td>40</td><td>39</td><td>38</td><td></td><td></td><td></td><td></td><td>34</td><td>33</td><td>31</td><td>30</td><td>29</td></tr> <tr><td>28</td><td>27</td><td>26</td><td>25</td><td>24</td><td></td><td></td><td></td><td></td><td>20</td><td>19</td><td>18</td><td>16</td></tr> <tr><td>13</td><td>12</td><td>11</td><td>10</td><td></td><td></td><td></td><td></td><td></td><td></td><td>5</td><td>4</td><td>3</td><td>2</td></tr> </table>	56			53	52					47	45	43		41	40	39	38					34	33	31	30	29	28	27	26	25	24					20	19	18	16	13	12	11	10							5	4	3	2	
56			53	52					47	45	43																																																		
41	40	39	38					34	33	31	30	29																																																	
28	27	26	25	24					20	19	18	16																																																	
13	12	11	10							5	4	3	2																																																
AVAILABLE	NOT APPLICABLE	34576-6003	F	0	G	BLUE	<table border="1"> <tr><td>56</td><td></td><td></td><td>53</td><td>52</td><td></td><td>50</td><td></td><td></td><td>47</td><td>45</td><td>43</td><td></td></tr> <tr><td></td><td>40</td><td>39</td><td>38</td><td></td><td></td><td></td><td></td><td>34</td><td>33</td><td>31</td><td>30</td><td>29</td></tr> <tr><td>28</td><td>27</td><td>26</td><td>25</td><td>24</td><td></td><td></td><td></td><td></td><td>20</td><td>19</td><td>18</td><td>16</td></tr> <tr><td>14</td><td>13</td><td>12</td><td>11</td><td>10</td><td></td><td></td><td></td><td></td><td></td><td>5</td><td>4</td><td>3</td><td>2</td></tr> </table>	56			53	52		50			47	45	43			40	39	38					34	33	31	30	29	28	27	26	25	24					20	19	18	16	14	13	12	11	10						5	4	3	2	
56			53	52		50			47	45	43																																																		
	40	39	38					34	33	31	30	29																																																	
28	27	26	25	24					20	19	18	16																																																	
14	13	12	11	10						5	4	3	2																																																
AVAILABLE	NOT APPLICABLE	34576-6103	F	0	G	BLUE	<table border="1"> <tr><td>56</td><td>55</td><td>54</td><td>53</td><td></td><td>51</td><td></td><td>49</td><td>48</td><td>47</td><td></td><td>44</td><td></td></tr> <tr><td></td><td></td><td>40</td><td>39</td><td></td><td>37</td><td>36</td><td>35</td><td>34</td><td>33</td><td></td><td>30</td><td>29</td></tr> <tr><td></td><td></td><td></td><td></td><td></td><td></td><td></td><td></td><td></td><td>20</td><td>19</td><td>18</td><td>16</td><td>15</td></tr> <tr><td></td><td></td><td>13</td><td>12</td><td></td><td></td><td>9</td><td>7</td><td></td><td></td><td>4</td><td>2</td><td></td><td></td></tr> </table>	56	55	54	53		51		49	48	47		44				40	39		37	36	35	34	33		30	29										20	19	18	16	15			13	12			9	7			4	2		
56	55	54	53		51		49	48	47		44																																																		
		40	39		37	36	35	34	33		30	29																																																	
									20	19	18	16	15																																																
		13	12			9	7			4	2																																																		

ENTER DESCRIPTION EC NO: UAU2010-1803 DRAWN: H01 CHECKED: TSK IVER APPROVED: VKOSHY DATE: 2010/06/02 DATE: 2008/02/20 DATE: 2010/06/04	QUALITY SYMBOLS =0 =0	GENERAL TOLERANCES (UNLESS SPECIFIED) <table border="1"> <tr><th></th><th>mm</th><th>INCH</th></tr> <tr><td>4 PLACES</td><td>+---</td><td>+---</td></tr> <tr><td>3 PLACES</td><td>+---</td><td>+---</td></tr> <tr><td>2 PLACES</td><td>+---</td><td>+---</td></tr> <tr><td>1 PLACE</td><td>+---</td><td>+---</td></tr> </table>		mm	INCH	4 PLACES	+---	+---	3 PLACES	+---	+---	2 PLACES	+---	+---	1 PLACE	+---	+---	DIMENSION STYLE MM ONLY	SCALE SCALE	DESIGN UNITS METRIC	THIRD ANGLE PROJECTION
		mm	INCH																		
	4 PLACES	+---	+---																		
	3 PLACES	+---	+---																		
2 PLACES	+---	+---																			
1 PLACE	+---	+---																			
APPROVED BY TSK IVER DATE: 2008/02/20	APPROVED BY VKOSHY DATE: 2008/02/20	DRAFT WHERE APPLICABLE MUST REMAIN WITHIN DIMENSIONS	SEE BOM TABLE	MOLEX INCORPORATED MOLEX INCORPORATED	DOCUMENT NO. SD-34576-001	SHEET NO. 9 OF 11															
THIS DRAWING CONTAINS INFORMATION THAT IS PROPRIETARY TO MOLEX INCORPORATED AND SHOULD NOT BE USED WITHOUT WRITTEN PERMISSION																					
SIZE D																					

19 18 17 16 15 14 13 12 11 10 9 8 7 6 5 4 3 2 1

STATUS	GM PART #	MATERIAL #	PART/MATERIAL REVISION	WIRE DRESS OPTION	KEY OPTION	COLOR (TFA)	NUMBERS INDICATE CAVITIES OPEN FOR CIRCUITS																																																
AVAILABLE	NOT APPLICABLE	34576-6203	G	0	G	BLUE	<table border="1"> <tr><td>55</td><td>54</td><td>53</td><td></td><td></td><td>49</td><td>48</td><td>47</td><td>46</td><td>45</td><td>44</td><td></td></tr> <tr><td></td><td>40</td><td></td><td></td><td>37</td><td>36</td><td>35</td><td>34</td><td>33</td><td></td><td></td><td></td></tr> <tr><td></td><td></td><td>26</td><td></td><td></td><td></td><td></td><td>20</td><td>19</td><td>18</td><td></td><td></td></tr> <tr><td></td><td></td><td></td><td></td><td>9</td><td>7</td><td></td><td></td><td></td><td></td><td></td><td></td></tr> </table>	55	54	53			49	48	47	46	45	44			40			37	36	35	34	33						26					20	19	18							9	7						
55	54	53			49	48	47	46	45	44																																													
	40			37	36	35	34	33																																															
		26					20	19	18																																														
				9	7																																																		
AVAILABLE	NOT APPLICABLE	34576-6303	G	0	G	BLUE	<table border="1"> <tr><td>55</td><td>54</td><td>53</td><td>51</td><td>49</td><td>48</td><td>47</td><td></td><td></td><td></td><td>44</td><td></td></tr> <tr><td></td><td>40</td><td>39</td><td>37</td><td>36</td><td>35</td><td>34</td><td>33</td><td></td><td></td><td></td><td>29</td></tr> <tr><td></td><td></td><td>26</td><td></td><td></td><td></td><td>20</td><td>19</td><td>18</td><td></td><td>16</td><td>15</td></tr> <tr><td></td><td></td><td></td><td>9</td><td>7</td><td></td><td></td><td></td><td>4</td><td></td><td>2</td><td></td></tr> </table>	55	54	53	51	49	48	47				44			40	39	37	36	35	34	33				29			26				20	19	18		16	15				9	7				4		2	
55	54	53	51	49	48	47				44																																													
	40	39	37	36	35	34	33				29																																												
		26				20	19	18		16	15																																												
			9	7				4		2																																													
AVAILABLE	NOT APPLICABLE	34576-6403	G	0	G	BLUE	<table border="1"> <tr><td>55</td><td>54</td><td></td><td></td><td></td><td>49</td><td>48</td><td>47</td><td></td><td></td><td>44</td><td></td></tr> <tr><td></td><td>41</td><td>40</td><td></td><td></td><td>37</td><td>36</td><td>35</td><td>34</td><td>33</td><td></td><td></td></tr> <tr><td></td><td></td><td></td><td></td><td></td><td></td><td></td><td></td><td>20</td><td>19</td><td>18</td><td></td></tr> <tr><td></td><td></td><td></td><td></td><td>9</td><td>8</td><td>7</td><td></td><td></td><td></td><td></td><td>3</td></tr> </table>	55	54				49	48	47			44			41	40			37	36	35	34	33											20	19	18						9	8	7					3
55	54				49	48	47			44																																													
	41	40			37	36	35	34	33																																														
								20	19	18																																													
				9	8	7					3																																												
AVAILABLE	NOT APPLICABLE	34576-6503	G	0	G	BLUE	<table border="1"> <tr><td></td><td>54</td><td></td><td></td><td></td><td></td><td></td><td>47</td><td>46</td><td>45</td><td>43</td><td></td></tr> <tr><td>41</td><td>40</td><td>39</td><td>38</td><td>37</td><td></td><td></td><td>33</td><td>32</td><td>31</td><td>30</td><td>29</td></tr> <tr><td>28</td><td>27</td><td>26</td><td>25</td><td>24</td><td>23</td><td></td><td>20</td><td>19</td><td>18</td><td></td><td>16</td></tr> <tr><td></td><td>13</td><td>12</td><td>11</td><td>10</td><td>9</td><td></td><td></td><td></td><td></td><td>3</td><td>2</td></tr> </table>		54						47	46	45	43		41	40	39	38	37			33	32	31	30	29	28	27	26	25	24	23		20	19	18		16		13	12	11	10	9					3	2
	54						47	46	45	43																																													
41	40	39	38	37			33	32	31	30	29																																												
28	27	26	25	24	23		20	19	18		16																																												
	13	12	11	10	9					3	2																																												
AVAILABLE	NOT APPLICABLE	34576-6603	G	0	G	BLUE	<table border="1"> <tr><td></td><td>54</td><td></td><td></td><td></td><td></td><td></td><td>47</td><td>46</td><td>45</td><td>43</td><td></td></tr> <tr><td>41</td><td>40</td><td>39</td><td>38</td><td>37</td><td></td><td></td><td>34</td><td>33</td><td>32</td><td>31</td><td>30</td></tr> <tr><td>28</td><td>27</td><td>26</td><td>25</td><td>24</td><td>23</td><td></td><td>20</td><td>19</td><td>18</td><td></td><td>16</td></tr> <tr><td></td><td>13</td><td>12</td><td>11</td><td>10</td><td>9</td><td></td><td></td><td></td><td></td><td>3</td><td>2</td></tr> </table>		54						47	46	45	43		41	40	39	38	37			34	33	32	31	30	28	27	26	25	24	23		20	19	18		16		13	12	11	10	9					3	2
	54						47	46	45	43																																													
41	40	39	38	37			34	33	32	31	30																																												
28	27	26	25	24	23		20	19	18		16																																												
	13	12	11	10	9					3	2																																												
AVAILABLE	NOT APPLICABLE	34576-6703	G	0	G	BLUE	<table border="1"> <tr><td>55</td><td></td><td></td><td>52</td><td>51</td><td></td><td></td><td>48</td><td></td><td>46</td><td>45</td><td>43</td></tr> <tr><td>41</td><td>40</td><td>39</td><td>38</td><td></td><td></td><td></td><td></td><td>33</td><td>32</td><td>31</td><td>30</td></tr> <tr><td>28</td><td></td><td>26</td><td>25</td><td>24</td><td></td><td></td><td></td><td>20</td><td>19</td><td>18</td><td>16</td></tr> <tr><td></td><td>13</td><td>12</td><td>11</td><td>10</td><td></td><td></td><td></td><td></td><td></td><td>3</td><td>2</td></tr> </table>	55			52	51			48		46	45	43	41	40	39	38					33	32	31	30	28		26	25	24				20	19	18	16		13	12	11	10						3	2
55			52	51			48		46	45	43																																												
41	40	39	38					33	32	31	30																																												
28		26	25	24				20	19	18	16																																												
	13	12	11	10						3	2																																												
AVAILABLE	NOT APPLICABLE	34576-6803	G	0	G	BLUE	<table border="1"> <tr><td></td><td></td><td></td><td>52</td><td></td><td></td><td></td><td>48</td><td></td><td>46</td><td>45</td><td>43</td></tr> <tr><td>41</td><td>40</td><td>39</td><td>38</td><td></td><td></td><td></td><td></td><td>33</td><td>32</td><td>31</td><td>30</td></tr> <tr><td>28</td><td></td><td>26</td><td>25</td><td>24</td><td></td><td></td><td></td><td>20</td><td>19</td><td>18</td><td>16</td></tr> <tr><td></td><td>13</td><td>12</td><td>11</td><td>10</td><td></td><td></td><td></td><td></td><td></td><td>3</td><td>2</td></tr> </table>				52				48		46	45	43	41	40	39	38					33	32	31	30	28		26	25	24				20	19	18	16		13	12	11	10						3	2
			52				48		46	45	43																																												
41	40	39	38					33	32	31	30																																												
28		26	25	24				20	19	18	16																																												
	13	12	11	10						3	2																																												
AVAILABLE	NOT APPLICABLE	34576-6813	G	0	G	BLUE	<table border="1"> <tr><td>56</td><td>55</td><td>54</td><td>53</td><td>51</td><td>50</td><td>49</td><td></td><td>47</td><td></td><td></td><td>44</td></tr> <tr><td>42</td><td></td><td>39</td><td>37</td><td>36</td><td>35</td><td>34</td><td></td><td></td><td></td><td></td><td></td></tr> <tr><td></td><td>27</td><td></td><td>25</td><td>23</td><td>22</td><td>21</td><td></td><td></td><td></td><td>17</td><td></td></tr> <tr><td></td><td>14</td><td></td><td>11</td><td></td><td>9</td><td>8</td><td>7</td><td>6</td><td>5</td><td>4</td><td></td></tr> </table>	56	55	54	53	51	50	49		47			44	42		39	37	36	35	34							27		25	23	22	21				17			14		11		9	8	7	6	5	4	
56	55	54	53	51	50	49		47			44																																												
42		39	37	36	35	34																																																	
	27		25	23	22	21				17																																													
	14		11		9	8	7	6	5	4																																													
AVAILABLE	NOT APPLICABLE	34576-6823	G	0	G	BLUE	<table border="1"> <tr><td>56</td><td>54</td><td>53</td><td></td><td></td><td>50</td><td>49</td><td></td><td>47</td><td></td><td></td><td>44</td></tr> <tr><td>42</td><td></td><td>39</td><td></td><td></td><td>37</td><td>36</td><td>35</td><td>34</td><td></td><td></td><td></td></tr> <tr><td></td><td>27</td><td></td><td>25</td><td></td><td>23</td><td>22</td><td>21</td><td></td><td></td><td>17</td><td></td></tr> <tr><td></td><td>14</td><td></td><td>11</td><td></td><td>9</td><td>8</td><td>7</td><td>6</td><td>5</td><td>4</td><td></td></tr> </table>	56	54	53			50	49		47			44	42		39			37	36	35	34					27		25		23	22	21			17			14		11		9	8	7	6	5	4	
56	54	53			50	49		47			44																																												
42		39			37	36	35	34																																															
	27		25		23	22	21			17																																													
	14		11		9	8	7	6	5	4																																													

ENTER DESCRIPTION EC NO. UAU2010-1803 DRAWN BY: CHYD:SKIVER DATE: 2008/02/20 APPR: VKOSHY DATE: 2010/06/04	QUALITY SYMBOLS =0 =0	GENERAL TOLERANCES (UNLESS SPECIFIED) mm INCH 4 PLACES ± --- ± --- 3 PLACES ± --- ± --- 2 PLACES ± --- ± --- 1 PLACE ± --- ± --- ANGULAR ± ---°	DIMENSION STYLE MM ONLY	SCALE 1:1	DESIGN UNITS METRIC	THIRD ANGLE PROJECTION	
	DRAWN BY: SRAJENDRANAT DATE: 2008/02/20	CHECKED BY: TSKIVER DATE: 2008/02/20	APPROVED BY: VKOSHY DATE: 2008/02/20	MATERIAL NO.	DOCUMENT NO.	TITLE MX123 49/56 CKT HRNS CONN ASSY	SHEET NO. 10 OF 11
	DRAFT WHERE APPLICABLE MUST REMAIN WITHIN DIMENSIONS			SEE BOM TABLE	MOLEX INCORPORATED		SD-34576-001
	THIS DRAWING CONTAINS INFORMATION THAT IS PROPRIETARY TO MOLEX INCORPORATED AND SHOULD NOT BE USED WITHOUT WRITTEN PERMISSION						

STATUS	GM PART #	MATERIAL #	PART/MATERIAL REVISION	WIRE DRESS OPTION	KEY OPTION	COLOR (TFA)	NUMBERS INDICATE CAVITIES OPEN FOR CIRCUITS																																																						
AVAILABLE	NOT APPLICABLE	34576-6833	G	0	G	BLUE	<table border="1"> <tr><td>56</td><td>54</td><td>53</td><td></td><td></td><td>50</td><td>49</td><td>47</td><td></td><td></td><td></td><td></td></tr> <tr><td></td><td></td><td></td><td></td><td></td><td></td><td>21</td><td></td><td></td><td></td><td>17</td><td></td></tr> <tr><td>14</td><td></td><td>11</td><td>9</td><td>8</td><td>7</td><td>6</td><td>5</td><td>4</td><td></td><td></td><td></td></tr> </table>	56	54	53			50	49	47											21				17		14		11	9	8	7	6	5	4																					
56	54	53			50	49	47																																																						
						21				17																																																			
14		11	9	8	7	6	5	4																																																					
AVAILABLE	NOT APPLICABLE	34576-6843	G	0	G	BLUE	<table border="1"> <tr><td>56</td><td>54</td><td>53</td><td>52</td><td></td><td></td><td></td><td>47</td><td>46</td><td>45</td><td>43</td><td></td></tr> <tr><td></td><td>41</td><td>40</td><td>39</td><td>38</td><td>37</td><td></td><td></td><td>33</td><td>32</td><td>31</td><td>30</td><td>29</td></tr> <tr><td>28</td><td>27</td><td>26</td><td>25</td><td>24</td><td>23</td><td></td><td></td><td>20</td><td>19</td><td>18</td><td></td><td>16</td></tr> <tr><td></td><td>13</td><td>12</td><td>11</td><td>10</td><td>9</td><td></td><td></td><td></td><td></td><td>3</td><td>2</td><td></td></tr> </table>	56	54	53	52				47	46	45	43			41	40	39	38	37			33	32	31	30	29	28	27	26	25	24	23			20	19	18		16		13	12	11	10	9					3	2				
56	54	53	52				47	46	45	43																																																			
	41	40	39	38	37			33	32	31	30	29																																																	
28	27	26	25	24	23			20	19	18		16																																																	
	13	12	11	10	9					3	2																																																		
AVAILABLE	NOT APPLICABLE	34576-6853	G	0	G	BLUE	<table border="1"> <tr><td>56</td><td>54</td><td>53</td><td>52</td><td></td><td></td><td></td><td>47</td><td>46</td><td>45</td><td>43</td><td></td></tr> <tr><td></td><td>41</td><td>40</td><td>39</td><td>38</td><td>37</td><td></td><td></td><td>34</td><td>33</td><td>32</td><td>31</td><td>30</td><td>29</td></tr> <tr><td>28</td><td>27</td><td>26</td><td>25</td><td>24</td><td>23</td><td></td><td></td><td>20</td><td>19</td><td>18</td><td></td><td>16</td><td></td></tr> <tr><td></td><td>13</td><td>12</td><td>11</td><td>10</td><td>9</td><td></td><td></td><td></td><td></td><td>3</td><td>2</td><td></td><td></td></tr> </table>	56	54	53	52				47	46	45	43			41	40	39	38	37			34	33	32	31	30	29	28	27	26	25	24	23			20	19	18		16			13	12	11	10	9					3	2		
56	54	53	52				47	46	45	43																																																			
	41	40	39	38	37			34	33	32	31	30	29																																																
28	27	26	25	24	23			20	19	18		16																																																	
	13	12	11	10	9					3	2																																																		
AVAILABLE	NOT APPLICABLE	34576-6863	G	0	G	BLUE	<table border="1"> <tr><td></td><td>55</td><td></td><td>52</td><td>51</td><td></td><td></td><td>48</td><td>46</td><td>45</td><td>43</td><td></td></tr> <tr><td></td><td>41</td><td>40</td><td>38</td><td></td><td></td><td></td><td></td><td>33</td><td>32</td><td>31</td><td>30</td><td>29</td></tr> <tr><td>28</td><td></td><td>26</td><td>24</td><td></td><td></td><td></td><td>20</td><td>19</td><td>18</td><td></td><td>16</td><td>15</td></tr> <tr><td></td><td>13</td><td>12</td><td>10</td><td></td><td></td><td></td><td></td><td></td><td></td><td>3</td><td>2</td><td>1</td></tr> </table>		55		52	51			48	46	45	43			41	40	38					33	32	31	30	29	28		26	24				20	19	18		16	15		13	12	10							3	2	1			
	55		52	51			48	46	45	43																																																			
	41	40	38					33	32	31	30	29																																																	
28		26	24				20	19	18		16	15																																																	
	13	12	10							3	2	1																																																	
AVAILABLE	NOT APPLICABLE	34576-6873	G	0	G	BLUE	<table border="1"> <tr><td></td><td></td><td></td><td>52</td><td></td><td></td><td></td><td>48</td><td>46</td><td>45</td><td>43</td><td></td></tr> <tr><td></td><td>41</td><td>40</td><td>38</td><td></td><td></td><td></td><td></td><td>33</td><td>32</td><td>31</td><td>30</td><td>29</td></tr> <tr><td>28</td><td></td><td>26</td><td>24</td><td></td><td></td><td></td><td>20</td><td>19</td><td>18</td><td></td><td>16</td><td>15</td></tr> <tr><td></td><td>13</td><td>12</td><td>10</td><td></td><td></td><td></td><td></td><td></td><td></td><td>3</td><td>2</td><td>1</td></tr> </table>				52				48	46	45	43			41	40	38					33	32	31	30	29	28		26	24				20	19	18		16	15		13	12	10							3	2	1			
			52				48	46	45	43																																																			
	41	40	38					33	32	31	30	29																																																	
28		26	24				20	19	18		16	15																																																	
	13	12	10							3	2	1																																																	

ENTER DESCRIPTION EC NO: JAU2010-1803 DRAWN BY: 2010/06/02 CHKD: SKIVER 2008/02/20 APPR: VKOSHY 2010/06/04 REV:	QUALITY SYMBOLS	GENERAL TOLERANCES (UNLESS SPECIFIED)	DIMENSION STYLE	SCALE	DESIGN UNITS	THIRD ANGLE PROJECTION
	▽=0	mm INCH	MM ONLY	1:1	METRIC	
	▽=0	4 PLACES ± --- ± ---	DRAWN BY: SRAJENDRANAT	DATE: 2008/02/20	TITLE: MX123 49/56 CKT HRNS CONN ASSY	
	▽=0	3 PLACES ± --- ± ---	CHECKED BY: TSKIVER	DATE: 2008/02/20	APPROVED BY: VKOSHY	DATE: 2008/02/20
	ANGULAR ± ---°	DRAFT WHERE APPLICABLE MUST REMAIN WITHIN DIMENSIONS	MATERIAL NO. SEE BOM TABLE	DOCUMENT NO. SD-34576-001	SHEET NO. 11 OF 11	

Данный компонент на территории Российской Федерации

Вы можете приобрести в компании MosChip.

Для оперативного оформления запроса Вам необходимо перейти по данной ссылке:

<http://moschip.ru/get-element>

Вы можете разместить у нас заказ для любого Вашего проекта, будь то серийное производство или разработка единичного прибора.

В нашем ассортименте представлены ведущие мировые производители активных и пассивных электронных компонентов.

Нашей специализацией является поставка электронной компонентной базы двойного назначения, продукции таких производителей как XILINX, Intel (ex.ALTERA), Vicor, Microchip, Texas Instruments, Analog Devices, Mini-Circuits, Amphenol, Glenair.

Сотрудничество с глобальными дистрибьюторами электронных компонентов, предоставляет возможность заказывать и получать с международных складов практически любой перечень компонентов в оптимальные для Вас сроки.

На всех этапах разработки и производства наши партнеры могут получить квалифицированную поддержку опытных инженеров.

Система менеджмента качества компании отвечает требованиям в соответствии с ГОСТ Р ИСО 9001, ГОСТ РВ 0015-002 и ЭС РД 009

Офис по работе с юридическими лицами:

105318, г.Москва, ул.Щербаковская д.3, офис 1107, 1118, ДЦ «Щербаковский»

Телефон: +7 495 668-12-70 (многоканальный)

Факс: +7 495 668-12-70 (доб.304)

E-mail: info@moschip.ru

Skype отдела продаж:

moschip.ru

moschip.ru_4

moschip.ru_6

moschip.ru_9