

104TL1 SERIES
CHART 2

M
DRAWING NUMBER
7
ISSUE

REVISIONS

A	C037951	J A L	7 DEC 76
B	MADE ETS	J A L	15 MAR 77
C	CO 50496	T S K	16 NOV 81
D	C056074	G J W	20 NOV 84
E	C057478	T A D	12 JUL 85
F	C058981	J A S	1 MAR 86

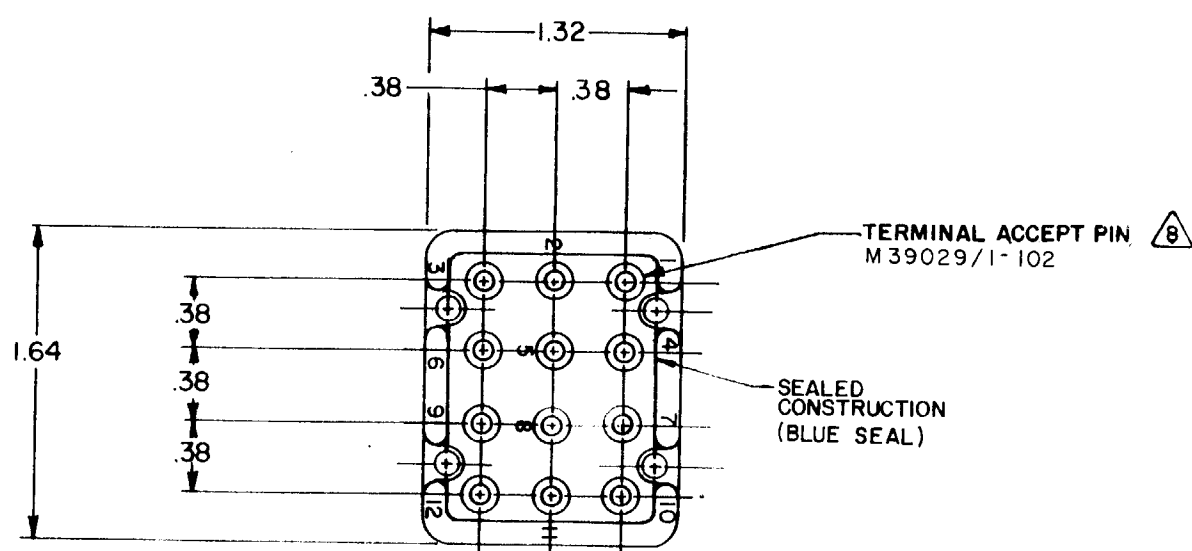
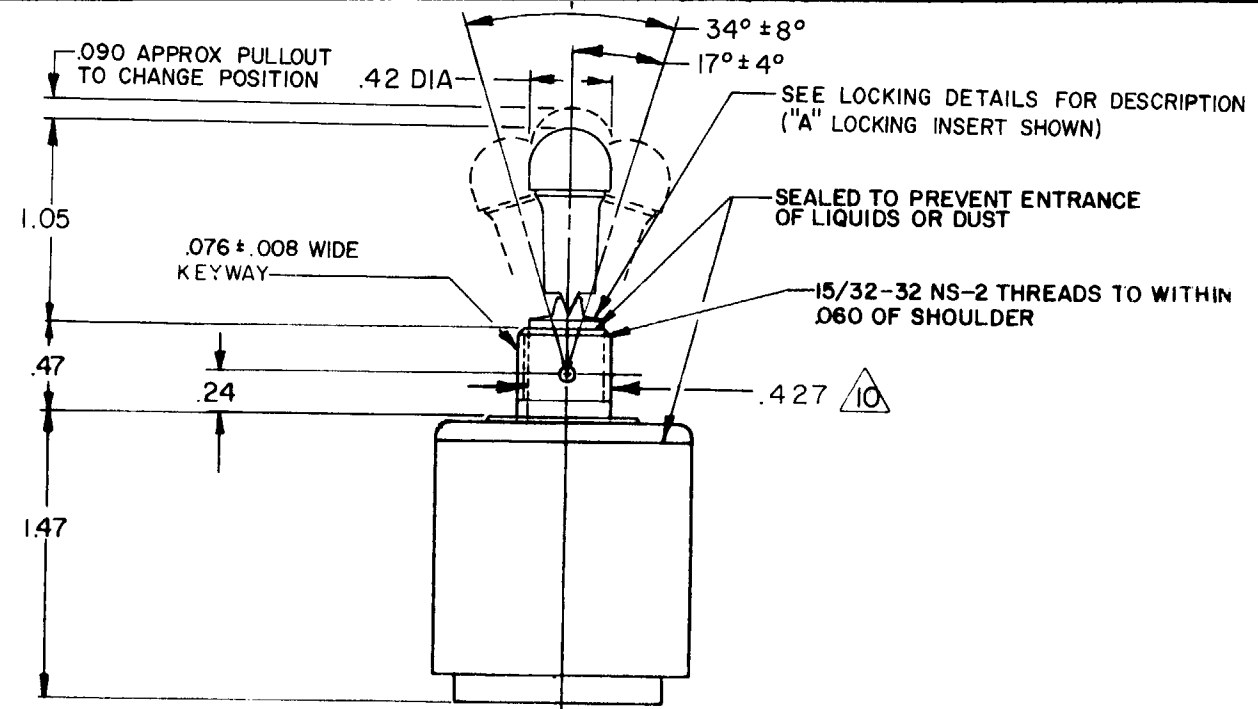
O-50378-2 A
DRAWN
GLH 17 JAN 74

MICRO SWITCH
FREEPORT, ILLINOIS, U.S.A.
A DIVISION OF HONEYWELL
FED. MFG. CODE 91929

SWITCH-TOGGLE

CATALOG LISTING
104TL1 SERIES
CHART 2

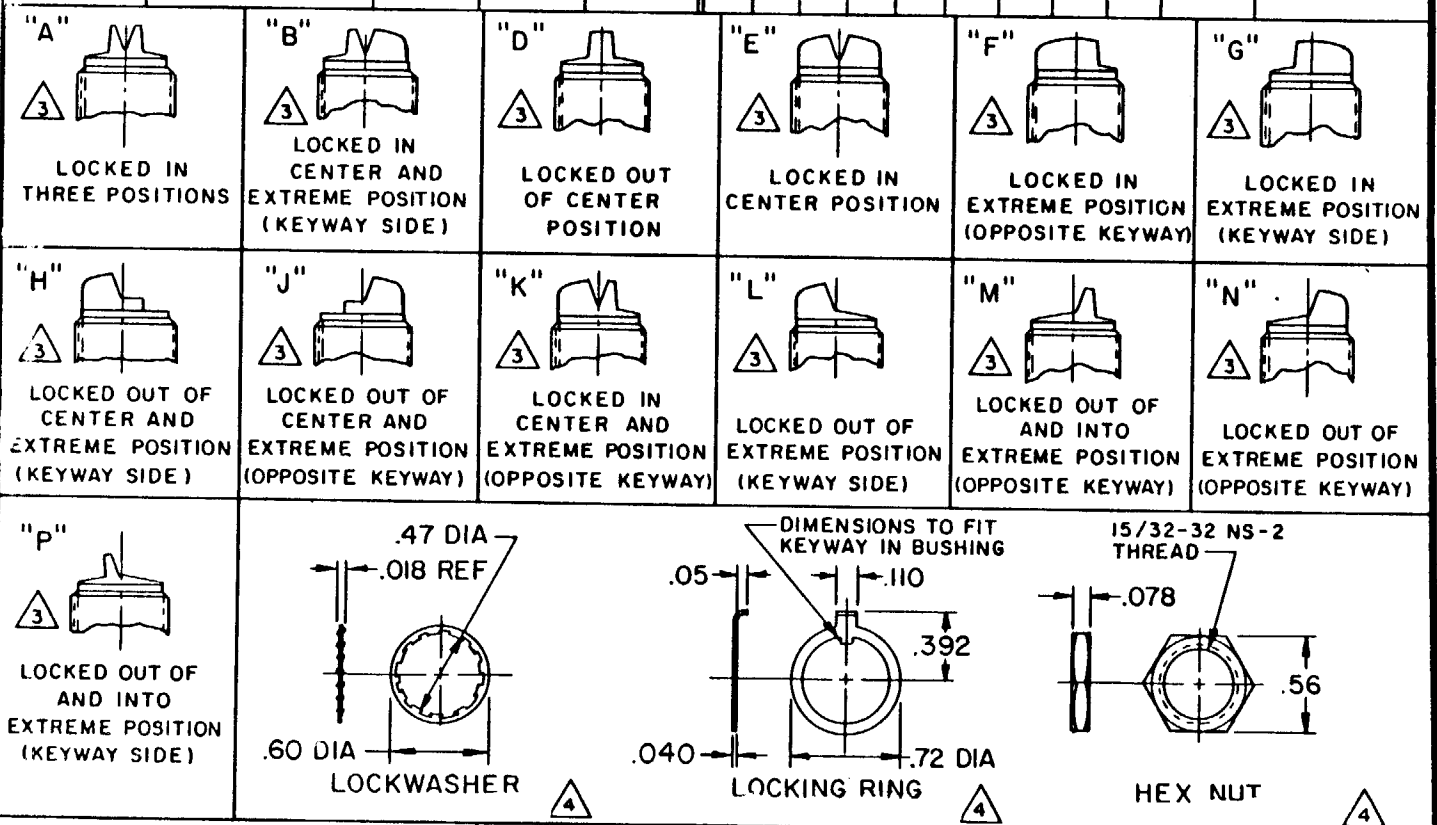
THIS DRAWING COVERS A PROPRIETARY ITEM AND IS THE PROPERTY OF MICRO SWITCH, A DIVISION OF HONEYWELL. THIS DRAWING IS NOT TO BE COPIED OR USED WITHOUT THE APPROVAL OF MICRO SWITCH.



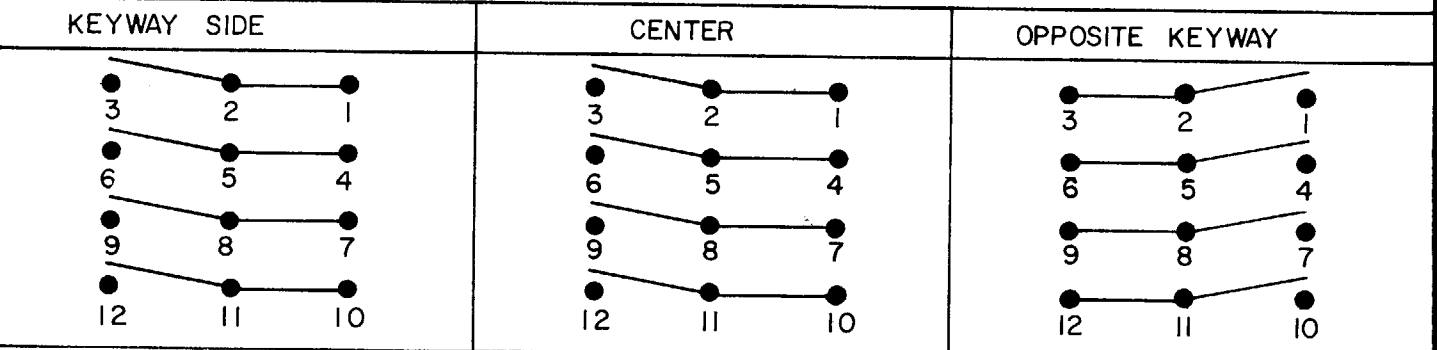
- NOTES-
- SWITCHES ARE CAPABLE OF WITHSTANDING A TEMPERATURE OF 160° F CONTINUOUSLY AT FULL RATED LOAD
 - CIRCUIT DESIGNATION, MICRO SWITCH CATALOG LISTING, DATE CODE AND "MS" NUMBER STAMPED ON SIDES OF SWITCH
 - KEYWAY SHOWN ON LEFT SIDE
 - FURNISHED UNASSEMBLED
 - THESE SWITCHES ARE QUALIFIED UNDER MIL-S-3950
 - SUFFIX LETTER MUST BE ADDED FOR DESIRED TYPE TOGGLE LOCKING
 - SEE CHART FOR AVAILABLE LOCKING COMBINATIONS
 - CIRCUIT DIAGRAMS APPLY ONLY TO "ON" AND "MOM ON" POSITIONS
 - THE SEALING GROMMET SHALL SEAL ON A SMOOTH WIRE INSULATION OF .068 TO .103 DIAMETERS (14-16 GAGE)
 - UNUSED TERMINAL HOLES MAY BE SEALED WITH PLUGS M83723-28-16
 - FROM BOTTOM OF KEYWAY TO MAJOR DIA OF 13/32 THREAD

SCALE FULL
DO NOT SCALE PRINT
UNLESS OTHERWISE NOTED
DIMENSIONS ARE IN INCHES
TOLERANCES ARE
ONE PLACE (.0) ± .030
TWO PLACE (.00) ± .015
THREE PLACE (.000) ± .005
ANGLES ±
WEIGHT

CAT. LIST.	AVAILABLE LOCKING COMBINATIONS FOR CONFIGURATION SEE LETTERED DETAILS	CIRCUIT WITH TOGGLE IN			CURRENT CAPACITY (AMPS)						MS NUMBER			
		EXTREME POSITION KEYWAY SIDE	CENTER	EXTREME POSITION OPPOSITE KEYWAY	RESISTIVE LOAD			LAMP LOAD		INDUCTIVE LOAD		CONTINUOUS		
					DC VOLTS	AC VOLTS	30 VDC	115 VAC	30 VDC				115 VAC	
104TL1-1	A,B,D,E,F,G,H,J,K,L,M,N,P	ON	OFF	ON	30	115	250	115	230	30	115	30	115	27783-21
104TL1-2	D, F, G	OFF	NONE	ON										27783-22
104TL1-3	D, F, G	ON	NONE	ON										27783-23
104TL1-21	E, F, K, M	NONE	OFF	ON	20	75	.5	15	6	5	4	12	15	27783-24
104TL1-31	E, F, K, M	NONE	ON	ON										27783-33
104TL1-4	F	MOM OFF	NONE	ON										27783-29
104TL1-5	E, F, K, L, M, N	MOM ON	OFF	ON										27783-31
104TL1-6	F	MOM ON	NONE	OFF										27783-30
104TL1-7	E, L, N	MOM ON	OFF	MOM ON										27783-27
104TL1-8	F	MOM ON	NONE	ON										27783-26
104TL1-41	F	NONE	MOM OFF	ON	18	75	.5	11	6	4	2	10	8	27783-25
104TL1-51	E	NONE	ON	MOM ON										27783-32
104TL1-61	E	MOM ON	OFF	NONE										27783-28



CIRCUIT DIAGRAM



104TL1 SERIES
CHART 2

M
DRAWING NUMBER
X 8 7
ISSUE

REVISIONS
A C037951
7 J A L
DEC 76
B MADE
ETS
15 MAR 77
C CO
50496
T SK
16 NOV 81
D C056074
6 J W
20 NOV 84
E C057478
T A D
12 JUL 85
F C058981
J A S
1 MAR 86

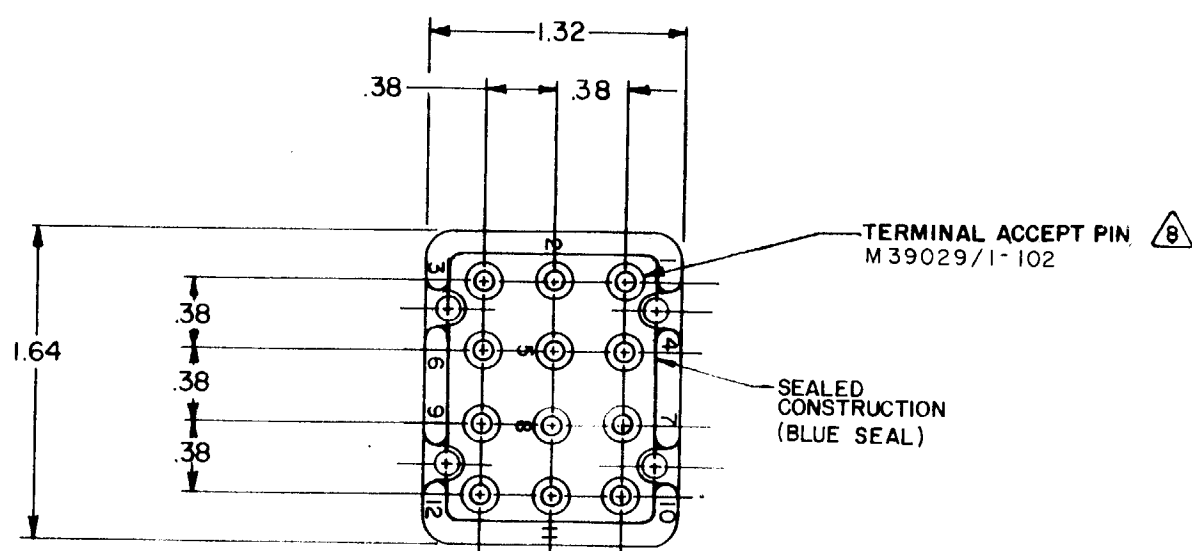
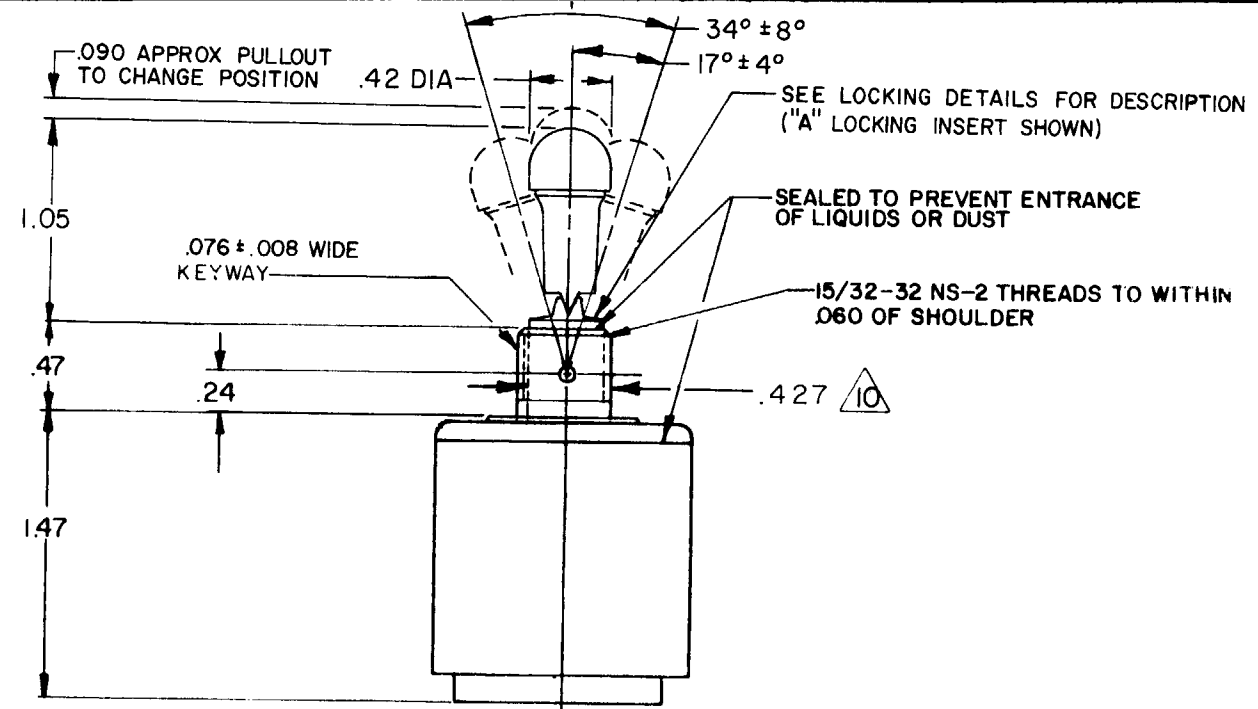
0-50378-2 A
DRAWN
GLH 17 JAN 74

MICRO SWITCH
FREEPORT, ILLINOIS, U.S.A.
A DIVISION OF HONEYWELL
FED. MFG. CODE 91929

SWITCH-TOGGLE

CATALOG LISTING
104TL1 SERIES
CHART 2

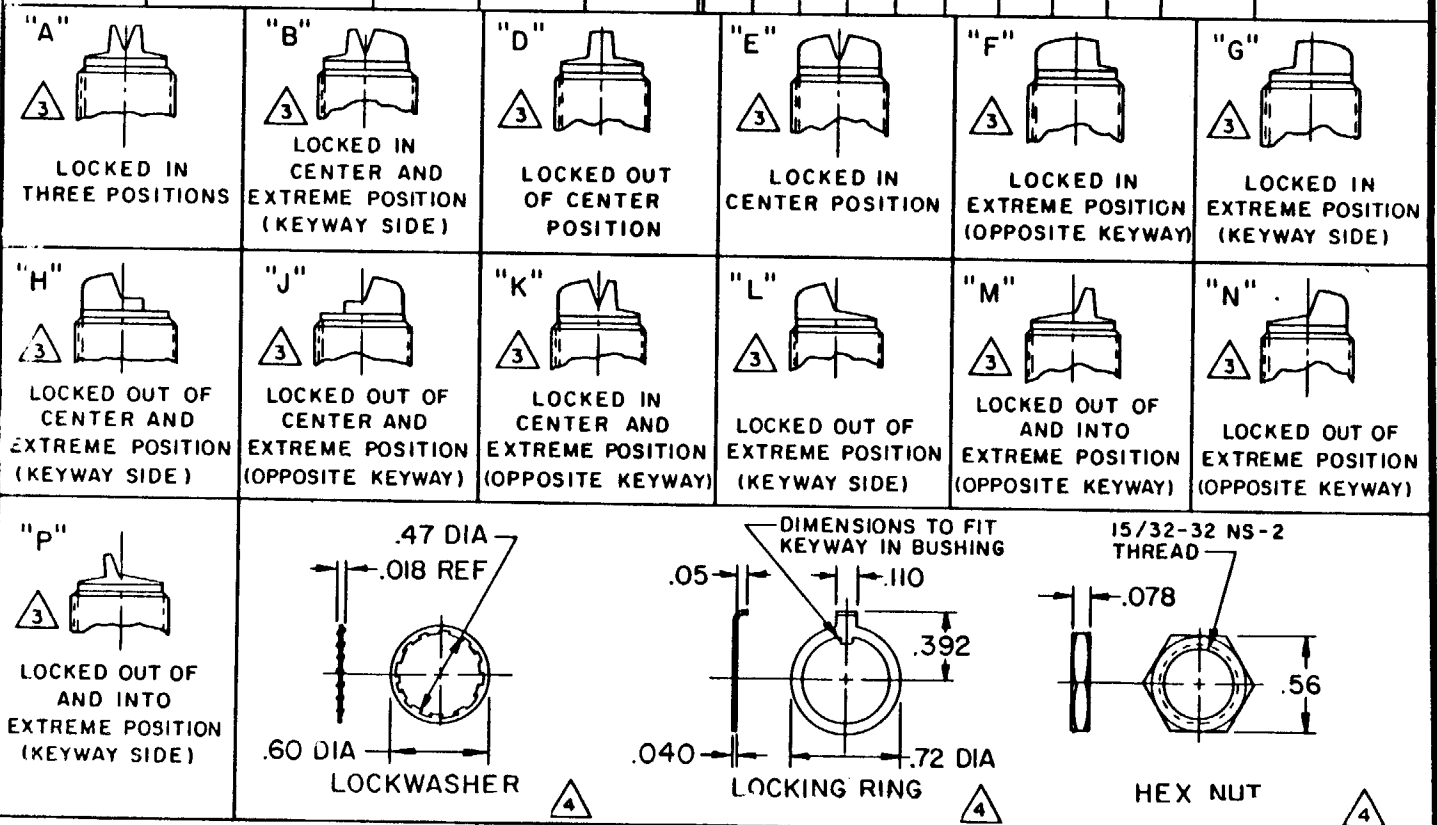
THIS DRAWING COVERS A PROPRIETARY ITEM AND IS THE PROPERTY OF MICRO SWITCH, A DIVISION OF HONEYWELL. THIS DRAWING IS NOT TO BE COPIED OR USED WITHOUT THE APPROVAL OF MICRO SWITCH.



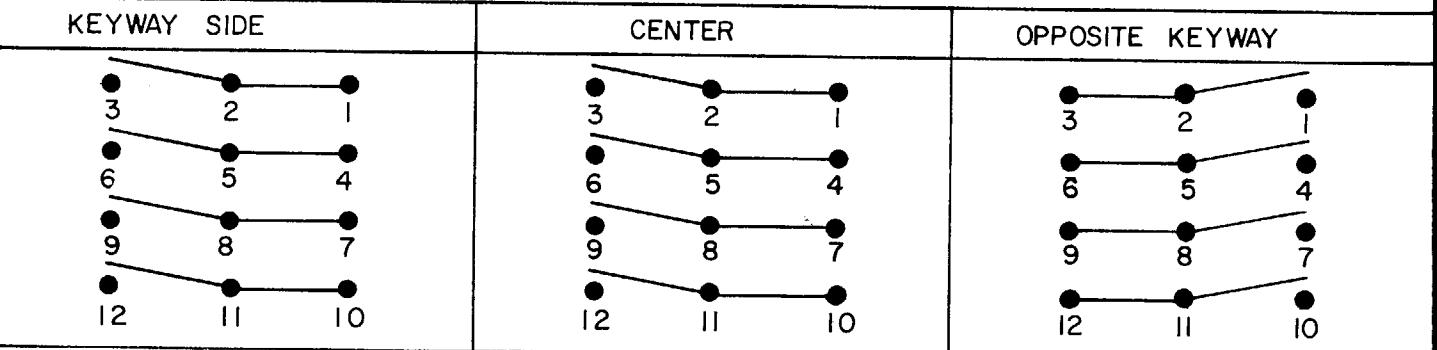
- NOTES-
- SWITCHES ARE CAPABLE OF WITHSTANDING A TEMPERATURE OF 160° F CONTINUOUSLY AT FULL RATED LOAD
 - CIRCUIT DESIGNATION, MICRO SWITCH CATALOG LISTING, DATE CODE AND "MS" NUMBER STAMPED ON SIDES OF SWITCH
 - KEYWAY SHOWN ON LEFT SIDE
 - FURNISHED UNASSEMBLED
 - THESE SWITCHES ARE QUALIFIED UNDER MIL-S-3950
 - SUFFIX LETTER MUST BE ADDED FOR DESIRED TYPE TOGGLE LOCKING
 - SEE CHART FOR AVAILABLE LOCKING COMBINATIONS
 - CIRCUIT DIAGRAMS APPLY ONLY TO "ON" AND "MOM ON" POSITIONS
 - THE SEALING GROMMET SHALL SEAL ON A SMOOTH WIRE INSULATION OF .068 TO .103 DIAMETERS (14-16 GAGE)
 - UNUSED TERMINAL HOLES MAY BE SEALED WITH PLUGS M83723-28-16
 - FROM BOTTOM OF KEYWAY TO MAJOR DIA OF 13/32 THREAD

SCALE FULL
DO NOT SCALE PRINT
UNLESS OTHERWISE NOTED
DIMENSIONS ARE IN INCHES
TOLERANCES ARE
ONE PLACE (.0) ± .030
TWO PLACE (.00) ± .015
THREE PLACE (.000) ± .005
ANGLES ±
WEIGHT

CAT. LIST.	AVAILABLE LOCKING COMBINATIONS FOR CONFIGURATION SEE LETTERED DETAILS	CIRCUIT WITH TOGGLE IN			CURRENT CAPACITY (AMPS)								MS NUMBER		
		EXTREME POSITION KEYWAY SIDE	CENTER	EXTREME POSITION OPPOSITE KEYWAY	RESISTIVE LOAD				LAMP LOAD		INDUCTIVE LOAD			CONTINUOUS	
					DC VOLTS	AC VOLTS	30 VDC	115 VAC	30 VDC	115 VAC					
104TL1-1	A,B,D,E,F,G,H,J,K,L,M,N,P	ON	OFF	ON											27783-21
104TL1-2	D, F, G	OFF	NONE	ON											27783-22
104TL1-3	D, F, G	ON	NONE	ON											27783-23
104TL1-21	E, F, K, M	NONE	OFF	ON	20	.75	.5	15	6	5	4	12	15	27783-24	
104TL1-31	E, F, K, M	NONE	ON	ON											27783-33
104TL1-4	F	MOM OFF	NONE	ON											27783-29
104TL1-5	E, F, K, L, M, N	MOM ON	OFF	ON											27783-31
104TL1-6	F	MOM ON	NONE	OFF											27783-30
104TL1-7	E, L, N	MOM ON	OFF	MOM ON											27783-27
104TL1-8	F	MOM ON	NONE	ON											27783-26
104TL1-41	F	NONE	MOM OFF	ON	18	.75	.5	11	6	4	2	10	8	27783-25	
104TL1-51	E	NONE	ON	MOM ON											27783-32
104TL1-61	E	MOM ON	OFF	NONE											27783-28



CIRCUIT DIAGRAM



Данный компонент на территории Российской Федерации

Вы можете приобрести в компании MosChip.

Для оперативного оформления запроса Вам необходимо перейти по данной ссылке:

<http://moschip.ru/get-element>

Вы можете разместить у нас заказ для любого Вашего проекта, будь то серийное производство или разработка единичного прибора.

В нашем ассортименте представлены ведущие мировые производители активных и пассивных электронных компонентов.

Нашей специализацией является поставка электронной компонентной базы двойного назначения, продукции таких производителей как XILINX, Intel (ex.ALTERA), Vicor, Microchip, Texas Instruments, Analog Devices, Mini-Circuits, Amphenol, Glenair.

Сотрудничество с глобальными дистрибьюторами электронных компонентов, предоставляет возможность заказывать и получать с международных складов практически любой перечень компонентов в оптимальные для Вас сроки.

На всех этапах разработки и производства наши партнеры могут получить квалифицированную поддержку опытных инженеров.

Система менеджмента качества компании отвечает требованиям в соответствии с ГОСТ Р ИСО 9001, ГОСТ РВ 0015-002 и ЭС РД 009

Офис по работе с юридическими лицами:

105318, г.Москва, ул.Щербаковская д.3, офис 1107, 1118, ДЦ «Щербаковский»

Телефон: +7 495 668-12-70 (многоканальный)

Факс: +7 495 668-12-70 (доб.304)

E-mail: info@moschip.ru

Skype отдела продаж:

moschip.ru

moschip.ru_4

moschip.ru_6

moschip.ru_9