

## M3-F Micro-Mechatronic Focus Modules



### Precision lens control; superior image quality

M3-F focus modules add high-resolution lens motion to the smallest OEM cameras. A complete closed-loop motion solution, the M3-F module is no larger than a fixed lens holder and has low power requirements for use in battery-powered devices.

The M3-F module is a single-lens focus solution with minimal external processing requirements, making it simple and cost-effective to integrate focus into your camera system. Precise lens position control (0.5 micron resolution), best-in-class bi-directional repeatability and no hysteresis enable you to capture the sharpest images from your board-mounted camera system.

M3-F modules are designed for long life, with high-performance that is not susceptible to temperature or power variations.

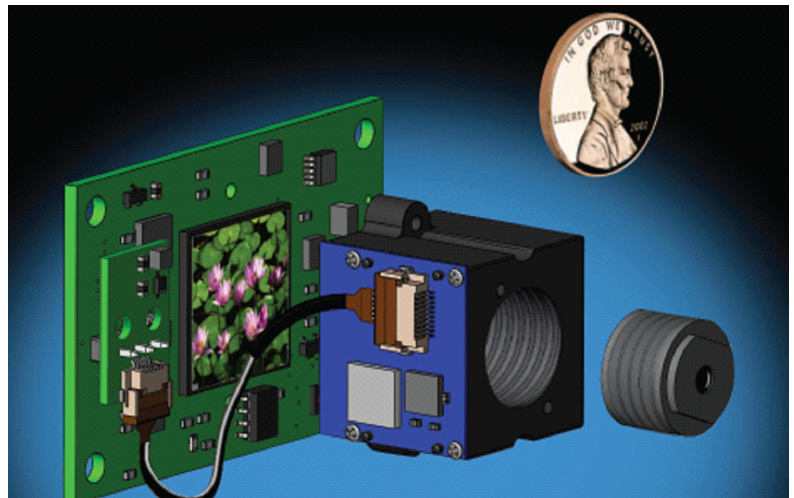
**Figure 1:**  
Features and Applications

Features	Applications
<ul style="list-style-type: none"> <li>• <b>Small:</b> complete, compact system with NO external control board</li> <li>• <b>Superior image quality:</b> no liquid medium, NONE of the attendant issues with transmission, clarity and temperature sensitivity</li> <li>• <b>Low Voltage, low power use:</b> runs on 3.3 V input, holds focus with power off</li> <li>• <b>Simple system integration:</b> accepts high-level commands over standard serial interface (I2C or SPI)</li> <li>• <b>Flexible, production-ready system:</b> compatible with M8 to M12 lenses and standard imager formats (e.g. 1/2" and 1/1.8")</li> <li>• <b>Cost-effective system solution:</b> single-lens system with embedded closed-loop drive circuit for high repeatability with low external processing requirements</li> </ul>	<p><i>Miniature, high-resolution cameras</i></p> <ul style="list-style-type: none"> <li>• Biometric systems</li> <li>• Infrared cameras</li> <li>• Medical</li> <li>• diagnostic and inspection systems</li> <li>• Machine vision</li> <li>• and industrial inspection systems</li> <li>• Conferencing systems</li> <li>• Miniature surveillance cameras, video cameras, computer cameras</li> <li>• Projectors</li> <li>• Targeting systems</li> </ul>

### The M3 micro-mechatronic platform

The M3-F module is built on New Scale's M3 Micro-Mechatronic Module technology platform. The platform provides the smallest, highest resolution and most repeatable closed-loop micro-mechatronic system available – all in an easily integrated, customizable package. The platform includes a patented SQUIGGLE<sup>®</sup> RV piezo micro motor, an NSD-2101 drive ASIC, an NSE-5310 high-resolution magnetic position sensor, and a microprocessor with on-board closed loop control. These combine to create the world's smallest closed-loop linear motion system, with performance comparable to much larger systems.

**Flexibility and Precision: M3-F modules are easily integrated with your camera board and lens. The M3-F is a complete, drop-in focus solution that requires no more space than a fixed lens holder.**



**SQUIGGLE RV motor and driver inside every M3-F module is the world's smallest linear motor system.**

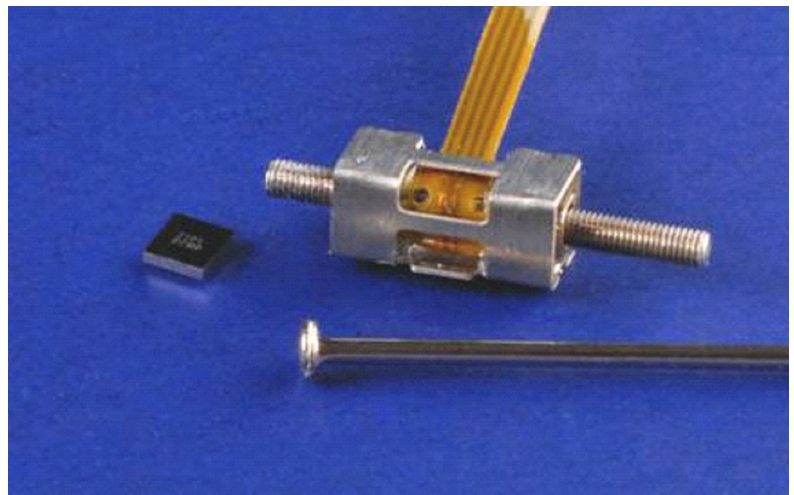


Figure 2:

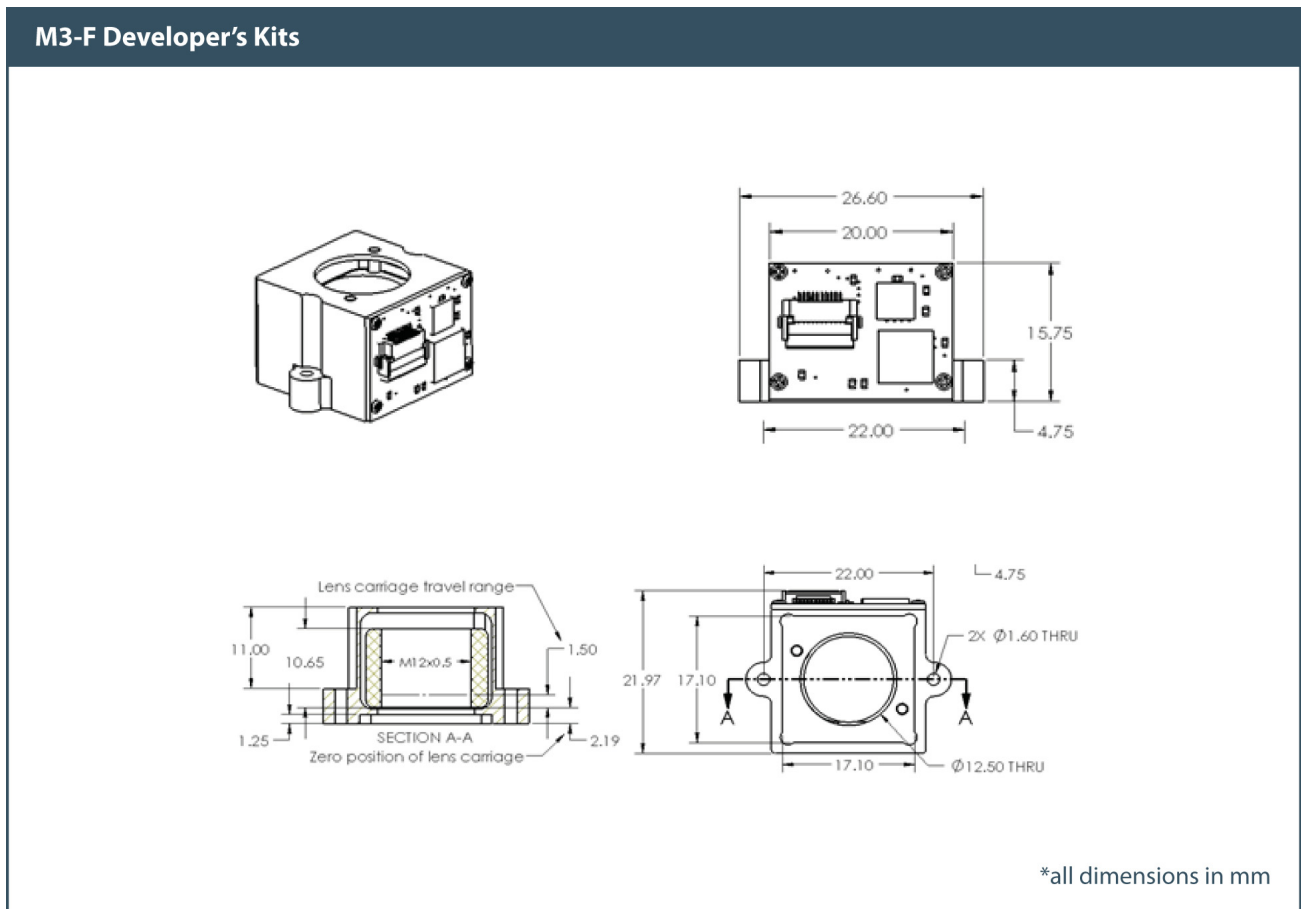


Figure 3:  
M3\_F Module Specifications

M3-F Module Specifications	
<b>Lens Type</b> (Lens not included)	Accepts M12x0.5mm smaller lenses to M8x0.35 with adapter from your lens supplier
Lens Weight *	< 5 grams
Travel Range	Up to 1.5 mm
Housing Dimension	20 x 22 x 16 mm
Max Image Sensor Area (image sensor not included)	17 x 17 x 1.25 mm (including 1/2" and 1/1.8" formats)
Speed	> 5 mm/s
Resolution	0.5 $\mu$ m
Hysteresis	None
Repeatability	Uni-directional: +/- 5 $\mu$ m Bi-directional: +/- 20 $\mu$ m
Linear Accuracy	$\pm$ 30 $\mu$ m

**Figure 3:**  
**M3\_F Module Specifications**

M3-F Module Specifications	
Angular alignment (Static tip/tilt)	<± 1 degree
Angular movement (Dynamic tip/tilt)	<± 0.15 degrees
Static Concentricity	<± 0.25 mm
Dynamic Concentricity	<± 0.02 mm
Input Voltage	3.1 to 3.6 Volts
Input Power **	< 0.5 Watts (5mm/s with 5g mass) < 0.13 Watts quiescent
Temperature /RH ***	5° to 70°C (lower possible) <70% RH non-condensing
Mean Time Before Failure	>2M Cycles (fixed orientation) 500K Cycles (random orientation)
Digital Interface	I <sup>2</sup> C or SPI
Weight of module (without lens)	5.8 grams
Compliance	CE / RoHS

\* Fixed orientation will allow for heavier lens operation

\*\* Power depends on input voltage, speed & load.

\*\*\* Consult the factory for lower temperature requirements.

**Plug-and-Play New Scale Pathway Software and Flex Cable (Detachable)**



## Reference Information

See [www.newscaletech.com/application\\_notes.html](http://www.newscaletech.com/application_notes.html)

- *Checking Optical and Imager Geometry in DK-M3-F* (design note). Lens recommendations, guidelines for image sensor and lens compatibility with the M3-F Developer's Kit module.
- *M3-F focus module in camera system design* (application note). Includes module details as well as repeatability and other performance considerations.

## Order a Developer's Kit

Order online from Digi-Key at

<http://www.digikey.com/product-detail/en/DK-M3F-1.8-TRK-1.5-S/DK-M3F-1.8-TRK-1.5-S-ND/2563770>.

**Figure 4:**  
**Model Number and Description**

Model Number	Description
DK-M3F-1.8-TRK-1.5-S	M3-F Developer's Kit including M3-F module, USB adapter (SPI), connecting cable and New Scale Pathway software.

## Application-Specific Solutions

ams/New Scale can quickly create a customized focus module to meet your more exact OEM specifications including longer travel, custom lens interface, mounting requirements and unique environmental considerations. Use the custom specification worksheet at [http://www.newscaletech.com/contact\\_AF-RFP.aspx](http://www.newscaletech.com/contact_AF-RFP.aspx)

## Данный компонент на территории Российской Федерации

### Вы можете приобрести в компании MosChip.

Для оперативного оформления запроса Вам необходимо перейти по данной ссылке:

<http://moschip.ru/get-element>

Вы можете разместить у нас заказ для любого Вашего проекта, будь то серийное производство или разработка единичного прибора.

В нашем ассортименте представлены ведущие мировые производители активных и пассивных электронных компонентов.

Нашей специализацией является поставка электронной компонентной базы двойного назначения, продукции таких производителей как XILINX, Intel (ex.ALTERA), Vicor, Microchip, Texas Instruments, Analog Devices, Mini-Circuits, Amphenol, Glenair.

Сотрудничество с глобальными дистрибьюторами электронных компонентов, предоставляет возможность заказывать и получать с международных складов практически любой перечень компонентов в оптимальные для Вас сроки.

На всех этапах разработки и производства наши партнеры могут получить квалифицированную поддержку опытных инженеров.

Система менеджмента качества компании отвечает требованиям в соответствии с ГОСТ Р ИСО 9001, ГОСТ РВ 0015-002 и ЭС РД 009

### Офис по работе с юридическими лицами:

105318, г.Москва, ул.Щербаковская д.3, офис 1107, 1118, ДЦ «Щербаковский»

Телефон: +7 495 668-12-70 (многоканальный)

Факс: +7 495 668-12-70 (доб.304)

E-mail: [info@moschip.ru](mailto:info@moschip.ru)

Skype отдела продаж:

moschip.ru

moschip.ru\_4

moschip.ru\_6

moschip.ru\_9