

SERIES 60C

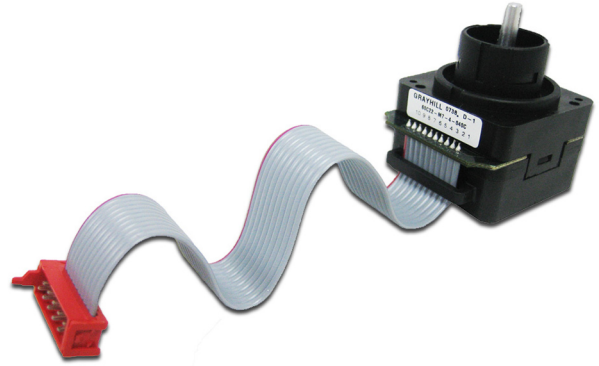
Multi-Function Joystick

FEATURES

- Three-in-One Joystick, Optical Encoder and Pushbutton
- Compact Packaging
- Choices of Cable Length and Termination
- Customized Solutions Available

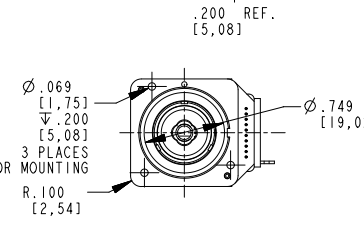
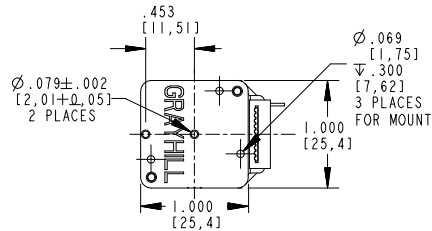
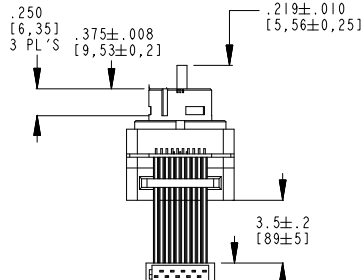
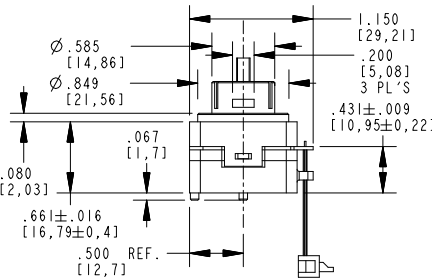
APPLICATIONS

- Avionics
- Medical Equipment
- Automotive Navigation, Information & Entertainment Equipment

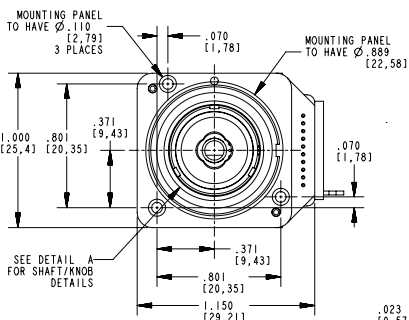


DIMENSIONS in inches (and millimeters)

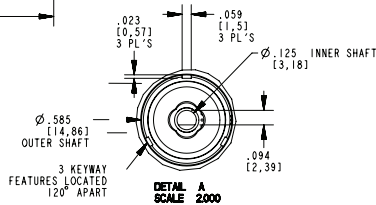
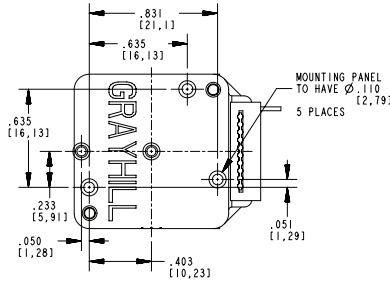
Unless otherwise specified, standard tolerance are:
 Linear ± .025
 Diameter ± .010
 Angle ± 2.0°



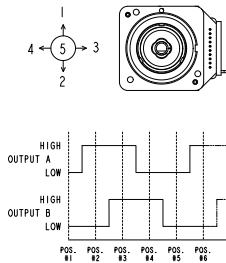
FRONT MOUNTING



REAR MOUNTING



JOYSTICK OPERATION ENCODER WAVEFORM



TRUTH TABLE Standard Quadrature 2-Bit Code

○ INDICATES LOGIC HIGH
 ○ INDICATES LOGIC LOW

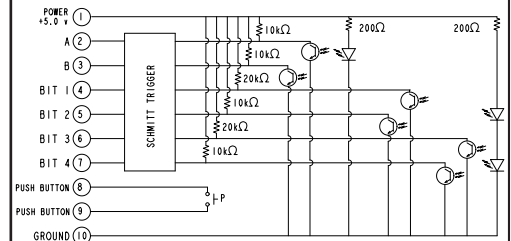
JOYSTICK

| POSITION | BIT 1 | BIT 2 | BIT 3 | BIT 4 |
|----------|-------|-------|-------|-------|
| 1 | ○ | ○ | ○ | ○ |
| 2 | ○ | ○ | ○ | ○ |
| 3 | ○ | ○ | ○ | ○ |
| 4 | ○ | ○ | ○ | ○ |
| 5 | ○ | ○ | ○ | ○ |

ENCODER

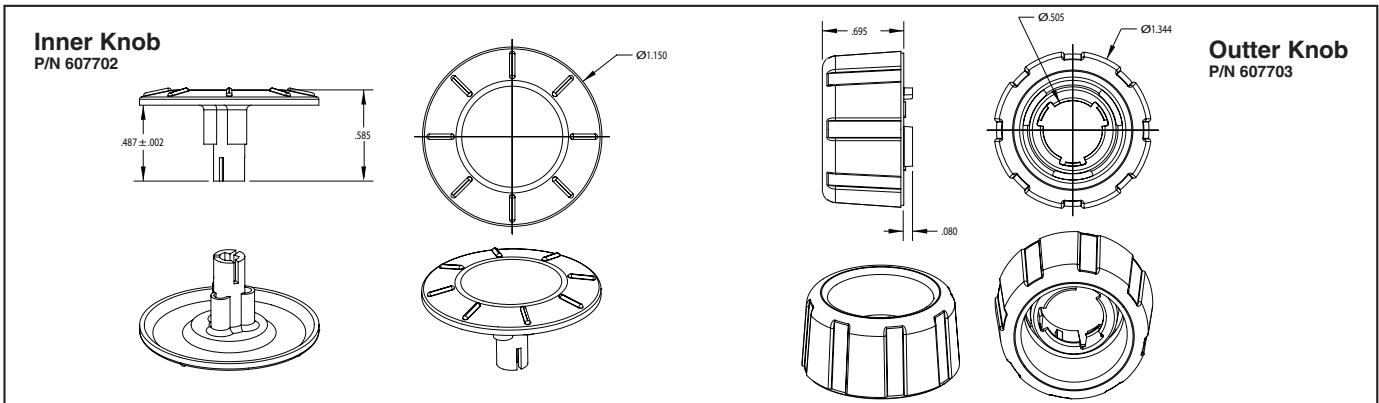
| POSITION | OUTPUT A | OUTPUT B |
|----------|----------|----------|
| #1 | ○ | ○ |
| #2 | ○ | ○ |
| #3 | ○ | ○ |
| #4 | ○ | ○ |

SWITCH SCHEMATIC



Optical and Mechanical Encoders

CONTROL KNOBS



SPECIFICATIONS

Rotary

Electrical and Mechanical Ratings

Operating Voltage: 5.00 ± 0.25 Vdc**Supply Current:** 35mA TYP at 5 Vdc**Power Consumption:** 175mW TYP at 5Vdc**Output:** Direct output from inverting Schmitt trigger**Output Code:** 2-Bit quadrature, channel A leads channel B by 90° in cw rotation**Logic Output Characteristics:**

High: No less than 3.5 Vdc

Low: No greater than 1.0 Vdc

Mechanical Life: 500K rotational cycles (through all positions and a full return)**Rotational Torque:** medium torque option 3.00±2.00 in-oz, torque shall be within 50% of initial value throughout life**Mounting Torque:** 15 in-lbs. maximum**Shaft Push/Pull Out Force:** 25 lbs minimum**Terminal Strength:** 15 lbs terminal minimum

Joystick

Electrical and Mechanical Ratings

Operating Voltage: 5.00 ± 0.25 Vdc**Supply Current:** 35mA at TYP at 5 Vdc**Power Consumption:** 175mW TYP at 5Vdc**Output:** Direct output from inverting Schmitt trigger**Logic Output Characteristics:**

High: No less than 3.5 Vdc

Low: No greater than 1.0 Vdc

Mechanical Life: 500K cycles

(through all positions and a full return)

Angle of Throw: 8° max. in all directions

Pushbutton

Electrical and Mechanical Ratings

Rating: 10 mA at 5 Vdc resistive**Contact Resistance:** less than 10 ohms**Contact Bounce:** < 4ms make, 10 ms break**Mechanical Life:** 500K actuations minimum**Actuation Force:** option 7 = 485 ± 115grams**Pushbutton Travel:** 0.033 ± 0.015 inches to contact; 0.075 inches maximum

Environmental Ratings

Operating Temperature Range: -40°C to 85°C**Storage Temperature Range:** -55°C to 100°C**Relative Humidity:** 96 hours at 90-95% humidity at 40°C**Vibration:** Harmonic motion with amplitude of 15g, within a varied 10 to 2000 Hz**Mechanical Shock:**

Test 1: 100g for 6ms half-sine wave with a velocity change of 12.3 ft/s

Test 2: 100g for 6ms sawtooth wave with a velocity change of 9.7 ft/s

Thermocycle: 4 hours cycling between -40°C to 85°C

Materials and Finishes

Bushing: Thermoplastic**Shaft Outer:** Thermoplastic**Upper Housing:** Thermoplastic**Pushbutton Rocker:** Thermoplastic**Pushbutton Actuator:** Thermoplastic**Inner Shaft Slide:** Thermoplastic**Slider Plate:** Thermoplastic**Backplate:** Thermoplastic**Lightpipe, Joystick:** Thermoplastic**Lightpipe, 16 pos:** Thermoplastic**Centering Profile:** Thermoplastic**Shaft Inner:** Aluminum**Pins:** Stainless steel**Barbed Rivet:** Stainless steel**Detent Balls:** Carbon steel 100 with nickel finish**Centering Balls:** Carbon steel 100 with nickel finish**Detent Springs:** Tinned music wire**Centering Springs:** Tinned music wire**Cable ASM:** .050 round conductor flat cable, PVC coated. Conductors are stranded, top-coated wire**Solder:** 95.5% SN, 4% AG, 0.5% CU**Dome:** Stainless steel**PCB 16 Pos:** NEMA grade FR-4. Plating is gold or palladium over nickel**Infrared Emitter:** Gallium aluminum arsenide**Phototransistor:** Planar silicon**Resistor:** Carbon film**Schmitt Trigger:** RoHS Compliant TSSOP, 14 pin**Lubricating Grease:** Nyogel 774L**Label:** TT406 Thermal transfer cast film

OPTIONS

Contact Grayhill for custom terminations, rotational torque, number of positions, shaft configurations, and resolutions. Control knobs are also available.

ORDERING INFORMATION

**Series****Angle of Throw:** 22= 22.5° or 16 positions**Rotation Torque:** M= Medium torque**Pushbutton:** 7= 485 grams**Joystick:** 4= Four directions**Termination:** 0.050" center ribbon cable with; C= Connector*; S= 0.1" stripped end**Cable Length:** 025 thru 250 in 1/2 inch increments, 060= 6.0 inch cable

* AMP p/n 1-215083-0. Mating connector is p/n 1-215079-0 for thru-hole or p/n 1-188275-0 for surface mount.

Available from your local Grayhill Distributor. For prices and discounts, contact a local sales office, an authorized distributor, or Grayhill.

Данный компонент на территории Российской Федерации

Вы можете приобрести в компании MosChip.

Для оперативного оформления запроса Вам необходимо перейти по данной ссылке:

<http://moschip.ru/get-element>

Вы можете разместить у нас заказ для любого Вашего проекта, будь то серийное производство или разработка единичного прибора.

В нашем ассортименте представлены ведущие мировые производители активных и пассивных электронных компонентов.

Нашей специализацией является поставка электронной компонентной базы двойного назначения, продукции таких производителей как XILINX, Intel (ex.ALTERA), Vicor, Microchip, Texas Instruments, Analog Devices, Mini-Circuits, Amphenol, Glenair.

Сотрудничество с глобальными дистрибьюторами электронных компонентов, предоставляет возможность заказывать и получать с международных складов практически любой перечень компонентов в оптимальные для Вас сроки.

На всех этапах разработки и производства наши партнеры могут получить квалифицированную поддержку опытных инженеров.

Система менеджмента качества компании отвечает требованиям в соответствии с ГОСТ Р ИСО 9001, ГОСТ РВ 0015-002 и ЭС РД 009

Офис по работе с юридическими лицами:

105318, г.Москва, ул.Щербаковская д.3, офис 1107, 1118, ДЦ «Щербаковский»

Телефон: +7 495 668-12-70 (многоканальный)

Факс: +7 495 668-12-70 (доб.304)

E-mail: info@moschip.ru

Skype отдела продаж:

moschip.ru

moschip.ru_4

moschip.ru_6

moschip.ru_9