

Features

- 27 mm (1-1/16 ") diameter, single-turn wirewound
- Bushing mount
- Gangable to 8 cups
- Outstanding vibration and shock performance
- Shaft supported front and rear by precision sleeve bearings



Model 3435 is obsolete. Models 6657, 6574 and 6674 are preferred.

- High temperature, moisture resistant, thermosetting plastic housing
- Non-standard features and specifications available

3435 - Precision Potentiometer

Electrical Characteristics¹

| | |
|---|---------------------------------------|
| Standard Resistance Range..... | 50 to 20 K ohms |
| Total Resistance Tolerance..... | ±3 % |
| Independent Linearity..... | ±0.5 % |
| Effective Electrical Angle..... | 350 ° ±2 ° |
| Noise..... | 100 ohms ENR maximum |
| Absolute Minimum Resistance..... | 1 ohm or 0.1 % (whichever is greater) |
| Dielectric Withstanding Voltage Sea Level..... | 1,000 VAC minimum |
| Power Rating | |
| +70 °C..... | 1.5 watts |
| +125 °C..... | .0 watt |
| Insulation Resistance (500 VDC)..... | 1,000 megohms minimum |
| Resolution..... | See ordering information |

Environmental Characteristics¹

| | |
|---|------------------------------|
| Operating Temperature Range..... | +1 °C to 125 °C |
| Storage Temperature Range..... | -65 °C to +125 °C |
| Temperature Coefficient Over Storage Temperature Range ² | ±20 ppm/°C max. |
| Vibration (MIL-R-12934)..... | 15 G |
| Wiper Bounce..... | 0.1 millisecond maximum |
| Total Resistance Shift..... | ±5 % maximum |
| Voltage Ratio Shift..... | ±1 % maximum |
| Shock (MIL-R-12934)..... | 50 G |
| Wiper Bounce..... | 0.1 millisecond maximum |
| Total Resistance Shift..... | ±5 % maximum |
| Voltage Ratio Shift..... | ±1 % maximum |
| Load Life..... | 1,000 hours |
| Total Resistance Shift..... | 2.0 % maximum |
| Rotational Life (No Load)..... | 1,000,000 shaft revolutions |
| Total Resistance Shift..... | ±5 % maximum |
| Moisture Resistance (MIL-STD-202, Method 106)..... | |
| Total Resistance Shift..... | ±5 % maximum |
| Humidity..... | MIL-R-12934 humidity cycling |
| Total Resistance Shift..... | ±5 % maximum |
| IP Rating..... | IP 40 |

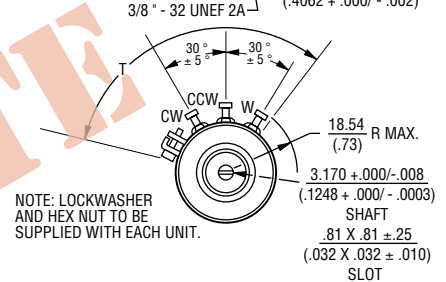
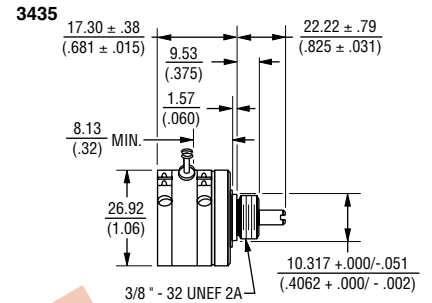
Mechanical Characteristics¹

| | |
|--|---|
| Mechanical Angle..... | Continuous |
| Torque | |
| Starting..... | 0.18 N-cm (0.25 oz.-in.) maximum |
| Running..... | 0.18 N-cm (0.25 oz.-in.) maximum |
| Additional Cups..... | Add 75 % each |
| Mounting..... | 170-200 N-cm (15-18 lb.-in.) maximum |
| Shaft Runout..... | 0.025 mm (0.001 in.) T.I.R. |
| Shaft End Play..... | 0.08 mm (0.003 in.) T.I.R. |
| Shaft Radial Play..... | 0.08 mm (0.003 in.) T.I.R. |
| Backlash..... | 0.25 ° maximum |
| Weight..... | Approximately 23 gm |
| Terminals..... | Gold-plated turret type |
| Soldering Condition | |
| Manual Soldering..... | 96.5Sn/3.0Ag/0.5Cu solid wire or no-clean rosin cored wire 370 °C (700 °F) max. for 3 seconds |
| Wave Soldering..... | 96.5Sn/3.0Ag/0.5Cu solder with no-clean flux 260 °C (500 °F) max. for 5 seconds |
| Wash processes..... | Not recommended |
| Marking..... | Manufacturer's name and part number, resistance value and tolerance, linearity tolerance, wiring diagram, date code |
| Ganging (Multiple Section Potentiometers)..... | 8 cups maximum |
| Hardware..... | One lockwasher (H-37-2) and one mounting nut (H-38-2) is shipped with each potentiometer. |

¹At room ambient: +25 °C nominal and 50 % relative humidity nominal, except as noted.

²Consult manufacturer for complete specification details.

Product Dimensions

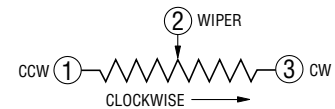


TOLERANCES: EXCEPT WHERE NOTED

DECIMALS: XX ± .51 (.020), .XXX ± .13 (.005)

FRACTIONS: ±1/64

DIMENSIONS: MM (IN.)



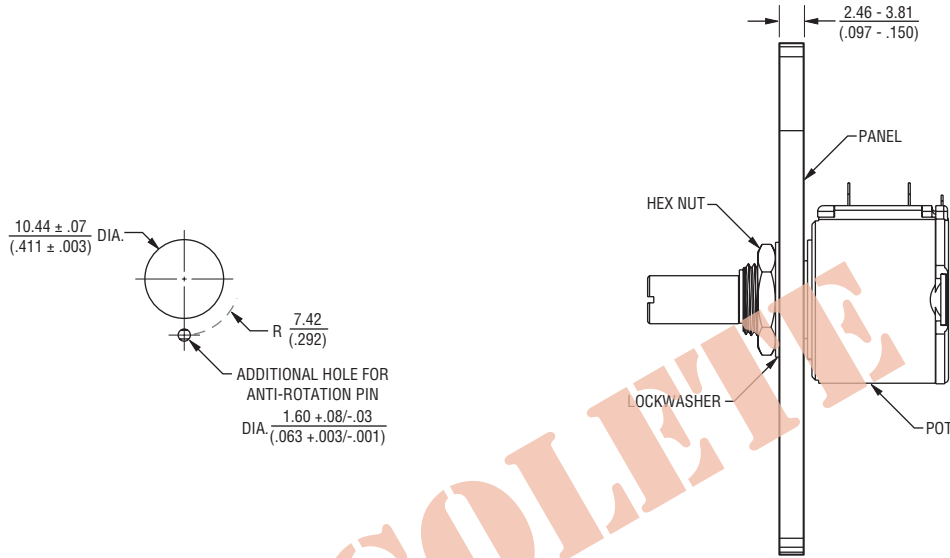
Recommended Part Numbers

| Part Number | Resistance (Ω) | Resolution (%) |
|-------------|----------------|----------------|
| 3435S-1-102 | 1,000 | .208 |
| 3435S-1-202 | 2,000 | .178 |
| 3435S-1-502 | 5,000 | .135 |
| 3435S-1-103 | 10,000 | .107 |
| 3435S-1-503 | 50,000 | .057 |

3435 - Precision Potentiometer

BOURNS®

Panel Thickness Dimensions



Anti-rotation pin hole is shown at six o'clock position for reference only. The actual location is determined by the customer's application. Refer to the front view of the potentiometer to see the location of the optional A/R pin.

Panel thickness and hole diameters are recommended for best fit. However, customers may adjust the dimensions to suit their specific application.

DIMENSIONS: $\frac{\text{MM}}{\text{(INCHES)}}$ TOLERANCES: $\pm \frac{0.127}{(.005)}$

REV. 03/12

Specifications are subject to change without notice.
Customers should verify actual device performance in their specific applications

Данный компонент на территории Российской Федерации

Вы можете приобрести в компании MosChip.

Для оперативного оформления запроса Вам необходимо перейти по данной ссылке:

<http://moschip.ru/get-element>

Вы можете разместить у нас заказ для любого Вашего проекта, будь то серийное производство или разработка единичного прибора.

В нашем ассортименте представлены ведущие мировые производители активных и пассивных электронных компонентов.

Нашей специализацией является поставка электронной компонентной базы двойного назначения, продукции таких производителей как XILINX, Intel (ex.ALTERA), Vicor, Microchip, Texas Instruments, Analog Devices, Mini-Circuits, Amphenol, Glenair.

Сотрудничество с глобальными дистрибьюторами электронных компонентов, предоставляет возможность заказывать и получать с международных складов практически любой перечень компонентов в оптимальные для Вас сроки.

На всех этапах разработки и производства наши партнеры могут получить квалифицированную поддержку опытных инженеров.

Система менеджмента качества компании отвечает требованиям в соответствии с ГОСТ Р ИСО 9001, ГОСТ РВ 0015-002 и ЭС РД 009

Офис по работе с юридическими лицами:

105318, г.Москва, ул.Щербаковская д.3, офис 1107, 1118, ДЦ «Щербаковский»

Телефон: +7 495 668-12-70 (многоканальный)

Факс: +7 495 668-12-70 (доб.304)

E-mail: info@moschip.ru

Skype отдела продаж:

moschip.ru

moschip.ru_4

moschip.ru_6

moschip.ru_9