

PLEASE CHECK WWW.MOLEX.COM FOR LATEST PART INFORMATION

Part Number: [5033980891](#)
Status: **Active**
Description: 1.10mm (.043") Pitch microSD Memory Card Connector, Normal Mount SMT, Push-Push Type, 1.28mm (.050") Height

Documents:

[3D Model](#) [Product Specification PS-503398-001 \(PDF\)](#)
[Drawing \(PDF\)](#) [RoHS Certificate of Compliance \(PDF\)](#)

General

Product Family	Memory Card Sockets
Series	503398
Button Type	Push-Push
Component Type	Header & Ejector (Host)
Product Name	microSD Card
Type	N/A

Physical

Card Detection Switch	Yes
Circuits (Loaded)	8
Color - Resin	Black
Durability (mating cycles max)	10,000
Ejector Button Side	No Ejector Button Present
Entry Angle	90° Angle
Keying to Mating Part	Yes
Material - Metal	Phosphor Bronze, Stainless Steel
Material - Plating Mating	Gold
Material - Plating Termination	Gold, Tin
PCB Locator	No
PCB Mounting Side	Normal
PCB Retention	Yes
Packaging Type	Embossed Tape on Reel
Pitch - Mating Interface (in)	0.043 In
Pitch - Mating Interface (mm)	1.10 mm
Ports	1
Temperature Range - Operating	-25°C to +85°C
Termination Interface: Style	Surface Mount

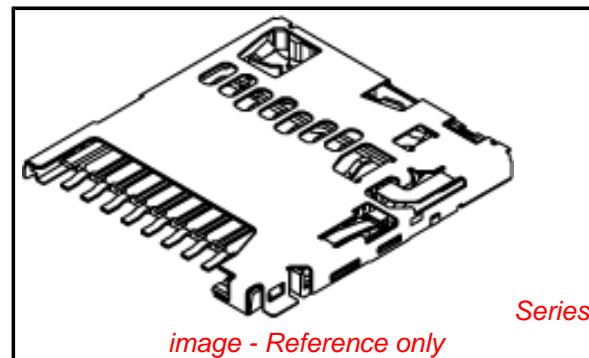
Electrical

Current - Maximum per Contact	0.5A
Shielded	Yes
Voltage - Maximum	10V AC (RMS)/DC

Material Info

Reference - Drawing Numbers

Product Specification	PS-503398-001, RPS-503398-001
Sales Drawing	SD-503398-001, SD-503398-002



EU RoHS

**ELV and RoHS
Compliant**
REACH SVHC
 Not Reviewed
**Halogen-Free
Status**
 Not Reviewed

China RoHS



**Need more information on product
environmental compliance?**

Email productcompliance@molex.com
 For a multiple part number RoHS Certificate of
 Compliance, [click here](#)

Please visit the [Contact Us](#) section for any
 non-product compliance questions.

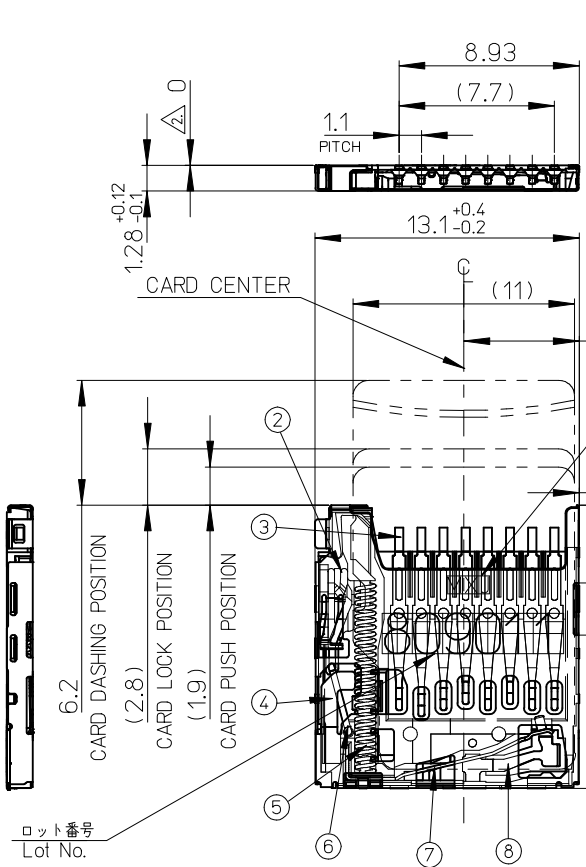
Search Parts in this Series

[503398Series](#)

Use With

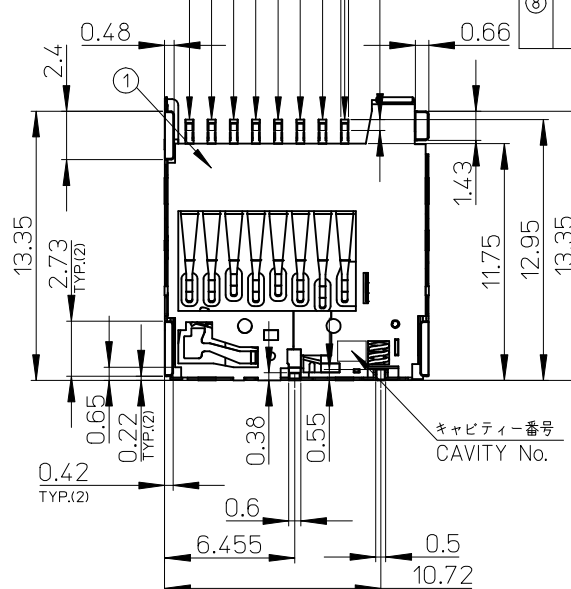
microSD Card

CONFIDENTIAL



- Pin No.1: DAT2
- Pin No.2: CD/DAT3²
- Pin No.3: CMD
- Pin No.4: Vdd
- Pin No.5: CLK
- Pin No.6: Vss
- Pin No.7: DAT0
- Pin No.8: DAT1

社名
COMPANY NAME
(0.48)
(WITHOUT SEAL OF CARD)



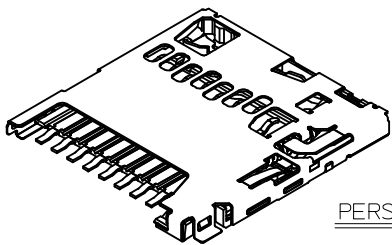
番号 NO.	名称 NAME	材料 MATERIAL	仕上げ (めっき) FINISHES (PLATING)
①	ハウジング HOUSING	液晶ポリマー(LCP)、ガラス充填、UL94 V-0、黒	LIQUID CRYSTAL POLYMER (LCP), GLASS FILLED, UL94 V-0, BLACK
②	カムスライダ CAM SLIDER	液晶ポリマー(LCP)、ガラス充填、UL94 V-0、黒	LIQUID CRYSTAL POLYMER (LCP), GLASS FILLED, UL94 V-0, BLACK
③	ターミナル TERMINAL	燐青銅 PHOSPHOR BRONZE	接触部: 金めっき (0.5µm MIN.) テール部: 錫めっき (2.0µm MIN.) 下地: ニッケルめっき (1.0µm MIN.) CONTACT AREA: GOLD PLATING (0.5 MICROMETER MINIMUM.) SOLDER TAIL AREA: TIN PLATING (2.0 MICROMETER MINIMUM.) UNDERPLATE: NICKEL OVERALL (1.0 MICROMETER MINIMUM.)
④	シェル SHELL	ステンレス鋼 STAINLESS STEEL	下地: ニッケルめっき NAIL AREA: GOLD PLATING UNDERPLATE: NICKEL OVERALL
⑤	スプリング SPRING	ピアノ線 SWP	全面: ニッケルめっき NICKEL OVERALL
⑥	ピン PIN	ステンレス鋼 STAINLESS STEEL	接触部: 金めっき (0.2µm MIN.) 基板実装部: 金めっき
⑦	ディテクトレバー DETECT LEVER	燐青銅 PHOSPHOR BRONZE	下地: ニッケルめっき CONTACT AREA: GOLD PLATING (0.2 MICROMETER MINIMUM.) NAIL AREA: GOLD PLATING UNDERPLATE: NICKEL OVERALL
⑧	ディテクトスイッチ DETECT SWITCH	燐青銅 PHOSPHOR BRONZE	接触部: 金めっき (0.2µm MIN.) 基板実装部: 金めっき 下地: ニッケルめっき CONTACT AREA: GOLD PLATING (0.2 MICROMETER MINIMUM.) NAIL AREA: GOLD PLATING UNDERPLATE: NICKEL OVERALL

NOTES

1. ターミナル及びネイルの平坦度は 0.1 MAX. (測定用定板面を基準)
TERMINAL AND NAIL COPLANARITY TO BE 0.1 MAX.(FROM GAUGE PLANE)
 - △2 スタンドオフ寸法 STAND OFF
 - △3 パターン禁止エリア PATTERN PROHIBITION AREA
 4. カード検知スイッチ DETECT SWITCH
- | | |
|--------------------------------|------------|
| カード挿入時 CARD INSERTING POSITION | クローズ CLOSE |
| カード未挿入時 NO CARD | オープン OPEN |
5. 肉抜き位置は任意とする。CAVITY IS TO BE OPTIONAL.
 6. ロット印字は任意とする。LOT NUMBERING IS TO BE OPTIONAL.
 - △ GND 推奨パターン GND RECOMMENDED PATTERN.
 8. ELV 及び RoHS 適合品 ELV AND RoHS COMPLIANT.
 - △ カード裏挿し誤挿入時、カード突出エリア (他の部品の設置、非推奨範囲)
WHEN A CARD IS MISS-MATED IN THE REVERSE ORIENTATION, PART OF THE CARD PROTRUDES FROM THE SHELL DUE TO THE CARD-MISS MATING PREVENTION FEATURE. THEREFORE, NO COMPONENTS ARE ALLOWED TO BE PLACED IN THIS AREA.

503398-0891	8
EMBOSSD PACKAGE	極数
オーダー番号 ORDER NO.	CIRCUITS
CONNECTOR SERIES No. 503398-0811	

ロット番号 Lot No.
809011
8 : Year(2008)
09: Month(9)
01: Day(1)
1 : Line No.

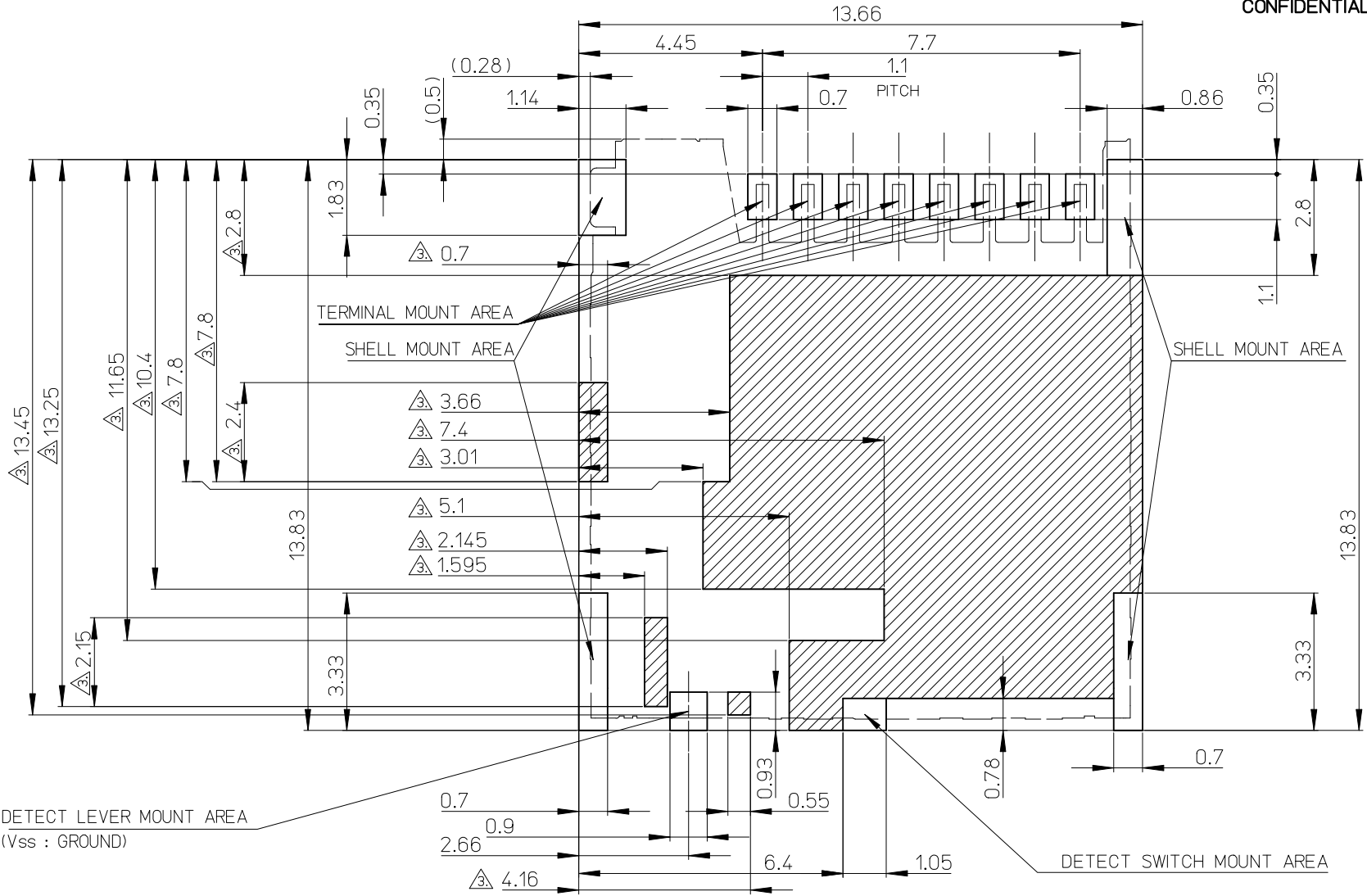


PERSPECTIVE VIEW

PROPOSED EC NO: J22010-00000 DRWN: YMATSUMOTO 2009/09/17 CHKD: MTOMITA 2009/09/17 APPR: NUKITA 2009/09/17	DESCRIPTION REV: 0	GENERAL TOLERANCES (UNLESS SPECIFIED)	DIMENSION STYLE MM ONLY	SCALE 4:1	DESIGN UNITS METRIC	THIRD ANGLE PROJECTION	
		10 UNDER ±0.2 10 OVER 30 UNDER ±0.25 30 OVER ±0.3	DRAWN BY DATE YMATSUMOTO 2009/09/09	TITLE MICRO SD CONN. PUSH/PUSH & NORMAL SUPER-SMALL TYPE			
		ANGULAR ±1 ° DRAFT WHERE APPLICABLE MUST REMAIN WITHIN DIMENSIONS	CHECKED BY DATE MTOMITA 2009/09/09	MOLEX INCORPORATED			
		SEE CHART	APPROVED BY DATE NUKITA 2009/09/09	MATERIAL NO. SD-503398-001	SHEET NO. 1 OF 2		

10 9 8 7 6 5 4 3 2 1

CONFIDENTIAL



パターン禁止エリア
PATTERN PROHIBITION AREA

△ DETECT LEVER MOUNT AREA
(Vss : GROUND)

△ DETECT SWITCH MOUNT AREA

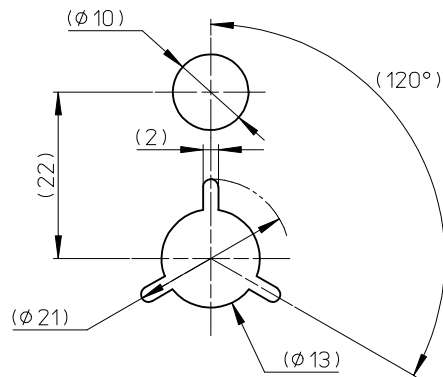
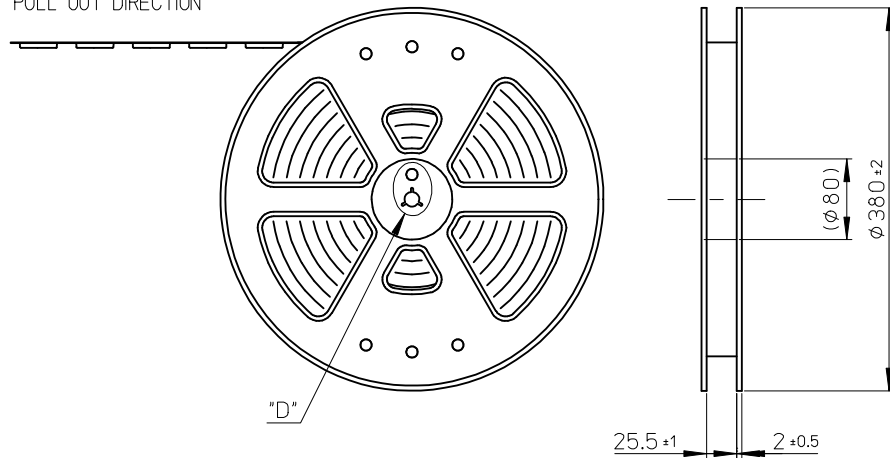
RECOMMENDED
PCB PATTERN LAYOUT
(GENERAL TOLERANCE : ±0.05)

PROPOSED EC NO: JZ010-00399 DRWN: YMATSUMOTO 2009/09/17 CHKD: MTOMITA 2009/09/17 APPR: NUKITA 2009/09/17	GENERAL TOLERANCES (UNLESS SPECIFIED)		DIMENSION STYLE MM ONLY		SCALE 4:1	DESIGN UNITS METRIC	THIRD ANGLE PROJECTION	
	10 UNDER	±0.2	DRAWN BY	DATE	TITLE			
	10 OVER 30 UNDER	±0.25	YMATSUMOTO	2009/09/09	MICRO SD CONN. PUSH/PUSH & NORMAL SUPER-SMALL TYPE			
	30 OVER	±0.3	MTOMITA	2009/09/09				
	ANGULAR ±1 °		APPROVED BY	DATE	MOLEX INCORPORATED			
DRAFT WHERE APPLICABLE MUST REMAIN WITHIN DIMENSIONS		NUKITA	2009/09/09	MATERIAL NO. SEE CHART		DOCUMENT NO. SD-503398-001		SHEET NO. 2 OF 2

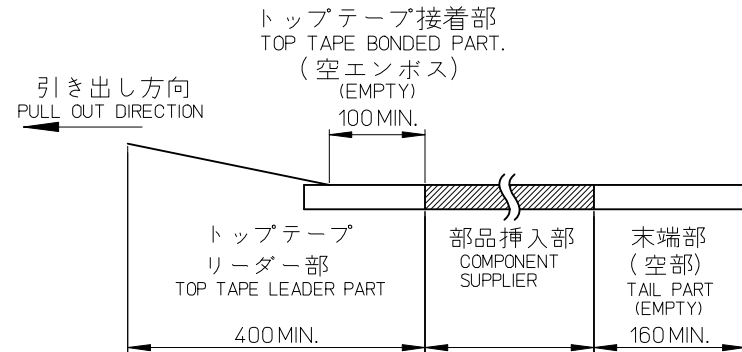
NOTES

1. 製品詳細寸法については、SD 図面を参照下さい。
RE DETAILED DIMENSION, SEE SALES DRAWING.
2. 梱包数量：2400個／リール
NUMBER OF CONNECTORS：2400 PCS/REEL.
3. リードテープ長さ LEAD TAPE LENGTH.

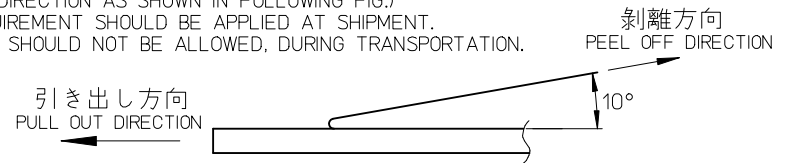
引き出し方向
PULL OUT DIRECTION



DETAIL "D"



4. トップテープの剥離強度：JIS C0806-3に準拠(剥離方向は下図参照)尚、本規格値は出荷時に適用。(但し、輸送時に剥離が発生しないこと。)
PEELING OFF FORCE OF TOP TAPE : BASED UPON JIS C0806-3 (PEELING DIRECTION AS SHOWN IN FOLLOWING FIG.) THIS REQUIREMENT SHOULD BE APPLIED AT SHIPMENT. PEEL OFF SHOULD NOT BE ALLOWED, DURING TRANSPORTATION.

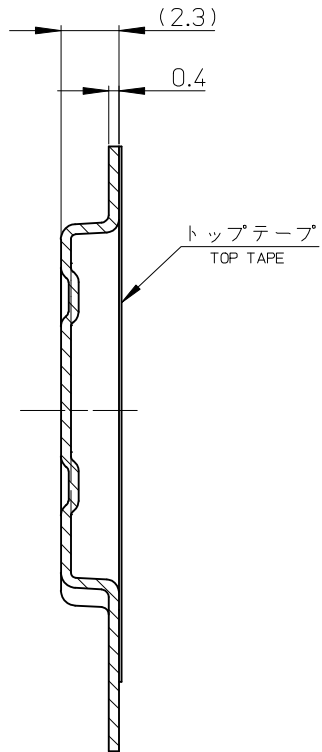


5. 材料 MATERIAL
キャリアテープ (CARRIER TAPE) : ポリスチレン (POLYSTYRENE)
トップテープ (TOP TAPE) : PET, PE, PEF
リール (REEL) : ポリスチレン(PS) <リサイクル材含む>
POLYSTYRENE (PS) <RECYCLE MATERIAL CONTAINED>

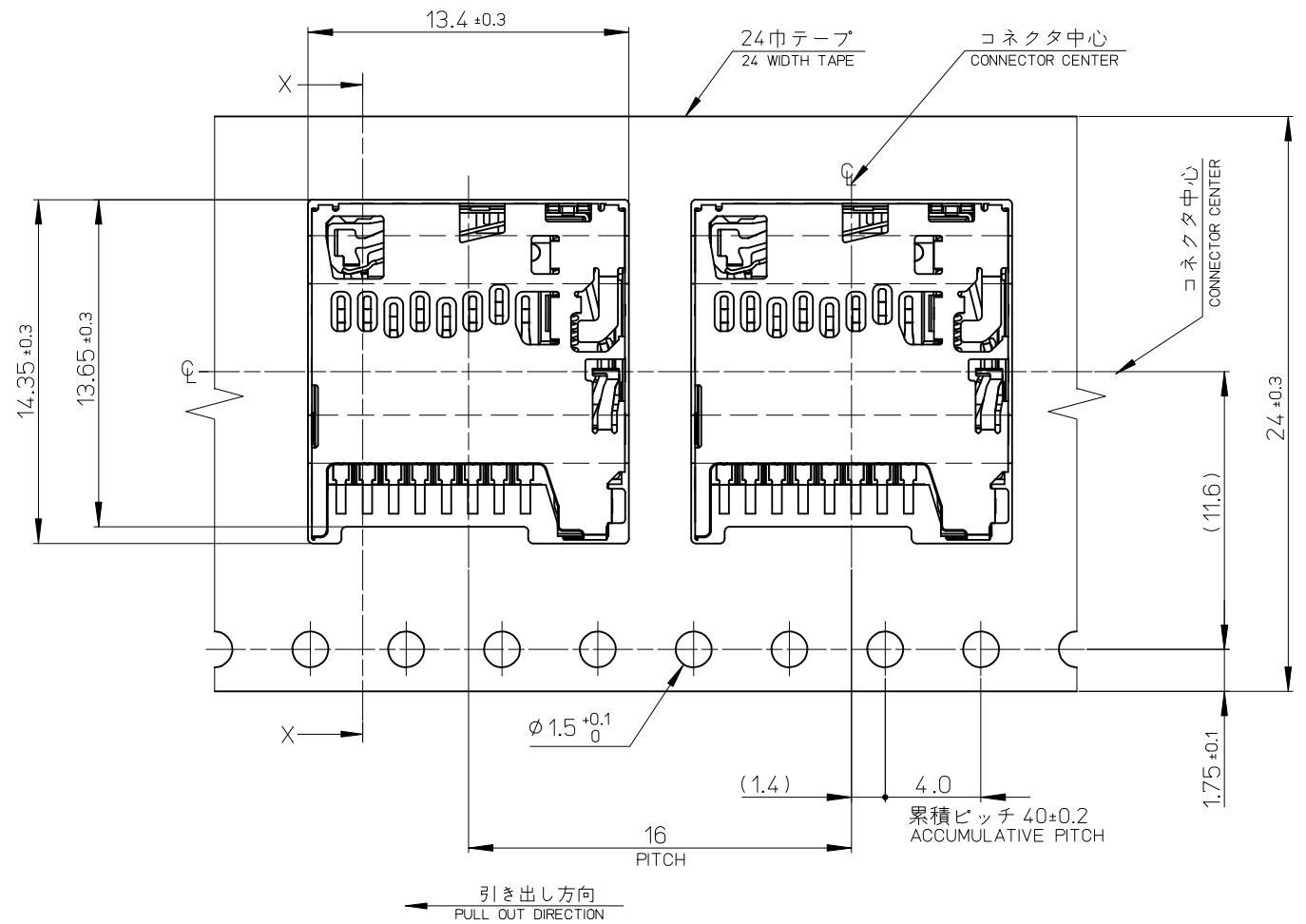
503398-0891	8
EMBOSSED PACKAGE	極数
オーダー番号 ORDER NO.	CIRCUITS
CONNECTOR SERIES No. 503398-0811	

PROPOSED EC NO: J2010-0539 DRWN: YMATSUMOTO 2009/09/17 CHKD: YMATSUMOTO 2009/09/17 APPR: NUKITA 2009/09/17 REV: 0	DESCRIPTION GENERAL TOLERANCES (UNLESS SPECIFIED) DIMENSION STYLE MM ONLY SCALE 4:1 DESIGN UNITS METRIC THIRD ANGLE PROJECTION	10 UNDER ±0.2 10 OVER 30 UNDER ±0.25 30 OVER ±0.3	DRAWN BY YMATSUMOTO DATE 2009/02/02	TITLE EMBOSSED TAPE PACKAGE FOR 503398-08**		
		ANGULAR ±1 ° DRAFT WHERE APPLICABLE MUST REMAIN WITHIN DIMENSIONS	CHECKED BY MTOMITA DATE 2009/02/02	APPROVED BY NUKITA DATE 2009/02/02	MATERIAL NO. SEE CHART SIZE A3	MOLEX INCORPORATED DOCUMENT NO. SD-503398-002 SHEET NO. 1 OF 2
		THIS DRAWING CONTAINS INFORMATION THAT IS PROPRIETARY TO MOLEX INCORPORATED AND SHOULD NOT BE USED WITHOUT WRITTEN PERMISSION				
		EN-02JA(021)				

10 9 8 7 6 5 4 3 2 1



SECTION X-X



PROPOSED EC NO: J2010-03339 DRWN: YMATSUMOTO 2009/09/17 CHKD: YMATSUMOTO 2009/09/17 APPR: NUKITA 2009/09/17	GENERAL TOLERANCES (UNLESS SPECIFIED)		DIMENSION STYLE MM ONLY		SCALE 5:1	DESIGN UNITS METRIC	THIRD ANGLE PROJECTION	
	10 UNDER	± 0.2	DRAWN BY YMATSUMOTO	DATE 2009/02/02	TITLE EMBOSSED TAPE PACKAGE FOR 503398-08**			
	10 OVER 30 UNDER	± 0.25	CHECKED BY MTOMITA	DATE 2009/02/02				
	30 OVER	± 0.3	APPROVED BY NUKITA	DATE 2009/02/02	MOLEX INCORPORATED MATERIAL NO. SEE CHART DOCUMENT NO. SD-503398-002 SHEET NO. 2 OF 2			
	ANGULAR ± 1 °		MATERIAL NO. SEE CHART					
DRAFT WHERE APPLICABLE MUST REMAIN WITHIN DIMENSIONS		THIS DRAWING CONTAINS INFORMATION THAT IS PROPRIETARY TO MOLEX INCORPORATED AND SHOULD NOT BE USED WITHOUT WRITTEN PERMISSION						

Данный компонент на территории Российской Федерации

Вы можете приобрести в компании MosChip.

Для оперативного оформления запроса Вам необходимо перейти по данной ссылке:

<http://moschip.ru/get-element>

Вы можете разместить у нас заказ для любого Вашего проекта, будь то серийное производство или разработка единичного прибора.

В нашем ассортименте представлены ведущие мировые производители активных и пассивных электронных компонентов.

Нашей специализацией является поставка электронной компонентной базы двойного назначения, продукции таких производителей как XILINX, Intel (ex.ALTERA), Vicor, Microchip, Texas Instruments, Analog Devices, Mini-Circuits, Amphenol, Glenair.

Сотрудничество с глобальными дистрибьюторами электронных компонентов, предоставляет возможность заказывать и получать с международных складов практически любой перечень компонентов в оптимальные для Вас сроки.

На всех этапах разработки и производства наши партнеры могут получить квалифицированную поддержку опытных инженеров.

Система менеджмента качества компании отвечает требованиям в соответствии с ГОСТ Р ИСО 9001, ГОСТ РВ 0015-002 и ЭС РД 009

Офис по работе с юридическими лицами:

105318, г.Москва, ул.Щербаковская д.3, офис 1107, 1118, ДЦ «Щербаковский»

Телефон: +7 495 668-12-70 (многоканальный)

Факс: +7 495 668-12-70 (доб.304)

E-mail: info@moschip.ru

Skype отдела продаж:

moschip.ru

moschip.ru_4

moschip.ru_6

moschip.ru_9