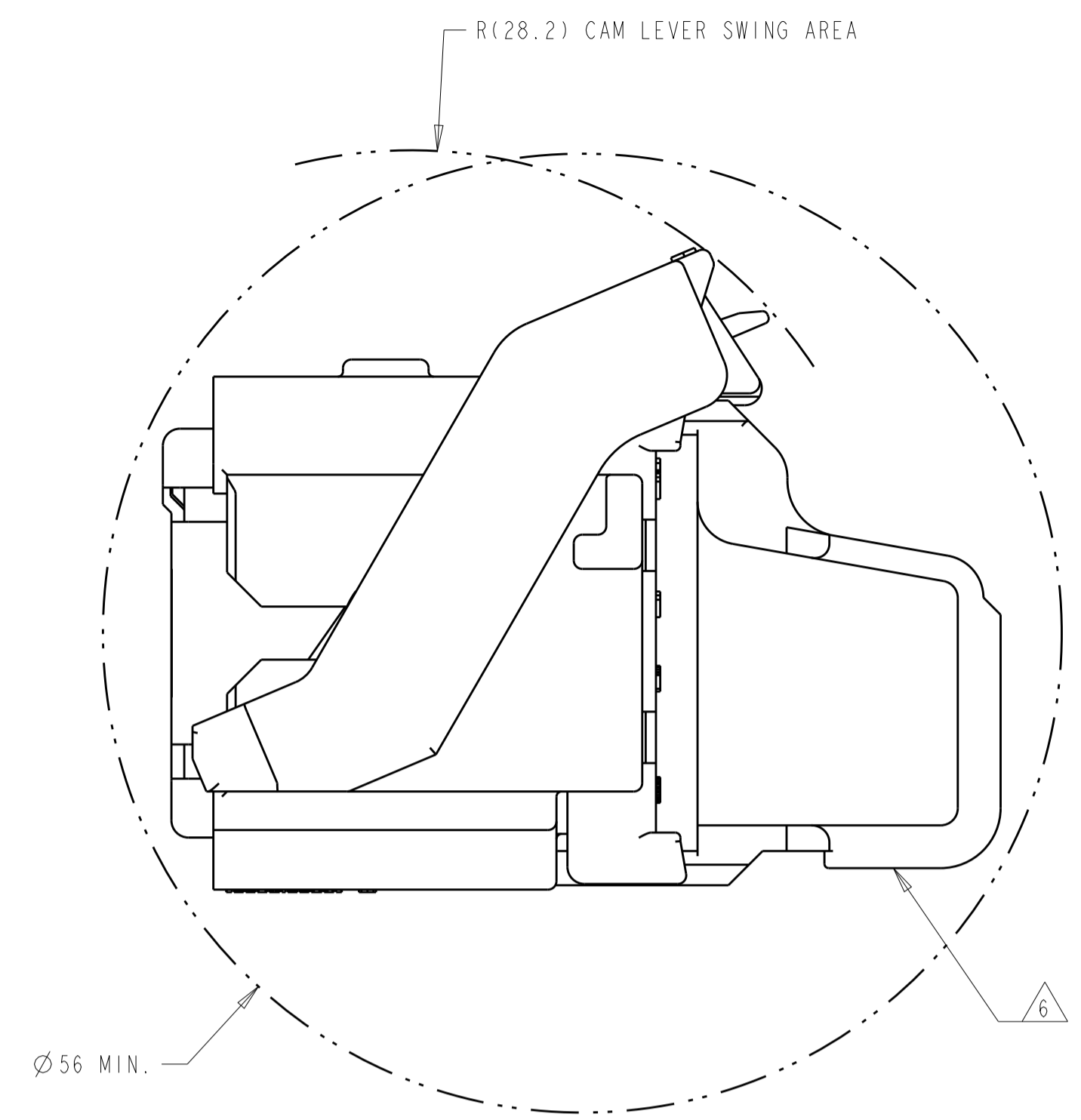
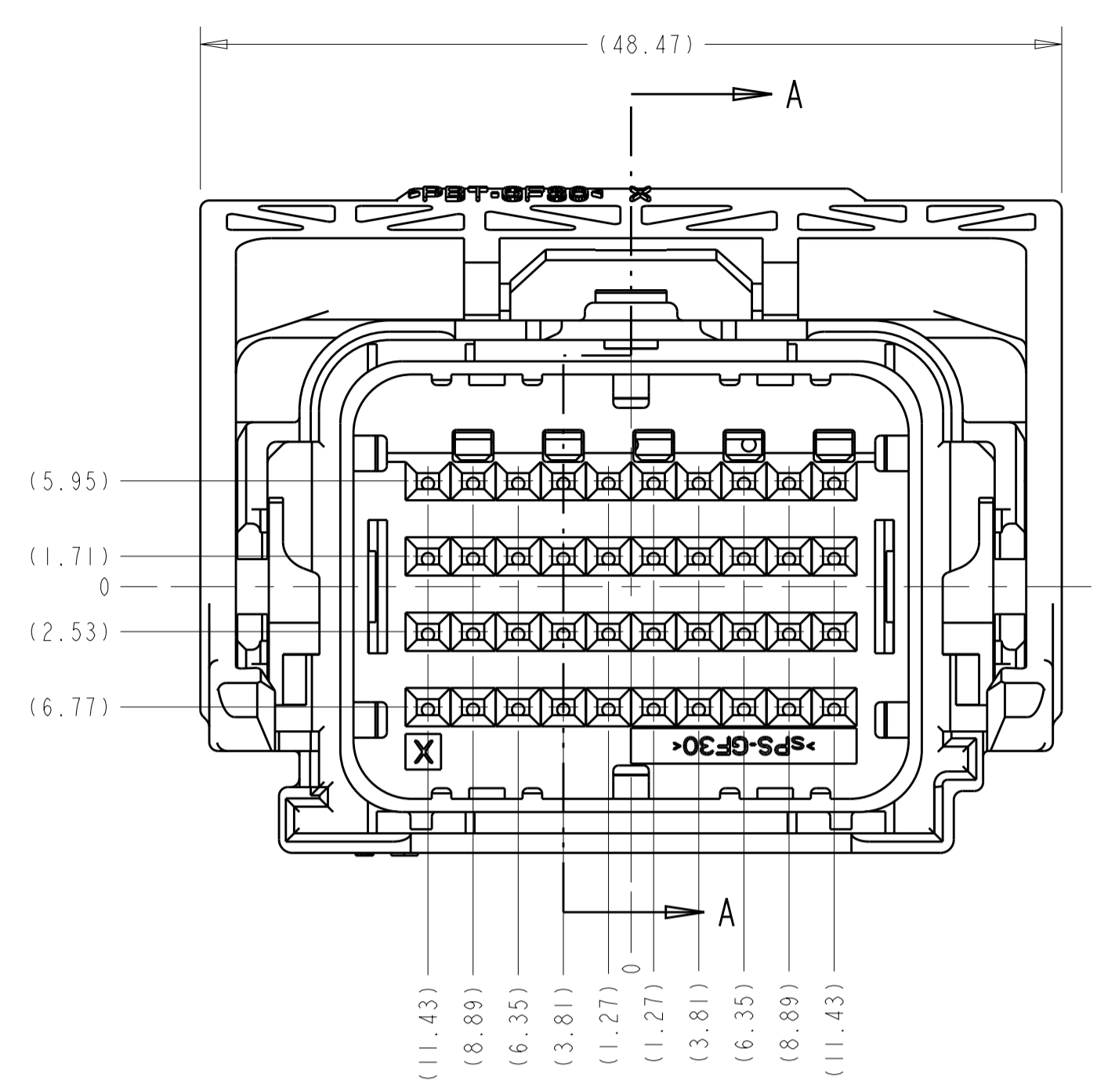
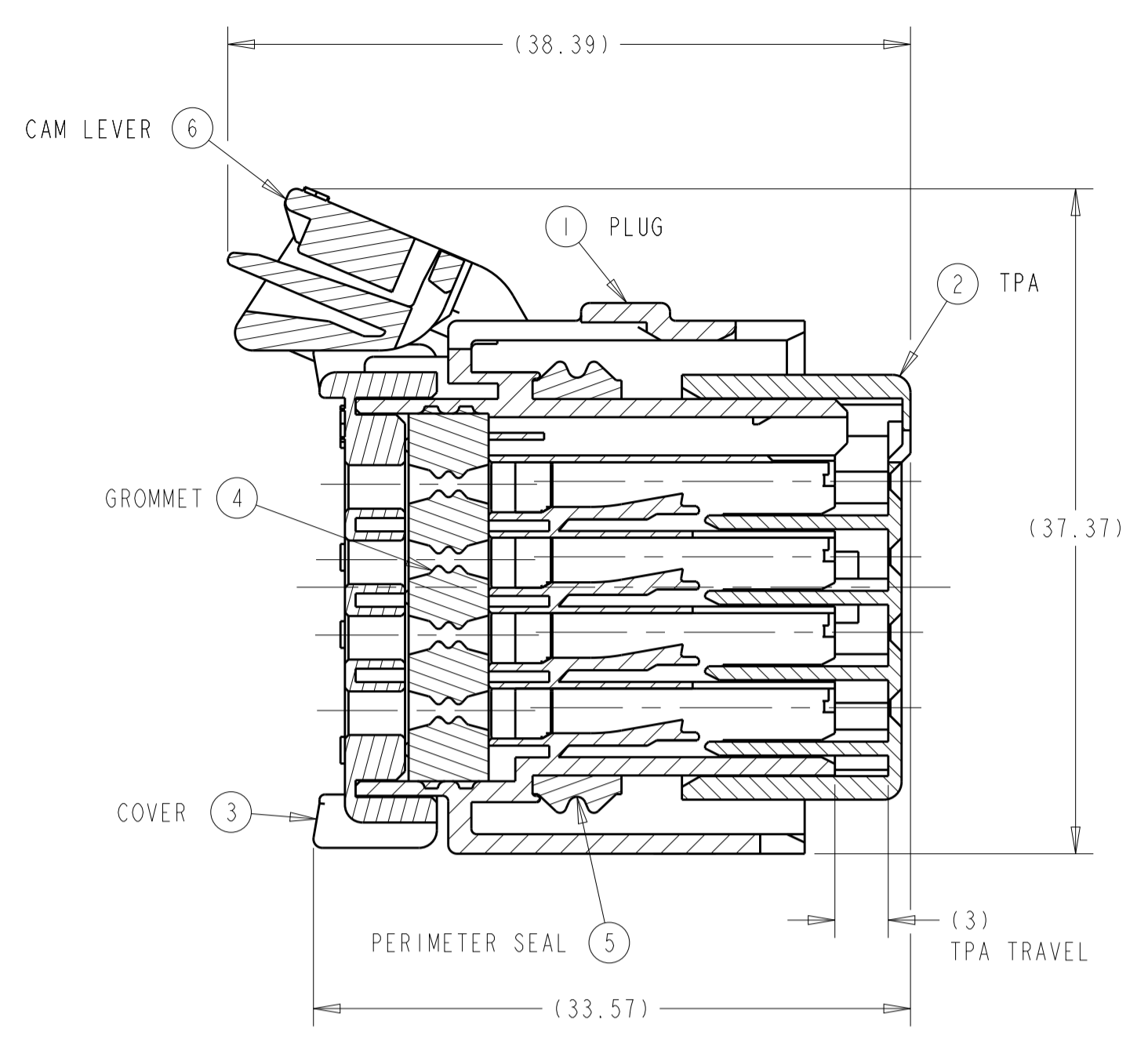
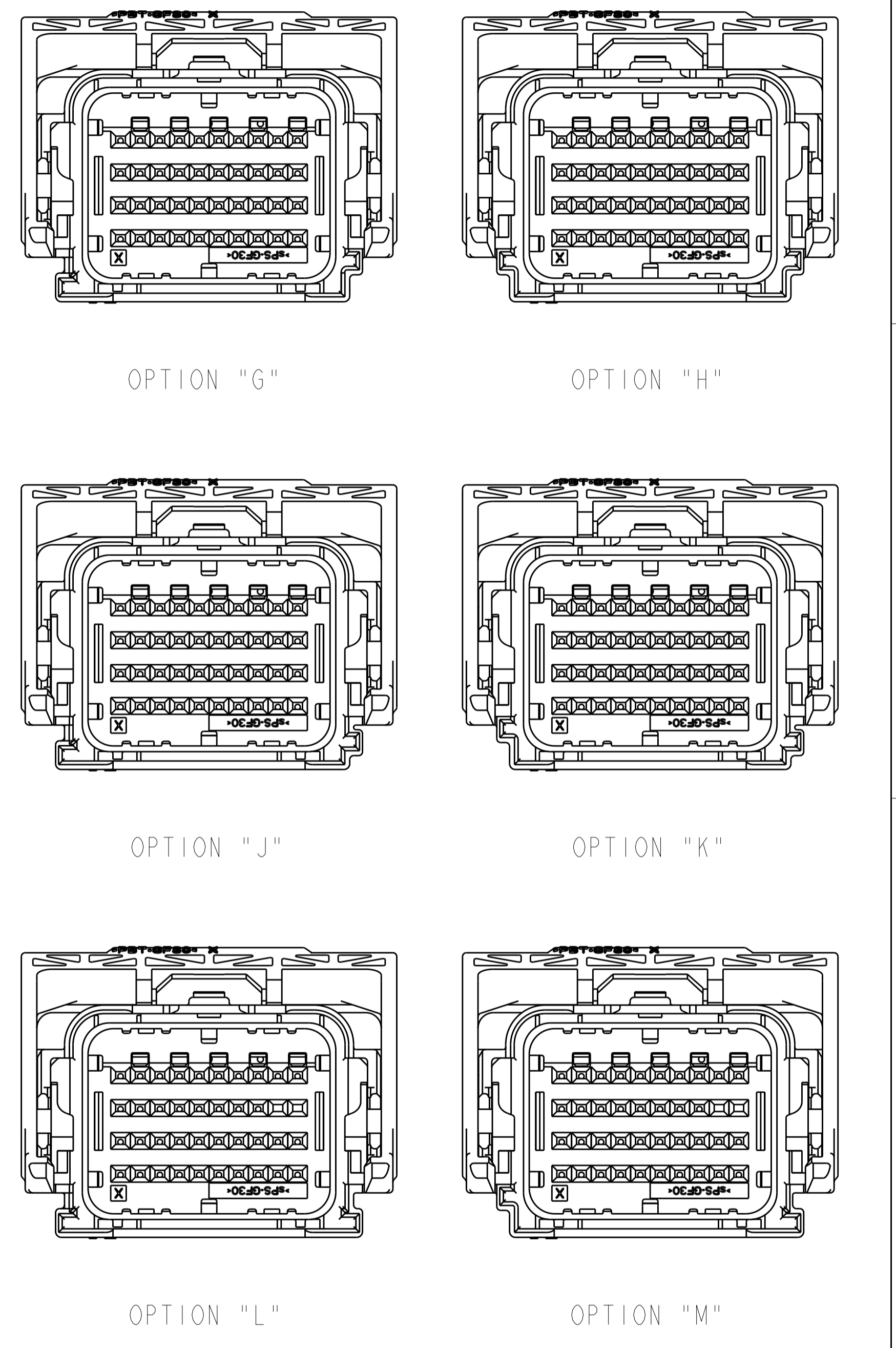


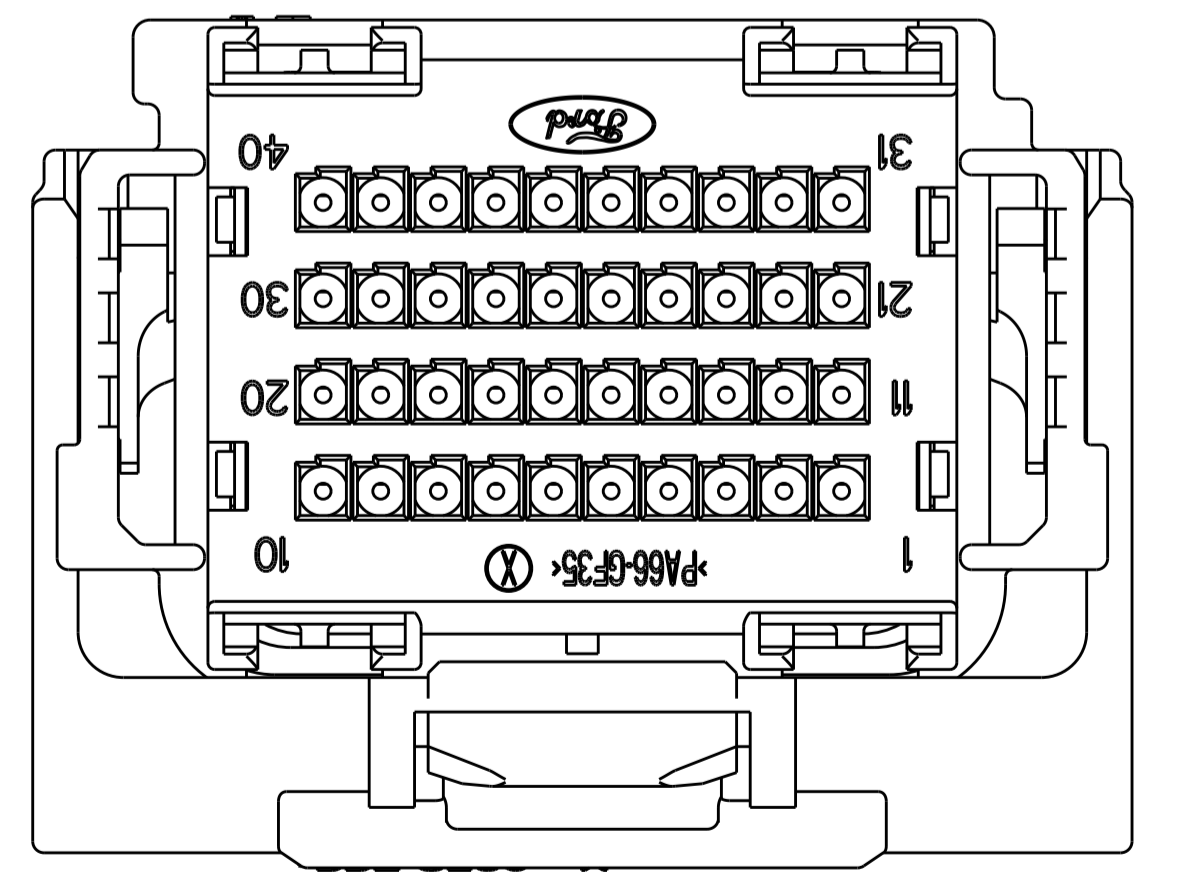
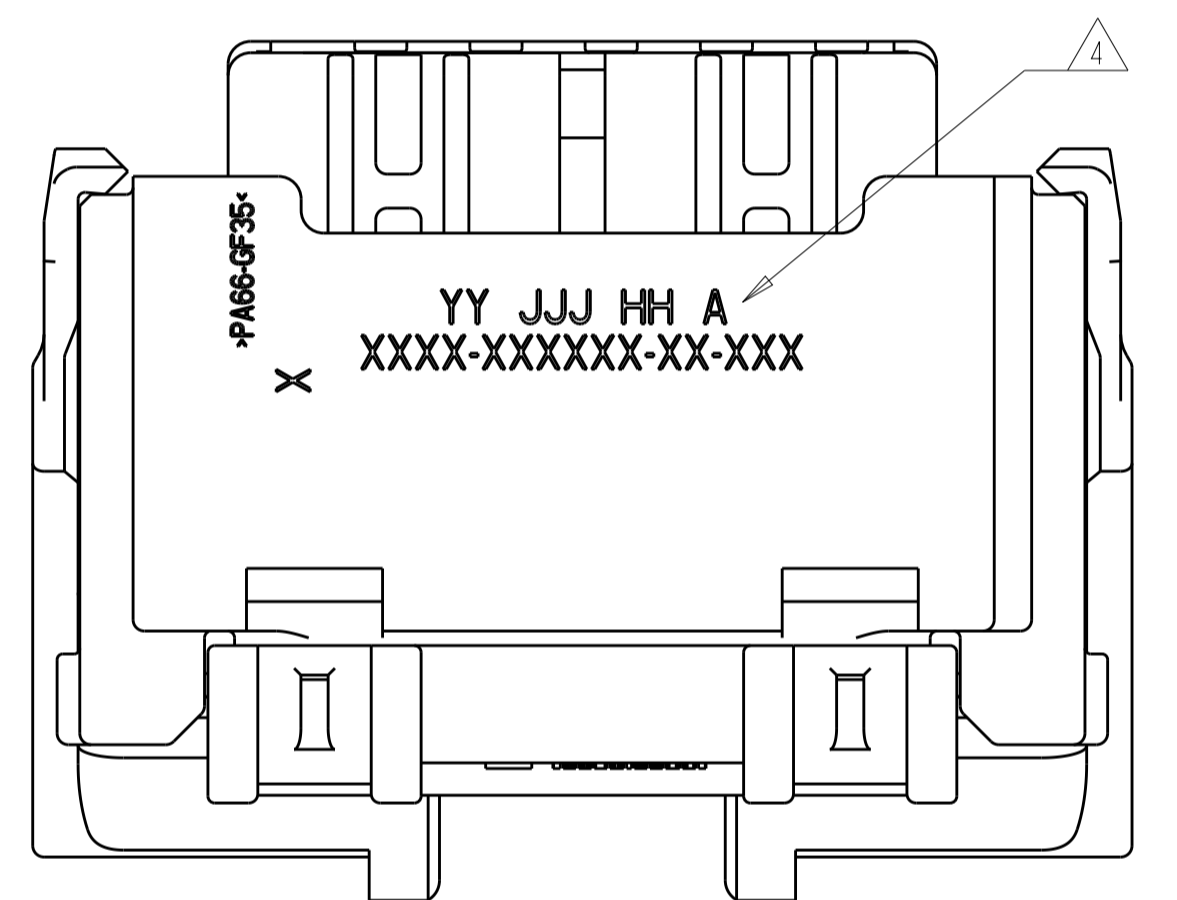
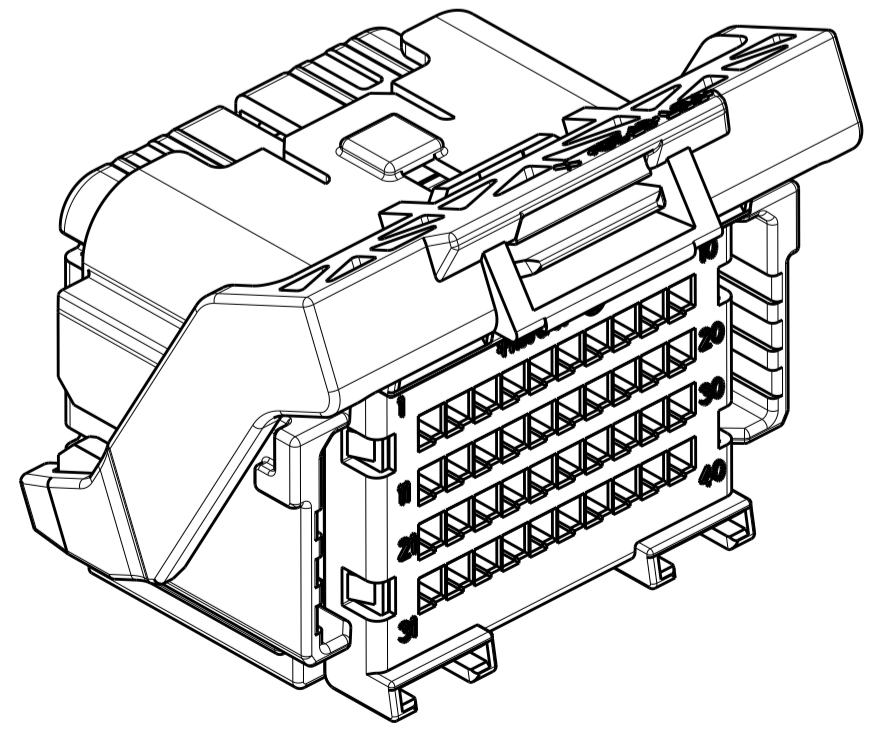
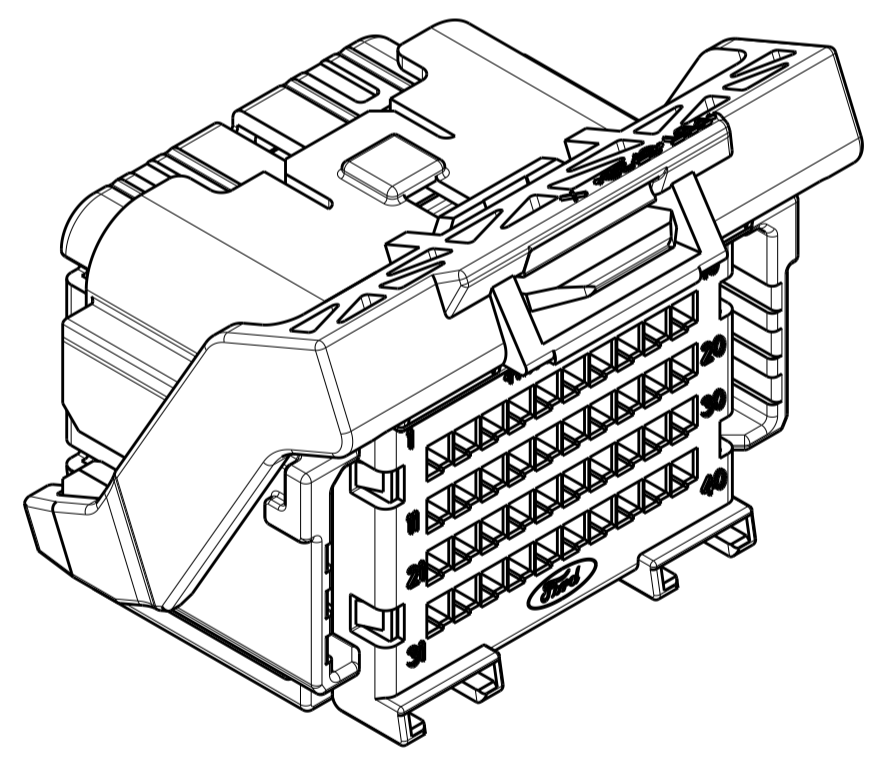
REVISIONS				
P.	LTN	DESCRIPTION	DATE	OWN APVD
CE		REVISED PER ECO-15-012629	01SEP2015	DLD WTW



KEYING OPTIONS
SCALE 2:1



MINIMUM FEED THROUGH CONDITION WITH 1mm CLEARANCE ALL AROUND SHOWN WITH OPTION WIRESHIELD TPA IS IN IT'S LOADED POSITION CAM LEVER IS IN IT'S PRE-LOADED POSITION



- APPLICABLE TERMINAL PART NUMBERS (SOLD SEPARATELY):
FOR TIN APPLICATIONS: 1393367 AND 1393366.
FOR GOLD APPLICATIONS: 1393365 AND 1393364.
FOR TERMINATION AND REELING OPTIONS
SEE DRAWINGS 1393367, 1393366, 1393365, AND 1393364.
- COMPATIBLE WIRE SIZES FOR MAT SEAL DESIGN 1.19 TO 2.06 O.D.
(22-18 AWG, 0.35-0.75 mm²)
- TPA AND CAM LEVER ARE SHIPPED IN THEIR PRE-LOADED POSITION.
ALL ASSEMBLIES ARE TO BE TRAY PACKAGED.
- CUSTOMER PART NUMBER AND TRACEABILITY CODE (YY = TWO DIGIT YEAR, JJJ = JULIAN DAY, HH = TWO DIGIT MILITARY HOUR, A = ASSEMBLY PROCESS USED) ARE PRINTED IN THIS LOCATION.
- PART ASSEMBLY WEIGHT WITHOUT TERMINALS AND WITH STANDARD PIN-OUT CONFIGURATION IS 24.71 GRAMS.
- OPTIONAL WIRESHIELD P/N 8-1419157-8 (SOLD SEPARATELY). PLEASE CONTACT YOUR TE SALES REPRESENTATIVE FOR AVAILABILITY AND PRICING.

THIS DRAWING IS A CONTROLLED DOCUMENT.

DIMENSIONS:	TOLERANCES UNLESS OTHERWISE SPECIFIED:	OWN: M. FORLSKA 19APR2002	CHK: M. FORLSKA 19APR2002	APVD: A. VALASEK 19APR2002
mm	0 PLC ± 1 PLC ±0.3 2 PLC ±0.10 3 PLC ± 4 PLC ± ANGLES ±	PRODUCT SPEC	APPLICATION SPEC	WEIGHT SEE NOTE 5
MATERIAL SEE CHART ON SHEET 2	FINISH	SIZE A1	CAGE CODE 00779	DRAWING NO. 8-1419157-7
		SCALE 3:1	SHEET 1 OF 5	REV. CE

STE TE Connectivity
NAME: 40 WAY ARM, PLUG ASSEMBLY WITHOUT SHORTING BARS, CUSTOMER SPEC.
RESTRICTED TO CUSTOMER DRAWING

Table with columns: ASSEMBLY PART NUMBERS, QUANTITY, ITEM, DESCRIPTION, MATERIAL, FINISH/COLOR. Includes parts like CAM LEVER, PERIMETER SEAL, GROMMET, COVER, and TPA FOR NON-SHORTING BAR APPLICATIONS.

Table with columns: ASSEMBLY PART NUMBERS, QUANTITY, ITEM, DESCRIPTION, MATERIAL, FINISH/COLOR. Includes parts like CAM LEVER, PERIMETER SEAL, GROMMET, COVER, and TPA FOR NON-SHORTING BAR APPLICATIONS.

Table with columns: ASSEMBLY PART NUMBERS, QUANTITY, ITEM, DESCRIPTION, MATERIAL, FINISH/COLOR. Includes parts like CAM LEVER, PERIMETER SEAL, GROMMET, COVER, and TPA FOR NON-SHORTING BAR APPLICATIONS.

Technical drawing footer containing: DIMENSIONS (mm), TOLERANCES UNLESS OTHERWISE SPECIFIED, MATERIAL (SEE CHART ON SHEET 2), CUSTOMER DRAWING, and STC logo with product name '40 WAY ARM, PLUG ASSEMBLY WITHOUT SHORTING BARS, CUSTOMER SPEC.'

REVISIONS				
P.	LTN	DESCRIPTION	DATE	APPD
-	-	SEE SHEET 1	-	-

ASSEMBLY PART NUMBERS																				ITEM	DESCRIPTION	MATERIAL	FINISH/COLOR		
																					2098034-1	6	CAM LEVER	PBT 30% GF	GRAY
																					1-1438435-6	6	CAM LEVER WITH MODIFIED TAB	PA66 35% GF	GRAY
																					1-1438435-5	6	CAM LEVER WITH MODIFIED TAB	PBT 30% GF	GRAY
																					1-1438435-4	5	PERIMETER SEAL	SILICONE	GREEN
																					1-1438435-3	4	GROMMET	SILICONE	BROWN
																					1-1438435-2	3	COVER	PA66 35% GF	BLACK
																					1-1438435-1	2	TPA FOR NON-SHORTING BAR APPLICATIONS	sPS 30% GF	NATURAL
																					1-1438435-0	2	TPA FOR NON-SHORTING BAR APPLICATIONS	sPS 30% GF	RED
																					1438435-9	1	PLUG WITH KEYING OPTION "K" AND 5 SHORTING BAR POSITIONS CONFIGURATION	PA66 35% GF	BLACK
																					1438435-8	1	PLUG WITH KEYING OPTION "L" AND 5 SHORTING BAR POSITIONS CONFIGURATION	PA66 35% GF	BLACK
																					1438435-7	1	PLUG WITH KEYING OPTION "J" AND 5 SHORTING BAR POSITIONS CONFIGURATION	PA66 35% GF	BLACK
																					1438435-6	1	PLUG WITH KEYING OPTION "H" AND 5 SHORTING BAR POSITIONS CONFIGURATION	PA66 35% GF	BLACK
																					1438435-5	1	PLUG WITH KEYING OPTION "G" AND 5 SHORTING BAR POSITIONS CONFIGURATION	PA66 35% GF	BLACK
																					1438435-4				
																					1438435-3				
																					1438435-2				
																					1438435-1				

DIMENSIONS: mm 		TOLERANCES UNLESS OTHERWISE SPECIFIED: 0 PLC ± 1 PLC ±0.3 2 PLC ±0.10 3 PLC ± 4 PLC ± ANGLES ±°		THIS DRAWING IS A CONTROLLED DOCUMENT. DWN M. FORLSKA 19APR2002 CHK M. FORLSKA 19APR2002 APPD A. VALASEK 19APR2002		STE TE Connectivity NAME: 40 WAY ARM, PLUG ASSEMBLY WITHOUT SHORTING BARS, CUSTOMER SPEC.	
MATERIAL: SEE CHART ON SHEET 2		FINISH:		WEIGHT:		SIZE: A1 00779 CAGE CODE: 8-1419157-7 DRAWING NO:	
CUSTOMER DRAWING				SCALE: 3:1		SHEET 3 OF 5 REV: CE	

REVISIONS table with columns: P, LTR, DESCRIPTION, DATE, DWN, APVD. Row 1: SEE SHEET 1

PIN-OUT CHART table with columns: Pin numbers (1-40), Key options (KEY "J", KEY "H", KEY "L", KEY "K", KEY "G"), and Assembly Part Number. Includes terminal hole position indicators.

PIN-OUT CHART table for 2098034-1 with columns: Pin numbers (1-40), Key options (KEY "H", KEY "L", KEY "J"), and Assembly Part Number. Includes terminal hole position indicators.

TERMINAL HOLE POSITION. CAVITIES WITH A NUMERIC SYMBOL INDICATE CLOSED TERMINAL HOLE POSITIONS. BLANK CAVITIES INDICATE OPEN TERMINAL HOLE POSITIONS.

Technical drawing footer containing: DIMENSIONS (mm), TOLERANCES UNLESS OTHERWISE SPECIFIED (PLC, P, S, A, ANGLES), MATERIAL (SEE CHART ON SHEET 2), FINISH, THIS DRAWING IS A CONTROLLED DOCUMENT, and a table with columns: DWN, CHK, APVD, PRODUCT SPEC, APPLICATION SPEC, WEIGHT, CUSTOMER DRAWING, NAME, SIZE, CAGE CODE, DRAWING NO, RESTRICTED TO, SCALE, SHEET, REV.

THIS DRAWING IS UNPUBLISHED. RELEASED FOR PUBLICATION 20
 © COPYRIGHT 20 BY - ALL RIGHTS RESERVED.

REVISIONS				
P.	LTN	DESCRIPTION	DATE	APVD
-		SEE SHEET 1	-	-

PIN-OUT CHART

TERMINAL HOLE POSITION	ASSEMBLY PART NUMBER	PLUG KEYING OPTION
26 27 28	5-1924513-1	KEY "J"
26 27	5-1924513-0	KEY "J"
28	4-1924513-9	KEY "J"
33 34		
33 34		
33	2138987-2	KEY "G"
35 36 37 38 39	2138987-1	KEY "G"
1 2 3 4 5 6 7 8 9 10 11 12 13 14 15 16 17 18 19 20 21 22 23 24 25 26 27 28 29 30 31 32 33 34 35 36 37 38 39 40		

CAVITIES WITH A NUMERIC SYMBOL INDICATE CLOSED TERMINAL HOLE POSITIONS
 BLANK CAVITIES INDICATE OPEN TERMINAL HOLE POSITIONS

THIS DRAWING IS A CONTROLLED DOCUMENT.		DWN M. FORLSKA 19APR2002 CHK M. FORLSKA 19APR2002 APVD A. VALASEK 19APR2002	STE TE Connectivity NAME 40 WAY ARM, PLUG ASSEMBLY WITHOUT SHORTING BARS, CUSTOMER SPEC.
DIMENSIONS: mm 	TOLERANCES UNLESS OTHERWISE SPECIFIED: 0 PLC ± 1 PLC ±0.3 2 PLC ±0.10 3 PLC ± 4 PLC ± ANGLES ±3° FINISH -	PRODUCT SPEC APPLICATION SPEC WEIGHT - CUSTOMER DRAWING	SIZE A1 CAGE CODE 00779 DRAWING NO. C=8-1419157-7 RESTRICTED TO - SCALE 3:1 SHEET 5 OF 5 REV CE

Данный компонент на территории Российской Федерации

Вы можете приобрести в компании MosChip.

Для оперативного оформления запроса Вам необходимо перейти по данной ссылке:

<http://moschip.ru/get-element>

Вы можете разместить у нас заказ для любого Вашего проекта, будь то серийное производство или разработка единичного прибора.

В нашем ассортименте представлены ведущие мировые производители активных и пассивных электронных компонентов.

Нашей специализацией является поставка электронной компонентной базы двойного назначения, продукции таких производителей как XILINX, Intel (ex.ALTERA), Vicor, Microchip, Texas Instruments, Analog Devices, Mini-Circuits, Amphenol, Glenair.

Сотрудничество с глобальными дистрибьюторами электронных компонентов, предоставляет возможность заказывать и получать с международных складов практически любой перечень компонентов в оптимальные для Вас сроки.

На всех этапах разработки и производства наши партнеры могут получить квалифицированную поддержку опытных инженеров.

Система менеджмента качества компании отвечает требованиям в соответствии с ГОСТ Р ИСО 9001, ГОСТ РВ 0015-002 и ЭС РД 009

Офис по работе с юридическими лицами:

105318, г.Москва, ул.Щербаковская д.3, офис 1107, 1118, ДЦ «Щербаковский»

Телефон: +7 495 668-12-70 (многоканальный)

Факс: +7 495 668-12-70 (доб.304)

E-mail: info@moschip.ru

Skype отдела продаж:

moschip.ru

moschip.ru_4

moschip.ru_6

moschip.ru_9