

# FIXED PRINTED CIRCUIT US Pin Spacing<sup>a</sup> Tubular Screw Clamp

For wire-to-board connections in lighter duty applications with strict budgets and where infrequent wire terminations are expected.

The AK(Z)110 is available in Top Wire Entry. Please contact Altech for information.

- Multipole, Modular Design
- Wire Protector Standard
- Housing Material: Polyamide 6.6
- Standard Color: Gray



## AKZ500 Front Wire Entry

## AK(Z)505 Top Wire Entry

<sup>a</sup>Blocks with metric pin spacing begin on page 132.

Pin Spacing 5.08mm (.200)  
Stripping Length 6mm (.236)  
Screw Hole Diameter 3mm (.118)

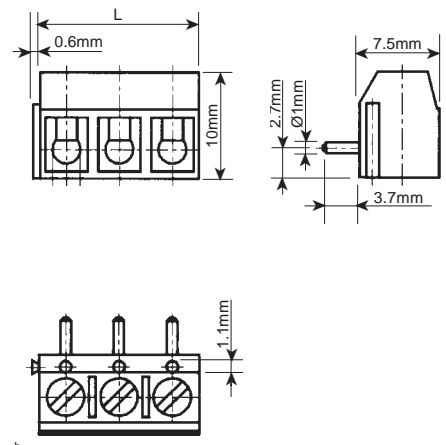
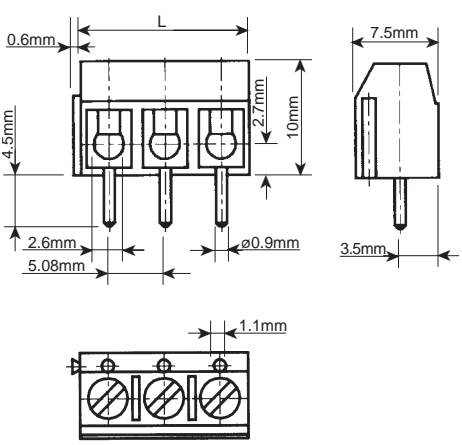
Pin Spacing 5mm (.197)<sup>b</sup>  
Stripping Length 5mm (.197)  
Screw Hole Diameter 3mm (.118)

| Ratings |                    | Wire Range             | Current | Voltage | Wire Range             | Current | Voltage |
|---------|--------------------|------------------------|---------|---------|------------------------|---------|---------|
| IEC/VDE |                    | 0.5-1.5mm <sup>2</sup> | 16A     | 250V    | 0.5-1.5mm <sup>2</sup> | 16A     | 250V    |
|         | (File No. E101811) | 22-14 AWG              | 15A     | 300V    | 22-14 AWG              | 15A     | 300V    |
|         | (File No. LR68503) | 22-14 AWG              | 15A     | 300V    | 22-14 AWG              | 15A     | 300V    |

| Ordering Information                  | No. of Poles | Type        | Cat. No. | Length L mm (in.) | Std. Pk. | Type         | Cat. No. | Length L mm (in.) | Std. Pk. |
|---------------------------------------|--------------|-------------|----------|-------------------|----------|--------------|----------|-------------------|----------|
| Terminal Block, US (Inch) Pin Spacing | 2            | AKZ500/2wp  | 34.102   | 10.16 (.40)       | 100      | AK(Z)505/2wp | 30.752   | 10.00 (.39)       | 100      |
|                                       | 3            | AKZ500/3wp  | 34.103   | 15.24 (.60)       | 100      | AK(Z)505/3wp | 30.753   | 15.00 (.59)       | 100      |
|                                       | 4            | AKZ500/4wp  | 34.104   | 20.32 (.80)       | 50       | AK(Z)505/4wp | 30.754   | 20.00 (.79)       | 50       |
|                                       | 5            | AKZ500/5wp  | 34.105   | 25.40 (1.00)      | 50       | AK(Z)505/5wp | 30.755   | 25.00 (.99)       | 50       |
|                                       | 6            | AKZ500/6wp  | 34.106   | 30.48 (1.20)      | 50       | AK(Z)505/6wp | 30.756   | 30.00 (1.18)      | 50       |
|                                       | 7            | AKZ500/7wp  | 34.107   | 35.56 (1.40)      | 30       |              |          |                   |          |
|                                       | 8            | AKZ500/8wp  | 34.108   | 40.64 (1.60)      | 30       |              |          |                   |          |
|                                       | 9            | AKZ500/9wp  | 34.109   | 45.72 (1.80)      | 30       |              |          |                   |          |
|                                       | 10           | AKZ500/10wp | 34.110   | 50.80 (2.00)      | 30       |              |          |                   |          |
|                                       | 11           | AKZ500/11wp | 34.111   | 55.88 (2.20)      | 20       |              |          |                   |          |
|                                       | 12           | AKZ500/12wp | 34.112   | 60.98 (2.40)      | 20       |              |          |                   |          |
|                                       | 13           | AKZ500/13wp | 34.113   | 66.04 (2.60)      | 20       |              |          |                   |          |
|                                       | 14           | AKZ500/14wp | 34.114   | 71.14 (2.80)      | 20       |              |          |                   |          |
|                                       | 15           | AKZ500/15wp | 34.115   | 76.20 (3.00)      | 20       |              |          |                   |          |
|                                       | 16           | AKZ500/16wp | 34.116   | 81.28 (3.20)      | 15       |              |          |                   |          |
|                                       | 17           | AKZ500/17wp | 34.117   | 86.36 (3.40)      | 15       |              |          |                   |          |
|                                       | 18           | AKZ500/18wp | 34.118   | 91.44 (3.60)      | 15       |              |          |                   |          |
|                                       | 19           | AKZ500/19wp | 34.119   | 96.52 (3.80)      | 15       |              |          |                   |          |
|                                       | 20           | AKZ500/20wp | 34.120   | 101.60 (4.00)     | 15       |              |          |                   |          |
|                                       | 21           | AKZ500/21wp | 34.121   | 106.68 (4.20)     | 10       |              |          |                   |          |
|                                       | 22           | AKZ500/22wp | 34.122   | 111.76 (4.40)     | 10       |              |          |                   |          |
|                                       | 23           | AKZ500/23wp | 34.123   | 116.84 (4.60)     | 10       |              |          |                   |          |
|                                       | 24           | AKZ500/24wp | 34.124   | 121.92 (4.80)     | 10       |              |          |                   |          |

| Dimensions |       |       |       |
|------------|-------|-------|-------|
| mm         | in.   | mm    | in.   |
| 0.60       | 0.024 | 3.70  | 0.146 |
| 0.70       | 0.028 | 3.90  | 0.154 |
| 0.90       | 0.035 | 4.00  | 0.157 |
| 1.00       | 0.039 | 4.50  | 0.177 |
| 1.10       | 0.043 | 5.08  | 0.200 |
| 2.00       | 0.079 | 7.50  | 0.295 |
| 2.60       | 0.102 | 9.00  | 0.354 |
| 2.70       | 0.106 | 10.00 | 0.394 |
| 3.10       | 0.122 | 12.50 | 0.492 |
| 3.40       | 0.134 | 13.00 | 0.512 |
| 3.50       | 0.138 |       |       |



<sup>b</sup>Appropriate for use in US (inch) pin spacings up to the number of poles shown.



## AKZ120 Front Wire Entry

Pin Spacing 5.08mm (.200)  
Stripping Length 7mm (.276)  
Screw Hole Diameter 3.5mm (.138)

| Wire Range             | Current | Voltage |
|------------------------|---------|---------|
| 0.5-2.5mm <sup>2</sup> | 16A     | 250V    |
| 22-14 AWG              | 15A     | 300V    |
| 22-14 AWG              | 15A     | 300V    |

| Type        | Cat. No. | Length L<br>mm (in.) | Std. Pk. |
|-------------|----------|----------------------|----------|
| AKZ120/2wp  | 30.202   | 10.16 (.40)          | 100      |
| AKZ120/3wp  | 30.203   | 15.24 (.60)          | 100      |
| AKZ120/4wp  | 30.204   | 20.32 (.80)          | 50       |
| AKZ120/5wp  | 30.205   | 25.40 (1.00)         | 50       |
| AKZ120/6wp  | 30.206   | 30.48 (1.20)         | 50       |
| AKZ120/7wp  | 30.207   | 35.56 (1.40)         | 30       |
| AKZ120/8wp  | 30.208   | 40.64 (1.60)         | 30       |
| AKZ120/9wp  | 30.209   | 45.72 (1.80)         | 30       |
| AKZ120/10wp | 30.210   | 50.80 (2.00)         | 30       |
| AKZ120/11wp | 30.211   | 55.88 (2.20)         | 20       |
| AKZ120/12wp | 30.212   | 60.98 (2.40)         | 20       |
| AKZ120/13wp | 30.213   | 66.04 (2.60)         | 20       |
| AKZ120/14wp | 30.214   | 71.14 (2.80)         | 20       |
| AKZ120/15wp | 30.215   | 76.20 (3.00)         | 20       |
| AKZ120/16wp | 30.216   | 81.28 (3.20)         | 15       |
| AKZ120/17wp | 30.217   | 86.36 (3.40)         | 15       |
| AKZ120/18wp | 30.218   | 91.44 (3.60)         | 15       |
| AKZ120/19wp | 30.219   | 96.52 (3.80)         | 15       |
| AKZ120/20wp | 30.220   | 101.60 (4.00)        | 15       |
| AKZ120/21wp | 30.221   | 106.68 (4.20)        | 10       |
| AKZ120/22wp | 30.222   | 111.76 (4.40)        | 10       |
| AKZ120/23wp | 30.223   | 116.84 (4.60)        | 10       |
| AKZ120/24wp | 30.224   | 121.92 (4.80)        | 10       |



## AKZ125 Top Wire Entry

Pin Spacing 5.08mm (.200)  
Stripping Length 6mm (.236)  
Screw Hole Diameter 3.5mm (.138)

| Wire Range             | Current | Voltage |
|------------------------|---------|---------|
| 0.5-2.5mm <sup>2</sup> | 16A     | 250V    |
| 22-14 AWG              | 15A     | 300V    |
| 22-14 AWG              | 15A     | 300V    |

| Type        | Cat. No. | Length L<br>mm (in.) | Std. Pk. |
|-------------|----------|----------------------|----------|
| AKZ125/2wp  | 30.252   | 10.16 (.40)          | 100      |
| AKZ125/3wp  | 30.253   | 15.24 (.60)          | 100      |
| AKZ125/4wp  | 30.254   | 20.32 (.80)          | 50       |
| AKZ125/5wp  | 30.255   | 25.40 (1.00)         | 50       |
| AKZ125/6wp  | 30.256   | 30.48 (1.20)         | 50       |
| AKZ125/7wp  | 30.257   | 35.56 (1.40)         | 30       |
| AKZ125/8wp  | 30.258   | 40.64 (1.60)         | 30       |
| AKZ125/9wp  | 30.259   | 45.72 (1.80)         | 30       |
| AKZ125/10wp | 30.260   | 50.80 (2.00)         | 30       |
| AKZ125/11wp | 30.261   | 55.88 (2.20)         | 20       |
| AKZ125/12wp | 30.262   | 60.98 (2.40)         | 20       |
| AKZ125/13wp | 30.263   | 66.04 (2.60)         | 20       |
| AKZ125/14wp | 30.264   | 71.14 (2.80)         | 20       |
| AKZ125/15wp | 30.265   | 76.20 (3.00)         | 20       |
| AKZ125/16wp | 30.266   | 81.28 (3.20)         | 15       |
| AKZ125/17wp | 30.267   | 86.36 (3.40)         | 15       |
| AKZ125/18wp | 30.268   | 91.44 (3.60)         | 15       |
| AKZ125/19wp | 30.269   | 96.52 (3.80)         | 15       |
| AKZ125/20wp | 30.270   | 101.60 (4.00)        | 15       |
| AKZ125/21wp | 30.271   | 106.68 (4.20)        | 10       |
| AKZ125/22wp | 30.272   | 111.76 (4.40)        | 10       |
| AKZ125/23wp | 30.273   | 116.84 (4.60)        | 10       |
| AKZ125/24wp | 30.274   | 121.92 (4.80)        | 10       |



## AK(Z)110 Front Wire Entry

Pin Spacing 7.5mm (.295)<sup>°</sup>  
Stripping Length 6mm (.236)  
Screw Hole Diameter 3.5mm (.138)

| Wire Range             | Current | Voltage |
|------------------------|---------|---------|
| 0.5-2.5mm <sup>2</sup> | 16A     | 500V    |
| 22-14 AWG              | 15A     | 300V    |
| 22-14 AWG              | 15A     | 300V    |

| Type         | Cat. No. | Length L<br>mm (in.) | Std. Pk. |
|--------------|----------|----------------------|----------|
| AK(Z)110/2wp | 30.102   | 15.00 (.59)          | 100      |
| AK(Z)110/3wp | 30.103   | 22.50 (.89)          | 100      |
| AK(Z)110/4wp | 30.104   | 30.00 (1.18)         | 50       |
| AK(Z)110/5wp | 30.105   | 37.50 (1.48)         | 50       |



<sup>°</sup>Appropriate for use in US (inch) pin spacings up to the number of poles shown providing minimum PC Board Hole Size is 1.5mm(.059 in.)

# FIXED PRINTED CIRCUIT US Pin Spacing<sup>a</sup> Screw-Cage Clamp

For wire-to-board connections in industrial applications and where frequent wire terminations occur.

- Multipole, Modular Design
- Housing Material: Polyamide 6.6
- Standard Color: AKZ300 is Gray, all others are green

# NEW



## AKZ300 45° Wire Entry

Pin Spacing 5.08mm (.200)  
Stripping Length 7mm (.276)  
Screw Hole Diameter 3.5mm (.138)

Minimum clearance, small footprint conserves valuable PCB real estate



## AKZ250 Front Wire Entry

Pin Spacing 5.08mm (.200)  
Stripping Length 7mm (.276)  
Screw Hole Diameter 3.5mm (.138)

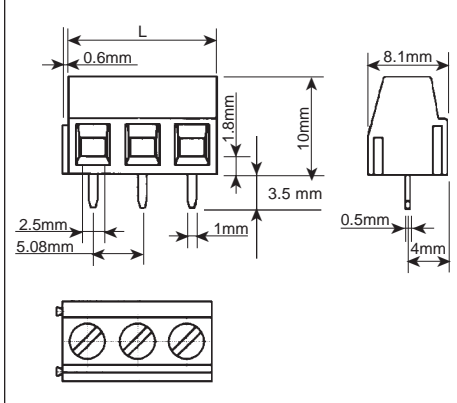
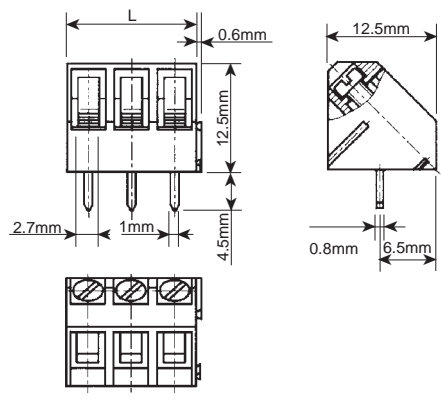
<sup>a</sup>Blocks with metric pin spacing begin on page 132.

| Ratings               |  | Wire Range             | Current | Voltage | Wire Range             | Current | Voltage |
|-----------------------|--|------------------------|---------|---------|------------------------|---------|---------|
| IEC/VDE               |  | 0.5-2.5mm <sup>2</sup> | 16A     | 250V    | 0.5-1.5mm <sup>2</sup> | 16A     | 250V    |
| UL (File No. E101811) |  | 22-12 AWG              | 15A     | 300V    | 28-14 AWG              | 15A     | 300V    |
| CS (File No. LR68503) |  | 22-12 AWG              | 15A     | 300V    | 28-14 AWG              | 10A     | 300V    |

| Ordering Information                  |           | Poles  | Type          | Cat. No. | Length L<br>mm (in.) | Std. Pk. | Type          | Cat. No. | Length L<br>mm (in.) | Std. Pk. |
|---------------------------------------|-----------|--------|---------------|----------|----------------------|----------|---------------|----------|----------------------|----------|
| Terminal Block, US (Inch) Pin Spacing |           | 2      | AKZ300/2      | 30.652   | 10.16 (.40)          | 100      | AKZ250/2      | 32.402   | 10.16 (.40)          | 100      |
|                                       |           | 3      | AKZ300/3      | 30.653   | 15.24 (.60)          | 100      | AKZ250/3      | 32.403   | 15.24 (.60)          | 100      |
|                                       |           | 4      | AKZ300/4      | 30.654   | 20.32 (.80)          | 50       | AKZ250/4      | 32.404   | 20.32 (.80)          | 50       |
|                                       |           | 5      | AKZ300/5      | 30.655   | 25.40 (1.00)         | 50       | AKZ250/5      | 32.405   | 25.40 (1.00)         | 50       |
|                                       |           | 6      | AKZ300/6      | 30.656   | 30.48 (1.20)         | 50       | AKZ250/6      | 32.406   | 30.48 (1.20)         | 50       |
|                                       |           | 7      | AKZ300/7      | 30.657   | 36.56 (1.40)         | 30       | AKZ250/7      | 32.407   | 35.56 (1.40)         | 30       |
|                                       |           | 8      | AKZ300/8      | 30.658   | 40.64 (1.60)         | 30       | AKZ250/8      | 32.408   | 40.64 (1.60)         | 30       |
|                                       |           | 9      | AKZ300/9      | 30.659   | 45.72 (1.80)         | 30       | AKZ250/9      | 32.409   | 45.72 (1.80)         | 30       |
|                                       |           | 10     | AKZ300/10     | 30.660   | 50.80 (2.00)         | 30       | AKZ250/10     | 32.410   | 50.80 (2.00)         | 30       |
|                                       |           | 11     | AKZ300/11     | 30.661   | 55.88 (2.20)         | 20       | AKZ250/11     | 32.411   | 55.88 (2.20)         | 20       |
|                                       |           | 12     | AKZ300/12     | 30.662   | 60.96 (2.40)         | 20       | AKZ250/12     | 32.412   | 60.96 (2.40)         | 20       |
|                                       |           | 13     | AKZ300/13     | 30.663   | 66.04 (2.60)         | 20       | AKZ250/13     | 32.413   | 66.04 (2.60)         | 20       |
|                                       |           | 14     | AKZ300/14     | 30.664   | 71.12 (2.80)         | 20       | AKZ250/14     | 32.414   | 71.12 (2.80)         | 20       |
|                                       |           | 15     | AKZ300/15     | 30.665   | 76.20 (3.00)         | 20       | AKZ250/15     | 32.415   | 76.20 (3.00)         | 20       |
|                                       |           | 16     | AKZ300/16     | 30.666   | 81.28 (3.20)         | 15       | AKZ250/16     | 32.416   | 81.28 (3.20)         | 15       |
|                                       |           | 17     | AKZ300/17     | 30.667   | 86.36 (3.40)         | 15       | AKZ250/17     | 32.417   | 86.36 (3.40)         | 15       |
|                                       |           | 18     | AKZ300/18     | 30.668   | 91.44 (3.60)         | 15       | AKZ250/18     | 32.418   | 91.44 (3.60)         | 15       |
|                                       |           | 19     | AKZ300/19     | 30.669   | 96.52 (3.80)         | 15       | AKZ250/19     | 32.419   | 96.52 (3.80)         | 15       |
|                                       |           | 20     | AKZ300/20     | 30.670   | 101.60 (4.00)        | 15       | AKZ250/20     | 32.420   | 101.60 (4.00)        | 15       |
| 21                                    | AKZ300/21 | 30.671 | 106.68 (4.20) | 10       | AKZ250/21            | 32.421   | 106.68 (4.20) | 10       |                      |          |
| 22                                    | AKZ300/22 | 30.672 | 111.76 (4.40) | 10       | AKZ250/22            | 32.422   | 111.76 (4.40) | 10       |                      |          |
| 23                                    | AKZ300/23 | 30.673 | 116.84 (4.60) | 10       | AKZ250/23            | 32.423   | 116.84 (4.60) | 10       |                      |          |
| 24                                    | AKZ300/24 | 30.674 | 121.92 (4.80) | 10       | AKZ250/24            | 32.424   | 121.92 (4.80) | 10       |                      |          |

| Dimensions |       |       |       |
|------------|-------|-------|-------|
| mm         | in.   | mm    | in.   |
| 0.50       | 0.020 | 4.50  | 0.177 |
| 0.60       | 0.024 | 5.00  | 0.197 |
| 0.80       | 0.031 | 5.08  | 0.200 |
| 0.90       | 0.035 | 6.50  | 0.256 |
| 1.00       | 0.039 | 8.10  | 0.319 |
| 1.80       | 0.071 | 9.00  | 0.354 |
| 2.50       | 0.098 | 10.00 | 0.394 |
| 2.70       | 0.106 | 10.50 | 0.413 |
| 3.00       | 0.118 | 12.50 | 0.492 |
| 3.50       | 0.138 | 13.50 | 0.531 |
| 4.00       | 0.157 | 15.24 | 0.600 |
| 4.40       | 0.173 | 19.00 | 0.748 |





## AKZ350 Front Wire Entry

Pin Spacing 5.08mm (.200)  
Stripping Length 6mm (.236)  
Screw Hole Diameter 3.5mm (.138)

| Wire Range             | Current | Voltage |
|------------------------|---------|---------|
| 0.5-2.5mm <sup>2</sup> | 16A     | 250V    |
| 22-12 AWG              | 16A     | 300V    |
| 28-14 AWG              | 16A     | 300V    |

| Type      | Cat. No. | Length L<br>mm (in.) | Std. Pk. |
|-----------|----------|----------------------|----------|
| AKZ350/2  | 32.052   | 10.16 (.40)          | 100      |
| AKZ350/3  | 32.053   | 15.24 (.60)          | 100      |
| AKZ350/4  | 32.054   | 20.32 (.80)          | 50       |
| AKZ350/5  | 32.055   | 25.40 (1.00)         | 50       |
| AKZ350/6  | 32.056   | 30.48 (1.20)         | 50       |
| AKZ350/7  | 32.057   | 35.56 (1.40)         | 30       |
| AKZ350/8  | 32.058   | 40.64 (1.60)         | 30       |
| AKZ350/9  | 32.059   | 45.72 (1.80)         | 30       |
| AKZ350/10 | 32.060   | 50.80 (2.00)         | 30       |
| AKZ350/11 | 32.061   | 55.88 (2.20)         | 20       |
| AKZ350/12 | 32.062   | 60.96 (2.40)         | 20       |
| AKZ350/13 | 32.063   | 66.04 (2.60)         | 20       |
| AKZ350/14 | 32.064   | 71.12 (2.80)         | 20       |
| AKZ350/15 | 32.065   | 76.20 (3.00)         | 20       |
| AKZ350/16 | 32.066   | 81.28 (3.20)         | 15       |
| AKZ350/17 | 32.067   | 86.36 (3.40)         | 15       |
| AKZ350/18 | 32.068   | 91.44 (3.60)         | 15       |
| AKZ350/19 | 32.069   | 96.52 (3.80)         | 15       |
| AKZ350/20 | 32.070   | 101.60 (4.00)        | 15       |
| AKZ350/21 | 32.071   | 106.68 (4.20)        | 10       |
| AKZ350/22 | 32.072   | 111.76 (4.40)        | 10       |
| AKZ350/23 | 32.073   | 116.84 (4.60)        | 10       |
| AKZ350/24 | 32.074   | 121.92 (4.80)        | 10       |



## AKZ351 Front Wire Entry

Pin Spacing 5.08mm (.200)  
Stripping Length 6mm (.236)  
Screw Hole Diameter 3.5mm (.138)

| Wire Range             | Current | Voltage |
|------------------------|---------|---------|
| 0.5-2.5mm <sup>2</sup> | 16A     | 250V    |
| 22-12 AWG              | 16A     | 300V    |
| 28-14 AWG              | 16A     | 300V    |

| Type      | Cat. No. | Length L<br>mm (in.) | Std. Pk. |
|-----------|----------|----------------------|----------|
| AKZ351/2  | 33.052   | 10.16 (.40)          | 100      |
| AKZ351/3  | 33.053   | 15.24 (.60)          | 100      |
| AKZ351/4  | 33.054   | 20.32 (.80)          | 50       |
| AKZ351/5  | 33.055   | 25.40 (1.00)         | 50       |
| AKZ351/6  | 33.056   | 30.48 (1.20)         | 50       |
| AKZ351/7  | 33.057   | 35.56 (1.40)         | 30       |
| AKZ351/8  | 33.058   | 40.64 (1.60)         | 30       |
| AKZ351/9  | 33.059   | 45.72 (1.80)         | 30       |
| AKZ351/10 | 33.060   | 50.80 (2.00)         | 30       |
| AKZ351/11 | 33.061   | 55.88 (2.20)         | 20       |
| AKZ351/12 | 33.062   | 60.96 (2.40)         | 20       |
| AKZ351/13 | 33.063   | 66.04 (2.60)         | 20       |
| AKZ351/14 | 33.064   | 71.14 (2.80)         | 20       |
| AKZ351/15 | 33.065   | 76.20 (3.00)         | 20       |
| AKZ351/16 | 33.066   | 81.28 (3.20)         | 15       |
| AKZ351/17 | 33.067   | 86.36 (3.40)         | 15       |
| AKZ351/18 | 33.068   | 91.44 (3.60)         | 15       |
| AKZ351/19 | 33.069   | 96.52 (3.80)         | 15       |
| AKZ351/20 | 33.070   | 101.60 (4.00)        | 15       |
| AKZ351/21 | 33.071   | 106.68 (4.20)        | 10       |
| AKZ351/22 | 33.072   | 111.76 (4.40)        | 10       |
| AKZ351/23 | 33.073   | 116.84 (4.60)        | 10       |
| AKZ351/24 | 33.074   | 121.92 (4.80)        | 10       |

Test probe slot openings on back  
for access to pins

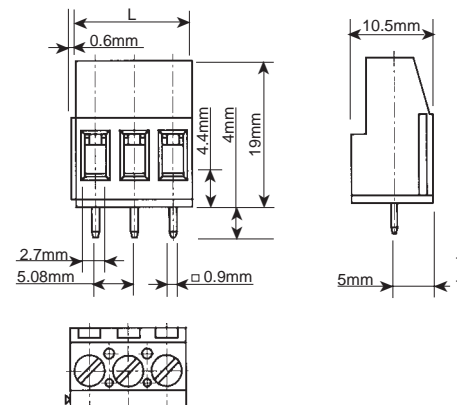
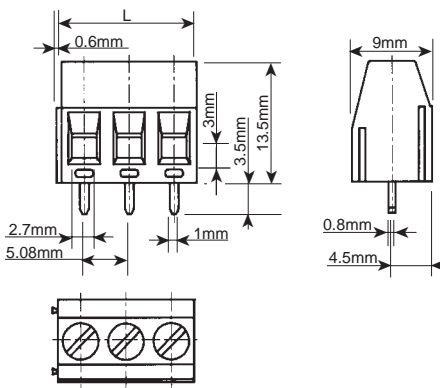
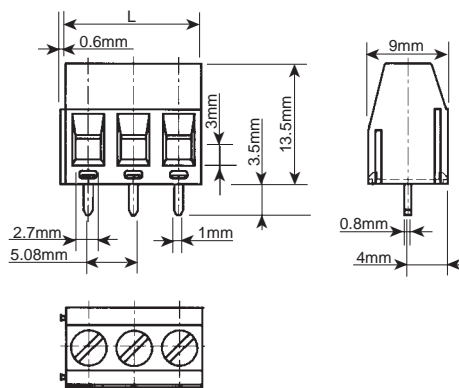


## AKZ700 Front Wire Entry

Pin Spacing 5.08mm (.200)  
Stripping Length 8mm (.315)  
Screw Hole Diameter 3mm (.118)

| Wire Range           | Current | Voltage |
|----------------------|---------|---------|
| 0.5-4mm <sup>2</sup> | 16A     | 250V    |
| 22-12 AWG            | 15A     | 300V    |
| 22-12 AWG            | 15A     | 300V    |

| Type      | Cat. No. | Length L<br>mm (in.) | Std. Pk. |
|-----------|----------|----------------------|----------|
| AKZ700/2  | 30.852   | 10.16 (.40)          | 100      |
| AKZ700/3  | 30.853   | 15.24 (.60)          | 100      |
| AKZ700/4  | 30.854   | 20.32 (.80)          | 50       |
| AKZ700/5  | 30.855   | 25.40 (1.00)         | 50       |
| AKZ700/6  | 30.856   | 30.48 (1.20)         | 50       |
| AKZ700/7  | 30.857   | 35.56 (1.40)         | 30       |
| AKZ700/8  | 30.858   | 40.64 (1.60)         | 30       |
| AKZ700/9  | 30.859   | 45.72 (1.80)         | 30       |
| AKZ700/10 | 30.860   | 50.80 (2.00)         | 30       |
| AKZ700/11 | 30.861   | 55.88 (2.20)         | 20       |
| AKZ700/12 | 30.862   | 60.96 (2.40)         | 20       |
| AKZ700/13 | 30.863   | 66.04 (2.60)         | 20       |
| AKZ700/14 | 30.864   | 71.12 (2.80)         | 20       |
| AKZ700/15 | 30.865   | 76.20 (3.00)         | 20       |
| AKZ700/16 | 30.866   | 81.28 (3.20)         | 15       |
| AKZ700/17 | 30.867   | 86.36 (3.40)         | 15       |
| AKZ700/18 | 30.868   | 91.44 (3.60)         | 15       |
| AKZ700/19 | 30.869   | 96.52 (3.80)         | 15       |
| AKZ700/20 | 30.870   | 101.60 (4.00)        | 15       |
| AKZ700/21 | 30.871   | 106.68 (4.20)        | 10       |
| AKZ700/22 | 30.872   | 111.76 (4.40)        | 10       |
| AKZ700/23 | 30.873   | 116.84 (4.60)        | 10       |
| AKZ700/24 | 30.874   | 121.92 (4.80)        | 10       |



# FIXED PRINTED CIRCUIT DOUBLE AND SINGLE LEVEL US Pin Spacing<sup>a</sup> Screw-Cage Clamp

For wire-to-board connections in industrial applications and where frequent wire terminations occur.

Use Double Level where space requirements call for high density wiring.

- Multipole, Modular Design
- Housing Material: Polyamide 6.6
- Standard Color: Green

<sup>a</sup>Blocks with metric pin spacing begin on page 132.



**AKZ705**  
Top Wire Entry

Pin Spacing 5.08mm (.200)  
Stripping Length 8mm (.315)  
Screw Hole Diameter 3mm (.118)



**AKZ750**  
Front Wire Entry

Pin Spacing 5.08mm (.200)  
Stripping Length 8mm (.315)  
Screw Hole Diameter 4mm (.158)

**Ratings**

IEC/VDE  
UL (File No. E101811)  
CSA (File No. LR68503)

| Wire Range           | Current | Voltage |
|----------------------|---------|---------|
| 0.5-4mm <sup>2</sup> | 16A     | 250V    |
| 22-12 AWG            | 15A     | 300V    |
| 22-12 AWG            | 15A     | 300V    |

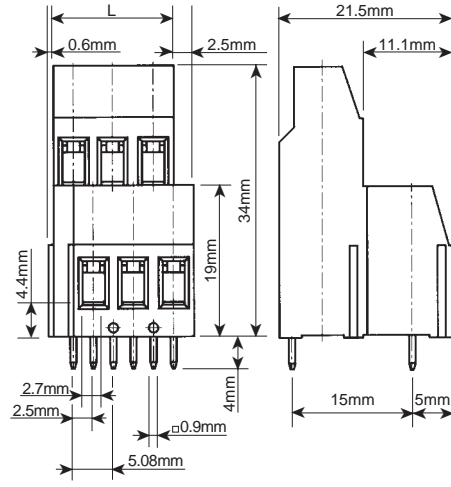
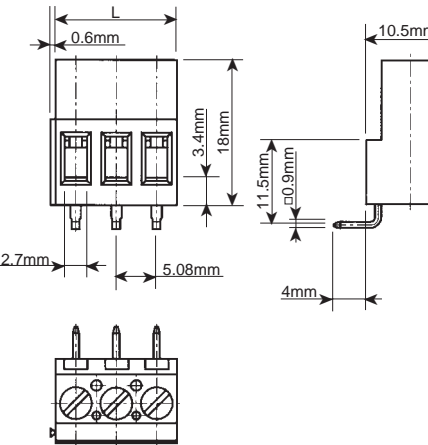
| Wire Range           | Current | Voltage |
|----------------------|---------|---------|
| 0.5-4mm <sup>2</sup> | 16A     | 250V    |
| 22-12 AWG            | 15A     | 300V    |
| 22-12 AWG            | 15A     | 300V    |

| Ordering Information                     | No. of Poles |           | Type      | Cat. No.      | Length L<br>mm (in.) | Std. Pk. |
|--|--------------|-----------|-----------|---------------|----------------------|----------|
|  | AKZ750       | AKZ850    |           |               |                      |          |
| Terminal Block,<br>US (Inch) Pin Spacing | 4            | 2         | AKZ705/2  | 35.152        | 10.16 (.40)          | 100      |
|  | 6            | 3         | AKZ705/3  | 35.153        | 15.24 (.60)          | 100      |
|  | 8            | 4         | AKZ705/4  | 35.154        | 20.32 (.80)          | 50       |
|  | 10           | 5         | AKZ705/5  | 35.155        | 25.40 (1.00)         | 50       |
|  | 12           | 6         | AKZ705/6  | 35.156        | 30.48 (1.20)         | 50       |
|  | 14           | 7         | AKZ705/7  | 35.157        | 35.56 (1.40)         | 30       |
|  | 16           | 8         | AKZ705/8  | 35.158        | 40.64 (1.60)         | 30       |
|  | 18           | 9         | AKZ705/9  | 35.159        | 45.72 (1.80)         | 30       |
|  | 20           | 10        | AKZ705/10 | 35.160        | 50.80 (2.00)         | 30       |
|  | 22           | 11        | AKZ705/11 | 35.161        | 55.88 (2.20)         | 20       |
|  | 24           | 12        | AKZ705/12 | 35.162        | 60.96 (2.40)         | 20       |
|  | 26           | 13        | AKZ705/13 | 35.163        | 66.04 (2.60)         | 20       |
|  | 28           | 14        | AKZ705/14 | 35.164        | 71.12 (2.80)         | 20       |
|  | 30           | 15        | AKZ705/15 | 35.165        | 76.20 (3.00)         | 20       |
|  | 32           | 16        | AKZ705/16 | 35.166        | 81.28 (3.20)         | 15       |
|  | 34           | 17        | AKZ705/17 | 35.167        | 86.36 (3.40)         | 15       |
|  | 36           | 18        | AKZ705/18 | 35.168        | 91.44 (3.60)         | 15       |
|  | 38           | 19        | AKZ705/19 | 35.169        | 96.52 (3.80)         | 15       |
|  | 40           | 20        | AKZ705/20 | 35.170        | 101.60 (4.00)        | 15       |
| 42                                       | 21           | AKZ705/21 | 35.171    | 106.68 (4.20) | 10                   |          |
| 44                                       | 22           | AKZ705/22 | 35.172    | 111.76 (4.40) | 10                   |          |
| 46                                       | 23           | AKZ705/23 | 35.173    | 116.84 (4.60) | 10                   |          |
| 48                                       | 24           | AKZ705/24 | 35.174    | 121.92 (4.80) | 10                   |          |
| 50                                       |              |           |           |               |                      |          |

| Type      | Cat. No. | Length L<br>mm (in.) | Std. Pk. |
|-----------|----------|----------------------|----------|
| AKZ750/4  | 34.004   | 12.70 (.50)          | 50       |
| AKZ750/6  | 34.006   | 17.78 (.70)          | 50       |
| AKZ750/8  | 34.008   | 22.86 (.90)          | 25       |
| AKZ750/10 | 34.010   | 27.94 (1.10)         | 25       |
| AKZ750/12 | 34.012   | 33.02 (1.30)         | 25       |
| AKZ750/14 | 34.014   | 38.10 (1.50)         | 15       |
| AKZ750/16 | 34.016   | 43.18 (1.70)         | 15       |
| AKZ750/18 | 34.018   | 48.26 (1.90)         | 15       |
| AKZ750/20 | 34.020   | 53.34 (2.10)         | 15       |
| AKZ750/22 | 34.022   | 58.42 (2.30)         | 10       |
| AKZ750/24 | 34.024   | 63.50 (2.50)         | 10       |
| AKZ750/26 | 34.026   | 68.58 (2.70)         | 10       |
| AKZ750/28 | 34.028   | 73.66 (2.90)         | 10       |
| AKZ750/30 | 34.030   | 78.74 (3.10)         | 10       |
| AKZ750/32 | 34.032   | 83.82 (3.30)         | 10       |
| AKZ750/34 | 34.034   | 88.90 (3.50)         | 10       |
| AKZ750/36 | 34.036   | 93.98 (3.70)         | 10       |
| AKZ750/38 | 34.038   | 99.06 (3.90)         | 10       |
| AKZ750/40 | 34.040   | 104.14 (4.10)        | 5        |
| AKZ750/42 | 34.042   | 109.22 (4.30)        | 5        |
| AKZ750/44 | 34.044   | 114.30 (4.50)        | 5        |
| AKZ750/46 | 34.046   | 119.38 (4.70)        | 5        |
| AKZ750/48 | 34.048   | 124.46 (4.90)        | 5        |
| AKZ750/50 | 34.050   | 129.54 (5.10)        | 5        |

| Type      | Cat. No. | Length L<br>mm (in.) | Std. Pk. |
|-----------|----------|----------------------|----------|
| AKZ750/4  | 34.004   | 12.70 (.50)          | 50       |
| AKZ750/6  | 34.006   | 17.78 (.70)          | 50       |
| AKZ750/8  | 34.008   | 22.86 (.90)          | 25       |
| AKZ750/10 | 34.010   | 27.94 (1.10)         | 25       |
| AKZ750/12 | 34.012   | 33.02 (1.30)         | 25       |
| AKZ750/14 | 34.014   | 38.10 (1.50)         | 15       |
| AKZ750/16 | 34.016   | 43.18 (1.70)         | 15       |
| AKZ750/18 | 34.018   | 48.26 (1.90)         | 15       |
| AKZ750/20 | 34.020   | 53.34 (2.10)         | 15       |
| AKZ750/22 | 34.022   | 58.42 (2.30)         | 10       |
| AKZ750/24 | 34.024   | 63.50 (2.50)         | 10       |
| AKZ750/26 | 34.026   | 68.58 (2.70)         | 10       |
| AKZ750/28 | 34.028   | 73.66 (2.90)         | 10       |
| AKZ750/30 | 34.030   | 78.74 (3.10)         | 10       |
| AKZ750/32 | 34.032   | 83.82 (3.30)         | 10       |
| AKZ750/34 | 34.034   | 88.90 (3.50)         | 10       |
| AKZ750/36 | 34.036   | 93.98 (3.70)         | 10       |
| AKZ750/38 | 34.038   | 99.06 (3.90)         | 10       |
| AKZ750/40 | 34.040   | 104.14 (4.10)        | 5        |
| AKZ750/42 | 34.042   | 109.22 (4.30)        | 5        |
| AKZ750/44 | 34.044   | 114.30 (4.50)        | 5        |
| AKZ750/46 | 34.046   | 119.38 (4.70)        | 5        |
| AKZ750/48 | 34.048   | 124.46 (4.90)        | 5        |
| AKZ750/50 | 34.050   | 129.54 (5.10)        | 5        |

| Dimensions |       |       |       |
|------------|-------|-------|-------|
| mm         | in.   | mm    | in.   |
| 0.60       | 0.024 | 10.16 | 0.400 |
| 0.90       | 0.035 | 10.50 | 0.413 |
| 2.50       | 0.098 | 11.10 | 0.437 |
| 2.70       | 0.106 | 11.50 | 0.453 |
| 3.40       | 0.134 | 15.00 | 0.591 |
| 4.00       | 0.157 | 18.00 | 0.709 |
| 4.40       | 0.173 | 19.00 | 0.748 |
| 5.00       | 0.197 | 21.50 | 0.846 |
| 5.08       | 0.200 | 34.00 | 1.339 |
| 7.62       | 0.300 |       |       |







## AKZ710 Front Wire Entry

Pin Spacing 7.62mm (.300)  
Stripping Length 8mm (.315)  
Screw Hole Diameter 3.5mm (.138)

| Wire Range           | Current | Voltage |
|----------------------|---------|---------|
| 0.5-4mm <sup>2</sup> | 16A     | 500V    |
| 22-12 AWG            | 15A     | 300V    |
| 22-12AWG             | 15A     | 300V    |

| Type      | Cat. No. | Length L<br>mm (in.) | Std. Pk. |
|-----------|----------|----------------------|----------|
| AKZ710/2  | 31.702   | 15.24 (.60)          | 100      |
| AKZ710/3  | 31.703   | 22.86 (.90)          | 100      |
| AKZ710/4  | 31.704   | 30.48 (1.20)         | 50       |
| AKZ710/5  | 31.705   | 38.10 (1.50)         | 50       |
| AKZ710/6  | 31.706   | 45.72 (1.80)         | 50       |
| AKZ710/7  | 31.707   | 53.34 (2.10)         | 30       |
| AKZ710/8  | 31.708   | 60.96 (2.40)         | 30       |
| AKZ710/9  | 31.709   | 68.58 (2.70)         | 30       |
| AKZ710/10 | 31.710   | 76.20 (3.00)         | 30       |
| AKZ710/11 | 31.711   | 83.82 (3.30)         | 20       |
| AKZ710/12 | 31.712   | 91.44 (3.60)         | 20       |
| AKZ710/13 | 31.713   | 99.06 (3.90)         | 20       |
| AKZ710/14 | 31.714   | 106.68 (4.20)        | 20       |
| AKZ710/15 | 31.715   | 114.30 (4.50)        | 20       |



## AKZ800 Front Wire Entry

Pin Spacing 10.16mm (.400)  
Stripping Length 8mm (.315)  
Screw Hole Diameter 3.5mm (.138)

| Wire Range           | Current | Voltage |
|----------------------|---------|---------|
| 0.5-4mm <sup>2</sup> | 16A     | 630V    |
| 22-12 AWG            | 15A     | 300V    |
| 22-12 AWG            | 15A     | 300V    |

| Type      | Cat. No. | Length L<br>mm (in.) | Std. Pk. |
|-----------|----------|----------------------|----------|
| AKZ800/2  | 39.152   | 15.24 (.60)          | 100      |
| AKZ800/3  | 39.153   | 25.40 (1.00)         | 50       |
| AKZ800/4  | 39.154   | 35.56 (1.40)         | 30       |
| AKZ800/5  | 39.155   | 45.72 (1.80)         | 30       |
| AKZ800/6  | 39.156   | 55.88 (2.20)         | 20       |
| AKZ800/7  | 39.157   | 66.04 (2.60)         | 20       |
| AKZ800/8  | 39.158   | 76.20 (3.00)         | 20       |
| AKZ800/9  | 39.159   | 86.36 (3.40)         | 15       |
| AKZ800/10 | 39.160   | 96.52 (3.80)         | 15       |
| AKZ800/11 | 39.161   | 106.68 (4.20)        | 10       |
| AKZ800/12 | 39.162   | 116.84 (4.60)        | 10       |

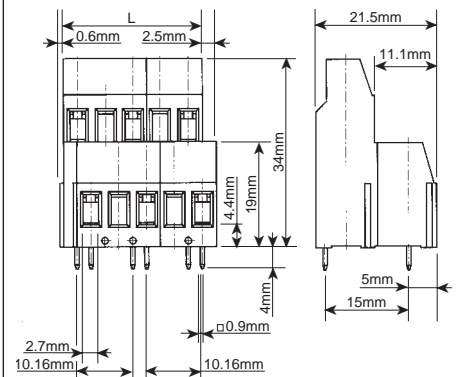
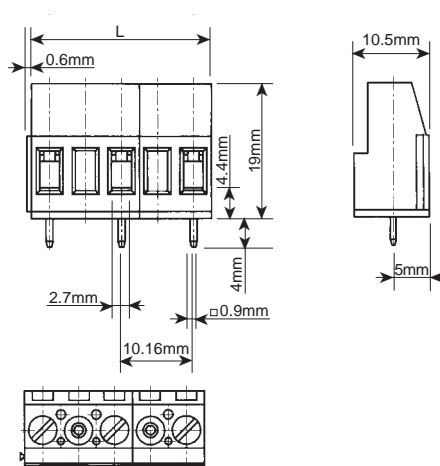
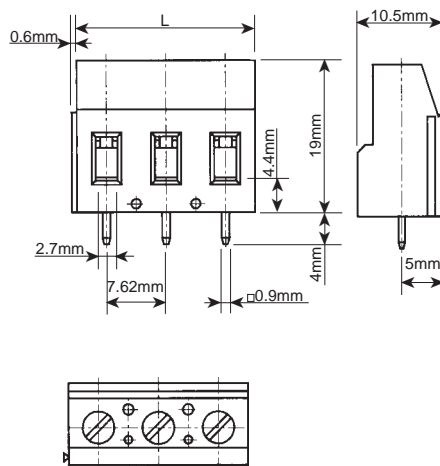


## AKZ850 Front Wire Entry

Pin Spacing 10.16mm (.400)  
Stripping Length 8mm (.315)  
Screw Hole Diameter 4mm (.158)

| Wire Range           | Current | Voltage |
|----------------------|---------|---------|
| 0.5-4mm <sup>2</sup> | 16A     | 630V    |
| 22-12 AWG            | 15A     | 300V    |
| 22-12 AWG            | 15A     | 300V    |

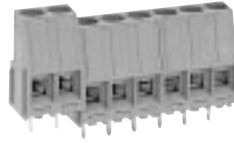
| Type      | Cat. No. | Length L<br>mm (in.) | Std. Pk. |
|-----------|----------|----------------------|----------|
| AKZ850/4  | 34.754   | 17.78 (.70)          | 50       |
| AKZ850/6  | 34.756   | 27.94 (1.10)         | 25       |
| AKZ850/8  | 34.758   | 38.10 (1.50)         | 15       |
| AKZ850/10 | 34.760   | 48.26 (1.90)         | 15       |
| AKZ850/12 | 34.762   | 58.42 (2.30)         | 10       |
| AKZ850/14 | 34.764   | 68.58 (2.70)         | 10       |
| AKZ850/16 | 34.766   | 78.74 (3.10)         | 10       |
| AKZ850/18 | 34.768   | 88.90 (3.50)         | 10       |
| AKZ850/20 | 34.770   | 99.06 (3.90)         | 10       |
| AKZ850/22 | 34.772   | 109.22 (4.30)        | 10       |
| AKZ850/24 | 34.774   | 119.38 (4.70)        | 10       |



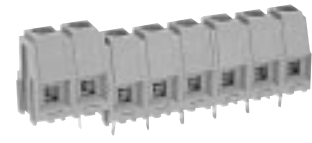
# FIXED PRINTED CIRCUIT HIGH CURRENT US Pin Spacing<sup>a</sup> Screw Cage Clamp

For wire to board connections in AC power applications where a high current connection (up to 30 Amps) is required and where frequent terminations occur. Popular 1/4" and 3/8" pin spacings provide replacements for outdated PC board barrier strips.

- Multipole, Modular Design
- Housing Material: Polyamide 6.6
- Standard Color: Green



**AKZ840**  
Front Wire Entry



**AKZ841**  
Front Wire Entry

<sup>a</sup>Blocks with metric pin spacing begin on page 132.

Pin Spacing 6.35mm (.250)  
Stripping Length 8mm (.315)  
Screw Hole Diameter 5.5mm (.217)

Pin Spacing 9.52mm (.375)  
Stripping Length 8mm (.315)  
Screw Hole Diameter 5.5mm (.217)

| Ratings<br>IEC/VDE | Wire Range           | Current | Voltage | Wire Range           | Current | Voltage |
|--------------------|----------------------|---------|---------|----------------------|---------|---------|
|                    | 0.5-4mm <sup>2</sup> | 32A     | 500V    | 0.5-4mm <sup>2</sup> | 32A     | 630V    |
|                    | 28-10 AWG            | 30A     | 300V    | 28-10 AWG            | 30A     | 300V    |
|                    | 22-10 AWG            | 30A     | 300V    | 22-10 AWG            | 30A     | 300V    |

| Ordering Information                             | No. of Poles | Type      | Cat. No.      | Length L<br>mm (in.) | Std. Pk. | Type      | Cat. No.      | Length L<br>mm (in.) | Std. Pk. |
|--|--------------|-----------|---------------|----------------------|----------|-----------|---------------|----------------------|----------|
| <b>Terminal Block,<br/>US (Inch) Pin Spacing</b> | <b>2</b>     | AKZ840/2  | <b>35.302</b> | 12.70 (.50)          | 100      | AKZ841/2  | <b>35.352</b> | 19.00 (.75)          | 100      |
|  | <b>3</b>     | AKZ840/3  | <b>35.303</b> | 19.00 (.75)          | 100      | AKZ841/3  | <b>35.353</b> | 28.45 (1.12)         | 100      |
|  | <b>4</b>     | AKZ840/4  | <b>35.304</b> | 25.40 (1.00)         | 50       | AKZ841/4  | <b>35.354</b> | 38.00 (1.50)         | 25       |
|  | <b>5</b>     | AKZ840/5  | <b>35.305</b> | 31.70 (1.25)         | 50       | AKZ841/5  | <b>35.355</b> | 47.45 (1.87)         | 25       |
|  | <b>6</b>     | AKZ840/6  | <b>35.306</b> | 38.00 (1.50)         | 50       | AKZ841/6  | <b>35.356</b> | 56.90 (2.24)         | 25       |
|  | <b>7</b>     | AKZ840/7  | <b>35.307</b> | 44.40 (1.75)         | 30       | AKZ841/7  | <b>35.357</b> | 66.45 (2.61)         | 15       |
|  | <b>8</b>     | AKZ840/8  | <b>35.308</b> | 50.70 (2.00)         | 30       | AKZ841/8  | <b>35.358</b> | 75.90 (2.99)         | 15       |
|  | <b>9</b>     | AKZ840/9  | <b>35.309</b> | 57.00 (2.25)         | 30       | AKZ841/9  | <b>35.359</b> | 85.35 (3.36)         | 15       |
|  | <b>10</b>    | AKZ840/10 | <b>35.310</b> | 63.40 (2.50)         | 30       | AKZ841/10 | <b>35.360</b> | 94.90 (3.74)         | 15       |
|  | <b>11</b>    | AKZ840/11 | <b>35.311</b> | 69.70 (2.75)         | 20       | AKZ841/11 | <b>35.361</b> | 104.35 (4.11)        | 10       |
|  | <b>12</b>    | AKZ840/12 | <b>35.312</b> | 76.00 (3.00)         | 20       | AKZ841/12 | <b>35.362</b> | 113.80 (4.48)        | 10       |
|  | <b>13</b>    | AKZ840/13 | <b>35.313</b> | 82.40 (3.25)         | 20       | AKZ841/13 | <b>35.363</b> | 123.35 (4.86)        | 10       |
|  | <b>14</b>    | AKZ840/14 | <b>35.314</b> | 88.70 (3.50)         | 20       | AKZ841/14 | <b>35.364</b> | 132.80 (5.23)        | 10       |
|  | <b>15</b>    | AKZ840/15 | <b>35.315</b> | 95.00 (3.75)         | 20       | AKZ841/15 | <b>35.365</b> | 142.25 (5.60)        | 10       |
|  | <b>16</b>    | AKZ840/16 | <b>35.316</b> | 101.40 (4.00)        | 20       | AKZ841/16 | <b>35.366</b> | 151.80 (5.98)        | 10       |



| Dimensions |      |       |      |
|------------|------|-------|------|
| mm         | in.  | mm    | in.  |
| 0.60       | .024 | 6.35  | .25  |
| 0.80       | .031 | 8.00  | .314 |
| 0.95       | .037 | 9.52  | .374 |
| 3.50       | .138 | 12.50 | .492 |
| 5.00       | .196 | 22.30 | .877 |
| 5.30       | .208 | 23.5  | .925 |

## FIXED PRINTED CIRCUIT US Pin Spacing<sup>a</sup> Dual Pin Screwless Spring Clamp

Choose from 3 methods of clamp actuation:

Type AK(Z)3000 - Insert a small screwdriver with a tip width up to 3mm (approx. 1/8") into slot in housing and push to open clamp.

Type AK(Z)3001KD - Push on grooved lever with screwdriver to open clamp.

Type AK(Z)3001FD - Simply push flat lever with finger to open clamp.

- Interlocking Sectional Design
- Stainless Steel Spring
- Front to Rear Pin Spacing, 5mm (.197 in.)
- Multipole Assemblies Supplied with End Plate Installed.
- Housing Material: Polyamide 6.6
- Standard Color: Light Gray

<sup>a</sup>Blocks with metric pin spacing begin on page 132.



**AK(Z)3000**  
45° Wire Entry  
Without Lever

Pin Spacing 5.08mm (.200)<sup>d</sup>  
Stripping Length 6mm (.236)




**AK(Z)3001KD**  
45° Wire Entry  
With Grooved Push Lever



**AK(Z)3001FD**  
45° Wire Entry  
With Flat Push Lever

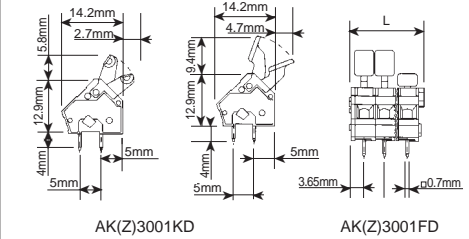
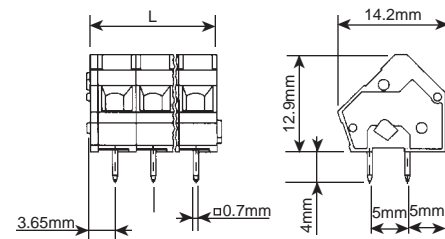
Pin Spacing 5.08mm (.200)<sup>e</sup>  
Stripping Length 6mm (.236)

| Ratings<br>IEC/VDE<br> | Wire Range             | Current | Voltage | Wire Range             | Current | Voltage |
|---|------------------------|---------|---------|------------------------|---------|---------|
|   | 0.5-2.5mm <sup>2</sup> | 10A     | 250V    | 0.5-2.5mm <sup>2</sup> | 10A     | 250V    |
|   | 28-14 AWG              | 15A     | 300V    | 28-14 AWG              | 15A     | 300V    |
|   | 28-14 AWG              | 15A     | 300V    | 28-14 AWG              | 15A     | 300V    |

| Ordering Information                                  | No. of Poles <sup>c</sup> | Type                           | Cat. No. | Length L<br>mm (in.) | Std. Pk.         | Type           | Cat. No. | Length L<br>mm (in.) | Std. Pk.         |
|---|---------------------------|--------------------------------|----------|----------------------|------------------|----------------|----------|----------------------|------------------|
| <b>Terminal Block,<br/>US (Inch) Pin Spacing</b>      |                           | <b>With Grooved Push Lever</b> |          |                      |                  |                |          |                      |                  |
| 2 through 12 pole assemblies<br>include one end plate | 1 <sup>b</sup>            | AK(Z)3000/1                    | 32.101   | 7.20 (.28)           | 200 <sup>b</sup> | AK(Z)3001KD/1  | 32.201   | 7.90 (.31)           | 200 <sup>b</sup> |
|   | 2                         | AK(Z)3000/2                    | 32.102   | 12.20 (.48)          | 100              | AK(Z)3001KD/2  | 32.202   | 12.90 (.50)          | 100              |
|   | 3                         | AK(Z)3000/3                    | 32.103   | 17.20 (.67)          | 100              | AK(Z)3000KD/3  | 32.203   | 17.90 (.70)          | 100              |
|   | 4                         | AK(Z)3000/4                    | 32.104   | 22.20 (.87)          | 50               | AK(Z)3001KD/4  | 32.204   | 22.90 (.90)          | 50               |
|   | 5                         | AK(Z)3000/5                    | 32.105   | 27.20 (1.07)         | 50               | AK(Z)3001KD/5  | 32.205   | 27.90 (1.10)         | 50               |
|   | 6                         | AK(Z)3000/6                    | 32.106   | 32.20 (1.28)         | 50               | AK(Z)3001KD/6  | 32.206   | 32.90 (1.30)         | 50               |
|   | 7                         | AK(Z)3000/7                    | 32.107   | 37.20 (1.46)         | 30               | AK(Z)3001KD/7  | 32.207   | 37.90 (1.49)         | 30               |
|   | 8                         | AK(Z)3000/8                    | 32.108   | 42.20 (1.66)         | 30               | AK(Z)3001KD/8  | 32.208   | 42.90 (1.69)         | 30               |
|   | 9                         | AK(Z)3000/9                    | 32.109   | 47.20 (1.85)         | 30               | AK(Z)3001KD/9  | 32.209   | 47.90 (1.89)         | 30               |
|   | 10                        | AK(Z)3000/10                   | 32.110   | 52.20 (2.25)         | 30               | AK(Z)3001KD/10 | 32.210   | 52.90 (2.08)         | 30               |
|   | 11                        | AK(Z)3000/11                   | 32.111   | 57.20 (2.25)         | 20               | AK(Z)3001KD/11 | 32.211   | 57.90 (2.28)         | 20               |
|   | 12                        | AK(Z)3000/12                   | 32.112   | 62.20 (2.44)         | 20               | AK(Z)3001KD/12 | 32.212   | 62.90 (2.44)         | 20               |
| <b>Terminal Block,<br/>US (Inch) Pin Spacing</b>      |                           | <b>With Flat Push Lever</b>    |          |                      |                  |                |          |                      |                  |
| 2 through 12 pole assemblies<br>include one end plate | 1 <sup>b</sup>            | AK(Z)3001FD/1                  | 32.301   | 7.90 (.31)           | 200 <sup>b</sup> | AK(Z)3001FD/1  | 32.301   | 7.90 (.31)           | 200 <sup>b</sup> |
|   | 2                         | AK(Z)3001FD/2                  | 32.302   | 12.90 (.50)          | 100              | AK(Z)3001FD/2  | 32.302   | 12.90 (.50)          | 100              |
|   | 3                         | AK(Z)3001FD/3                  | 32.303   | 17.90 (.70)          | 100              | AK(Z)3001FD/3  | 32.303   | 17.90 (.70)          | 100              |
|   | 4                         | AK(Z)3001FD/4                  | 32.304   | 22.90 (.90)          | 50               | AK(Z)3001FD/4  | 32.304   | 22.90 (.90)          | 50               |
|   | 5                         | AK(Z)3001FD/5                  | 32.305   | 27.90 (1.10)         | 50               | AK(Z)3001FD/5  | 32.305   | 27.90 (1.10)         | 50               |
|   | 6                         | AK(Z)3001FD/6                  | 32.306   | 32.90 (1.30)         | 50               | AK(Z)3001FD/6  | 32.306   | 32.90 (1.30)         | 50               |
|   | 7                         | AK(Z)3001FD/7                  | 32.307   | 37.90 (1.49)         | 30               | AK(Z)3001FD/7  | 32.307   | 37.90 (1.49)         | 30               |
|   | 8                         | AK(Z)3001FD/8                  | 32.308   | 42.90 (1.69)         | 30               | AK(Z)3001FD/8  | 32.308   | 42.90 (1.69)         | 30               |
|   | 9                         | AK(Z)3001FD/9                  | 32.309   | 47.90 (1.89)         | 30               | AK(Z)3001FD/9  | 32.309   | 47.90 (1.89)         | 30               |
|   | 10                        | AK(Z)3001FD/10                 | 32.310   | 52.90 (2.08)         | 30               | AK(Z)3001FD/10 | 32.310   | 52.90 (2.08)         | 30               |
|   | 11                        | AK(Z)3001FD/11                 | 32.311   | 57.90 (2.28)         | 20               | AK(Z)3001FD/11 | 32.311   | 57.90 (2.28)         | 20               |
|   | 12                        | AK(Z)3001FD/12                 | 32.312   | 62.90 (2.44)         | 20               | AK(Z)3001FD/12 | 32.312   | 62.90 (2.44)         | 20               |
| <b>End Plate</b>                                      |                           | AP3000                         | 32.100   |                      | 50               | AP3001         | 32.200   |                      | 50               |

| Dimensions |       |       |       |
|------------|-------|-------|-------|
| mm         | in.   | mm    | in.   |
| 0.70       | 0.028 | 5.80  | 0.228 |
| 2.70       | 0.106 | 9.40  | 0.370 |
| 3.65       | 0.144 | 12.90 | 0.508 |
| 4.00       | 0.157 | 14.20 | 0.559 |
| 4.70       | 0.185 |       |       |
| 5.00       | 0.197 |       |       |



<sup>b</sup> Supplied as 50 pole break apart assemblies, includes one end plate. Order additional end plates separately  
<sup>c</sup> Up to 50 poles available, please consult Altech

<sup>d</sup> 5mm (.197") nominal pin spacing is adjustable to 5.08mm (.200")

<sup>e</sup> 5mm (.197") nominal pin spacing is adjustable to 5.08mm (.200")



# PLUGGABLE PRINTED CIRCUIT US Pin Spacing<sup>a</sup> Tubular Screw Clamp Plug

For plug-in applications where infrequent wire-to-board connections are made and a very cost effective pluggable terminal block is needed.

Multipole assemblies are offered in modular interlocking or single mold construction up to 6 poles. While modular construction reduces and simplifies inventory, the single mold design provides maximum strength.

- Modular or Single Mold Design
- Wire Protector Standard
- Housing Material: Polyamide 6.6
- Standard Color: Gray

<sup>a</sup>Blocks with metric pin spacing begin on page 132.



## AK(Z)130 Modular Plug

Pole Spacing 5mm (.197)<sup>b</sup>  
Stripping Length 6mm (.236)  
Screw Hole Diameter 3.5mm (.138)

Use with STL(Z)130, STZ(Z)132, STL(Z)140 Headers



## AK(Z)132 Single Mold Plug

Pole Spacing 5mm (.197)<sup>d</sup>  
Stripping Length 6mm (.236)  
Screw Hole Diameter 3.5mm (.138)

Use with STL(Z)130, STZ(Z)132, STL(Z)140 Headers

### Ratings

IEC/VDE

(File No. E101811)

(File No. LR68503)

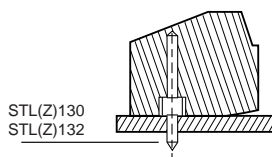
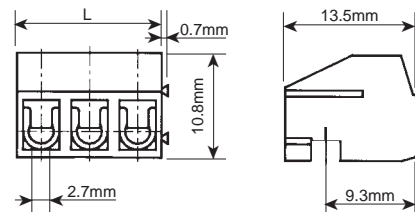
| Wire Range             | Current | Voltage |
|------------------------|---------|---------|
| 0.5-1.5mm <sup>2</sup> | 10A     | 250V    |
| 22-14 AWG              | 10A     | 300V    |
| 22-14 AWG              | 10A     | 300V    |

| Wire Range             | Current | Voltage |
|------------------------|---------|---------|
| 0.5-1.5mm <sup>2</sup> | 10A     | 250V    |
| 22-14 AWG              | 10A     | 300V    |
| 22-14 AWG              | 10A     | 300V    |

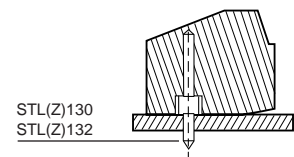
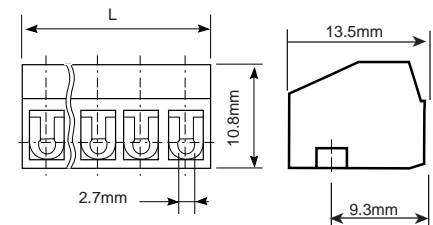
| Ordering Information         | No. of Poles | Type         | Cat. No.      | Length L mm (in.) | Std. Pk. |
|------------------------------|--------------|--------------|---------------|-------------------|----------|
| Plug, US (Inch) Pole Spacing | 2            | AK(Z)130/2wp | <b>30.302</b> | 10.00 ( .39)      | 100      |
|                              | 3            | AK(Z)130/3wp | <b>30.303</b> | 15.00 ( .59)      | 100      |
|                              | 4            | AK(Z)130/4wp | <b>30.304</b> | 20.00 ( .79)      | 50       |
|                              | 5            | AK(Z)130/5wp | <b>30.305</b> | 25.00 ( .99)      | 50       |
|                              | 6            | AK(Z)130/6wp | <b>30.306</b> | 30.00 (1.18)      | 50       |

| Type         | Cat. No.      | Length L mm (in.) | Std. Pk. |
|--------------|---------------|-------------------|----------|
| AK(Z)132/2wp | <b>30.322</b> | 10.00 ( .39)      | 100      |
| AK(Z)132/3wp | <b>30.323</b> | 15.00 ( .59)      | 100      |
| AK(Z)132/4wp | <b>30.324</b> | 20.00 ( .79)      | 50       |
| AK(Z)132/5wp | <b>30.325</b> | 25.00 ( .99)      | 50       |
| AK(Z)132/6wp | <b>30.326</b> | 30.00 (1.18)      | 50       |

| Dimensions |       |       |       |
|------------|-------|-------|-------|
| mm         | in.   | mm    | in.   |
| 0.70       | 0.028 | 10.80 | 0.425 |
| 2.70       | 0.106 | 13.50 | 0.531 |
| 9.30       | 0.366 |       |       |



<sup>b</sup>Appropriate for use in US (inch) pin spacings up to the number of poles shown.



<sup>d</sup>Appropriate for use in US (inch) pin spacings up to the number of poles shown.

## PLUGGABLE PRINTED CIRCUIT US Pin Spacing<sup>a</sup> Pin Headers

STL(Z)130, STL(Z)132 Straight and STL(Z)140 Right Angle Pin Headers are used with the highly cost effective Tubular Screw Clamp Plugs, Type AK(Z)130 and AK(Z)132, in lighter duty applications where infrequent wire to board connections must be made. Type STL(Z)132 features a reduced pin diameter of 1.0mm (.0394") on the soldering side.

Open Pin Headers are supplied in strips up to 6 poles. The Pin Header strip features breakaway construction that eliminates cutting or sawing.

- Straight and Right Angle
- Strip Material: Polyamide 6.6
- Standard Color: Gray

<sup>a</sup>Blocks with metric pin spacing begin on page 132.



**STL(Z)130**  
Straight Pin Header



**STL(Z)140**  
Right Angle Pin Header<sup>b</sup>

Pin Spacing 5mm (.197)<sup>c</sup>

Use with AK(Z)130, AK(Z)132 Plugs<sup>b</sup>

Smaller pin diameter for 1.0mm (.0394") through-holes



**STL(Z)132**  
Straight Pin Header

Pin Spacing 5mm (.197)<sup>d</sup>

Use with AK(Z)130, AK(Z)132 Plugs

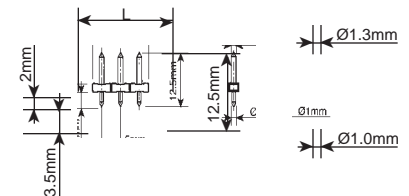
**Ratings**  
IEC/VDE  
UL (File No. E101811)  
SP (File No. LR68503)

| Current          | Voltage           |
|------------------|-------------------|
| 10A              | 250V              |
| 10A <sup>e</sup> | 300V <sup>e</sup> |
| 10A <sup>e</sup> | 300V <sup>e</sup> |

| Current          | Voltage           |
|------------------|-------------------|
| 10A              | 250V              |
| 10A <sup>e</sup> | 300V <sup>e</sup> |
| 10A <sup>e</sup> | 300V <sup>e</sup> |

| Ordering Information                             | No. of Poles | Type        | Cat. No. | Length L mm (in.) | Std. Pk. | Type        | Cat. No. | Length L mm (in.) | Std. Pk. |
|--|--------------|-------------|----------|-------------------|----------|-------------|----------|-------------------|----------|
| Straight Pin Header,<br>US (Inch) Pin Spacing    | 2            | STL(Z)130/2 | 30.352   | 10.00 (.39)       | 100      | STL(Z)132/2 | 32.502   | 10.00 (.39)       | 100      |
|  | 3            | STL(Z)130/3 | 30.353   | 15.00 (.59)       | 100      | STL(Z)132/3 | 32.503   | 15.00 (.59)       | 100      |
|  | 4            | STL(Z)130/4 | 30.354   | 20.00 (.79)       | 50       | STL(Z)132/4 | 32.504   | 20.00 (.79)       | 50       |
|  | 5            | STL(Z)130/5 | 30.355   | 25.00 (.99)       | 50       | STL(Z)132/5 | 32.505   | 25.00 (.99)       | 50       |
|  | 6            | STL(Z)130/6 | 30.356   | 30.00 (1.18)      | 50       | STL(Z)132/6 | 32.506   | 30.00 (1.18)      | 50       |
| Right Angle Pin Header,<br>US (Inch) Pin Spacing | 2            | STL(Z)140/2 | 30.472   | 10.00 (.39)       | 100      |             |          |                   |          |
|  | 3            | STL(Z)140/3 | 30.473   | 15.00 (.59)       | 100      |             |          |                   |          |
|  | 4            | STL(Z)140/4 | 30.474   | 20.00 (.79)       | 50       |             |          |                   |          |
|  | 5            | STL(Z)140/5 | 30.475   | 25.00 (.99)       | 50       |             |          |                   |          |
|  | 6            | STL(Z)140/6 | 30.476   | 30.00 (1.18)      | 50       |             |          |                   |          |

| Dimensions |       |       |       |
|------------|-------|-------|-------|
| mm         | in.   | mm    | in.   |
| 1.00       | 0.039 | 5.50  | 0.217 |
| 1.30       | 0.051 | 6.00  | 0.236 |
| 2.00       | 0.079 | 11.80 | 0.465 |
| 2.80       | 0.110 | 12.50 | 0.492 |
| 3.50       | 0.138 |       |       |



<sup>b</sup>To insure proper pin positioning, install header into AK(Z)130 or AK(Z)132 Plug before soldering into board.

<sup>c</sup>Appropriate for use in US (inch) pin spacings up to the number of poles shown providing minimum PC Board Hole Size is 1.5mm(.059 in.)

<sup>d</sup>Appropriate for use in US (inch) pin spacings up to the number of poles shown providing minimum PC Board Hole Size is 1.5mm(.059 in.)

<sup>e</sup>Pending, STL(Z)140 and STL(Z)132

# MINI PLUGGABLE PRINTED CIRCUIT US Pin Spacing<sup>a</sup> Screw-Cage Clamp Plug and Headers

For use in industrial plug-in applications where space is limited.

Horizontal and vertical headers offer different wire entry options and enhance plug accessibility. Closed end designs help prevent misplugging.

- Multipole, Single Mold Design
- Optional Keying Prevents Misplugging<sup>b</sup>
- Housing Material: Polyamide 6.6
- Standard Color: Green



**STLZ1550-W**  
Horizontal - Closed End



**AKZ1550**



**STLZ1555-W**  
Vertical - Closed End

Pole Spacing 3.81mm (.150)  
Stripping Length 7mm (.276)  
Screw Hole Diameter 2.5mm (.098)

Pin Spacing 3.81mm (.150)

Use with STLZ1550 or STLZ1555 Headers

Use with AKZ1550 Plug

<sup>a</sup>Blocks with metric pin spacing begin on page 132.



| Wire Range             | Current | Voltage |
|------------------------|---------|---------|
| 0.4-1.5mm <sup>2</sup> | 8A      | 125V    |
| 28-16 AWG              | 8A      | 300V    |
| 28-16 AWG              | 8A      | 300V    |

| Current | Voltage |
|---------|---------|
| 8A      | 125V    |
| 8A      | 300V    |
| 8A      | 300V    |

## Ordering Information

No. of Poles

Plugs, Horizontal Headers  
US (inch) Spacing

| Type       | Cat. No. | Length L<br>mm (in.) | Std. Pk. |
|------------|----------|----------------------|----------|
| AKZ1550/2  | 36.302   | 8.41 (.33)           | 100      |
| AKZ1550/3  | 36.303   | 12.22 (.48)          | 100      |
| AKZ1550/4  | 36.304   | 16.03 (.63)          | 50       |
| AKZ1550/5  | 36.305   | 19.84 (.78)          | 50       |
| AKZ1550/6  | 36.306   | 23.65 (.93)          | 50       |
| AKZ1550/7  | 36.307   | 27.46 (1.08)         | 30       |
| AKZ1550/8  | 36.308   | 31.27 (1.23)         | 30       |
| AKZ1550/9  | 36.309   | 35.08 (1.38)         | 30       |
| AKZ1550/10 | 36.310   | 38.89 (1.53)         | 30       |
| AKZ1550/11 | 36.311   | 42.70 (1.68)         | 20       |
| AKZ1550/12 | 36.312   | 46.51 (1.83)         | 20       |
| AKZ1550/13 | 36.313   | 50.32 (1.98)         | 20       |
| AKZ1550/14 | 36.314   | 54.13 (2.13)         | 20       |
| AKZ1550/15 | 36.315   | 57.94 (2.28)         | 20       |
| AKZ1550/16 | 36.316   | 61.75 (2.43)         | 15       |

Type Cat. No. Length L mm (in.) Std. Pk.

|               |        |              |     |
|---------------|--------|--------------|-----|
| STLZ1550/2-w  | 36.402 | 9.01 (.35)   | 100 |
| STLZ1550/3-w  | 36.403 | 12.82 (.50)  | 100 |
| STLZ1550/4-w  | 36.404 | 16.63 (.65)  | 50  |
| STLZ1550/5-w  | 36.405 | 20.44 (.80)  | 50  |
| STLZ1550/6-w  | 36.406 | 24.25 (.95)  | 50  |
| STLZ1550/7-w  | 36.407 | 28.06 (1.10) | 30  |
| STLZ1550/8-w  | 36.408 | 31.87 (1.25) | 30  |
| STLZ1550/9-w  | 36.409 | 35.68 (1.40) | 30  |
| STLZ1550/10-w | 36.410 | 39.49 (1.55) | 30  |
| STLZ1550/11-w | 36.411 | 43.30 (1.70) | 20  |
| STLZ1550/12-w | 36.412 | 47.11 (1.85) | 20  |
| STLZ1550/13-w | 36.413 | 50.92 (2.00) | 20  |
| STLZ1550/14-w | 36.414 | 54.73 (2.15) | 20  |
| STLZ1550/15-w | 36.415 | 58.54 (2.30) | 20  |
| STLZ1550/16-w | 36.416 | 62.35 (2.45) | 15  |

Vertical Headers  
US (inch) Spacing

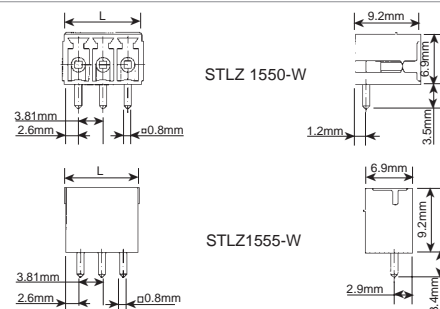
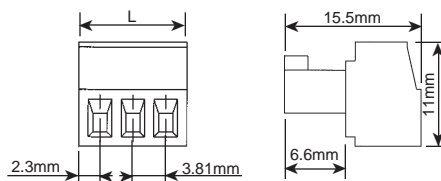
|            |        |              |    |
|------------|--------|--------------|----|
| AKZ1550/8  | 36.308 | 31.27 (1.23) | 30 |
| AKZ1550/9  | 36.309 | 35.08 (1.38) | 30 |
| AKZ1550/10 | 36.310 | 38.89 (1.53) | 30 |
| AKZ1550/11 | 36.311 | 42.70 (1.68) | 20 |
| AKZ1550/12 | 36.312 | 46.51 (1.83) | 20 |
| AKZ1550/13 | 36.313 | 50.32 (1.98) | 20 |
| AKZ1550/14 | 36.314 | 54.13 (2.13) | 20 |
| AKZ1550/15 | 36.315 | 57.94 (2.28) | 20 |
| AKZ1550/16 | 36.316 | 61.75 (2.43) | 15 |

|              |        |              |     |
|--------------|--------|--------------|-----|
| STLZ1555/2-w | 36.452 | 9.01 (.35)   | 100 |
| STLZ1555/3-w | 36.453 | 12.82 (.50)  | 100 |
| STLZ1555/4-w | 36.454 | 16.63 (.65)  | 50  |
| STLZ1555/5-w | 36.455 | 20.44 (.80)  | 50  |
| STLZ1555/6-w | 36.456 | 24.25 (.95)  | 50  |
| STLZ1555/7-w | 36.457 | 28.06 (1.10) | 30  |

|               |        |              |    |
|---------------|--------|--------------|----|
| STLZ1555/8-w  | 36.458 | 31.87 (1.25) | 30 |
| STLZ1555/9-w  | 36.459 | 35.68 (1.40) | 30 |
| STLZ1555/10-w | 36.460 | 39.49 (1.55) | 30 |
| STLZ1555/11-w | 36.461 | 43.30 (1.70) | 20 |
| STLZ1555/12-w | 36.462 | 47.11 (1.85) | 20 |
| STLZ1555/13-w | 36.463 | 50.92 (2.00) | 20 |

|               |        |              |    |
|---------------|--------|--------------|----|
| STLZ1555/14-w | 36.464 | 54.73 (2.15) | 20 |
| STLZ1555/15-w | 36.465 | 58.54 (2.30) | 20 |
| STLZ1555/16-w | 36.466 | 62.35 (2.45) | 15 |

| Dimensions |       |       |       |
|------------|-------|-------|-------|
| mm         | in.   | mm    | in.   |
| 0.80       | 0.031 | 3.81  | 0.150 |
| 1.20       | 0.047 | 6.60  | 0.260 |
| 2.30       | 0.091 | 6.90  | 0.272 |
| 2.60       | 0.102 | 9.20  | 0.362 |
| 2.90       | 0.114 | 11.10 | 0.437 |
| 3.40       | 0.134 | 15.50 | 0.610 |
| 3.50       | 0.138 |       |       |



<sup>b</sup>For Keying, please consult Altech

## STANDARD PLUGGABLE PRINTED CIRCUIT US Pin Spacing<sup>a</sup> Screw-Cage Clamp Plug

For standard industrial plug-in applications where multiple wire-to-board connections must be made quickly and simultaneously.

Reduce wiring mistakes, downtime and facilitate troubleshooting. Simply unplug defective board and plug in a new one.

Horizontal and Vertical, 45° and Double Level Headers are available. Headers are available in open and closed end designs. Refer to page 126 to 129.

- Multipole, Single Mold Construction
- Industry Standard Compatible
- Locking Tabs Prevent Unplugging
- Optional Keying Prevents Misplugging<sup>b</sup>
- Housing Material: Polyamide 6.6
- Standard Color: Green

<sup>a</sup>Blocks with metric pin spacing begin on page 132.

### Ratings

IEC/VDE

 (File No. E101811)

 (File No. LR68503)



## AKZ950

Wire Entry in Same Direction as Plug-In

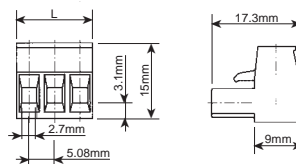
Pole Spacing 5.08mm (.200)  
Stripping Length 7mm (.276)  
Screw Hole Diameter 3.5mm (.138)

Use with STLZ950, STLZ955, STLZ970,  
STLZ975, STLZ11, STLZ990 Headers

| Wire Range             | Current | Voltage |
|------------------------|---------|---------|
| 0.5-2.5mm <sup>2</sup> | 12A     | 250V    |
| 22-12 AWG              | 15A     | 300V    |
| 22-14 AWG              | 15A     | 300V    |

| Ordering Information         | No. of Poles | Type      | Cat. No. | Length L mm (in.) | Std. Pk. |
|------------------------------|--------------|-----------|----------|-------------------|----------|
| Plug, US (Inch) Pole Spacing | 2            | AKZ950/2  | 37.002   | 10.16 ( .40)      | 100      |
|                              | 3            | AKZ950/3  | 37.003   | 15.24 ( .60)      | 100      |
|                              | 4            | AKZ950/4  | 37.004   | 20.32 ( .80)      | 50       |
|                              | 5            | AKZ950/5  | 37.005   | 25.40 (1.00)      | 50       |
|                              | 6            | AKZ950/6  | 37.006   | 30.48 (1.20)      | 50       |
|                              | 7            | AKZ950/7  | 37.007   | 35.56 (1.40)      | 30       |
|                              | 8            | AKZ950/8  | 37.008   | 40.64 (1.60)      | 30       |
|                              | 9            | AKZ950/9  | 37.009   | 45.72 (1.80)      | 30       |
|                              | 10           | AKZ950/10 | 37.010   | 50.80 (2.00)      | 30       |
|                              | 11           | AKZ950/11 | 37.011   | 55.88 (2.20)      | 20       |
|                              | 12           | AKZ950/12 | 37.012   | 60.98 (2.40)      | 20       |
|                              | 13           | AKZ950/13 | 37.013   | 66.04 (2.60)      | 20       |
|                              | 14           | AKZ950/14 | 37.014   | 71.14 (2.80)      | 20       |
|                              | 15           | AKZ950/15 | 37.015   | 76.20 (3.00)      | 20       |
|                              | 16           | AKZ950/16 | 37.016   | 81.28 (3.20)      | 15       |
|                              | 17           | AKZ950/17 | 37.017   | 86.36 (3.40)      | 15       |
|                              | 18           | AKZ950/18 | 37.018   | 91.44 (3.60)      | 15       |
|                              | 19           | AKZ950/19 | 37.019   | 96.52 (3.80)      | 15       |
|                              | 20           | AKZ950/20 | 37.020   | 101.60 (4.00)     | 15       |
|                              | 21           | AKZ950/21 | 37.021   | 106.66 (4.20)     | 10       |
|                              | 22           | AKZ950/22 | 37.022   | 111.76 (4.40)     | 10       |
|                              | 23           | AKZ950/23 | 37.023   | 116.64 (4.60)     | 10       |
|                              | 24           | AKZ950/24 | 37.024   | 121.92 (4.80)     | 10       |

| Dimensions |       |       |       |
|------------|-------|-------|-------|
| mm         | in.   | mm    | in.   |
| 2.70       | 0.106 | 9.00  | 0.354 |
| 3.10       | 0.039 | 15.00 | 0.600 |
| 5.08       | 0.200 | 17.30 | 0.039 |



<sup>b</sup>For Keying, refer to Accessories on Page146

# STANDARD PLUGGABLE PRINTED CIRCUIT US Pin Spacing<sup>a</sup> Screw-Cage Clamp Plug

For standard industrial plug-in applications where multiple wire-to-board connections must be made quickly and simultaneously.

Two wire entry options increase plug accessibility. The shape of the plug facilitates plug-in and removal.

- Multipole, Single Mold Construction
- Industry Standard Compatible
- Locking Tab Prevents Unplugging
- Optional Keying Prevents Misplugging<sup>b</sup>
- Housing Material: Polyamide 6.6
- Standard Color: Green<sup>c</sup>

<sup>a</sup>Blocks with metric pin spacing begin on page 132.

**Ratings**  
IEC/VDE  
UL (File No. E151279)  
CSA (File No. LR103097-1)

| Ordering Information                | No. of Poles |
|-------------------------------------|--------------|
| <b>Plug, US (inch) Pole Spacing</b> | <b>2</b>     |
|                                     | <b>3</b>     |
|                                     | <b>4</b>     |
|                                     | <b>5</b>     |
|                                     | <b>6</b>     |
|                                     | <b>7</b>     |
|                                     | <b>8</b>     |
|                                     | <b>9</b>     |
|                                     | <b>10</b>    |
|                                     | <b>11</b>    |
|                                     | <b>12</b>    |
|                                     | <b>13</b>    |
|                                     | <b>14</b>    |
|                                     | <b>15</b>    |
|                                     | <b>16</b>    |



**BU02**

**Wire Entry Perpendicular to Plug-In  
(On Locking Tab Side)**

Pole Spacing 5.08mm (.200)  
Stripping Length 8mm (.315)  
Screw Hole Diameter 3.5mm (.138)

Use with STLZ950, STLZ955, STLZ11,  
STLZ990 Headers

| Wire Range             | Current          | Voltage |
|------------------------|------------------|---------|
| 0.5-2.5mm <sup>2</sup> | 12A              | 250V    |
| 22-10 AWG              | 15A              | 300V    |
| 22-10 AWG <sup>a</sup> | 15A <sup>a</sup> | 300V    |

| Type    | Cat. No.      | Length L<br>mm (in.) | Std. Pk. |
|---------|---------------|----------------------|----------|
| BU02/2  | <b>36.002</b> | 10.16 ( .40)         | 100      |
| BU02/3  | <b>36.003</b> | 15.24 ( .60)         | 100      |
| BU02/4  | <b>36.004</b> | 20.32 ( .80)         | 50       |
| BU02/5  | <b>36.005</b> | 25.40 (1.00)         | 50       |
| BU02/6  | <b>36.006</b> | 30.48 (1.20)         | 50       |
| BU02/7  | <b>36.007</b> | 35.56 (1.40)         | 30       |
| BU02/8  | <b>36.008</b> | 40.64 (1.60)         | 30       |
| BU02/9  | <b>36.009</b> | 45.72 (1.80)         | 30       |
| BU02/10 | <b>36.010</b> | 50.80 (2.00)         | 20       |
| BU02/11 | <b>36.011</b> | 55.88 (2.20)         | 20       |
| BU02/12 | <b>36.012</b> | 60.96 (2.40)         | 20       |
| BU02/13 | <b>36.013</b> | 66.04 (2.60)         | 20       |
| BU02/14 | <b>36.014</b> | 71.12 (2.80)         | 20       |
| BU02/15 | <b>36.015</b> | 76.20 (3.00)         | 20       |
| BU02/16 | <b>36.016</b> | 81.28 (3.20)         | 15       |



**BU04**

**Wire Entry Perpendicular to Plug-In  
(On Scalloped Side)**

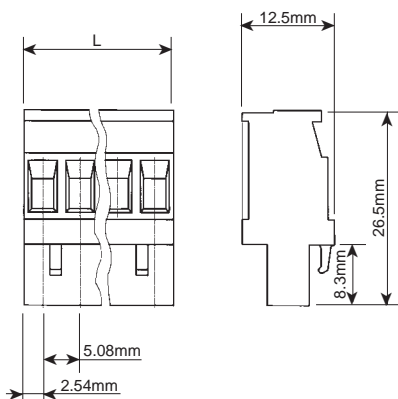
Pole Spacing 5.08mm (.200)  
Stripping Length 8mm (.315)  
Screw Hole Diameter 3.5mm (.138)

Use with STLZ950, STLZ955, STLZ11,  
STLZ990 Headers

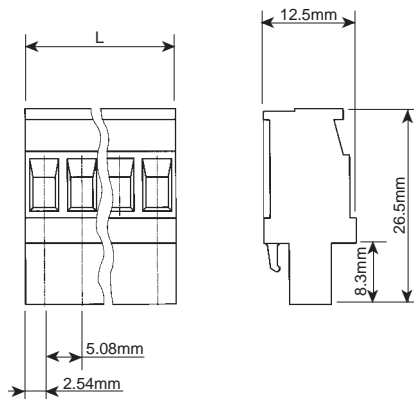
| Wire Range             | Current          | Voltage |
|------------------------|------------------|---------|
| 0.5-2.5mm <sup>2</sup> | 12A              | 250V    |
| 22-10 AWG              | 15A              | 300V    |
| 22-10 AWG <sup>b</sup> | 15A <sup>b</sup> | 300V    |

| Type    | Cat. No.      | Length L<br>mm (in.) | Std. Pk. |
|---------|---------------|----------------------|----------|
| BU04/2  | <b>36.052</b> | 10.16 ( .40)         | 100      |
| BU04/3  | <b>36.053</b> | 15.24 ( .60)         | 100      |
| BU04/4  | <b>36.054</b> | 20.32 ( .80)         | 50       |
| BU04/5  | <b>36.055</b> | 25.40 (1.00)         | 50       |
| BU04/6  | <b>36.056</b> | 30.48 (1.20)         | 50       |
| BU04/7  | <b>36.057</b> | 35.56 (1.40)         | 30       |
| BU04/8  | <b>36.058</b> | 40.64 (1.60)         | 30       |
| BU04/9  | <b>36.059</b> | 45.72 (1.80)         | 30       |
| BU04/10 | <b>36.060</b> | 50.80 (2.00)         | 20       |
| BU04/11 | <b>36.061</b> | 55.88 (2.20)         | 20       |
| BU04/12 | <b>36.062</b> | 60.96 (2.40)         | 20       |
| BU04/13 | <b>36.063</b> | 66.04 (2.60)         | 20       |
| BU04/14 | <b>36.064</b> | 71.12 (2.80)         | 20       |
| BU04/15 | <b>36.065</b> | 76.20 (3.00)         | 20       |
| BU04/16 | <b>36.066</b> | 81.28 (3.20)         | 15       |

| Dimensions |       |       |       |
|------------|-------|-------|-------|
| mm         | in.   | mm    | in.   |
| 2.54       | 0.100 | 12.50 | 0.492 |
| 5.08       | 0.200 | 26.50 | 1.043 |
| 8.30       | 0.327 |       |       |



<sup>a</sup>Pending



<sup>b</sup>Pending



## STANDARD PLUGGABLE PRINTED CIRCUIT US Pin Spacing<sup>a</sup> Screw-Cam Clamp Plug

For standard industrial plug-in applications where multiple wire-to-board connections must be made quickly and simultaneously.

Ideal for limited access application, wire entry and screws on the same side.

- Multipole, Single Mold Construction
- Industry Standard Compatible
- Optional Keying Prevents Misplugging
- Housing Material: Polyamide 6.6
- Standard Color: Green



### AKZ1200

**Wire Entry and Screws on Same Side  
and in Same Direction as Plug-In**


Pole Spacing 5.08mm (.200)  
Stripping Length 7mm (.276)  
Screw Hole Diameter 3mm (.118)


Use with STLZ950, STLZ955, STLZ990,  
STLZ11, STLZ970, STLZ975 Headers

<sup>a</sup>Blocks with metric pin spacing begin on page 132.

#### Ratings

IEC/VDE

 (File No. E101811)

 (File No. LR68503)

| Wire Range             | Current | Voltage |
|------------------------|---------|---------|
| 0.5-2.5mm <sup>2</sup> | 12A     | 250V    |
| 22-12 AWG              | 15A     | 300V    |
| 22-14 AWG              | 15A     | 300V    |

#### Ordering Information

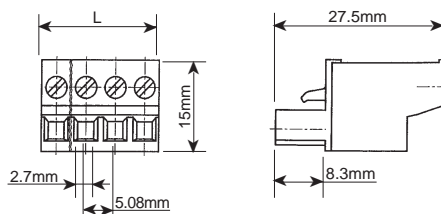
No. of  
Poles

Type      Cat. No.      Length L  
mm (in.)      Std. Pk.

#### Pin Header, US (Inch) Pole Spacing

|    |            |        |               |     |
|----|------------|--------|---------------|-----|
| 2  | AKZ1200/2  | 36.102 | 10.16 ( .40)  | 100 |
| 3  | AKZ1200/3  | 36.103 | 15.24 ( .60)  | 100 |
| 4  | AKZ1200/4  | 36.104 | 20.32 ( .80)  | 50  |
| 5  | AKZ1200/5  | 36.105 | 25.40 (1.00)  | 50  |
| 6  | AKZ1200/6  | 36.106 | 30.48 (1.20)  | 50  |
| 7  | AKZ1200/7  | 36.107 | 35.56 (1.40)  | 30  |
| 8  | AKZ1200/8  | 36.108 | 40.64 (1.60)  | 30  |
| 9  | AKZ1200/9  | 36.109 | 45.72 (1.80)  | 30  |
| 10 | AKZ1200/10 | 36.110 | 50.80 (2.00)  | 20  |
| 11 | AKZ1200/11 | 36.111 | 55.88 (2.20)  | 20  |
| 12 | AKZ1200/12 | 36.112 | 60.98 (2.40)  | 20  |
| 13 | AKZ1200/13 | 36.113 | 66.04 (2.60)  | 20  |
| 14 | AKZ1200/14 | 36.114 | 71.14 (2.80)  | 20  |
| 15 | AKZ1200/15 | 36.115 | 76.20 (3.00)  | 20  |
| 16 | AKZ1200/16 | 36.116 | 81.28 (3.20)  | 15  |
| 17 | AKZ1200/17 | 36.117 | 86.36 (3.40)  | 15  |
| 18 | AKZ1200/18 | 36.118 | 91.44 (3.60)  | 15  |
| 19 | AKZ1200/19 | 36.119 | 96.52 (3.80)  | 15  |
| 20 | AKZ1200/20 | 36.120 | 101.60 (4.00) | 15  |
| 21 | AKZ1200/21 | 36.121 | 106.66 (4.20) | 10  |
| 22 | AKZ1200/22 | 36.122 | 111.76 (4.40) | 10  |
| 23 | AKZ1200/23 | 36.123 | 116.84 (4.60) | 10  |
| 24 | AKZ1200/24 | 36.124 | 121.92 (4.80) | 10  |

| mm   |       | in.   |       | Dimensions |  |
|------|-------|-------|-------|------------|--|
| 2.70 | 0.106 | 15.00 | 0.591 |            |  |
| 5.08 | 0.200 | 27.50 | 1.083 |            |  |
| 8.30 | 0.327 |       |       |            |  |



# STANDARD PLUGGABLE PRINTED CIRCUIT US Pin Spacing<sup>a</sup> Headers

Horizontal or vertical headers offer different wire entry options and enhance plug accessibility. Closed end headers help prevent misplugging.

- Multipole, Single Mold Construction
- Industry Standard Compatible
- Horizontal and Vertical
- Open and Closed Ends
- Housing Material: Polyamide 6.6
- Standard Color: Green<sup>b</sup>

<sup>a</sup>Blocks with metric pin spacing begin on page 132.

|                    |
|--------------------|
| <b>Ratings</b>     |
| IEC/VDE            |
| (File No. E101811) |
| (File No. LR68503) |

| Ordering Information          | No. of Poles |
|-------------------------------|--------------|
| Header, US (Inch) Pin Spacing | 2            |
|                               | 3            |
|                               | 4            |
|                               | 5            |
|                               | 6            |
|                               | 7            |
|                               | 8            |
|                               | 9            |
|                               | 10           |
|                               | 11           |
|                               | 12           |
|                               | 13           |
|                               | 14           |
|                               | 15           |
|                               | 16           |
|                               | 17           |
|                               | 18           |
|                               | 19           |
|                               | 20           |
|                               | 21           |
|                               | 22           |
|                               | 23           |
|                               | 24           |



## STLZ950-W Horizontal - Closed Ends

Pin Spacing 5.08mm (.200)

Use with AKZ950, BU02, BU04, AKZ1200 Plugs

| Type         | Cat. No. | Length L mm (in.) | Std. Pk. |
|--------------|----------|-------------------|----------|
| STLZ950/2-w  | 37.102   | 11.36 ( .45)      | 100      |
| STLZ950/3-w  | 37.103   | 16.44 ( .65)      | 100      |
| STLZ950/4-w  | 37.104   | 21.52 ( .85)      | 50       |
| STLZ950/5-w  | 37.105   | 26.60 (1.05)      | 50       |
| STLZ950/6-w  | 37.106   | 31.68 (1.25)      | 50       |
| STLZ950/7-w  | 37.107   | 36.76 (1.45)      | 30       |
| STLZ950/8-w  | 37.108   | 41.84 (1.65)      | 30       |
| STLZ950/9-w  | 37.109   | 46.92 (1.85)      | 30       |
| STLZ950/10-w | 37.110   | 52.00 (2.05)      | 30       |
| STLZ950/11-w | 37.111   | 57.08 (2.25)      | 20       |
| STLZ950/12-w | 37.112   | 62.16 (2.45)      | 20       |
| STLZ950/13-w | 37.113   | 67.24 (2.65)      | 20       |
| STLZ950/14-w | 37.114   | 72.32 (2.85)      | 20       |
| STLZ950/15-w | 37.115   | 77.40 (3.05)      | 20       |
| STLZ950/16-w | 37.116   | 82.48 (3.25)      | 15       |
| STLZ950/17-w | 37.117   | 87.56 (3.45)      | 15       |
| STLZ950/18-w | 37.118   | 92.64 (3.65)      | 15       |
| STLZ950/19-w | 37.119   | 97.72 (3.85)      | 15       |
| STLZ950/20-w | 37.120   | 102.80 (4.05)     | 15       |
| STLZ950/21-w | 37.121   | 107.88 (4.25)     | 10       |
| STLZ950/22-w | 37.122   | 112.96 (4.45)     | 10       |
| STLZ950/23-w | 37.123   | 118.04 (4.65)     | 10       |
| STLZ950/24-w | 37.124   | 123.13 (4.85)     | 10       |



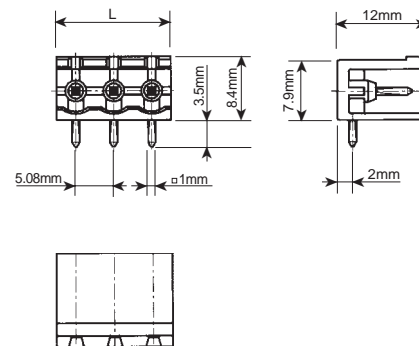
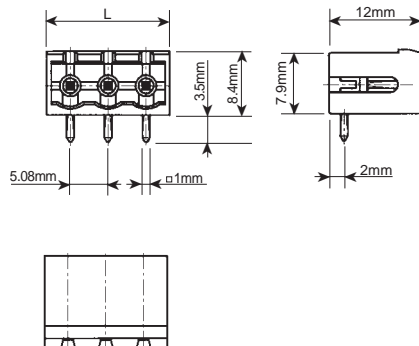
## STLZ950-O Horizontal - Open Ends

Pin Spacing 5.08mm (.200)

Use with AKZ950, BU02, BU04, AKZ1200 Plugs

| Type         | Cat. No. | Length L mm (in.) | Std. Pk. |
|--------------|----------|-------------------|----------|
| STLZ950/2-o  | 37.452   | 10.08 ( .40)      | 100      |
| STLZ950/3-o  | 37.453   | 15.16 ( .60)      | 100      |
| STLZ950/4-o  | 37.454   | 20.24 ( .80)      | 50       |
| STLZ950/5-o  | 37.455   | 25.32 (1.00)      | 50       |
| STLZ950/6-o  | 37.456   | 30.40 (1.20)      | 50       |
| STLZ950/7-o  | 37.457   | 35.48 (1.40)      | 30       |
| STLZ950/8-o  | 37.458   | 40.56 (1.60)      | 30       |
| STLZ950/9-o  | 37.459   | 45.64 (1.80)      | 30       |
| STLZ950/10-o | 37.460   | 50.72 (2.00)      | 30       |
| STLZ950/11-o | 37.461   | 55.80 (2.20)      | 20       |
| STLZ950/12-o | 37.462   | 60.88 (2.40)      | 20       |
| STLZ950/13-o | 37.463   | 65.96 (2.60)      | 20       |
| STLZ950/14-o | 37.464   | 71.04 (2.80)      | 20       |
| STLZ950/15-o | 37.465   | 76.12 (3.00)      | 20       |
| STLZ950/16-o | 37.466   | 81.20 (3.20)      | 15       |
| STLZ950/17-o | 37.467   | 86.28 (3.40)      | 15       |
| STLZ950/18-o | 37.468   | 91.36 (3.60)      | 15       |
| STLZ950/19-o | 37.469   | 96.44 (3.80)      | 15       |
| STLZ950/20-o | 37.470   | 101.52 (4.00)     | 15       |
| STLZ950/21-o | 37.471   | 106.60 (4.20)     | 10       |
| STLZ950/22-o | 37.472   | 111.68 (4.40)     | 10       |
| STLZ950/23-o | 37.473   | 116.76 (4.60)     | 10       |
| STLZ950/24-o | 37.474   | 121.84 (4.80)     | 10       |

| Dimensions |       |       |       |
|------------|-------|-------|-------|
| mm         | in.   | mm    | in.   |
| 1.00       | 0.039 | 8.20  | 0.323 |
| 2.00       | 0.079 | 8.40  | 0.331 |
| 3.10       | 0.122 | 11.30 | 0.445 |
| 3.50       | 0.138 | 12.00 | 0.472 |
| 3.80       | 0.150 | 15.16 | 0.597 |
| 3.90       | 0.154 | 15.26 | 0.601 |
| 5.08       | 0.200 | 16.44 | 0.647 |
| 7.90       | 0.311 | 17.00 | 0.669 |



<sup>b</sup>Gray available, please consult Altech

Standoff foot for improved plug accessibility



## STLZ11-O Horizontal - Open Ends

Pin Spacing 5.08mm (.200)

Use with AKZ950, BU02, BU04, AKZ1200 Plugs

| Current | Voltage |
|---------|---------|
| 12A     | 250V    |
| 15A     | 300V    |
| 15A     | 300V    |

| Type        | Cat. No. | Length L mm (in.) | Std. Pk. |
|-------------|----------|-------------------|----------|
| STLZ11/2-o  | 38.902   | 10.16 ( .40)      | 100      |
| STLZ11/3-o  | 38.903   | 15.26 ( .60)      | 100      |
| STLZ11/4-o  | 38.904   | 20.30 ( .80)      | 50       |
| STLZ11/5-o  | 38.905   | 25.31 (1.00)      | 50       |
| STLZ11/6-o  | 38.906   | 30.35 (1.20)      | 50       |
| STLZ11/7-o  | 38.907   | 35.45 (1.40)      | 30       |
| STLZ11/8-o  | 38.908   | 40.79 (1.60)      | 30       |
| STLZ11/9-o  | 38.909   | 45.86 (1.80)      | 30       |
| STLZ11/10-o | 38.910   | 50.80 (2.00)      | 30       |



## STLZ955-W Vertical - Closed Ends

Pin Spacing 5.08mm (.200)

Use with AKZ950, BU02, BU04, AKZ1200 Plugs

| Current | Voltage |
|---------|---------|
| 12A     | 250V    |
| 15A     | 300V    |
| 15A     | 300V    |

| Type         | Cat. No. | Length L mm (in.) | Std. Pk. |
|--------------|----------|-------------------|----------|
| STLZ955/2-w  | 37.202   | 11.36 ( .45)      | 100      |
| STLZ955/3-w  | 37.203   | 16.44 ( .65)      | 100      |
| STLZ955/4-w  | 37.204   | 21.52 ( .85)      | 50       |
| STLZ955/5-w  | 37.205   | 26.60 (1.05)      | 50       |
| STLZ955/6-w  | 37.206   | 31.68 (1.25)      | 50       |
| STLZ955/7-w  | 37.207   | 36.76 (1.45)      | 30       |
| STLZ955/8-w  | 37.208   | 41.84 (1.65)      | 30       |
| STLZ955/9-w  | 37.209   | 46.92 (1.85)      | 30       |
| STLZ955/10-w | 37.210   | 52.00 (2.05)      | 30       |
| STLZ955/11-w | 37.211   | 57.08 (2.25)      | 20       |
| STLZ955/12-w | 37.212   | 62.16 (2.45)      | 20       |
| STLZ955/13-w | 37.213   | 67.24 (2.65)      | 20       |
| STLZ955/14-w | 37.214   | 72.32 (2.85)      | 20       |
| STLZ955/15-w | 37.215   | 77.40 (3.05)      | 20       |
| STLZ955/16-w | 37.216   | 82.48 (3.25)      | 15       |
| STLZ955/17-w | 37.217   | 87.56 (3.45)      | 15       |
| STLZ955/18-w | 37.218   | 92.64 (3.65)      | 15       |
| STLZ955/19-w | 37.219   | 97.72 (3.85)      | 15       |
| STLZ955/20-w | 37.220   | 102.80 (4.05)     | 15       |
| STLZ955/21-w | 37.221   | 107.88 (4.25)     | 10       |
| STLZ955/22-w | 37.222   | 112.96 (4.45)     | 10       |
| STLZ955/23-w | 37.223   | 118.04 (4.65)     | 10       |
| STLZ955/24-w | 37.224   | 123.13 (4.85)     | 10       |



## STLZ955-O Vertical - Open Ends

Pin Spacing 5.08mm (.200)

Use with AKZ950, BU02, BU04, AKZ1200 Plugs

| Current | Voltage |
|---------|---------|
| 12A     | 250V    |
| 15A     | 300V    |
| 15A     | 300V    |

| Type         | Cat. No. | Length L mm (in.) | Std. Pk. |
|--------------|----------|-------------------|----------|
| STLZ955/2-o  | 37.502   | 10.08 ( .40)      | 100      |
| STLZ955/3-o  | 37.503   | 15.16 ( .59)      | 100      |
| STLZ955/4-o  | 37.504   | 20.24 ( .80)      | 50       |
| STLZ955/5-o  | 37.505   | 25.32 (1.00)      | 50       |
| STLZ955/6-o  | 37.506   | 30.40 (1.20)      | 50       |
| STLZ955/7-o  | 37.507   | 35.48 (1.40)      | 30       |
| STLZ955/8-o  | 37.508   | 40.56 (1.60)      | 30       |
| STLZ955/9-o  | 37.509   | 45.64 (1.80)      | 30       |
| STLZ955/10-o | 37.510   | 50.72 (2.00)      | 30       |
| STLZ955/11-o | 37.511   | 55.80 (2.20)      | 20       |
| STLZ955/12-o | 37.512   | 60.88 (2.40)      | 20       |
| STLZ955/13-o | 37.513   | 65.96 (2.60)      | 20       |
| STLZ955/14-o | 37.514   | 71.04 (2.80)      | 20       |
| STLZ955/15-o | 37.515   | 76.12 (3.00)      | 20       |
| STLZ955/16-o | 37.516   | 81.20 (3.20)      | 15       |
| STLZ955/17-o | 37.517   | 86.28 (3.40)      | 15       |
| STLZ955/18-o | 37.518   | 91.36 (3.60)      | 15       |
| STLZ955/19-o | 37.519   | 96.44 (3.80)      | 15       |
| STLZ955/20-o | 37.520   | 101.52 (4.00)     | 15       |
| STLZ955/21-o | 37.521   | 106.60 (4.20)     | 10       |
| STLZ955/22-o | 37.522   | 111.68 (4.40)     | 10       |
| STLZ955/23-o | 37.523   | 116.76 (4.60)     | 10       |
| STLZ955/24-o | 37.524   | 121.84 (4.80)     | 10       |



# STANDARD PLUGGABLE PRINTED CIRCUIT US Pin Spacing<sup>a</sup> Headers

The 45° header orientation facilitates plug insertion and removal in hard to access spaces.

Closed end headers prevent misplugging.

- Multipole, Single Mold Construction
- Industry Standard Compatible
- Open and Closed Ends
- Housing Material: Polyamide 6.6
- Standard Color: Green



**STLZ990-W**  
Header  
45° - Closed Ends

Pin Spacing 5.08mm (.200)

Use with AKZ950, BU02, BU04, AKZ1200 Plugs



**STLZ990-O**  
Header  
45° - Open Ends

Pin Spacing 5.08mm (.200)

Use with AKZ950, BU02, BU04, AKZ1200 Plugs

<sup>a</sup>Blocks with metric pin spacing begin on page 132.

### Ratings



| Current | Voltage |
|---------|---------|
| 12A     | 250V    |
| 15A     | 300V    |
| 15A     | 300V    |

| Current | Voltage |
|---------|---------|
| 12A     | 250V    |
| 15A     | 300V    |
| 15A     | 300V    |

| Ordering Information          |  | No. of Poles | Type         | Cat. No. | Length L mm (in.) | Std. Pk. | Type         | Cat. No. | Length L mm (in.) | Std. Pk. |
|-------------------------------|--|--------------|--------------|----------|-------------------|----------|--------------|----------|-------------------|----------|
| Header, US (Inch) Pin Spacing |  | 2            | STLZ990/2-w  | 37.652   | 11.36 ( .45)      | 100      | STLZ990/2-o  | 37.752   | 10.20 ( .40)      | 100      |
|                               |  | 3            | STLZ990/3-w  | 37.653   | 16.44 ( .65)      | 100      | STLZ990/3-o  | 37.753   | 15.29 ( .60)      | 100      |
|                               |  | 4            | STLZ990/4-w  | 37.654   | 21.52 ( .85)      | 50       | STLZ990/4-o  | 37.754   | 20.37 ( .80)      | 50       |
|                               |  | 5            | STLZ990/5-w  | 37.655   | 26.60 (1.05)      | 50       | STLZ990/5-o  | 37.755   | 25.45 (1.00)      | 50       |
|                               |  | 6            | STLZ990/6-w  | 37.656   | 31.68 (1.25)      | 50       | STLZ990/6-o  | 37.756   | 30.53 (1.20)      | 50       |
|                               |  | 7            | STLZ990/7-w  | 37.657   | 36.76 (1.45)      | 30       | STLZ990/7-o  | 37.757   | 35.61 (1.40)      | 30       |
|                               |  | 8            | STLZ990/8-w  | 37.658   | 41.84 (1.65)      | 30       | STLZ990/8-o  | 37.758   | 40.69 (1.60)      | 30       |
|                               |  | 9            | STLZ990/9-w  | 37.659   | 46.92 (1.85)      | 30       | STLZ990/9-o  | 37.759   | 45.77 (2.00)      | 30       |
|                               |  | 10           | STLZ990/10-w | 37.660   | 52.00 (2.05)      | 30       | STLZ990/10-o | 37.760   | 50.85 (2.00)      | 30       |
|                               |  | 11           | STLZ990/11-w | 37.661   | 57.08 (2.25)      | 20       | STLZ990/11-o | 37.761   | 55.93 (2.20)      | 20       |
|                               |  | 12           | STLZ990/12-w | 37.662   | 62.16 (2.45)      | 20       | STLZ990/12-o | 37.762   | 61.01 (2.40)      | 20       |
|                               |  | 13           | STLZ990/13-w | 37.663   | 67.24 (2.65)      | 20       | STLZ990/13-o | 37.763   | 66.09 (2.60)      | 20       |
|                               |  | 14           | STLZ990/14-w | 37.664   | 72.32 (2.85)      | 20       | STLZ990/14-o | 37.764   | 71.17 (2.80)      | 20       |
|                               |  | 15           | STLZ990/15-w | 37.665   | 77.40 (3.05)      | 20       | STLZ990/15-o | 37.765   | 76.25 (3.00)      | 20       |
|                               |  | 16           | STLZ990/16-w | 37.666   | 82.48 (3.25)      | 15       | STLZ990/16-o | 37.766   | 81.33 (3.20)      | 15       |
|                               |  | 17           | STLZ990/17-w | 37.667   | 87.56 (3.45)      | 15       | STLZ990/17-o | 37.767   | 86.41 (3.40)      | 15       |
|                               |  | 18           | STLZ990/18-w | 37.668   | 92.64 (3.65)      | 15       | STLZ990/18-o | 37.768   | 91.49 (3.60)      | 15       |
|                               |  | 19           | STLZ990/19-w | 37.669   | 97.72 (3.85)      | 15       | STLZ990/19-o | 37.769   | 96.57 (3.80)      | 15       |
|                               |  | 20           | STLZ990/20-w | 37.670   | 102.80 (4.05)     | 15       | STLZ990/20-o | 37.770   | 101.65 (4.00)     | 15       |
|                               |  | 21           | STLZ990/21-w | 37.671   | 107.88 (4.25)     | 10       | STLZ990/21-o | 37.771   | 106.73 (4.20)     | 10       |
|                               |  | 22           | STLZ990/22-w | 37.672   | 112.96 (4.45)     | 10       | STLZ990/22-o | 37.772   | 111.81 (4.40)     | 10       |
|                               |  | 23           | STLZ990/23-w | 37.673   | 118.04 (4.65)     | 10       | STLZ990/23-o | 37.773   | 116.89 (4.60)     | 10       |
|                               |  | 24           | STLZ990/24-w | 37.674   | 123.13 (4.85)     | 10       | STLZ990/24-o | 37.774   | 121.97 (4.80)     | 10       |

| Dimensions |       |       |       |
|------------|-------|-------|-------|
| mm         | in.   | mm    | in.   |
| 1.00       | 0.039 | 5.08  | 0.200 |
| 2.56       | 0.101 | 14.00 | 0.551 |
| 3.14       | 0.124 | 14.50 | 0.571 |
| 3.50       | 0.138 | 16.50 | 0.650 |
| 3.90       | 0.154 |       |       |



## STANDARD PLUGGABLE PRINTED CIRCUIT US Pin Spacing<sup>a</sup> Double Level Headers

Horizontal and vertical open end headers offer different wire entry options and enhance plug accessibility. Ideal for applications where board real estate is limited or where high density wiring is required.

- Multipole, Modular Construction
- High Density
- Horizontal or Vertical, Open Ends
- Housing Material: Polyamide 6.6
- Standard Color: Green

<sup>a</sup>Blocks with metric pin spacing begin on page 132.



**STLZ970-0**  
Header  
Horizontal - Open Ends

Pin Spacing 5.08mm (.200)

Use with AKZ950, AKZ1200 Plugs



**STLZ975-0**  
Header  
Vertical - Open Ends

Pin Spacing 5.08mm (.200)

Use with AKZ950, AKZ1200 Plugs

**Ratings**  
IEC/VDE  
(File No. E101811)  
UL  
(File No. LR68503)

**Current**  
12A  
15A  
15A

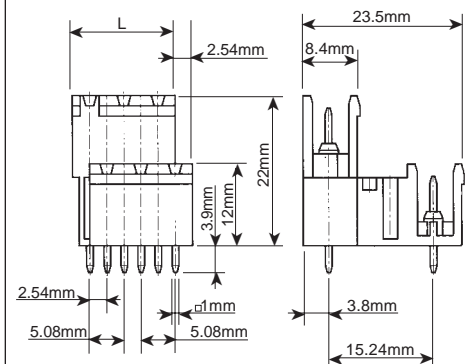
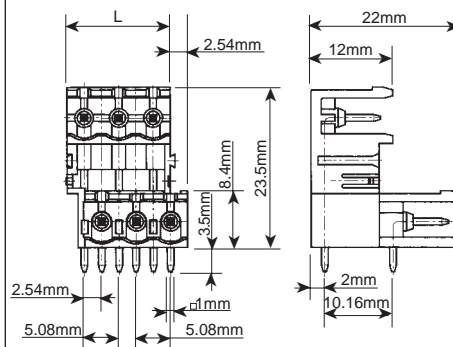
**Voltage**  
250V  
300V  
300V

**Current**  
12A  
15A  
15A

**Voltage**  
250V  
300V  
300V

| Ordering Information                          | No. of Poles | Type         | Cat. No. | Length L mm (in.) | Std. Pk. | Type         | Cat. No. | Length L mm (in.) | Std. Pk. |
|---|--------------|--------------|----------|-------------------|----------|--------------|----------|-------------------|----------|
| Double Level Header,<br>US (Inch) Pin Spacing | 4            | STLZ970/4-o  | 37.854   | 12.26 (.48)       | 60       | STLZ975/4-o  | 37.804   | 12.26 (.48)       | 60       |
|   | 6            | STLZ970/6-o  | 37.856   | 17.34 (.68)       | 40       | STLZ975/6-o  | 37.806   | 17.34 (.68)       | 40       |
|   | 8            | STLZ970/8-o  | 37.858   | 22.42 (.88)       | 30       | STLZ975/8-o  | 37.808   | 22.42 (.88)       | 30       |
|   | 10           | STLZ970/10-o | 37.860   | 27.50 (1.08)      | 24       | STLZ975/10-o | 37.810   | 27.50 (1.08)      | 24       |
|   | 12           | STLZ970/12-o | 37.862   | 32.58 (1.28)      | 20       | STLZ975/12-o | 37.812   | 32.58 (1.28)      | 20       |
|   | 14           | STLZ970/14-o | 37.864   | 37.66 (1.48)      | 17       | STLZ975/14-o | 37.814   | 37.66 (1.48)      | 17       |
|   | 16           | STLZ970/16-o | 37.866   | 42.74 (1.68)      | 15       | STLZ975/16-o | 37.816   | 42.74 (1.68)      | 15       |
|   | 18           | STLZ970/18-o | 37.868   | 47.82 (1.88)      | 13       | STLZ975/18-o | 37.818   | 47.82 (1.88)      | 13       |
|   | 20           | STLZ970/20-o | 37.870   | 52.90 (2.08)      | 12       | STLZ975/20-o | 37.820   | 52.90 (2.08)      | 12       |
|   | 22           | STLZ970/22-o | 37.872   | 57.98 (2.28)      | 11       | STLZ975/22-o | 37.822   | 57.98 (2.28)      | 11       |
|   | 24           | STLZ970/24-o | 37.874   | 63.06 (2.48)      | 10       | STLZ975/24-o | 37.824   | 63.06 (2.48)      | 10       |
|   | 26           | STLZ970/26-o | 37.876   | 68.14 (2.68)      | 9        | STLZ975/26-o | 37.826   | 68.14 (2.68)      | 9        |
|   | 28           | STLZ970/28-o | 37.878   | 73.22 (2.88)      | 9        | STLZ975/28-o | 37.828   | 73.22 (2.88)      | 9        |
|   | 30           | STLZ970/30-o | 37.880   | 78.30 (3.08)      | 8        | STLZ975/30-o | 37.830   | 78.30 (3.08)      | 8        |
|   | 32           | STLZ970/32-o | 37.882   | 83.38 (3.28)      | 8        | STLZ975/32-o | 37.832   | 83.38 (3.28)      | 8        |
|   | 34           | STLZ970/34-o | 37.884   | 88.46 (3.48)      | 7        | STLZ975/34-o | 37.834   | 88.46 (3.48)      | 7        |
|   | 36           | STLZ970/36-o | 37.886   | 93.54 (3.68)      | 7        | STLZ975/36-o | 37.836   | 93.54 (3.68)      | 7        |
|   | 38           | STLZ970/38-o | 37.888   | 98.62 (3.88)      | 6        | STLZ975/38-o | 37.838   | 98.62 (3.88)      | 6        |
|   | 40           | STLZ970/40-o | 37.890   | 103.70 (4.08)     | 6        | STLZ975/40-o | 37.840   | 103.70 (4.08)     | 6        |
|   | 42           | STLZ970/42-o | 37.892   | 108.78 (4.28)     | 6        | STLZ975/42-o | 37.842   | 108.78 (4.28)     | 6        |
|   | 44           | STLZ970/44-o | 37.894   | 113.86 (4.48)     | 5        | STLZ975/44-o | 37.844   | 113.86 (4.48)     | 5        |
|   | 46           | STLZ970/46-o | 37.896   | 118.94 (4.68)     | 5        | STLZ975/46-o | 37.846   | 118.94 (4.68)     | 5        |
|   | 48           | STLZ970/48-o | 37.898   | 124.02 (4.88)     | 5        | STLZ975/48-o | 37.848   | 124.02 (4.88)     | 5        |

| mm   | in.   | mm    | in.   |
|------|-------|-------|-------|
| 1.00 | 0.039 | 10.16 | 0.400 |
| 2.00 | 0.079 | 12.00 | 0.472 |
| 2.54 | 0.100 | 15.24 | 0.600 |
| 3.50 | 0.138 | 22.00 | 0.866 |
| 3.80 | 0.150 | 23.50 | 0.925 |
| 5.08 | 0.200 |       |       |
| 8.40 | 0.331 |       |       |





# MAXI-PLUGGABLE PRINTED CIRCUIT US Pin Spacing<sup>a</sup> Screw-Cage Clamp Plug

For standard industrial plug-in applications where multiple wire-to-board connections must be made quickly and simultaneously.

Reduce wiring mistakes, downtime and facilitate troubleshooting. Simply unplug defective board and plug in a new one.

- Multipole, Single Mold Construction
- Industry Standard Compatible
- Locking Tabs Prevent Unplugging
- Optional Keying Prevents Misplugging
- Housing Material: Polyamide 6.6
- Standard Color: Green



## AKZ960 Plug

Wire Entry in Same Direction as Plug-In

Pole Spacing 7.62mm (.300)  
Stripping Length 7mm (.276)  
Screw Hole Diameter 4mm (.158)

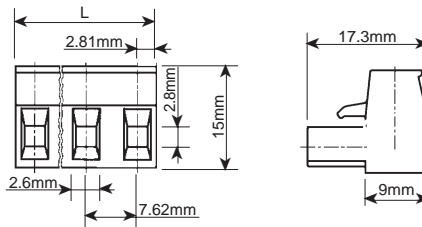
Use with STLZ960-W, STLZ965-W Headers

<sup>a</sup>Blocks with metric pin spacing begin on page 132.

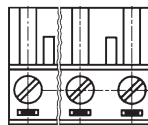
**Ratings**  
IEC/VDE  
UL (File No. E101811)  
CSA (File No. LR68503)

| Wire Range             | Current | Voltage |
|------------------------|---------|---------|
| 0.5-2.5mm <sup>2</sup> | 12A     | 400V    |
| 22-12 AWG              | 15A     | 300V    |
| 28-12 AWG              | 16A     | 300V    |

| Ordering Information         | No. of Poles | Type      | Cat. No. | Length L<br>mm (in.) | Std. Pk. |
|------------------------------|--------------|-----------|----------|----------------------|----------|
| Plug, US (Inch) Pole Spacing | 2            | AKZ960/2  | 38.002   | 13.27 ( .52)         | 100      |
|                              | 3            | AKZ960/3  | 38.003   | 20.86 ( .82)         | 100      |
|                              | 4            | AKZ960/4  | 38.004   | 28.48 (1.12)         | 50       |
|                              | 5            | AKZ960/5  | 38.005   | 36.10 (1.42)         | 50       |
|                              | 6            | AKZ960/6  | 38.006   | 43.72 (1.72)         | 50       |
|                              | 7            | AKZ960/7  | 38.007   | 51.34 (2.02)         | 30       |
|                              | 8            | AKZ960/8  | 38.008   | 58.96 (2.32)         | 30       |
|                              | 9            | AKZ960/9  | 38.009   | 66.58 (2.62)         | 30       |
|                              | 10           | AKZ960/10 | 38.010   | 74.20 (2.92)         | 30       |
|                              | 11           | AKZ960/11 | 38.011   | 81.82 (3.22)         | 20       |
|                              | 12           | AKZ960/12 | 38.012   | 89.44 (3.52)         | 20       |
|                              | 13           | AKZ960/13 | 38.013   | 97.06 (3.82)         | 20       |
|                              | 14           | AKZ960/14 | 38.014   | 104.68 (4.12)        | 20       |
|                              | 15           | AKZ960/15 | 38.015   | 112.30 (4.42)        | 20       |
|                              | 16           | AKZ960/16 | 38.016   | 119.92 (4.72)        | 15       |



| mm   |       | in.   |       |
|------|-------|-------|-------|
| 2.60 | 0.102 | 9.00  | 0.354 |
| 2.80 | 0.110 | 15.00 | 0.591 |
| 2.81 | 0.111 | 17.30 | 0.681 |
| 7.62 | 0.300 |       |       |



## MAXI-PLUGGABLE PRINTED CIRCUIT US Pin Spacing<sup>a</sup> Headers

Horizontal or vertical headers offer different wire entry options and enhance plug accessibility. Closed end headers prevent misplugging.

- Multipole, Single Mold Construction
- Industry Standard Compatible
- Horizontal and Vertical, Closed Ends
- Housing Material: Polyamide 6.6
- Standard Color: Green

**Ratings**  
IEC/VDE  
UL (File No. E101811)  
CS (File No. LR68503)

**Ordering Information**  
Header, US (Inch) Pin Spacing

| No. of Poles | Type         | Cat. No. | Length L<br>mm (in.) | Std. Pk. | Type         | Cat. No. | Length L<br>mm (in.) | Std. |
|--------------|--------------|----------|----------------------|----------|--------------|----------|----------------------|------|
| 2            | STLZ960/2-w  | 38.102   | 15.24 ( .60)         | 100      | STLZ965/2-w  | 38.202   | 15.24 ( .60)         | 100  |
| 3            | STLZ960/3-w  | 38.103   | 22.86 ( .90)         | 100      | STLZ965/3-w  | 38.203   | 22.86 ( .90)         | 100  |
| 4            | STLZ960/4-w  | 38.104   | 30.48 (1.20)         | 50       | STLZ965/4-w  | 38.204   | 30.48 (1.20)         | 50   |
| 5            | STLZ960/5-w  | 38.105   | 38.10 (1.50)         | 50       | STLZ965/5-w  | 38.205   | 38.10 (1.50)         | 50   |
| 6            | STLZ960/6-w  | 38.106   | 45.72 (1.80)         | 50       | STLZ965/6-w  | 38.206   | 45.72 (1.80)         | 50   |
| 7            | STLZ960/7-w  | 38.107   | 53.34 (2.10)         | 30       | STLZ965/7-w  | 38.207   | 53.34 (2.10)         | 30   |
| 8            | STLZ960/8-w  | 38.108   | 60.96 (2.40)         | 30       | STLZ965/8-w  | 38.208   | 60.96 (2.40)         | 30   |
| 9            | STLZ960/9-w  | 38.109   | 68.58 (2.70)         | 30       | STLZ965/9-w  | 38.209   | 68.58 (2.70)         | 30   |
| 10           | STLZ960/10-w | 38.110   | 76.20 (3.00)         | 30       | STLZ965/10-w | 38.210   | 76.20 (3.00)         | 30   |
| 11           | STLZ960/11-w | 38.111   | 83.82 (3.30)         | 20       | STLZ965/11-w | 38.211   | 83.82 (3.30)         | 20   |
| 12           | STLZ960/12-w | 38.112   | 91.44 (3.60)         | 20       | STLZ965/12-w | 38.212   | 91.44 (3.60)         | 20   |
| 13           | STLZ960/13-w | 38.113   | 99.06 (3.90)         | 20       | STLZ965/13-w | 38.213   | 99.06 (3.90)         | 20   |
| 14           | STLZ960/14-w | 38.114   | 106.68 (4.20)        | 20       | STLZ965/14-w | 38.214   | 106.68 (4.20)        | 20   |
| 15           | STLZ960/15-w | 38.115   | 114.30 (4.50)        | 20       | STLZ965/15-w | 38.215   | 114.30 (4.50)        | 20   |
| 16           | STLZ960/16-w | 38.116   | 121.92 (4.80)        | 15       | STLZ965/16-w | 38.216   | 121.92 (4.80)        | 15   |

| mm   | in.   | mm    | in.   |
|------|-------|-------|-------|
| 1.00 | 0.390 | 3.90  | 0.015 |
| 2.00 | 0.079 | 7.62  | 0.300 |
| 3.50 | 0.138 | 7.90  | 0.311 |
| 3.80 | 0.150 | 8.40  | 0.331 |
| 3.81 | 0.150 | 12.00 | 0.472 |

**Dimensions**



### STLZ960-W

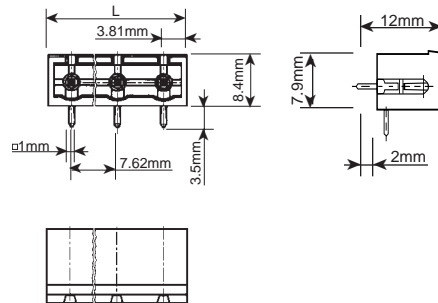
Horizontal Header - Closed Ends

Pin Spacing 7.62mm (.300)

Use with AKZ960 Plug

| Current | Voltage |
|---------|---------|
| 12A     | 400V    |
| 15A     | 300V    |
| 16A     | 300V    |

| Type         | Cat. No. | Length L<br>mm (in.) | Std. Pk. |
|--------------|----------|----------------------|----------|
| STLZ960/2-w  | 38.102   | 15.24 ( .60)         | 100      |
| STLZ960/3-w  | 38.103   | 22.86 ( .90)         | 100      |
| STLZ960/4-w  | 38.104   | 30.48 (1.20)         | 50       |
| STLZ960/5-w  | 38.105   | 38.10 (1.50)         | 50       |
| STLZ960/6-w  | 38.106   | 45.72 (1.80)         | 50       |
| STLZ960/7-w  | 38.107   | 53.34 (2.10)         | 30       |
| STLZ960/8-w  | 38.108   | 60.96 (2.40)         | 30       |
| STLZ960/9-w  | 38.109   | 68.58 (2.70)         | 30       |
| STLZ960/10-w | 38.110   | 76.20 (3.00)         | 30       |
| STLZ960/11-w | 38.111   | 83.82 (3.30)         | 20       |
| STLZ960/12-w | 38.112   | 91.44 (3.60)         | 20       |
| STLZ960/13-w | 38.113   | 99.06 (3.90)         | 20       |
| STLZ960/14-w | 38.114   | 106.68 (4.20)        | 20       |
| STLZ960/15-w | 38.115   | 114.30 (4.50)        | 20       |
| STLZ960/16-w | 38.116   | 121.92 (4.80)        | 15       |



### STLZ965-W

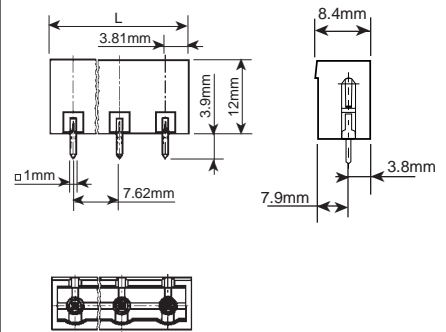
Vertical Header - Closed Ends

Pin Spacing 7.62mm (.300)

Use with AKZ960 Plug

| Current | Voltage |
|---------|---------|
| 12A     | 400V    |
| 15A     | 300V    |
| 16A     | 300V    |

| Type         | Cat. No. | Length L<br>mm (in.) | Std. |
|--------------|----------|----------------------|------|
| STLZ965/2-w  | 38.202   | 15.24 ( .60)         | 100  |
| STLZ965/3-w  | 38.203   | 22.86 ( .90)         | 100  |
| STLZ965/4-w  | 38.204   | 30.48 (1.20)         | 50   |
| STLZ965/5-w  | 38.205   | 38.10 (1.50)         | 50   |
| STLZ965/6-w  | 38.206   | 45.72 (1.80)         | 50   |
| STLZ965/7-w  | 38.207   | 53.34 (2.10)         | 30   |
| STLZ965/8-w  | 38.208   | 60.96 (2.40)         | 30   |
| STLZ965/9-w  | 38.209   | 68.58 (2.70)         | 30   |
| STLZ965/10-w | 38.210   | 76.20 (3.00)         | 30   |
| STLZ965/11-w | 38.211   | 83.82 (3.30)         | 20   |
| STLZ965/12-w | 38.212   | 91.44 (3.60)         | 20   |
| STLZ965/13-w | 38.213   | 99.06 (3.90)         | 20   |
| STLZ965/14-w | 38.214   | 106.68 (4.20)        | 20   |
| STLZ965/15-w | 38.215   | 114.30 (4.50)        | 20   |
| STLZ965/16-w | 38.216   | 121.92 (4.80)        | 15   |



## Данный компонент на территории Российской Федерации

### Вы можете приобрести в компании MosChip.

Для оперативного оформления запроса Вам необходимо перейти по данной ссылке:

<http://moschip.ru/get-element>

Вы можете разместить у нас заказ для любого Вашего проекта, будь то серийное производство или разработка единичного прибора.

В нашем ассортименте представлены ведущие мировые производители активных и пассивных электронных компонентов.

Нашей специализацией является поставка электронной компонентной базы двойного назначения, продукции таких производителей как XILINX, Intel (ex.ALTERA), Vicor, Microchip, Texas Instruments, Analog Devices, Mini-Circuits, Amphenol, Glenair.

Сотрудничество с глобальными дистрибьюторами электронных компонентов, предоставляет возможность заказывать и получать с международных складов практически любой перечень компонентов в оптимальные для Вас сроки.

На всех этапах разработки и производства наши партнеры могут получить квалифицированную поддержку опытных инженеров.

Система менеджмента качества компании отвечает требованиям в соответствии с ГОСТ Р ИСО 9001, ГОСТ РВ 0015-002 и ЭС РД 009

### Офис по работе с юридическими лицами:

105318, г.Москва, ул.Щербаковская д.3, офис 1107, 1118, ДЦ «Щербаковский»

Телефон: +7 495 668-12-70 (многоканальный)

Факс: +7 495 668-12-70 (доб.304)

E-mail: [info@moschip.ru](mailto:info@moschip.ru)

Skype отдела продаж:

moschip.ru

moschip.ru\_4

moschip.ru\_6

moschip.ru\_9