

**4.0W CLASS-G AUDIO AMPLIFIER WITH INTEGRATED BOOST CONVERTER AND BATTERY TRACKING AGC**
**NEW PRODUCT**
**Description**

The PAM8945 is a high efficiency Class-G audio power amplifier with an integrated boost converter. It drives up to 4.0W (10% THD+N) into a 4Ω speaker. With 85% typical efficiency, the PAM8945 helps extend battery life when playing audio.

The built-in boost converter generates the voltage rail for the output stage. This provides a louder audio output than a stand-alone amplifier connected directly to the battery. It also maintains a consistent loudness, regardless of battery voltage.

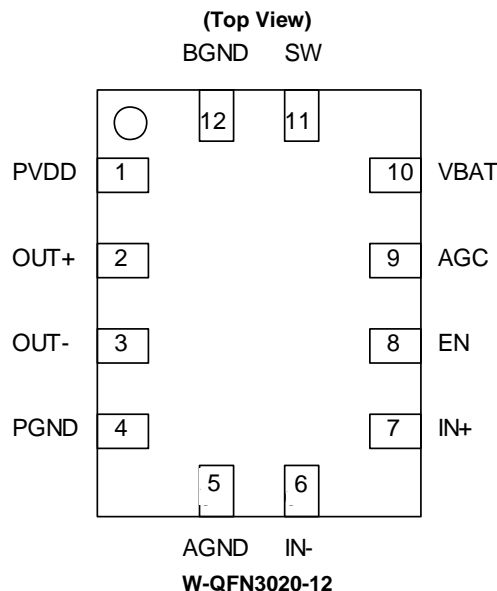
The PAM8945 features battery tracking AGC function which adjusts the amplifier gain to limit battery current at lower battery voltage.

The PAM8945 features DC input protection and all outputs are fully protected against output-to-output shorts. The PAM8945 is available in tiny W-QFN3020-12 package.

**Features**

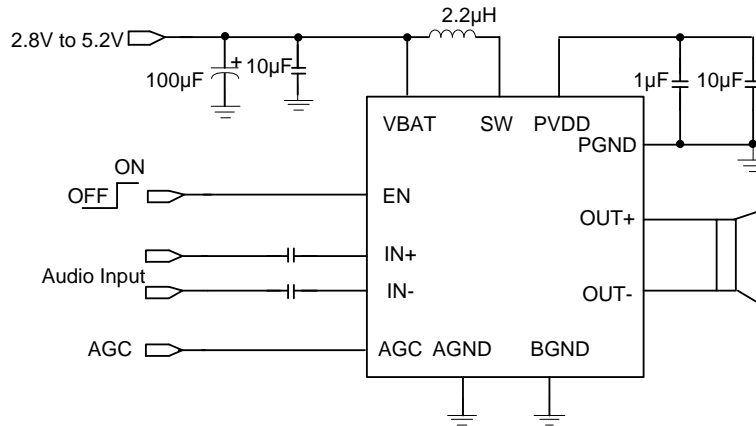
- Built-In Battery Tracking Automatic Gain Control (AGC)
- High Efficiency Integrated Boost Converter Over 85%
- 4.0W into a 4Ω Load at 10% THD
- 3.2W into a 4Ω Load at 1% THD
- Operates from 2.8V to 5.2V
- Efficient Class-G Prolongs Battery Life
- Minimized ON/OFF Pop Noise
- Superior Low Noise
- High PSRR
- DC Input Protection
- Auto-Recovery Short-Circuit Protection
- Thermal Shutdown
- Available in 2.0mm X 3.0mm 12L W-QFN Package
- **Totally Lead-Free & Fully RoHS Compliant (Notes 1 & 2)**
- **Halogen and Antimony Free. "Green" Device (Note 3)**

- Notes:
1. No purposely added lead. Fully EU Directive 2002/95/EC (RoHS) & 2011/65/EU (RoHS 2) compliant.
  2. See [http://www.diodes.com/quality/lead\\_free.html](http://www.diodes.com/quality/lead_free.html) for more information about Diodes Incorporated's definitions of Halogen- and Antimony-free, "Green" and Lead-free.
  3. Halogen- and Antimony-free "Green" products are defined as those which contain <900ppm bromine, <900ppm chlorine (<1500ppm total Br + Cl) and <1000ppm antimony compounds.

**Pin Assignments**

**Applications**

- Cell Phones
- PDA
- GPS
- Portable Electronics
- Speakers

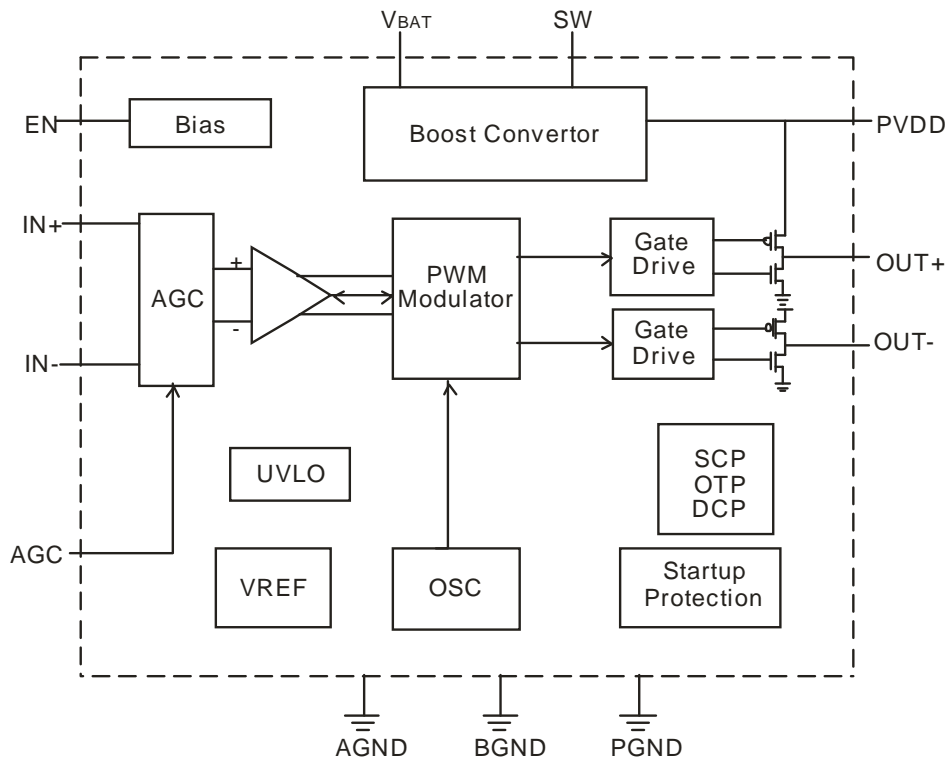
**Typical Applications Circuit**



**Pin Descriptions**

Pin Number	Pin Name	Description
1	PVDD	Boost Converter Output and Amplifier Power Supply
2	OUT+	Amplifier Positive Audio Output
3	OUT-	Amplifier Negative Audio Output
4	PGND	Power Ground
5	AGND	Analog Ground
6	IN-	Negative Audio Input
7	IN+	Positive Audio Input
8	EN	Shutdown Terminal for the Chip
9	AGC	AGC Setting Gain
10	VBAT	Supply Voltage
11	SW	Boost Converter Switching
12	BGND	Power Ground

NEW PRODUCT

**Functional Block Diagram**

**NEW PRODUCT**
**Absolute Maximum Ratings** (@ $T_A = +25^\circ\text{C}$ , unless otherwise specified.)

Symbol	Parameter	Value	Unit
$V_{BAT}$	Supply Voltage	-0.3 to 6.0	V
$V_I$	Input Voltage, EN, IN+, IN-, AGC	-0.3 to $V_{BAT} + 0.3$	V
$T_A$	Operating Free-air Temperature Range	-40 to +85	$^\circ\text{C}$
$T_J$	Operating Junction Temperature Range	-40 to +150	$^\circ\text{C}$
$T_{STG}$	Storage Temperature Range	-65 to +150	$^\circ\text{C}$

**Recommended Operating Conditions** (@ $T_A = +25^\circ\text{C}$ , unless otherwise specified.)

Symbol	Parameter	Min	Max	Unit
$V_{BAT}$	Supply Voltage	2.8	5.2	V
$V_{IH}$	High-Level Input Voltage	EN	$V_{BAT}$	V
$V_{IL}$	Low-Level Input Voltage	EN	0.6	V
$T_A$	Operating Free-Air Temperature	-40	+85	$^\circ\text{C}$

**Thermal Information**

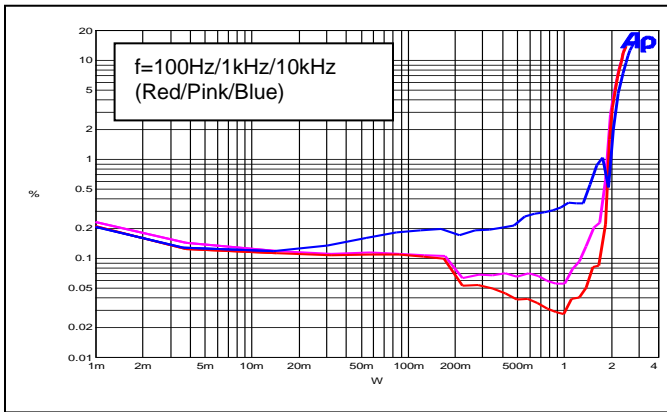
Symbol	Parameter	Package	Max	Unit
$\theta_{JA}$	Thermal Resistance (Junction to Ambient)	W-QFN3020-12	62	$^\circ\text{C}/\text{W}$
$\theta_{Jc}$	Thermal Resistance (Junction to Case)	W-QFN3020-12	11	

**Electrical Characteristics** (@V<sub>BAT</sub>=3.6V, AGC=GND, T<sub>A</sub> = +25°C, R<sub>L</sub>=4Ω +33uH, unless otherwise specified.)

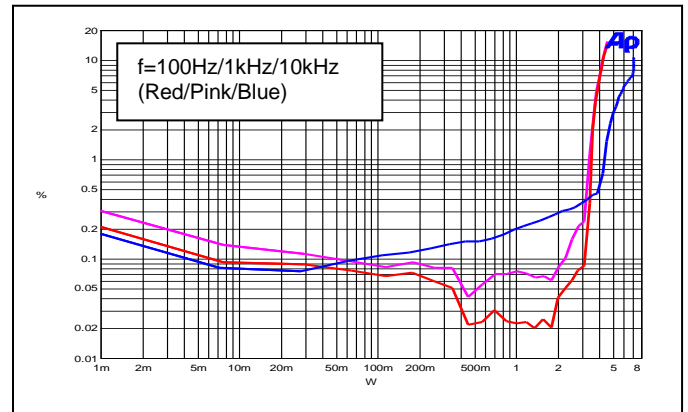
Symbol	Parameter	Test Conditions		Min	Typ	Max	Unit
V <sub>BAT</sub>	Supply Voltage	—		2.8	—	5.2	V
P <sub>O</sub>	Output Power	THD+N=10%, f=1kHz	V <sub>BAT</sub> =3.6V	—	4.0	—	W
		THD+N=1%, f=1kHz		—	3.2	—	W
THD+N	Total Harmonic Distortion Plus Noise	P <sub>O</sub> =1.0W, R <sub>L</sub> =8Ω	f=1kHz	—	0.07	—	%
		P <sub>O</sub> =2W, R <sub>L</sub> =4Ω		—	0.15	—	
PSRR	Power Supply Ripple Rejection	V <sub>BAT</sub> =3.6V, Input AC - ground with C=1μF	f=217Hz	—	70	—	dB
			f=1kHz	—	70	—	
			f=10kHz	—	67	—	
SNR	Signal-To-Noise Ratio	A-weighting	THD+N=1%	—	95	—	dB
V <sub>OP</sub>	Peak Output Voltage	V <sub>BAT</sub> =3.6V	f=1kHz	—	5.75	—	V
V <sub>O_TH</sub>	Boost Convertor Auto-Pass Through Threshold	—	—	—	2	—	V(Peak)
V <sub>N</sub>	Output Noise	Input AC-ground	No A-weighting	—	100	—	μV
			A-weighting	—	60	—	
η	Efficiency	R <sub>L</sub> =8Ω, P <sub>O</sub> =1W	f=1kHz	—	86	—	%
I <sub>Q</sub>	Quiescent Current	V <sub>BAT</sub> =3.6V	No Load	—	4	—	mA
I <sub>SD</sub>	Shutdown Current	V <sub>BAT</sub> =2.8V to 5.2V	EN=0V	—	—	1	μA
R <sub>DS(ON)</sub>	Static Drain-to-Source On-State Resistor	High Side PMOS, I=500mA	V <sub>BAT</sub> =5V	—	260	—	mΩ
		Low Side NMOS, I=500mA	V <sub>BAT</sub> =5V	—	160	—	mΩ
f <sub>SW</sub>	Switching Frequency	V <sub>BAT</sub> =2.8V to 5.2V	Boost	—	1200	—	kHz
			Class D	—	300	—	
G <sub>V</sub>	Closed-Loop Gain	—	—	—	20	—	dB
R <sub>IN</sub>	Input Impedance	A <sub>v</sub> =20dB	—	—	24	—	KΩ
V <sub>OS</sub>	Output Offset Voltage	Input AC-ground	—	—	—	20	mV
I <sub>PEAK</sub>	Convertor SW Peak Current	V <sub>BAT</sub> =3.6V	—	—	4	—	A
t <sub>ON</sub>	Start-Up Time From EN	—	—	—	6	—	ms
V <sub>IH</sub>	En Input High Voltage	V <sub>BAT</sub> =5V	—	1.3	—	—	V
V <sub>IL</sub>	En Input Low Voltage	V <sub>BAT</sub> =5V	—	—	—	0.6	

**Performance Characteristics** (@ $V_{BAT}=3.6V$ ,  $AGC=GND$ ,  $T_A = +25^\circ C$ ,  $R_L=8\Omega +33\mu H$ , unless otherwise specified.)

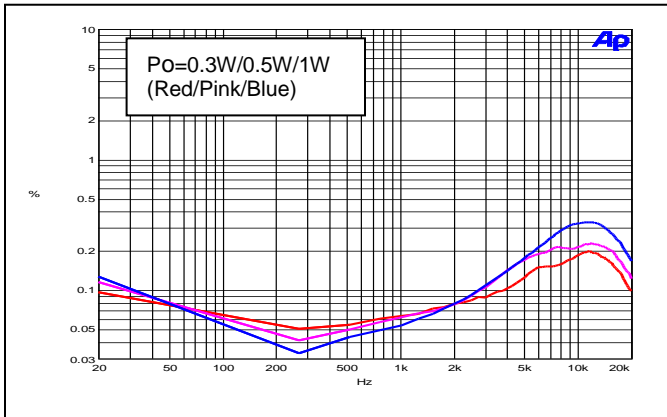
**THD+N vs. Output Power ( $R_L = 8\Omega$ )**



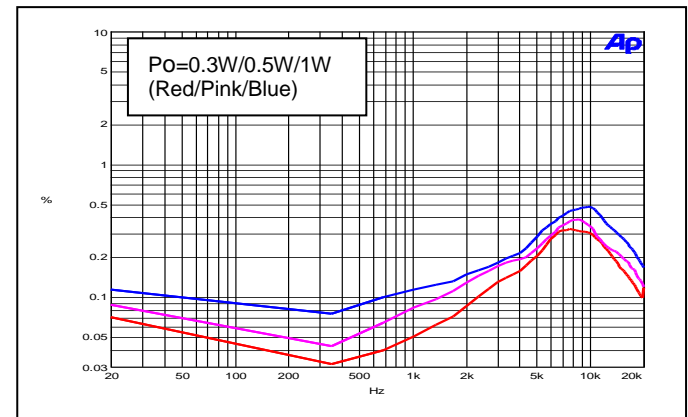
**THD+N vs. Output Power ( $R_L = 4\Omega$ )**



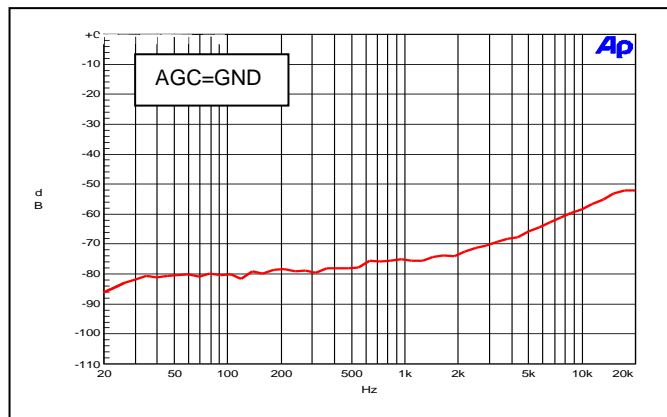
**THD+N vs. Frequency ( $R_L = 8\Omega$ )**



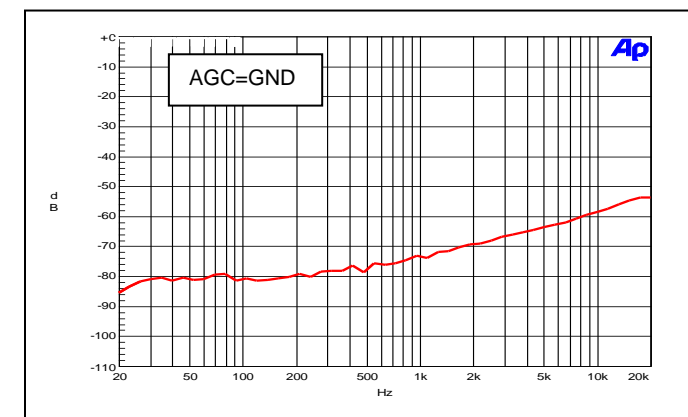
**THD+N vs. Frequency ( $R_L = 4\Omega$ )**



**PSRR vs. Frequency ( $R_L = 8\Omega$ )**



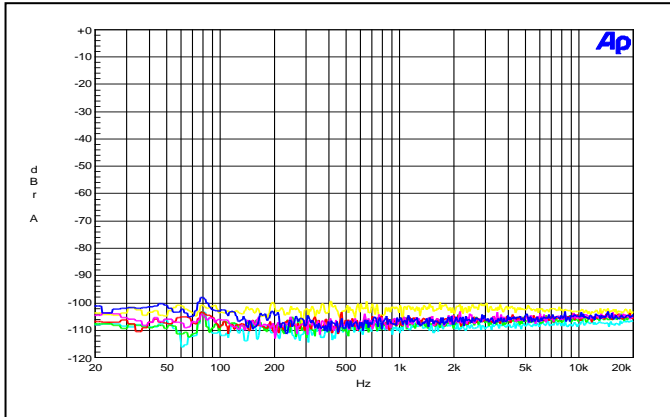
**PSRR vs. Frequency ( $R_L = 4\Omega$ )**



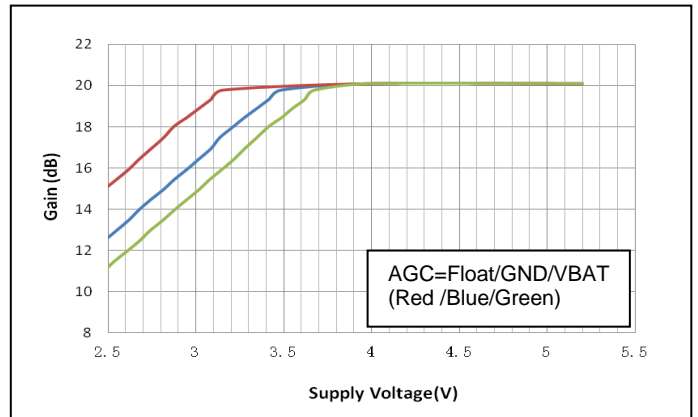
NEW PRODUCT

**Performance Characteristics** (@V<sub>BAT</sub>=3.6V, AGC=GND, T<sub>A</sub> = +25°C, R<sub>L</sub>=8Ω +33μH, unless otherwise specified.)

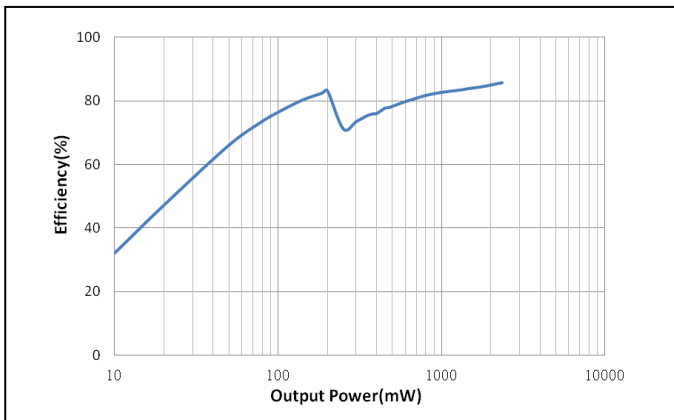
**Noise Floor (R<sub>L</sub> =8Ω)**



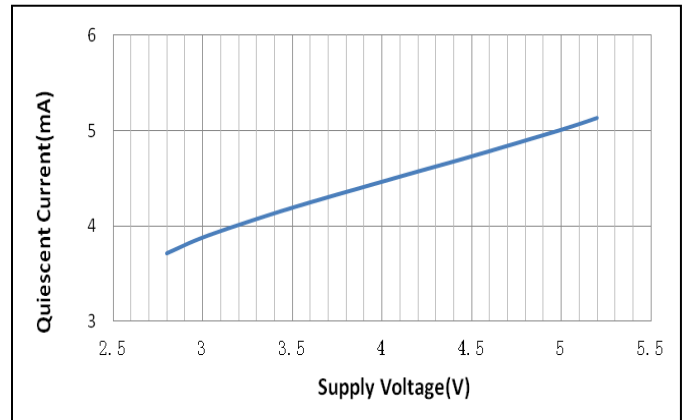
**Gain vs. Supply Voltage**



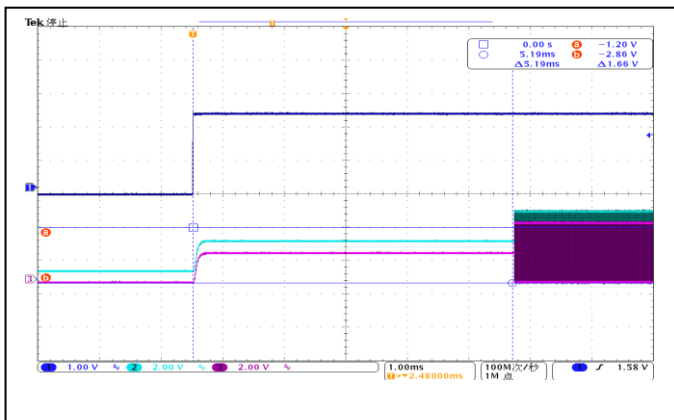
**Efficiency vs. Output Power (R<sub>L</sub> =8Ω)**



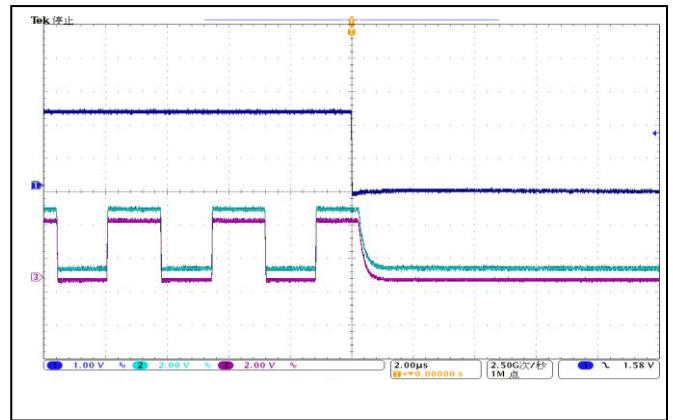
**Quiescent Current vs. Supply Voltage**



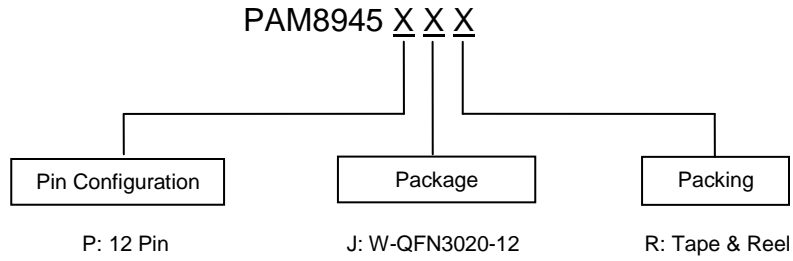
**Start Up**



**Shutdown**



**Ordering Information** (Note 4)



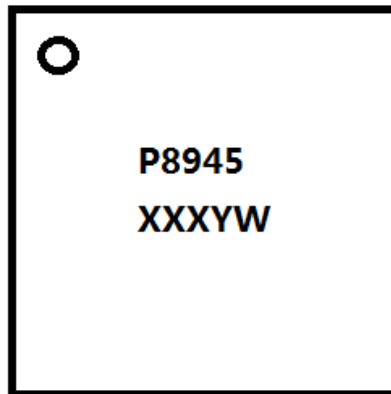
Part Number	Package	7" Tape and Reel	
		Quantity	Part Number Suffix
PAM8945PJR	W-QFN3020-12	3000/Tape & Reel	-7

Note: 4. For packaging details, go to our website at <http://www.diodes.com/products/packages.html>.

**Marking Information**

W-QFN3020-12

(Top View)

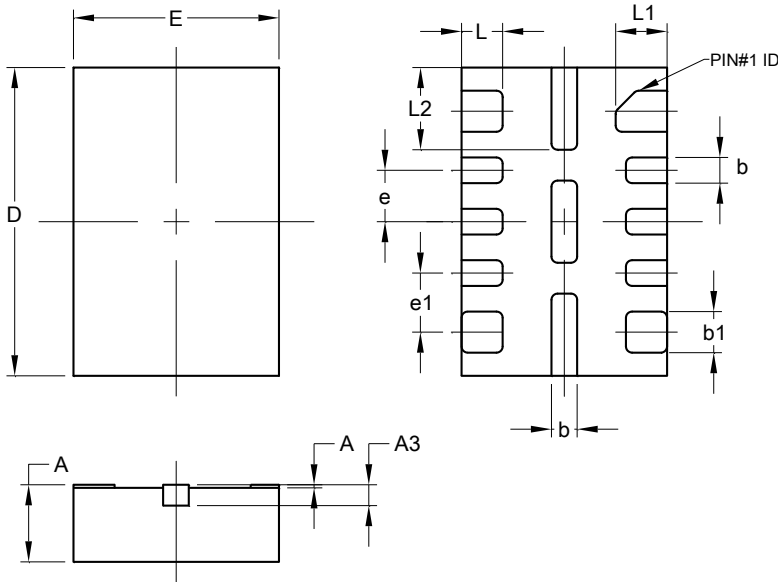


P8945: Product Code  
 X: Internal Code  
 Y: Year 0~9  
 W: Week: A~Z: 1~26 weeks;  
 a~z: 27~52 weeks; z  
 represents 52 and 53 weeks.

**Package Outline Dimensions**

Please see AP02002 at <http://www.diodes.com/datasheets/ap02002.pdf> for the latest version.

**W-QFN3020-12**

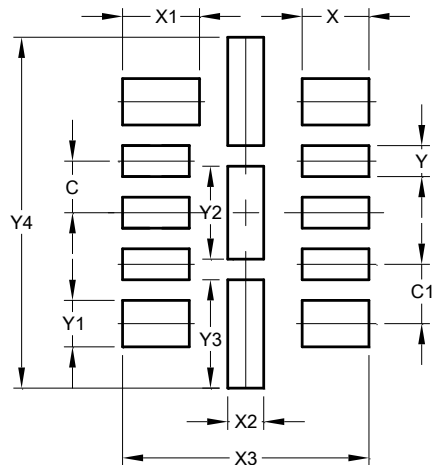


W-QFN3020-12			
Dim	Min	Max	Typ
A	0.700	0.800	-
A1	0	0.05	-
A3	0.203REF		
b	0.200	0.300	-
b1	0.350	0.450	-
D	1.900	2.100	2.000
E	2.900	3.100	3.000
e	-	-	0.500
e1	-	-	0.575
L	0.350	0.450	-
L1	0.450	0.550	-
L2	0.750	0.850	-
All Dimensions in mm			

**Suggested Pad Layout**

Please see AP02001 at <http://www.diodes.com/datasheets/ap02001.pdf> for the latest version.

**W-QFN3020-12**



Dimensions	Value (in mm)
C	0.500
G	0.575
X	0.650
X1	0.750
X2	0.350
X3	2.400
Y	0.300
Y1	0.450
Y2	0.900
Y3	1.050
Y4	3.400



### IMPORTANT NOTICE

DIODES INCORPORATED MAKES NO WARRANTY OF ANY KIND, EXPRESS OR IMPLIED, WITH REGARDS TO THIS DOCUMENT, INCLUDING, BUT NOT LIMITED TO, THE IMPLIED WARRANTIES OF MERCHANTABILITY AND FITNESS FOR A PARTICULAR PURPOSE (AND THEIR EQUIVALENTS UNDER THE LAWS OF ANY JURISDICTION).

Diodes Incorporated and its subsidiaries reserve the right to make modifications, enhancements, improvements, corrections or other changes without further notice to this document and any product described herein. Diodes Incorporated does not assume any liability arising out of the application or use of this document or any product described herein; neither does Diodes Incorporated convey any license under its patent or trademark rights, nor the rights of others. Any Customer or user of this document or products described herein in such applications shall assume all risks of such use and will agree to hold Diodes Incorporated and all the companies whose products are represented on Diodes Incorporated website, harmless against all damages.

Diodes Incorporated does not warrant or accept any liability whatsoever in respect of any products purchased through unauthorized sales channel. Should Customers purchase or use Diodes Incorporated products for any unintended or unauthorized application, Customers shall indemnify and hold Diodes Incorporated and its representatives harmless against all claims, damages, expenses, and attorney fees arising out of, directly or indirectly, any claim of personal injury or death associated with such unintended or unauthorized application.

Products described herein may be covered by one or more United States, international or foreign patents pending. Product names and markings noted herein may also be covered by one or more United States, international or foreign trademarks.

This document is written in English but may be translated into multiple languages for reference. Only the English version of this document is the final and determinative format released by Diodes Incorporated.

### LIFE SUPPORT

Diodes Incorporated products are specifically not authorized for use as critical components in life support devices or systems without the express written approval of the Chief Executive Officer of Diodes Incorporated. As used herein:

A. Life support devices or systems are devices or systems which:

1. are intended to implant into the body, or
2. support or sustain life and whose failure to perform when properly used in accordance with instructions for use provided in the labeling can be reasonably expected to result in significant injury to the user.

B. A critical component is any component in a life support device or system whose failure to perform can be reasonably expected to cause the failure of the life support device or to affect its safety or effectiveness.

Customers represent that they have all necessary expertise in the safety and regulatory ramifications of their life support devices or systems, and acknowledge and agree that they are solely responsible for all legal, regulatory and safety-related requirements concerning their products and any use of Diodes Incorporated products in such safety-critical, life support devices or systems, notwithstanding any devices- or systems-related information or support that may be provided by Diodes Incorporated. Further, Customers must fully indemnify Diodes Incorporated and its representatives against any damages arising out of the use of Diodes Incorporated products in such safety-critical, life support devices or systems.

Copyright © 2015, Diodes Incorporated

[www.diodes.com](http://www.diodes.com)

## Данный компонент на территории Российской Федерации

### Вы можете приобрести в компании MosChip.

Для оперативного оформления запроса Вам необходимо перейти по данной ссылке:

<http://moschip.ru/get-element>

Вы можете разместить у нас заказ для любого Вашего проекта, будь то серийное производство или разработка единичного прибора.

В нашем ассортименте представлены ведущие мировые производители активных и пассивных электронных компонентов.

Нашей специализацией является поставка электронной компонентной базы двойного назначения, продукции таких производителей как XILINX, Intel (ex.ALTERA), Vicor, Microchip, Texas Instruments, Analog Devices, Mini-Circuits, Amphenol, Glenair.

Сотрудничество с глобальными дистрибьюторами электронных компонентов, предоставляет возможность заказывать и получать с международных складов практически любой перечень компонентов в оптимальные для Вас сроки.

На всех этапах разработки и производства наши партнеры могут получить квалифицированную поддержку опытных инженеров.

Система менеджмента качества компании отвечает требованиям в соответствии с ГОСТ Р ИСО 9001, ГОСТ РВ 0015-002 и ЭС РД 009

### Офис по работе с юридическими лицами:

105318, г.Москва, ул.Щербаковская д.3, офис 1107, 1118, ДЦ «Щербаковский»

Телефон: +7 495 668-12-70 (многоканальный)

Факс: +7 495 668-12-70 (доб.304)

E-mail: [info@moschip.ru](mailto:info@moschip.ru)

Skype отдела продаж:

moschip.ru

moschip.ru\_4

moschip.ru\_6

moschip.ru\_9