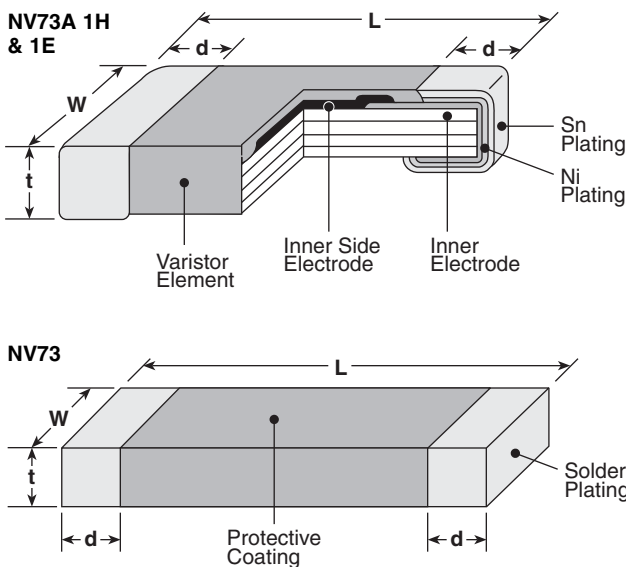




features

- Multilayer structure
- High surge current
- Protector against static electricity, switching and incoming surges
- Marking: Black body color with no marking
- Suitable for both flow and reflow soldering
- Products with lead-free terminations meet EU RoHS requirements. Pb located in glass material, electrode and varistor element is exempt per Annex 1, exemption 5 of EU directive 2005/95/EC

dimensions and construction



| Type (Inch Size Code) | Dimensions inches (mm) | | | |
|--------------------------|-------------------------|-------------------------|--------------------------|---|
| | L | W | t | d |
| 1H (0201) | .024±.001 (0.6±0.03) | .012±.001 (0.3±0.03) | .012±.001 (0.3±0.03) | .004 min. (0.1 min.) |
| 1E (0402) | .023±.004 (1.0±0.1) | .02±.004 (0.5±0.1) | .023 max. (0.6 max.) | .01±.006 (0.25±0.15) |
| 1J (0603) | .063±.006 (1.6±0.15) | .031±.006 (0.8±0.15) | .031±.006 (0.8±0.15) | .016 ^{+0.006} _{-0.008} (0.4 ^{+0.15} _{-0.2}) |
| 2A (0805) | .079±.008 (2.0±0.2) | .049±.008 (1.25±0.2) | .051 max. (1.3 max.) | .02±.010 (0.5±0.25) |
| 2B (1206) | .126±.008 (3.2±0.2) | .063±.008 (1.6±0.2) | .065 max. (1.65 max.) | .02 ^{+0.014} _{-0.010} (0.5 ^{+0.35} _{-0.25}) |
| 2E (1210) | .126±.008 (3.2±0.2) | .098±.008 (2.5±0.2) | .059 max. (1.5 max.) | .020±.008 (0.5±0.2) |
| 2J (1812) | .177±.008 (4.5±0.2) | .126±.008 (3.2±0.2) | .079 max. (2.0 max.) | .020 ^{+0.001} _{-0.004} (0.5 ^{+0.3} _{-0.1}) |
| 2L (2220) | .224±.008 (5.7±0.2) | .197±.008 (5.0±0.2) | .098 max. (2.5 max.) | .020 ^{+0.001} _{-0.004} (0.5 ^{+0.3} _{-0.1}) |

ordering information

| NV73 | A | L | 1J | T | TE | 8R2 |
|------|-------------|------------------------------|--|----------------------|---|---|
| Type | Energy Code | Capacitance Type | Size | Termination Material | Packaging | Varistor Voltage |
| | A B C | L: Low Capacitance (1E only) | 1H: 0201 1E: 0402 1J: 0603 2A: 0805 2B: 1206 2E: 1210 2J: 1812 2L: 2220 | T: Sn | TBM: 2mm press paper (1H: 15,000 pieces/reel) TP: 2mm pitch paper (1E: 10,000 pieces/reel) TE: 7" embossed plastic (1J, 2A, 2B: 2,500 pieces/reel; 2J, 2L: 1,000 pieces/reel 2E: 2,000 pieces/reel) | 8.2V 8R2 18V 18 "R" indicates decimal on value <10Ω |

For further information on packaging, please refer to Appendix A.

vertical circuit protection

applications and ratings

| Part Designation | Reference Varistor Voltage @ 1mA nom. (Range) V _c | Clamping Voltage V _P | I _P | Maximum Peak Current I _P (A) @ 8/20 microsecond (2 pulses) | Maximum Energy E (J) | Maximum Allowable Voltage a.c rms (V) | Maximum Allowable Voltage d.c (V) | Operating Temp. T _{opt} (°C) | Storage Temp. T _{stg} (°C) | |
|------------------|--|---------------------------------|----------------|---|----------------------|---------------------------------------|-----------------------------------|---------------------------------------|-------------------------------------|------|
| NV73A1HTTB12 | 12 (10 - 15.6) | 35 | — | 1 | 0.01 | — | 6.5 | -40°C to +85°C | -40°C to +125°C | |
| NV73A1ETTP8 | 8 (6.4 - 9.6) | 20 | | 20 | 0.05 | 4.2 | 5.5 | | | |
| NV73A1ETTP18 | 18 (16.2 - 19.8) | 35 | | 5 | 0.03 | 6.1 | 14.0 | | | |
| NV73AL1ETTP12 | 12 (10 - 14) | 30 | | 2 | 0.005 | 7.6 | 5.5 | | | |
| NV73AL1ETTP21 | 21 (18 - 24) | 50 | | 9.1 | | 14.0 | | | | |
| NV73AL1ETTP28 | 28 (24 - 32) | 65 | | 0.5 | 10.6 | 18.0 | 12.0 | | | |
| NV73AL1ETTP120 | 120 (90 - 150) | 350(1C-05A) | | 12.0 | 18.0 | | | | | |
| NV73A1JTTE8R2 | 8.2 (6.8 - 9.8) | 21 | 2A | 30 | 0.1 | 4.2 | 6.0 | | | |
| NV73A1JTTE12 | 12 (10 - 14.4) | 29 | | | | 6.1 | 8.6 | | | |
| NV73A1JTTE15 | 15 (12.5 - 18) | 35 | | | | 7.6 | 10.8 | | | |
| NV73A1JTTE18 | 18 (16 - 20) | 37 | | | | 9.1 | 12.8 | | | |
| NV73A1JTTE20 | 20 (18 - 22) | 40 | | | | 10.6 | 15.0 | | | |
| NV73A1JTTE22 | 22 (19 - 24) | 42 | | | | 12.0 | 16.5 | | | |
| NV73A1JTTE24 | 24 (21.8 - 26.5) | 46 | | | | 14.0 | 18.0 | | | |
| NV73A1JTTE27 | 27 (25 - 32) | 49 | 17.0 | 22.0 | | | | | | |
| NV73A2ATTE8R2 | 8.2 (6.8 - 9.8) | 16 | 1A | 10 | 0.01 | 4.2 | 6.0 | | | |
| NV73A2ATTE12 | 12 (10 - 14.4) | 22 | | | 0.03 | 6.1 | 8.6 | | | |
| NV73A2ATTE15 | 15 (12.5 - 18) | 27 | | | 0.04 | 7.6 | 10.8 | | | |
| NV73A2ATTE18 | 18 (16 - 20) | 29 | | | | 9.1 | 12.8 | | | |
| NV73A2ATTE20 | 20 (18 - 22) | 33 | | | 0.05 | 10.6 | 15.0 | | | |
| NV73A2ATTE22 | 22 (19 - 24) | 39 | | | | 12.0 | 16.5 | | | |
| NV73A2ATTE24 | 24 (21.8 - 26.5) | 42 | | 0.06 | 14.0 | 18.0 | | | | |
| NV73A2ATTE27 | 27 (25 - 32) | 50 | | 0.07 | 17.0 | 22.0 | | | | |
| NV73A2ATTE33 | 33 (30 - 39) | 60 | | 0.12 | 20.0 | 26.0 | | | | |
| NV73A2ATTE39 | 39 (37 - 47) | 72 | | | 25 | 0.14 | 25.0 | | | 31.0 |
| NV73A2ATTE47 | 47 (45 - 54) | 86 | | 0.16 | 30.0 | 38.0 | | | | |
| NV73B2ATTE8R2 | 8.2 (6.8 - 9.8) | 18 | | 2A | 20 | 0.03 | 4.2 | | | 6.0 |
| NV73B2ATTE12 | 12 (10 - 14.4) | 22 | | | | 0.05 | 6.1 | | | 8.6 |
| NV73B2ATTE15 | 15 (12.5 - 18) | 30 | 35 | | 0.07 | 7.6 | 10.8 | | | |
| NV73B2ATTE18 | 18 (16 - 20) | 32 | | | 0.08 | 9.1 | 12.8 | | | |
| NV73B2ATTE20 | 20 (18 - 22) | 36 | | | 0.09 | 10.6 | 15.0 | | | |
| NV73B2ATTE22 | 22 (19 - 24) | 40 | | | 0.11 | 12.0 | 16.5 | | | |
| NV73B2ATTE24 | 24 (21.8 - 26.5) | 42 | | | 0.12 | 14.0 | 18.0 | | | |
| NV73B2ATTE27 | 27 (25 - 32) | 58 | | | 0.24 | 17.0 | 22.0 | | | |
| NV73B2ATTE33 | 33 (30 - 39) | 66 | 50 | | 0.25 | 20.0 | 26.0 | | | |
| NV73C2ATTE8R2 | 8.2 (6.8 - 9.8) | 16 | | | 25 | 0.04 | 4.2 | 6.0 | | |
| NV73C2ATTE12 | 12 (10 - 14.4) | 22 | 2A | 50 | 0.09 | 6.1 | 8.6 | | | |
| NV73C2ATTE15 | 15 (12.5 - 18) | 28 | | | 0.11 | 7.6 | 10.8 | | | |
| NV73C2ATTE18 | 18 (16 - 20) | 32 | | | 0.13 | 9.1 | 12.8 | | | |
| NV73C2ATTE20 | 20 (18 - 22) | 35 | | | 0.14 | 10.6 | 15.0 | | | |
| NV73C2ATTE22 | 22 (19 - 24) | 40 | | | 0.17 | 12.0 | 16.5 | | | |
| NV73C2ATTE24 | 24 (21.8 - 26.5) | 42 | | | 0.18 | 14.0 | 18.0 | | | |
| NV73A2BTTE27 | 27 (25 - 32) | 55 | | | 2A | 40 | 0.13 | 17.0 | 22.0 | |
| NV73A2BTTE33 | 33 (30 - 39) | 60 | 0.15 | 20.0 | | | 26.0 | | | |
| NV73A2BTTE39 | 39 (37 - 47) | 72 | 0.18 | 25.0 | | | 31.0 | | | |
| NV73A2BTTE47 | 47 (45 - 54) | 85 | 0.22 | 30.0 | | | 38.0 | | | |
| NV73A2BTTE56 | 56 (52 - 62) | 100 | 0.26 | 35.0 | | | 45.0 | | | |

Specifications given herein may be changed at any time without prior notice. Please confirm technical specifications before you order and/or use.

1/06/09

applications and ratings (continued)

| Part Designation | Reference Varistor Voltage @ 1mA nom. (Range) Vc | Clamping Voltage Vp | IP | Maximum Peak Current Ip (A) @ 8/20 microsecond (2 pulses) | Maximum Energy E (J) | Maximum Allowable Voltage a.c rms (V) | Maximum Allowable Voltage d.c (V) | Operating Temp. Topt (°C) | Storage Temp. Tstg (°C) | | | | |
|------------------|--|---------------------|-----|---|----------------------|---------------------------------------|-----------------------------------|---------------------------|-------------------------|-----------------|-----------------|-----------------|-----------------|
| NV73B2BTTE8R2 | 8.2 (6.8 - 9.8) | 16 | 2A | 30 | 0.03 | 4.2 | 6.0 | -40°C to +85°C | -40°C to +125°C | | | | |
| NV73B2BTTE12 | 12 (10 - 14.4) | 22 | | | 0.07 | 6.1 | 8.6 | | | | | | |
| NV73B2BTTE15 | 15 (12.5 - 18) | 28 | | | 0.09 | 7.6 | 10.8 | | | | | | |
| NV73B2BTTE18 | 18 (16 - 20) | 32 | | | 0.1 | 9.1 | 12.8 | | | | | | |
| NV73B2BTTE20 | 20 (18 - 22) | 35 | | | 0.11 | 10.6 | 15.0 | | | | | | |
| NV73B2BTTE22 | 22 (19 - 24) | 40 | | | 0.12 | 12.0 | 16.5 | | | | | | |
| NV73B2BTTE24 | 24 (21.8 - 26.5) | 42 | | | 0.14 | 14.0 | 18.0 | | | | | | |
| NV73B2BTTE27 | 27 (25 - 32) | 52 | | | 0.16 | 17.0 | 22.0 | | | | | | |
| NV73C2BTTE8R2 | 8.2 (6.8 - 9.8) | 15 | 2A | 40 | 0.06 | 4.2 | 6.0 | -40°C to +85°C | -40°C to +125°C | | | | |
| NV73C2BTTE12 | 12 (10 - 14.4) | 21 | | | 0.1 | 6.1 | 8.6 | | | | | | |
| NV73C2BTTE15 | 15 (12.5 - 18) | 27 | | | 0.13 | 7.6 | 10.8 | | | | | | |
| NV73C2BTTE18 | 18 (16 - 20) | 29 | | | 0.15 | 9.1 | 12.8 | | | | | | |
| NV73C2BTTE20 | 20 (18 - 22) | 31 | | | 0.17 | 10.6 | 15.0 | | | | | | |
| NV73C2BTTE22 | 22 (19 - 24) | 35 | | | 0.19 | 12.0 | 16.5 | | | | | | |
| NV73C2BTTE24 | 24 (21.8 - 26.5) | 38 | | | 0.2 | 14.0 | 18.0 | | | | | | |
| NV73C2BTTE27 | 27 (25 - 32) | 48 | | | 0.24 | 17.0 | 22.0 | | | | | | |
| NV73A2ETTE15 | 15 (12.8 - 17.3) | 30 | — | 400 | 1.0 | 8.0 | 11.0 | -50°C to +125°C | -50°C to +150°C | | | | |
| NV73A2ETTE18 | 18 (15.3 - 20.7) | 34 | | | 1.2 | 11.0 | 14.0 | | | | | | |
| NV73A2ETTE22 | 22 (19.8 - 24.2) | 39 | | | 1.4 | 12.0 | 16.5 | | | | | | |
| NV73A2ETTE24 | 24 (21.6 - 26.4) | 39 | | | 1.4 | 14.0 | 18.0 | | | | | | |
| NV73A2ETTE27 | 27 (24.3 - 29.7) | 44 | | | 1.7 | 17.0 | 22.0 | | | | | | |
| NV73A2ETTE33 | 33 (29.7 - 36.3) | 54 | | | 1.9 | 20.0 | 26.0 | | | | | | |
| NV73A2ETTE39 | 39 (35.1 - 42.9) | 65 | | | 1.7 | 25.0 | 30.0 | | | | | | |
| NV73A2ETTE47 | 47 (42.3 - 51.7) | 77 | | | 2.0 | 30.0 | 38.0 | | | | | | |
| NV73A2ETTE56 | 56 (50.4 - 61.6) | 90 | | | 2.0 | 35.0 | 45.0 | | | | | | |
| NV73A2ETTE82 | 82 (73.8 - 90.2) | 135 | | | 2.0 | 50.0 | 65.0 | | | | | | |
| NV73A2ETTE100 | 100 (90.0 - 110.0) | 165 | | | 200 | 1.2 | 50.0 | | | 65.0 | | | |
| NV73A2ETTE110 | 110 (99.0 - 121.0) | 180 | | | | 1.4 | 60.0 | | | 85.0 | | | |
| NV73A2JTTE12 | 12 (10.2 - 13.8) | 27 | | | 500 | 500 | 0.9 | | | 6.0 | 9.0 | -50°C to +125°C | -50°C to +150°C |
| NV73A2JTTE15 | 15 (12.8 - 17.3) | 32 | | | | | 1.2 | | | 8.0 | 11.0 | | |
| NV73A2JTTE18 | 18 (16.2 - 19.8) | 35 | | | | | 1.4 | | | 11.0 | 14.0 | | |
| NV73A2JTTE22 | 22 (19.8 - 24.2) | 41 | | | | | 1.6 | | | 12.0 | 16.5 | | |
| NV73A2JTTE24 | 24 (21.6 - 26.4) | 44 | 1.7 | 14.0 | | | 18.0 | | | | | | |
| NV73A2JTTE27 | 27 (24.3 - 29.7) | 49 | 2.0 | 17.0 | | | 22.0 | | | | | | |
| NV73A2JTTE33 | 33 (29.7 - 36.3) | 54 | 2.5 | 20.0 | | | 26.0 | | | | | | |
| NV73A2JTTE39 | 39 (35.1 - 42.9) | 65 | 2.9 | 25.0 | | | 30.0 | | | | | | |
| NV73A2JTTE47 | 47 (42.3 - 51.7) | 77 | 3.5 | 30.0 | | | 38.0 | | | | | | |
| NV73A2JTTE56 | 56 (50.4 - 61.6) | 90 | 4.2 | 35.0 | | | 45.0 | | | | | | |
| NV73A2JTTE68 | 68 (61.2 - 74.8) | 110 | 4.8 | 40.0 | | | 56.0 | | | | | | |
| NV73A2JTTE82 | 82 (73.8 - 90.2) | 135 | 4.5 | 50.0 | | | 65.0 | | | | | | |
| NV73A2JTTE100 | 100 (90 - 110) | 165 | 400 | 5.8 | | | 60.0 | 85.0 | | | | | |
| NV73A2JTTE110 | 110 (99 - 121) | 180 | | 5.8 | | | 70.0 | 90.0 | | | | | |
| NV73A2JTTE150 | 150 (135 - 165) | 248 | | 5.8 | | | 95.0 | 127.0 | | | | | |
| NV73B2JTTE15 | 15 (12.8 - 17.3) | 32 | 800 | 800 | | | 1.8 | 8.0 | 11.0 | -50°C to +125°C | -50°C to +150°C | | |
| NV73B2JTTE18 | 18 (15.3 - 20.7) | 35 | | | 1.9 | 11.0 | 14.0 | | | | | | |
| NV73B2JTTE22 | 22 (19.8 - 24.2) | 41 | | | 2.3 | 12.0 | 16.5 | | | | | | |
| NV73B2JTTE24 | 24 (21.6 - 26.4) | 44 | | | 2.3 | 14.0 | 18.0 | | | | | | |
| NV73B2JTTE27 | 27 (24.3 - 29.7) | 49 | | | 2.7 | 17.0 | 22.0 | | | | | | |
| NV73B2JTTE33 | 33 (29.7 - 36.3) | 54 | | | 3.0 | 20.0 | 26.0 | | | | | | |

circuit protection

applications and ratings (continued)

| Part Designation | Reference Varistor Voltage @ 1mA nom. (Range) V _c | Clamping Voltage V _P | I _P | Maximum Peak Current I _P (A) @ 8/20 microsecond (2 pulses) | Maximum Energy E (J) | Maximum Allowable Voltage a.c rms (V) | Maximum Allowable Voltage d.c (V) | Operating Temp. T _{opt} (°C) | Storage Temp. T _{stg} (°C) | |
|------------------|--|---------------------------------|----------------|---|----------------------|---------------------------------------|-----------------------------------|---------------------------------------|-------------------------------------|------|
| NV73B2JTTE39 | 39 (35.1 - 42.9) | 65 | - | 800 | 3.7 | 25.0 | 30.0 | -50°C to +125°C | -50°C to +150°C | |
| NV73B2JTTE47 | 47 (42.3 - 51.7) | 77 | | | 4.2 | 30.0 | 38.0 | | | |
| NV73B2JTTE56 | 56 (50.4 - 61.6) | 90 | | | 4.2 | 35.0 | 45.0 | | | |
| NV73A2LTTE12 | 12 (10.2 - 13.8) | 28 | | 1000 | 1.9 | 6.0 | 9.0 | | | |
| NV73A2LTTE15 | 15 (12.8 - 17.3) | 33 | | | 2.3 | 8.0 | 11.0 | | | |
| NV73A2LTTE18 | 18 (16.2 - 19.8) | 36 | | | 2.7 | 11.0 | 14.0 | | | |
| NV73A2LTTE22 | 22 (19.8 - 24.2) | 41 | | | 2.9 | 12.0 | 16.5 | | | |
| NV73A2LTTE24 | 24 (21.6 - 26.4) | 45 | | | 3.1 | 14.0 | 18.0 | | | |
| NV73A2LTTE27 | 27 (24.3 - 29.7) | 48 | | | 3.8 | 17.0 | 22.0 | | | |
| NV73A2LTTE33 | 33 (29.7 - 36.3) | 57 | | | 4.3 | 20.0 | 26.0 | | | |
| NV73A2LTTE39 | 39 (35.1 - 42.9) | 65 | | | 5.5 | 25.0 | 30.0 | | | |
| NV73A2LTTE47 | 47 (42.3 - 51.7) | 77 | | | 6.3 | 30.0 | 38.0 | | | |
| NV73A2LTTE56 | 56 (50.4 - 61.6) | 90 | | | 7.7 | 35.0 | 45.0 | | | |
| NV73A2LTTE68 | 68 (61.2 - 74.8) | 110 | | | 8.8 | 40.0 | 56.0 | | | |
| NV73A2LTTE100 | 100 (90 - 110) | 165 | | | 6.8 | 60.0 | 85.0 | | | |
| NV73A2LTTE110 | 110 (99 - 121) | 180 | | | 6.8 | 70.0 | 90.0 | | | |
| NV73B2LTTE15 | 15 (12.8 - 17.3) | 33 | | | 1200 | 4.2 | 8.0 | | | 11.0 |
| NV73B2LTTE18 | 18 (15.3 - 20.7) | 36 | | | | 5.4 | 11.0 | | | 14.0 |
| NV73B2LTTE22 | 22 (19.8 - 24.2) | 41 | | 5.8 | | 12.0 | 16.5 | | | |
| NV73B2LTTE24 | 24 (21.6 - 26.4) | 45 | | 5.8 | | 14.0 | 18.0 | | | |
| NV73B2LTTE27 | 27 (24.3 - 29.7) | 48 | | 7.2 | | 17.0 | 22.0 | | | |
| NV73B2LTTE33 | 33 (29.7 - 36.3) | 57 | | 7.8 | | 20.0 | 26.0 | | | |
| NV73B2LTTE39 | 39 (35.1 - 42.9) | 65 | | 9.6 | | 25.0 | 30.0 | | | |
| NV73B2LTTE47 | 47 (42.3 - 51.7) | 77 | | 12.0 | | 30.0 | 38.0 | | | |
| NV73B2LTTE56 | 56 (50.4 - 61.6) | 90 | | 7.7 | | 35.0 | 45.0 | | | |
| NV73B2LTTE82 | 82 (73.8 - 90.2) | 135 | | 1000 | | 5.6 | 50.0 | | | 65.0 |

Maximum allowable voltage - the maximum sinusoidal RMS voltage or maximum DC voltage which can be applied continuously
 E: Maximum energy - the maximum energy within the varistor voltage change of ±10% when a single impulse of 2m sec. is applied
 I_P: Maximum peak current - the maximum peak current within the varistor voltage change of ±10% when a single standard impulse of 8/20μ sec. is applied two times with an interval of 5 min.
 T_{opt}: Operating temperature - Ambient temperature range when the device is operating
 T_{stg}: Storage temperature - Temperature range without causing the device any failure

environmental applications Performance Characteristics

| Parameter | Requirement Δ V±% | Test Method |
|--|----------------------------|---|
| Varistor Voltage | Within specified tolerance | Voltage between terminals when 1mA is flowed |
| Solderability | 95% coverage minimum | 230°C ± 5°C, 4 seconds ± 1 second; 235°C ± 5°C, 4 seconds ± 1 second*** |
| Resistance to Solder Heat | ±10% | 260°C ± 5°C, 10 seconds ± 0.5 second*; 270°C ± 5°C, 3 seconds ± 0.5 second**; 260°C ± 5°C, 4 seconds ± 1 second*** |
| Rapid Change of Temperature | ±10% | -40°C (30 minutes), +125°C (30 minutes), 30 cycles; 5 cycles*** |
| Maximum Peak Current | ±10% | A single standard impulse of 8/20μ seconds, positive/negative applied once each; A single standard impulse of 8/20μ seconds, 100 pulse, 30 second interval*** |
| Maximum Energy | ±10% | A single standard impulse of 10/1000μs, once*; A single standard impulse of 2ms, once**; A single standard impulse of 10/1000μs, 100pulse, 90 second interval*** |
| High Temperature Life with d.c. Bias | ±10% | 85°C ± 5°C, 1000h, Load: Maximum allowable circuit voltage (d.c.); 125°C ± 5°C, 1000h, Load: Maximum allowable circuit voltage (d.c.)*** |
| Low Temperature Life with d.c. Bias*** | ±10% | -50°C ± 5°C, 1000h, Load: Maximum allowable circuit voltage (d.c.) |
| High Temperature Life with a.c. Bias** | ±10% | 85°C ± 5°C, 1000h, Load: Maximum allowable circuit voltage (V _{a.c.r.m.s.}) |
| High Temperature & High Humidity Life with d.c. Bias | ±10% | 40°C ± 5°C, 95% RH, 500h, Load: Maximum allowable voltage (d.c.) |
| Capacitance* | Typical | 1kHz: Others, 1MHz: Varistor voltage 120V |
| High Temperature Storage Life | ±10% | 125°C ± 5°C, 1000h; 150°C ± 5°C, 1000h*** |
| Low Temperature Storage Life | ±10% | -40°C ± 5°C, 1000h; -50°C ± 5°C, 1000h*** |

* 1H, 1E ** 1J, 2A, 2B *** 2E, 2J, 2L

For Voltage Current Curves Graphs see Environmental Applications. Additional environmental applications can also be found at www.koaspeer.com
 Specifications given herein may be changed at any time without prior notice. Please confirm technical specifications before you order and/or use. 1/05/11

circuit protection

Данный компонент на территории Российской Федерации

Вы можете приобрести в компании MosChip.

Для оперативного оформления запроса Вам необходимо перейти по данной ссылке:

<http://moschip.ru/get-element>

Вы можете разместить у нас заказ для любого Вашего проекта, будь то серийное производство или разработка единичного прибора.

В нашем ассортименте представлены ведущие мировые производители активных и пассивных электронных компонентов.

Нашей специализацией является поставка электронной компонентной базы двойного назначения, продукции таких производителей как XILINX, Intel (ex.ALTERA), Vicor, Microchip, Texas Instruments, Analog Devices, Mini-Circuits, Amphenol, Glenair.

Сотрудничество с глобальными дистрибьюторами электронных компонентов, предоставляет возможность заказывать и получать с международных складов практически любой перечень компонентов в оптимальные для Вас сроки.

На всех этапах разработки и производства наши партнеры могут получить квалифицированную поддержку опытных инженеров.

Система менеджмента качества компании отвечает требованиям в соответствии с ГОСТ Р ИСО 9001, ГОСТ РВ 0015-002 и ЭС РД 009

Офис по работе с юридическими лицами:

105318, г.Москва, ул.Щербаковская д.3, офис 1107, 1118, ДЦ «Щербаковский»

Телефон: +7 495 668-12-70 (многоканальный)

Факс: +7 495 668-12-70 (доб.304)

E-mail: info@moschip.ru

Skype отдела продаж:

moschip.ru

moschip.ru_4

moschip.ru_6

moschip.ru_9