

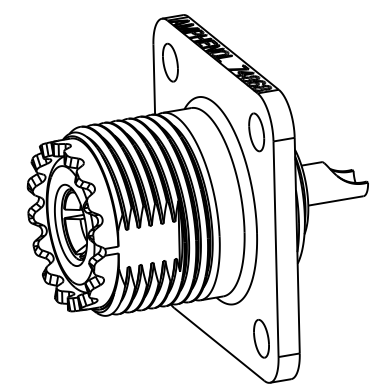
NOTES:

1. PLATING PER AMPHENOL SPEC. 349-50560.
2. THIS ITEM SHALL BE ASSEMBLED IN SUCH A MANNER AS TO MEET REQUIREMENTS 1,2 & 3 OF DWG. 123-183.
3. RING STAKE CONTACT WITHOUT FRACTURING AS SHOWN. DO NOT CHIP OR CRACK ITEM 1. DO NOT BREAK THRU PLATING.
4. AFTER ASSY. CONTACT MUST MEET THE FOLLOWING REQUIREMENTS
 AFTER FIVE INSERTIONS OF A $\varnothing 0.1585 \pm .0001$ STEEL PIN FOR A .125 MIN. DEPTH. CONTACT MUST WITHDRAW FROM A $\varnothing 0.1560 \pm .0001$ STEEL PIN WITH A FORCE OF 9 OZS. MIN. & 3 1/4 LBS MAX.
5. PACKAGING:
 A. PACKAGE CONNECTOR AS PER ROUTING INSTRUCTIONS.
 B. MARK BAG OR TAG "AMPHENOL RF, 83-IR-4050 YYWW"
 C. NO ITEMS ARE PACKAGED LOOSE.

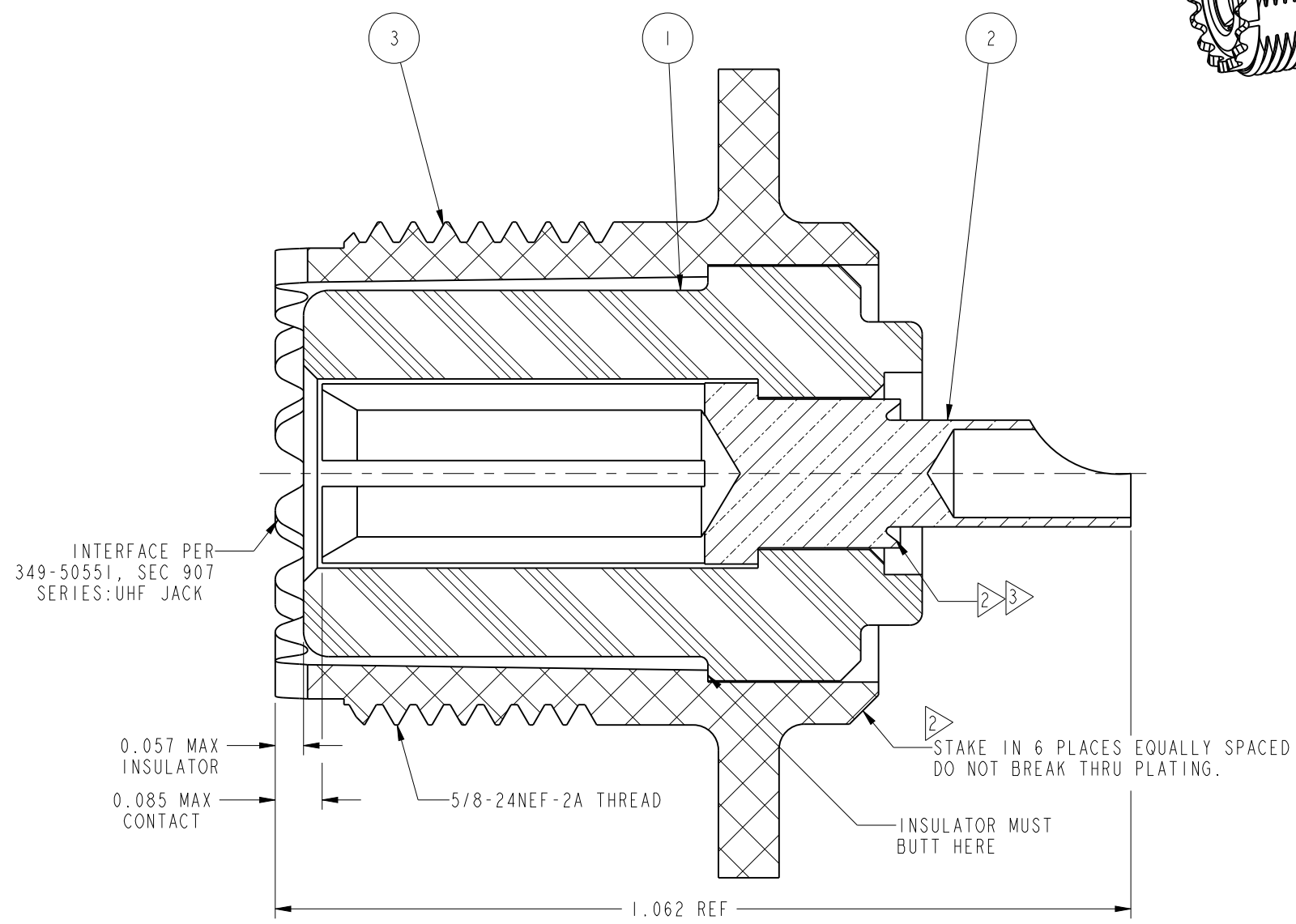
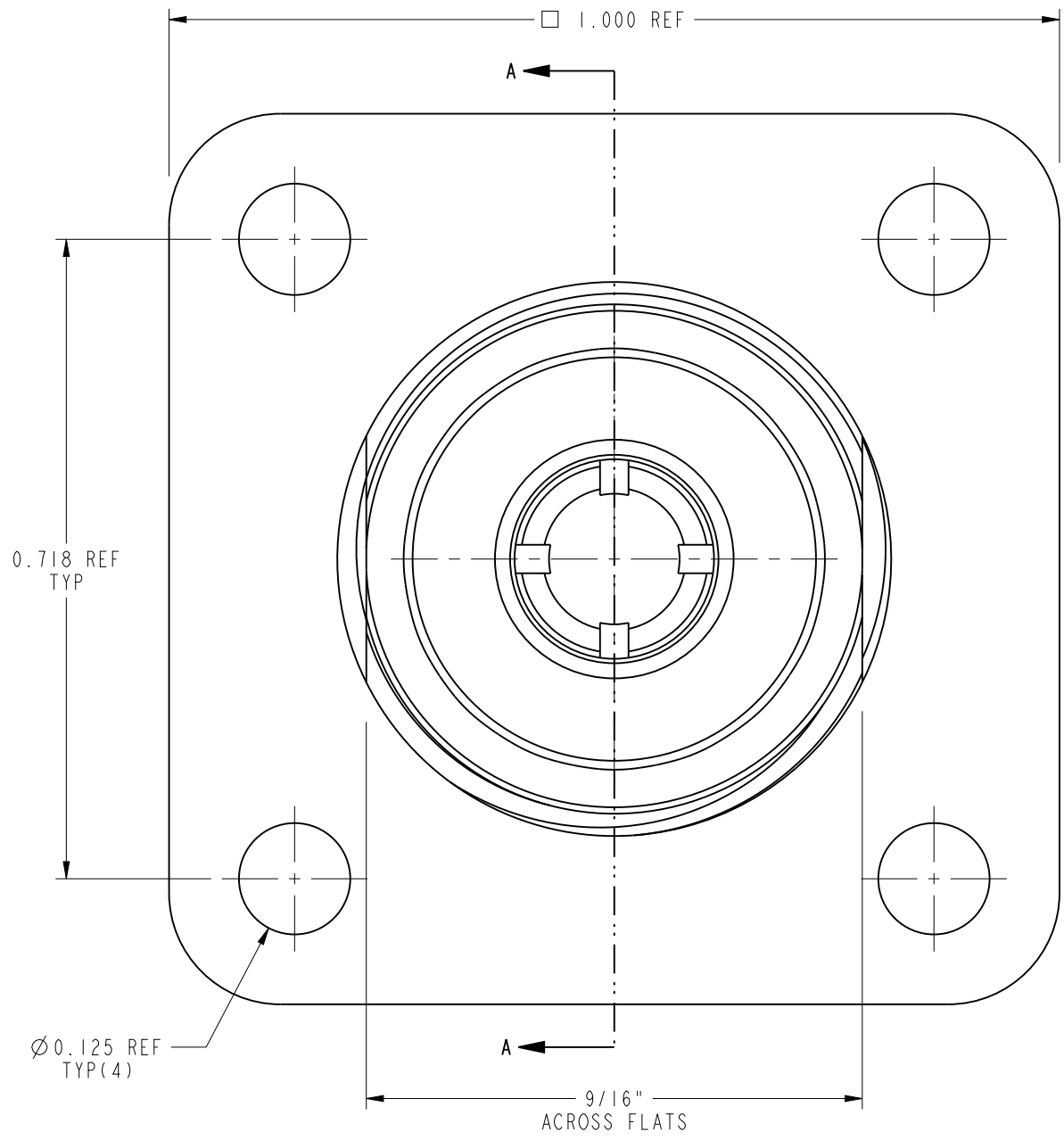
THIRD ANGLE PROJ.

REVISIONS

REV	DESCRIPTION	DATE	ECO	APPR
A	RELEASE TO MFG.	29-Jul-81	28067	ABR
E	REDRAWN IN PRO-E & COD SHEET ADDED	--	50467	AAP



SCALE 1.600



PRELIMINARY ISSUE

UNLESS OTHERWISE SPECIFIED, DIMENSIONS ARE IN INCHES AND TOLERANCES ARE:
 2 PLACE DECIMAL 3 PLACE DECIMAL ANGLES
 $\pm .015$ (0,381 mm) $\pm .005$ (0,127 mm) $\pm 1^\circ$

NOTICE - These drawings, specifications, or other data (1) are, and remain the property of Amphenol corp. (2) must be returned upon request; and (3) are confidential and not to be disclosed to any person other than those to whom they are given by Amphenol Corp. the furnishing of these drawings, specifications, or other data by Amphenol Corp., or to any other person to anyone for any purpose is not to be regarded by implication or otherwise in any manner licensing, granting rights to permitting such holder or any other person to manufacture, use or sell any product, process or design, patented or otherwise, that may in any way be related to or disclosed by said drawings, specifications, or other data.

PART NUMBER	PLTG	QTY.	ITEM	DESCRIPTION	FINISH	MATERIAL
83-363-1	NE	1	3	BODY	NOTE 1	ZINC ALLOY
83-538	SA	1	2	CONTACT	NOTE 1	BRASS
83-539		1	1	INSULATOR	YELLOW	PBT

MATERIAL SEE BOM TABLE	DRAWN A ARUN PRABU	DATE 02-Apr-15	TITLE UHF STR JACK RECEPTACLE SPECIAL NICKEL PLATED		Amphenol RF www.amphenolrf.com
REFERENCE RADIO SHACK EAR 112-1540-947880-51	ENGINEER D.ROYCE	DATE 02-Oct-96	DRAWING NO.83-IR-4050		
CONFIGURATION LEVEL: In Work	APPROVED	DATE	SCALE: 5.2:1.0	SHEET 1 OF 2	ITEM NO.83-IR-4050
FINISH	CAD FILE		DWG SIZE B	REV E	PART NO.83-IR-4050

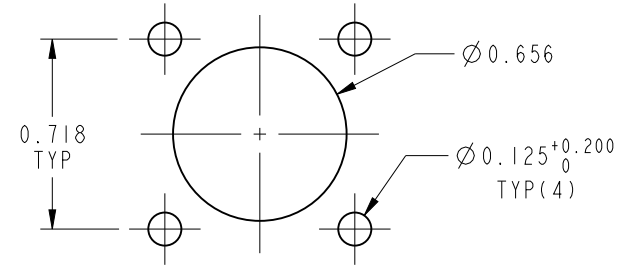
NOTES:

1. MATERIALS AND FINISHES:
 BODY - ZINC DIE CAST, NICKEL PLATING
 CONTACT - BRASS, SILVER PLATING
 INSULATOR - PBT, YELLOW
2. ELECTRICAL:
 A. FREQUENCY RANGE: DC - 0.3 GHz
3. MECHANICAL:
 A. DURABILITY: 500 CYCLES MIN.
 B. TEMPERATURE RANGE: -65° C TO +165° C
4. PACKAGING:
 A. QUANTITY: SINGLE PACK
 B. MARKING: BAG TO BE MARKED
 "AMPHENOL RF, 83-1R-4050, AND DATE CODE"

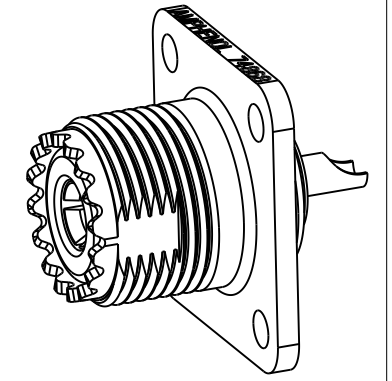
THIRD ANGLE PROJ.

REVISIONS

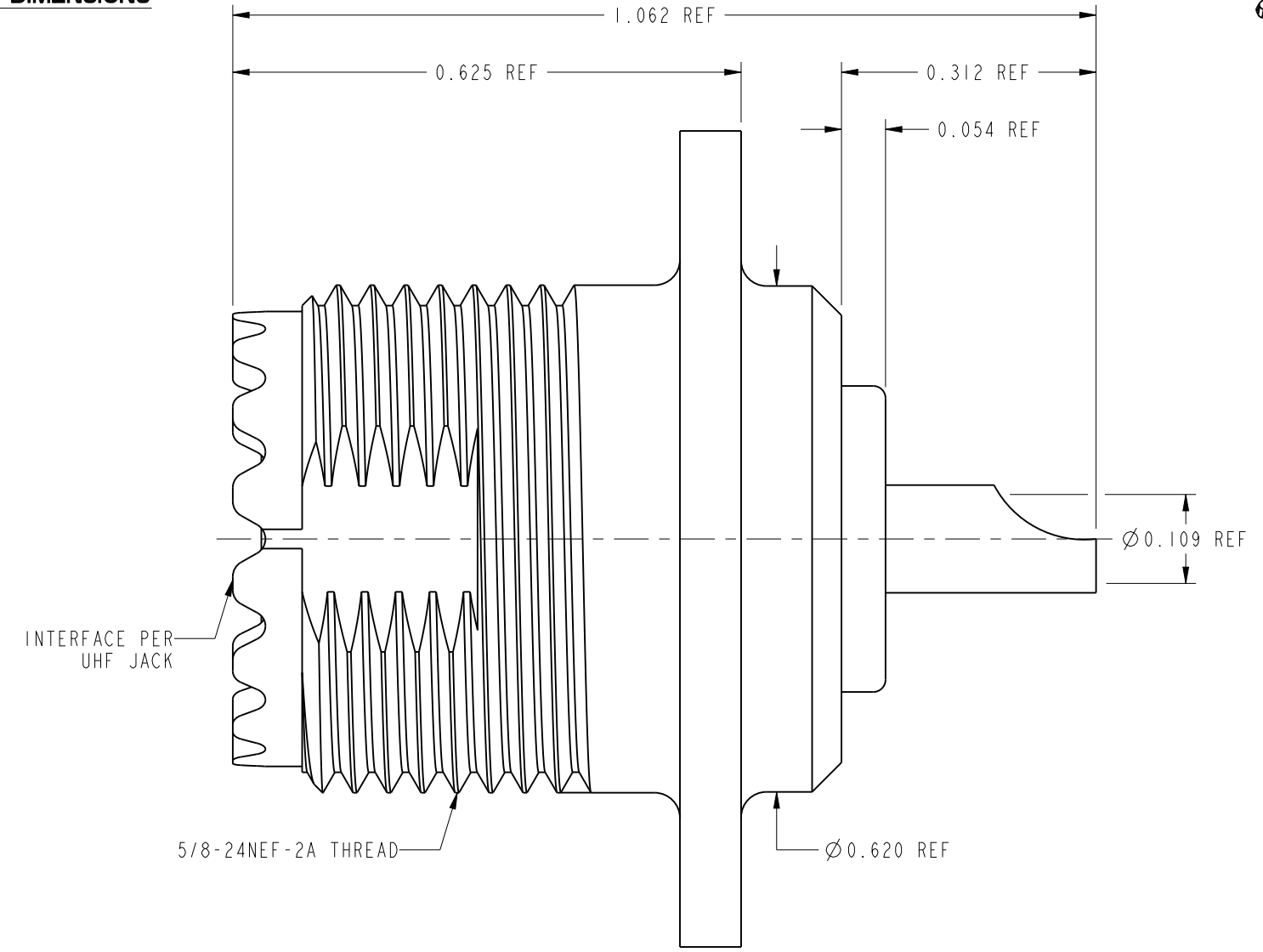
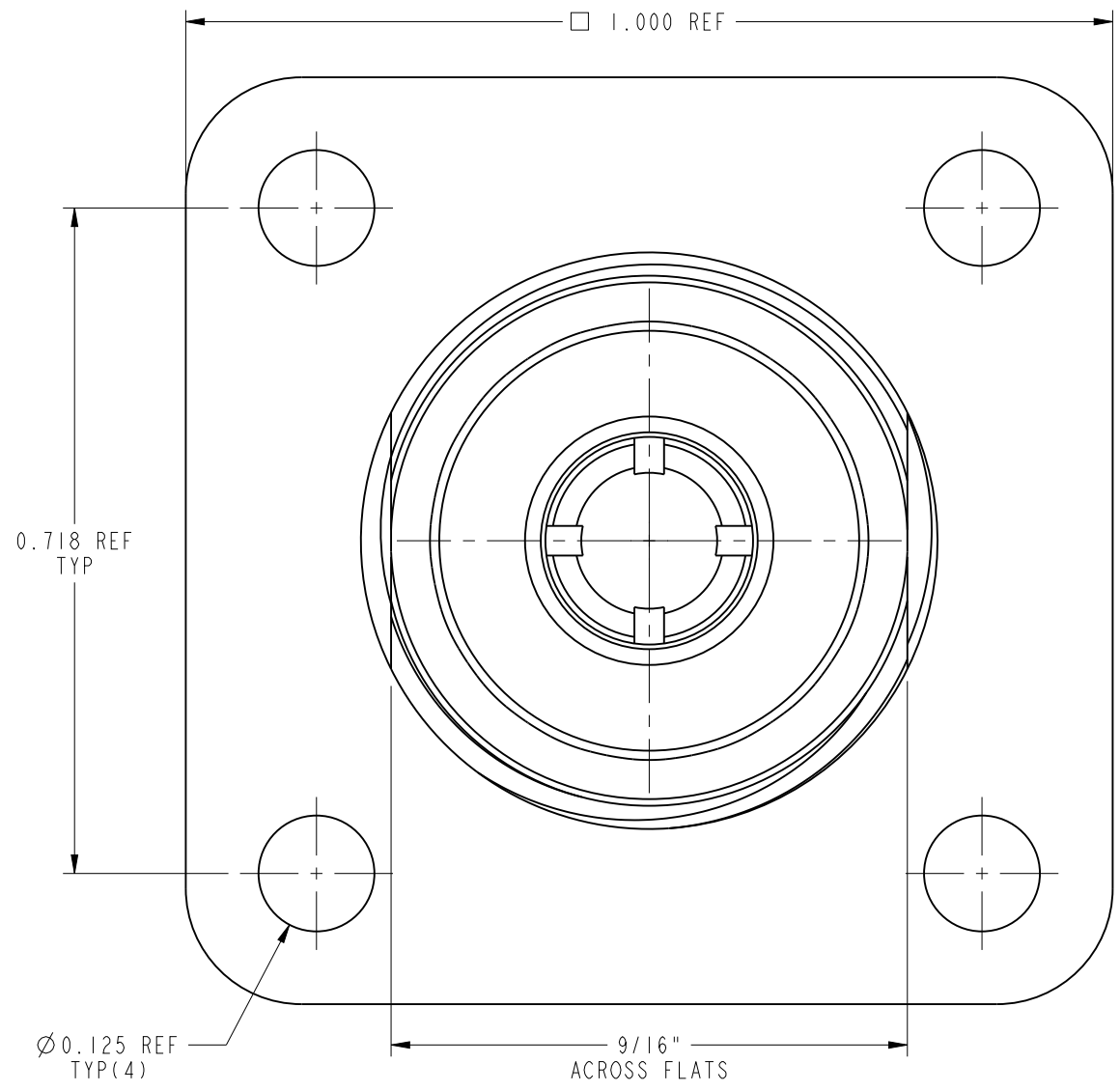
REV	DESCRIPTION	DATE	ECO	APPR
--	RELEASE TO MFG.	--	--	--
E	REDRAWN IN PRO-E & COD SHEET ADDED	--	50467	AAP



RECOMMENDED MOUNTING HOLE DIMENSIONS



SCALE 1.600



PRELIMINARY ISSUE

CUSTOMER OUTLINE DRAWING

ALL OTHER SHEETS ARE FOR INTERNAL USE ONLY

UNLESS OTHERWISE SPECIFIED, DIMENSIONS ARE IN INCHES AND TOLERANCES ARE: 2 PLACE DECIMAL 3 PLACE DECIMAL ANGLES ±.015 (0,381 mm) ±.005 (0,127 mm) ± 1°	MATERIAL	DRAWN	DATE	TITLE UHF STR JACK RECEPTACLE SPECIAL NICKEL PLATED		Amphenol RF www.amphenolrf.com	
	SEE NOTES	A ARUN PRABU	02-Apr-15				
NOTICE - These drawings, specifications, or other data (1) are, and remain the property of Amphenol corp. (2) must be returned upon request; and (3) are confidential and not to be disclosed to any person other than those to whom they are given by Amphenol Corp. the furnishing of these drawings, specifications, or other data by Amphenol Corp., or to any other person to anyone for any purpose is not to be regarded by implication or otherwise in any manner licensing, granting rights to permitting such holder or any other person to manufacture, use or sell any product, process or design, patented or otherwise, that may in any way be related to or disclosed by said drawings, specifications, or other data.	REFERENCE	ENGINEER	DATE	SCALE: 5.0:1.0 SHEET 2 OF 2		DRAWING NO.83-1R-4050 ITEM NO.83-1R-4050	
	RADIO SHACK EAR 112-1540-947880-51	D.ROYCE	02-Oct-96				
	CONFIGURATION LEVEL: In Work	APPROVED	CAD FILE	DATE	DWG SIZE	REV	PART NO.83-1R-4050
FINISH		B	E				

Данный компонент на территории Российской Федерации

Вы можете приобрести в компании MosChip.

Для оперативного оформления запроса Вам необходимо перейти по данной ссылке:

<http://moschip.ru/get-element>

Вы можете разместить у нас заказ для любого Вашего проекта, будь то серийное производство или разработка единичного прибора.

В нашем ассортименте представлены ведущие мировые производители активных и пассивных электронных компонентов.

Нашей специализацией является поставка электронной компонентной базы двойного назначения, продукции таких производителей как XILINX, Intel (ex.ALTERA), Vicor, Microchip, Texas Instruments, Analog Devices, Mini-Circuits, Amphenol, Glenair.

Сотрудничество с глобальными дистрибьюторами электронных компонентов, предоставляет возможность заказывать и получать с международных складов практически любой перечень компонентов в оптимальные для Вас сроки.

На всех этапах разработки и производства наши партнеры могут получить квалифицированную поддержку опытных инженеров.

Система менеджмента качества компании отвечает требованиям в соответствии с ГОСТ Р ИСО 9001, ГОСТ РВ 0015-002 и ЭС РД 009

Офис по работе с юридическими лицами:

105318, г.Москва, ул.Щербаковская д.3, офис 1107, 1118, ДЦ «Щербаковский»

Телефон: +7 495 668-12-70 (многоканальный)

Факс: +7 495 668-12-70 (доб.304)

E-mail: info@moschip.ru

Skype отдела продаж:

moschip.ru

moschip.ru_4

moschip.ru_6

moschip.ru_9