

# MAX9275/MAX9279 Evaluation Kits

## Evaluate: MAX9275/MAX9279

### General Description

The MAX9275/MAX9279 evaluation kits (EV kit) provide a proven design to evaluate the MAX9275/MAX9279 high-bandwidth gigabit multimedia serial link (GMSL) serializers with spread spectrum and full-duplex control channel, with the use of a standard FAKRA coaxial cable or shielded twisted-pair (STP) cable. The EV kit also includes Windows XP®, Windows Vista®, and Windows® 7-compatible software that provides a simple graphical user interface (GUI) for exercising the features of the device. The EV kit comes with a MAX9275 or MAX9279 IC installed, depending on the kit ordered.

For complete GMSL evaluation using a standard FAKRA coax cable, order the MAX9275/MAX9279 coax EV kit with a companion deserializer board, the MAX9276A/MAX9280A coax EV kit. For evaluating with STP cable, also order the MAXCOAX2STP-HSD adapter kit. Only one adapter kit is needed per link, connecting SerDes boards.

### Features

- Accepts 24-Bit or 32-Bit Parallel Video
- Windows XP-, Windows Vista-, and Windows 7-Compatible Software
- USB-PC Connection (Cable Included)
- USB Powered
- Proven PCB Layout
- Fully Assembled and Tested

**Note:** In the following sections, “serializer” refers to the MAX9275/MAX9279 ICs, and “deserializer” refers to the MAX9276A/MAX9280A ICs. The term SerDes refers to serializer(s) and deserialer(s).

This document covers evaluation with either coaxial (coax) or shielded twisted-pair (STP) cables. Evaluation with coax cables is explained in this data sheet.

*[Ordering Information](#) appears at end of data sheet.*

### MAX9275/MAX9279 EV Kit Files

FILE	DESCRIPTION
MAXSerDesEV-D_Install.EXE	Installs the EV kit files on your computer
MAXSerDesEV-D.EXE	Application program
CDM20600.EXE	Installs the USB device driver
USB_Driver_Help_200.PDF	USB driver installation help file

*Windows, Windows XP, and Windows Vista are registered trademarks and registered service marks of Microsoft Corporation.*



## Quick Start

### Required Equipment

- MAX9275 or MAX9279 coax serializer EV kit (USB cable included)
- MAX9276A or MAX9280A deserializer coax EV kit
- 2m Rosenberger FAKRA cable assembly (included in the MAX9276A/MAX9280A coax EV kit)
- Optional: Function generator (needed only if parallel data lacks a pixel clock)
- User-supplied PC with Windows XP, Windows Vista, or Windows 7 and a spare USB port (direct 500mA connection is required; do not use a bus-powered hub)
- 5V DC, 500mA power supply

**Note:** In the following sections, software-related items are identified by bolding. Text in **bold** refers to items directly from the EV kit software. Text in **bold and underlined** refers to items from the Windows operating system.

### Procedure

The EV kit is fully assembled and tested. Follow the steps below to verify board operation:

- 1) Visit [www.maximintegrated.com/evkitsoftware](http://www.maximintegrated.com/evkitsoftware) to download and install the EV kit software, MAXSerDesEV-D (the USB driver is automatically installed).
- 2) Verify that all serializer jumpers are in their default positions, as shown in [Table 1](#) and [Figure 8](#), and deserializer jumpers are set, as shown in [Figure 12](#).
- 3) Connect the power supply's positive terminal to the +5VIN PCB pad and the negative terminal to the nearest GND PCB pad on the deserializer EV kit board (this assumes the USB port is not used for powering the board).
- 4) Connect the FAKRA cable from the serializer EV kit OUT+ connector to the deserializer coax EV kit IN+ connector.
- 5) Connect the USB cable from the PC to the serializer EV kit board. A Windows message appears when connecting the EV kit board to the PC for the first time. Each version of Windows has a slightly different message. If you see a Windows message stating **ready to use**, then proceed to the next step; otherwise, open the USB\_Driver\_Help\_200.PDF file to verify that the USB driver was successfully installed.
- 6) Verify that LED\_T2 on the deserializer EV kit board lights up, indicating that the microcontroller is powered and enabled.
- 7) Connect the pixel clock or function generator to the H1\_PCLK\_IN header on the serializer board.
- 8) Turn on the power supply and function generator.
- 9) Verify that LED D2 on the deserializer board lights up, indicating that the microcontroller is powered and enabled.
- 10) Verify operation by pulling a DINx line high/low and check corresponding DOUTx to change, tracking the DINx pin.
- 11) Verify that LOCK LED on the deserializer board lights up, indicating that the link has been successfully established. If LOCK LED remains off or ERROR LED is on, double-check *that* the PCLK\_IN signal is clocking data.
- 12) Start the EV kit software by selecting **Start | Programs | Maxim Integrated | MAXSerDesEV-D | MAXSerDesEV-D** from the **Start** menu.
- 13) The EV kit software **Configuration Settings** window is the first window that opens after successful launch. It helps the user to set up the serializer and deserializer boards properly and specify the mode of operation ([Figure 1](#)).
- 14) The GUI automatically searches for slave addresses selectable by the SerDes ADDx pins and identifies the DUTs based on the **Device IDs** read from the DUTs.
- 15) Press the **Identify Devices** button at any time to reidentify devices and display in corresponding table.
- 16) Only **LinkType** and **Device Address** on the **Configuration Settings** window affect the GUI operation. Other items are for user reference only.
- 17) I<sup>2</sup>C-to-I<sup>2</sup>C mode support: To enable I<sup>2</sup>C-to-I<sup>2</sup>C mode, change jumpers JU\_CONF1 and JU\_CONF0 ([Figure 1](#)), and change jumpers JU\_TXSCL from the TX to SCL position and JU\_RXSDA from the RX to SDA position. Press the **Identify Devices** button to verify proper settings. Alternatively, make the changes and select **I2C** from the **Bus** drop-down list before pressing the **Connect** button to start the **GMSL SerDes Evaluation Kit Window** ([Figure 2](#)).
- 18) Press the **Connect** button at the bottom of the screen.
- 19) The **GMSL SerDes Evaluation Kit Window** appears. Green LED indicators indicate that connection to the DUT was successful. If there is a communication problem with the DUTs, the LED indicators turn red.
- 20) Press the **Read all MAX92xx** button in the **Serializer** group box to read all serializer registers.
- 21) Click on the **Deserializer** tab ([Figure 3](#)) and then press **Read all MAX92xx** in the **Deserializer** group box to read all deserializer registers.
- 22) Select any of the other tabs to evaluate other functions of the SerDes.

### Detailed Description of Software

To start the evaluation kit GUI, select [Start | Programs | Maxim Integrated | MAXSerDesEV-D | MAXSerDesEV-D](#).

### Configuration Settings Window

The **Configuration Settings** window (Figure 1) is the first window that opens after program launch. It allows the user to specify evaluation board setup and mode of operation.

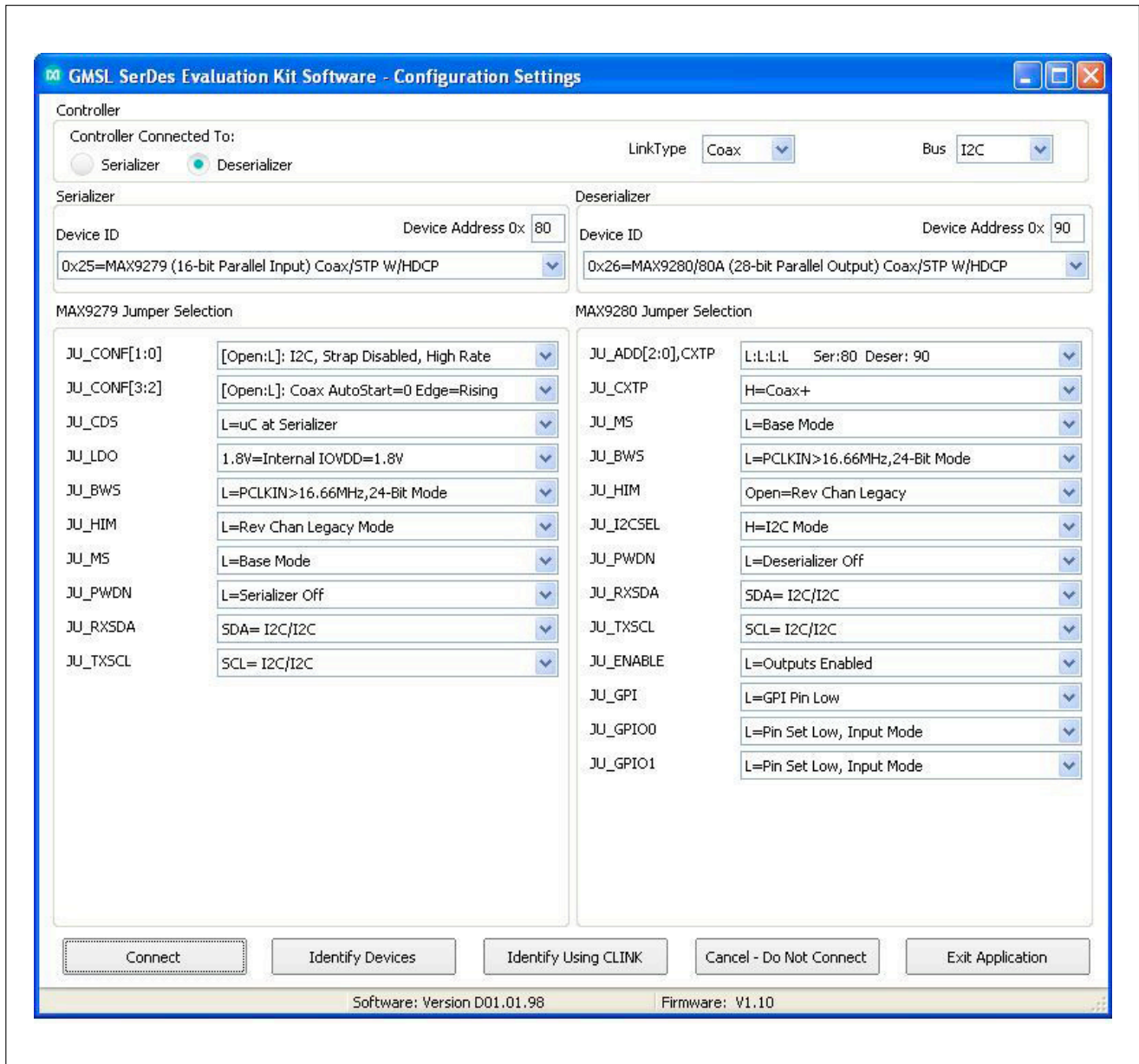


Figure 1. MAXSerDesEV-N EV Kit Software: Configuration Settings Window

### Controller Group Box

In the **Controller** group box, select link type by choosing **Coax** or **STP** from the **LinkType** drop-down list, the **Bus** by choosing **I<sup>2</sup>C** or **UART** from the **Bus** drop-down list, and decide whether serializer or deserializer should connect to the USB controller by clicking on one of the radio buttons. With changes to any of these parameters, selection in the jumper listings below changes automatically, prompting the user to make corresponding changes to the jumper on the EV kit boards.

### Serializer Jumper Selection and Deserializer Jumper Selection

The **MAX9279 Jumper Selection** and **MAX9280/80A Jumper Selection** group boxes list the SerDes jumpers, respectively, on the evaluation boards of the selected **Device IDs** and show the proper shunt positions for the conditions selected in the **Controller** group box.

### Identify Devices Button

The **Identify Devices** button causes the GUI to scan the system and search for slave addresses selectable by the SerDes input address pins. Upon successful communication, identified **Device ID** and corresponding jumper lists are displayed on the **MAX9279 Jumper Selection** and **MAX9280/80A Jumper Selection** group boxes. The user can also manually select a device from the **Device ID** drop-down list and enter a slave address in the **Device Address** edit box. It is good practice to utilize the **Identify Devices** function and verify communication with the DUTs before attempting to **Connect**. [Figure 8](#), [Figure 9](#), [Figure 10](#), [Figure 11](#), and [Figure 12](#) show jumper settings on the MAX9275/MAX9279 PCB for coax or STP cable and UART or I<sup>2</sup>C communication with a USB controller connected to the serializer board. Refer to the MAX9275/MAX9279 IC data sheet for detailed configuration information. See [Table 1](#) for jumper functions and settings.

### Connect Button

The **Connect** button opens up the EV kit window, reads the SerDes registers, and updates the register maps for both. Successful communication is indicated by green LED indicators, and in case of a communication problem, the color turns red.

### Cancel - Do Not Connect Button

The **Cancel - Do Not Connect** button brings up the EV kit window without attempting to connect to the microcontroller of the SerDes. Although there is no communication with the microcontroller, all functions and tabs corresponding to the selected **Device IDs** on the EV kit become active once there.

### Evaluation Kit Window

The **Evaluation Kit** window ([Figure 2](#)) provides access to all internal functions of the DUTs by means of reading and writing registers through different tabs, allowing the user to evaluate various functions of the SerDes.

### Serializer Group Box

The **Serializer** group box provides pushbuttons to update the serializer's register map from the DUT using the **Read All ....** button, or update from a previously saved file, **Load** button, or save existing registers values into a file for future reference using the, **Save** button.

### Deserializer Group Box

The **Deserializer** group box provides pushbuttons to update the deserializer's register map from the DUT using the **Read All** button, update from a previously saved file using the **Load** button, or save existing register values into a file for future reference using the **Save** button.

### Open Configuration Button

The **Open Configuration** button returns the user to the **Configuration Settings** window. Use the **Open Configuration** and **Connect** buttons to go back and forth between the **Configuration Settings** window and the **Evaluation Kit** window.

**Read All Button**

The **Read All** button reads both SerDes device registers.

**MAX9279 Tab**

The **MAX9279** tab (Figure 2) lists the serializer’s registers and bit maps. **Read** and **Write** buttons in each register group box allows read/write access for each bit (or group of bits) that specify a function or condition, as defined in the

respective serializer IC data sheet. The color of the small LED indicator next to the **Read/Write** buttons indicates the communication status. Red indicates failed communication and green indicates successful communication.

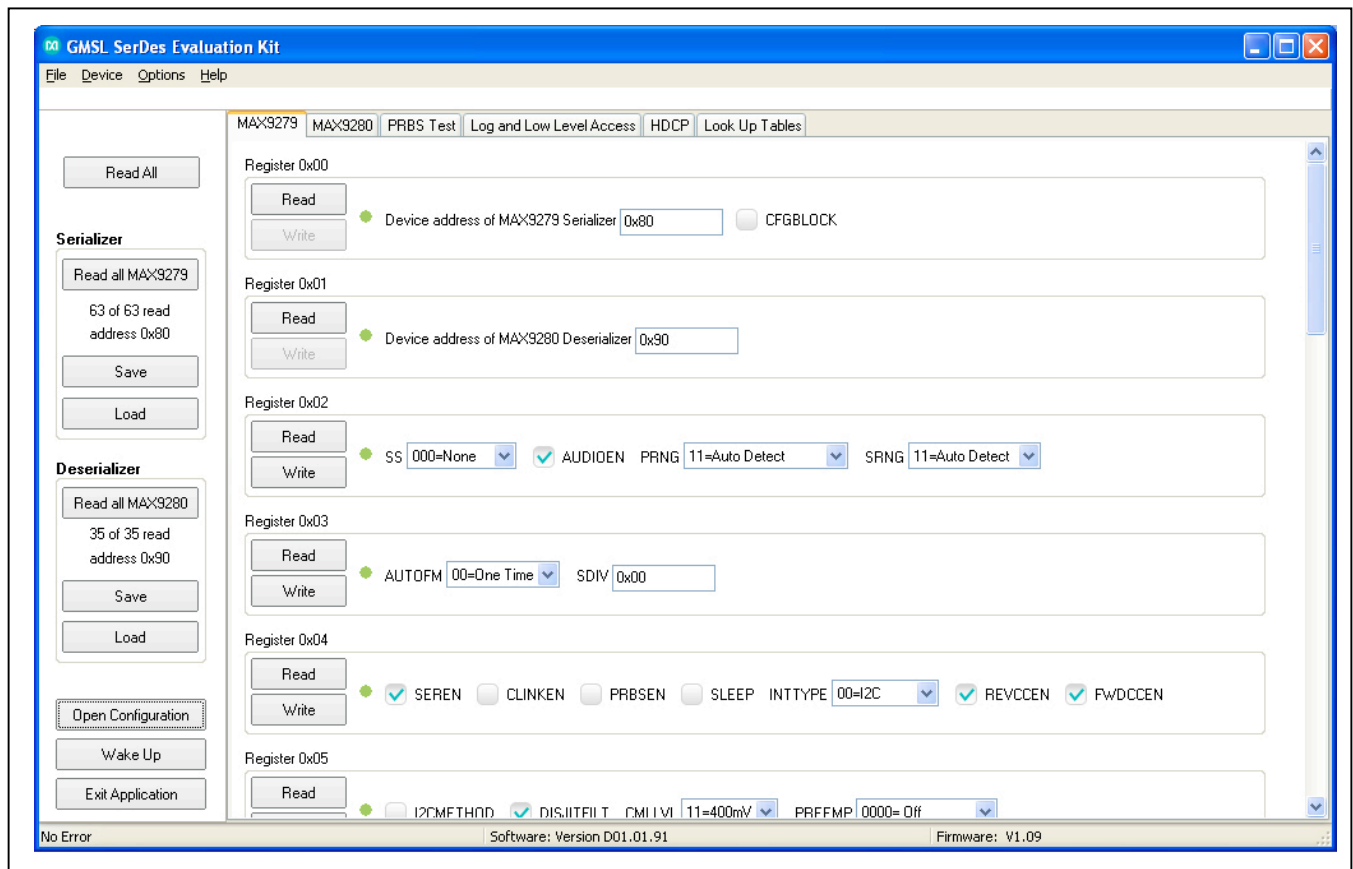


Figure 2. MAXSerDesEV-N EV Kit Software: Evaluation Kit Window (MAX9279 Tab)

**MAX9280/80A Tab**

The **MAX9280/80A** tab (Figure 3) lists the deserializer's registers and bitmaps. Read and Write buttons in each register group box allows read/write access for each bit (or group of bits) that specify a function or condition, as

defined in the respective deserializer IC data sheet. The color of the small LED indicator next to the **Read** and **Write** buttons indicates the communication status. Red indicates failed communication and green indicates successful communication.

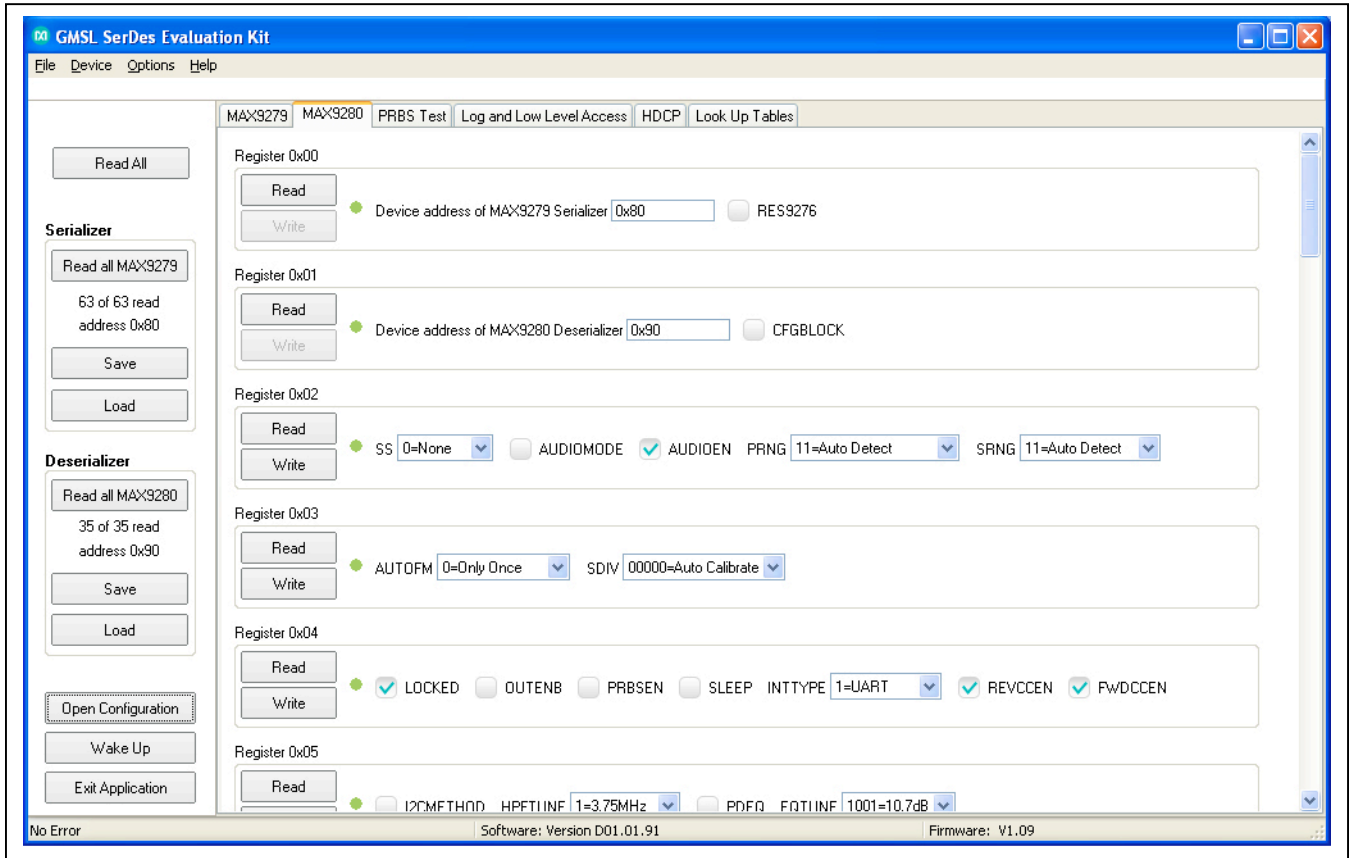


Figure 3. MAXSerDesEV-N EV Kit Software: Evaluation Kit Window (MAX9280/80A Tab)

**PRBS Test**

Upon pressing the **Start** button in the **PRBS Test** tab (Figure 4), the SerDes registers are programmed per defined sequence in the IC data sheets to perform a pseudorandom bit sequence (PRBS) error-

rate test. Enter test duration (maximum 32,767s = 9.1hrs) in the **Duration** edit box in the **Bit Error Rate Test** group box and press the **Start** button to start the test. Upon test completion, the number of bit errors read from the PRBSERR register are displayed in the **PRBS Error Counter** box.

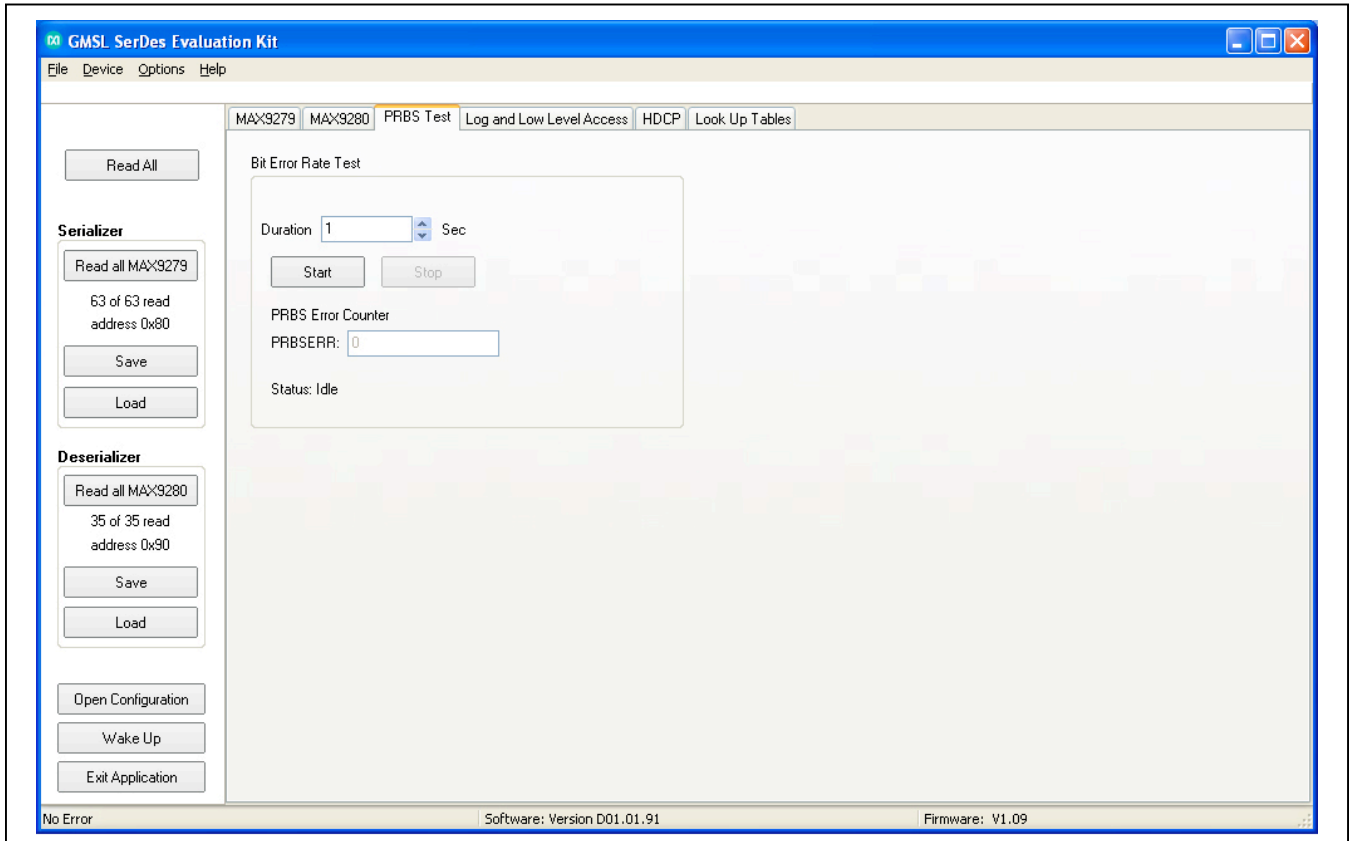


Figure 4. MAXSerDesEV-N EV Kit Software: Evaluation Kit Window (PRBS Test Tab)

**Log and Low Level Access Tab**

The **Log and Low Level Access** tab (Figure 5) logs all activities between the GUI and DUTs. The **Register Access** group box allows read or write of the specified slave and register addresses. Press the **Send String to**

**EVKIT** button to communicate with devices that are not register-based, such as the MAX7324.

User-supplied devices requiring other interface protocols must use raw TX byte codes to communicate. Note that in bypass mode, raw data passes directly to the user-supplied slave device without modification.

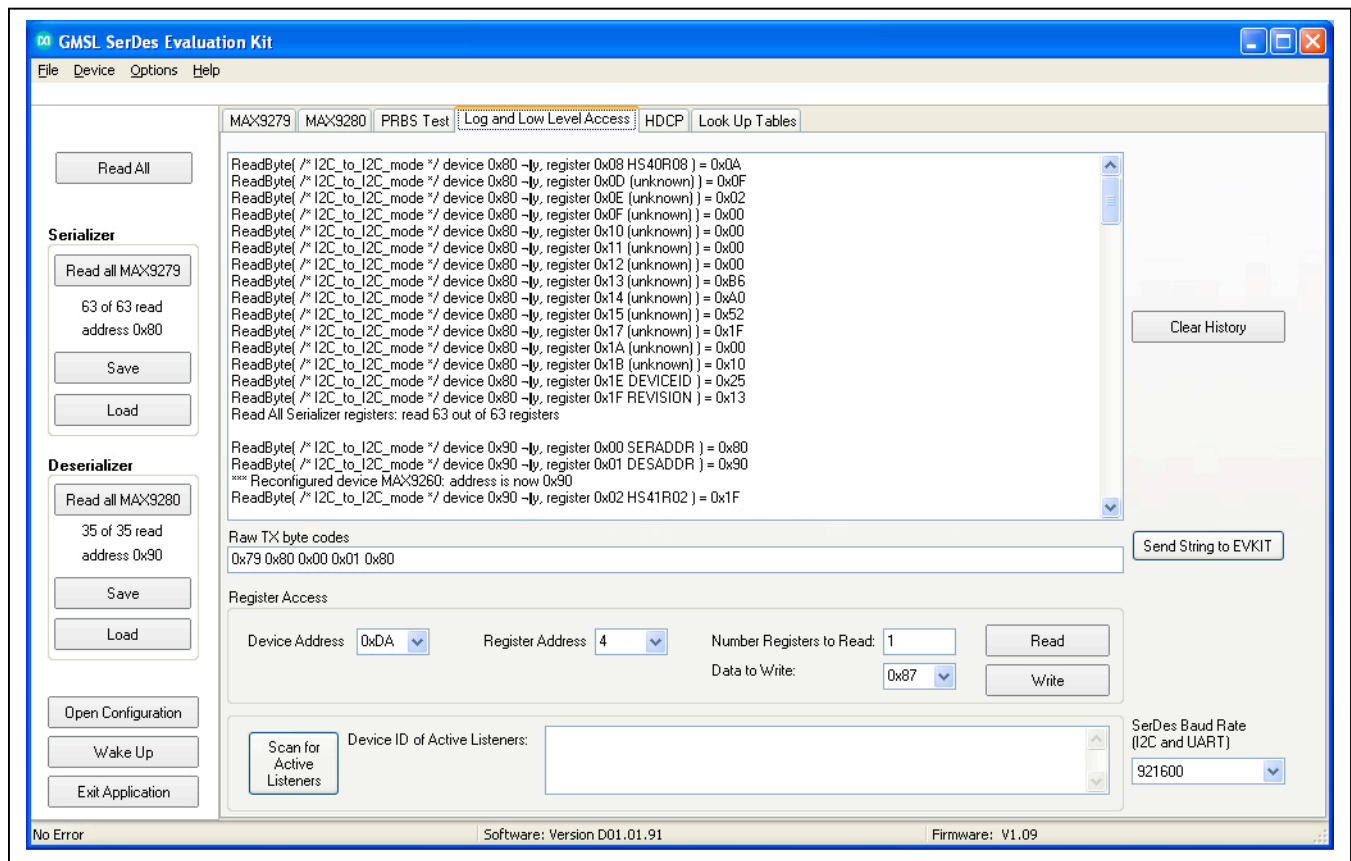


Figure 5. MAXSerDesEV-N EV Kit Software: Evaluation Kit Window (Log and Low Level Access Tab)



**HDCP Tab**

The **HDCP** tab (Figure 6) is viewable only for SerDes that support the HDCP function. The HDCP registers of both SerDes are displayed side-by-side with **Read** and

**Write** buttons for each register. **Authenticate** and **Enable Encryption** buttons initiate start of the corresponding function; at the end of the operation, the color of the LED indicator turns green to indicate success of the function or red to indicate failure.

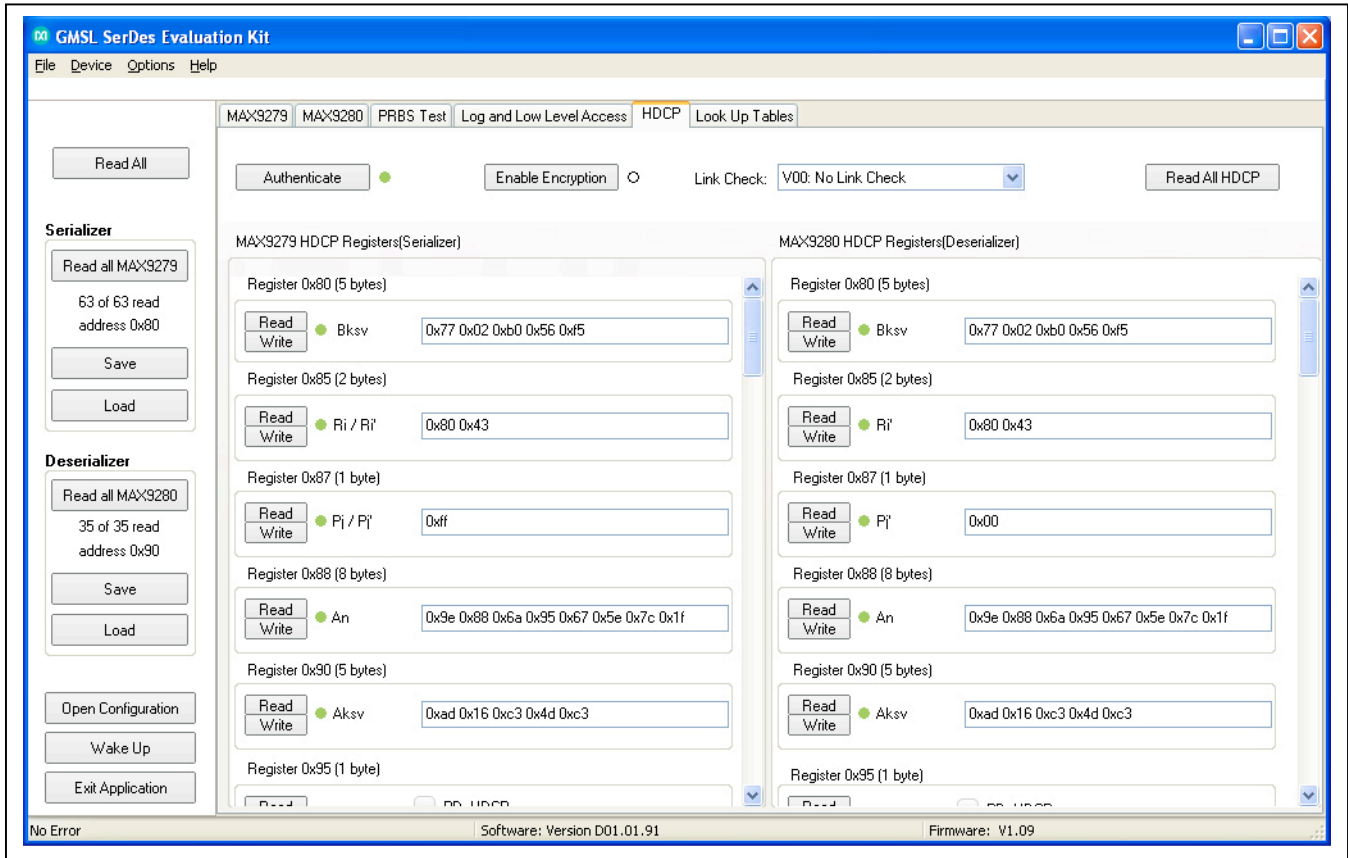


Figure 6. MAXSerDesEV-N EV Kit Software: Evaluation Kit Window (HDCP Tab)

**Lookup Tables Tab**

The **Lookup Tables** tab (Figure 7) provides access to the look up tables (LUTs) of the deserializer. Use this tab to program/view/edit LUT settings of the red, green, and blue colors for color translation. LUT content edits can be performed on the entire 256 bytes of all three colors, of

an individual color, or of an individual pixel of any color table. Contents of the **Lookup Tables** can be saved as a .csv file for use as a template, or can be uploaded from an existing file. A sample LUT contents file is provided in the EV kit GUI.

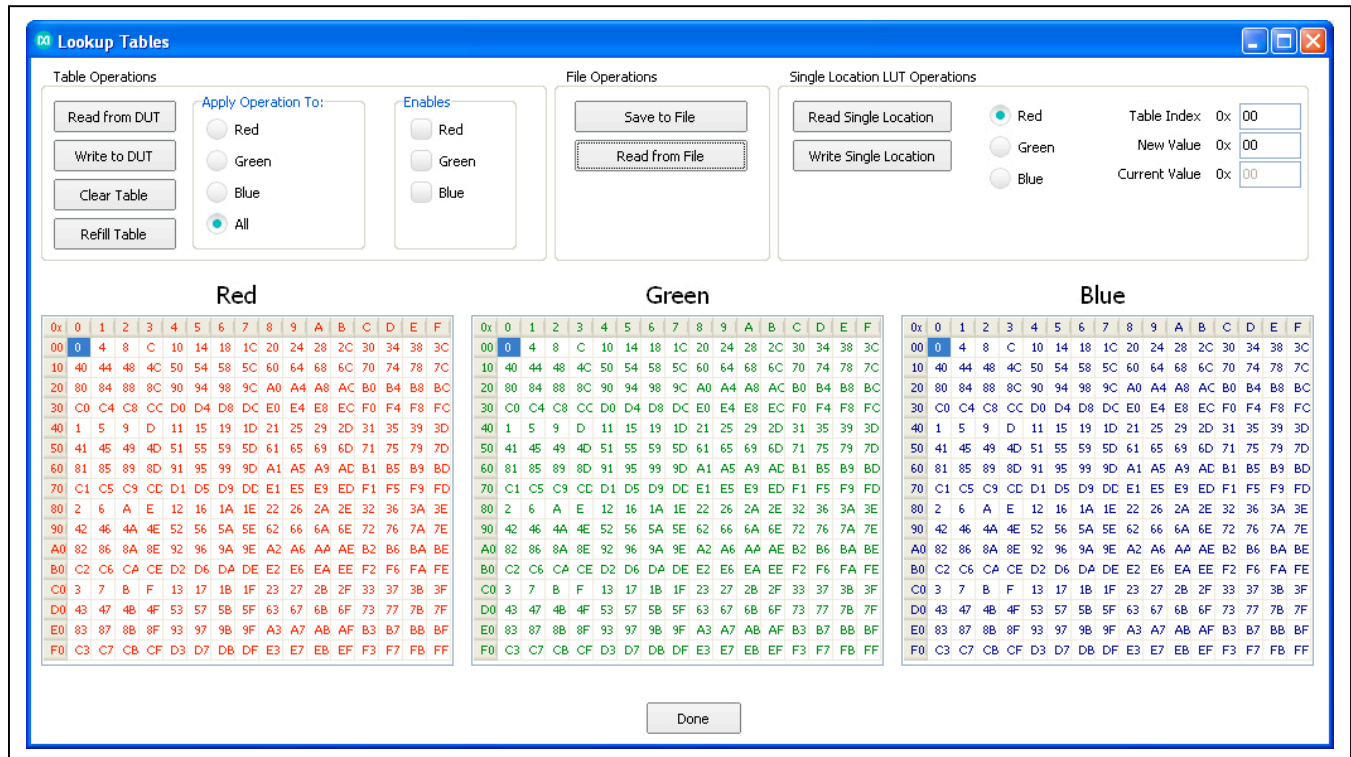


Figure 7. MAXSerDesEV-N EV Kit Software: Evaluation Kit Window (Lookup Tables)

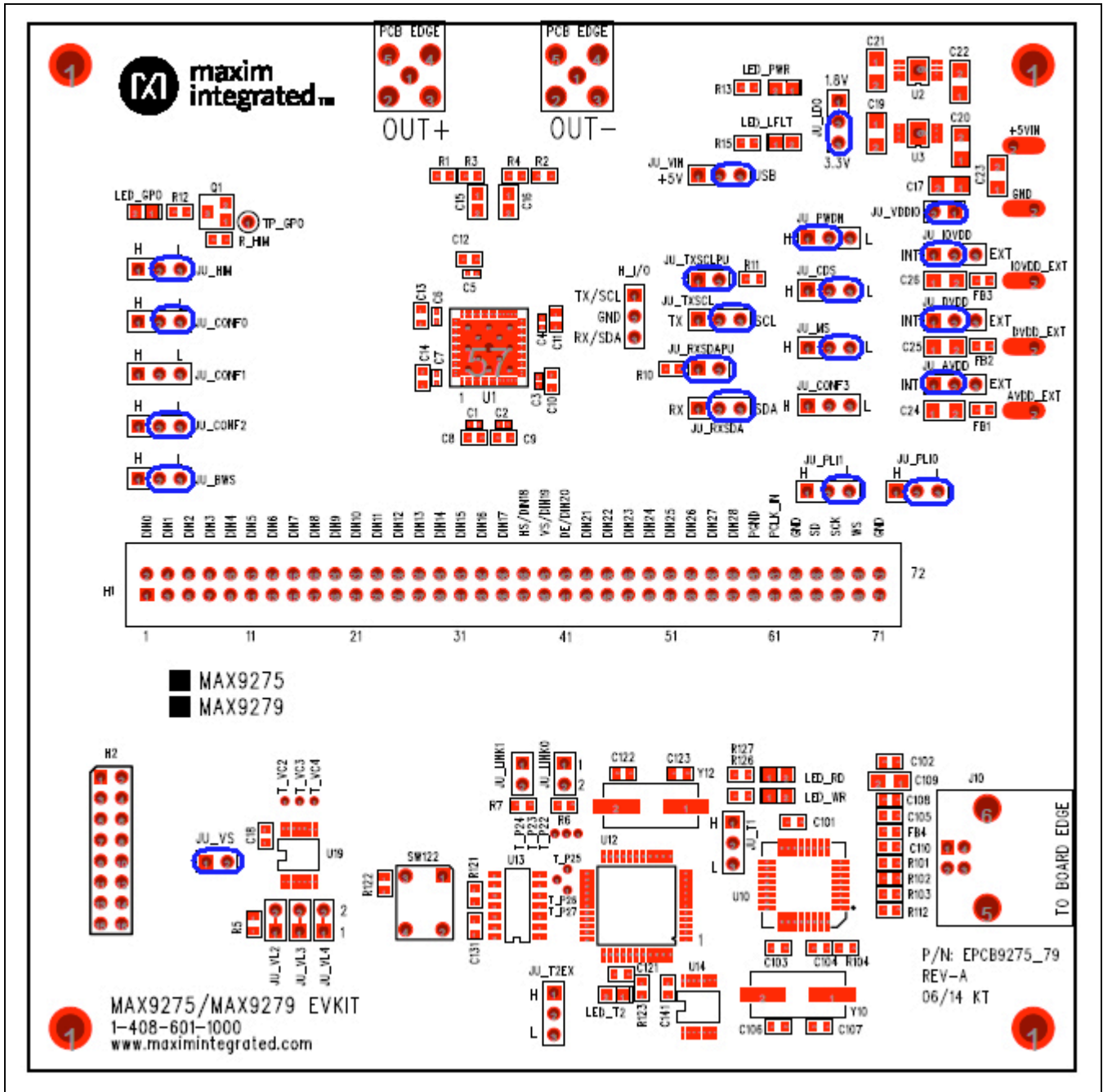


Figure 8. Initial Serializer Jumper Settings for Coax/I<sup>2</sup>C Mode

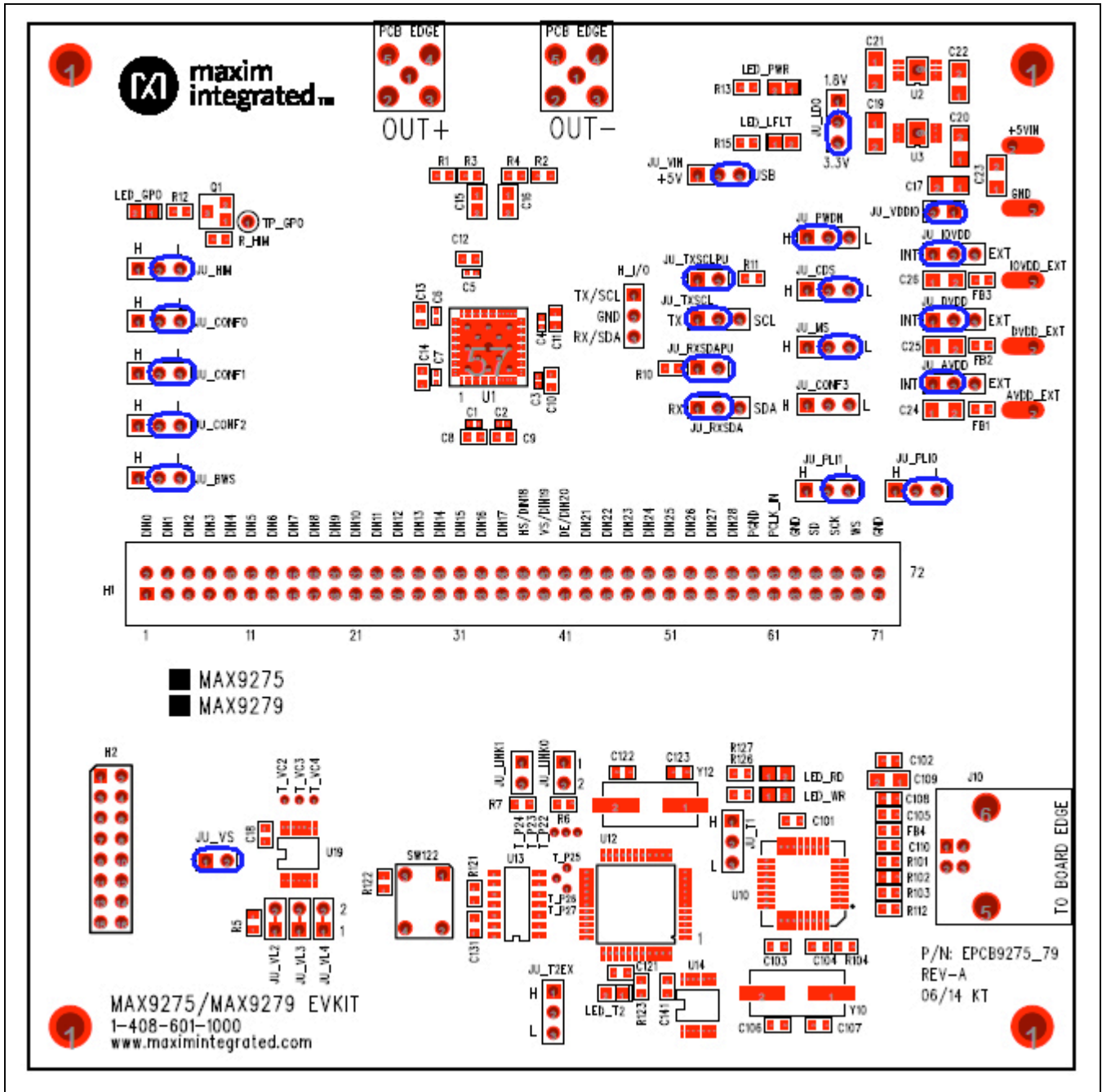


Figure 9. Serializer Jumper Settings for Coax/UART Mode

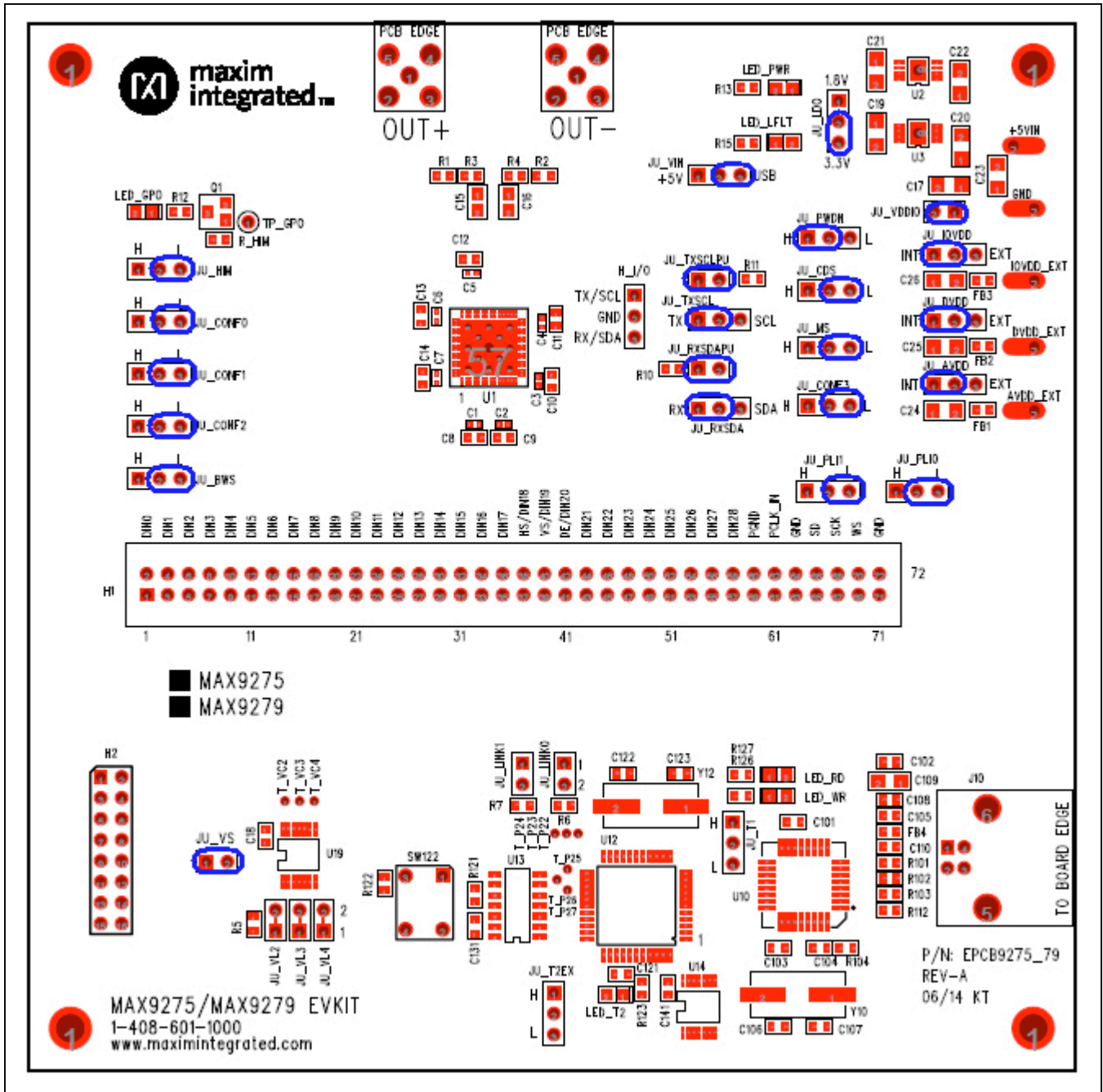


Figure 10. Serializer Jumper Settings for STP/UART Mode

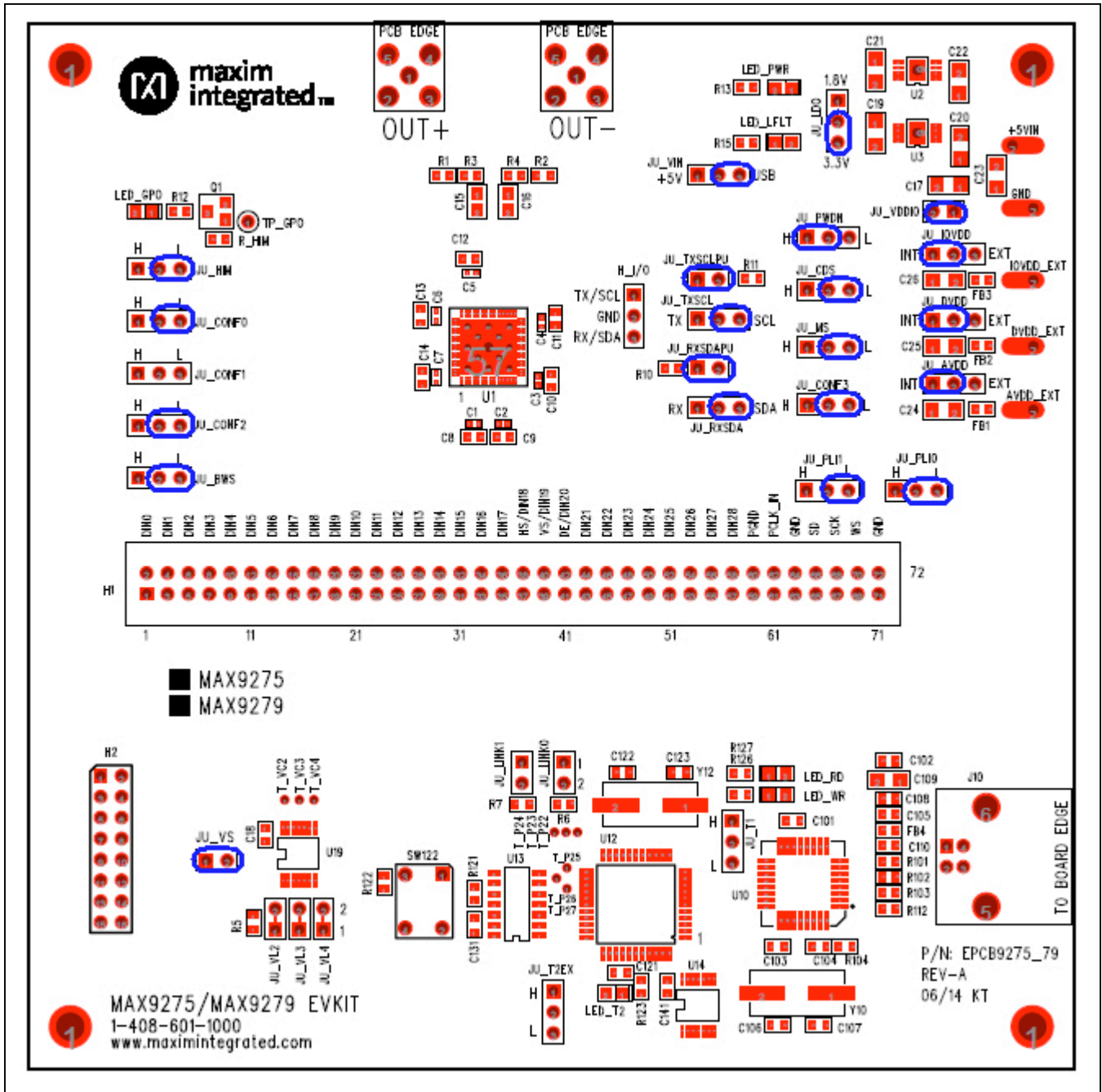


Figure 11. Serializer Jumper Settings for STP/I2C Mode

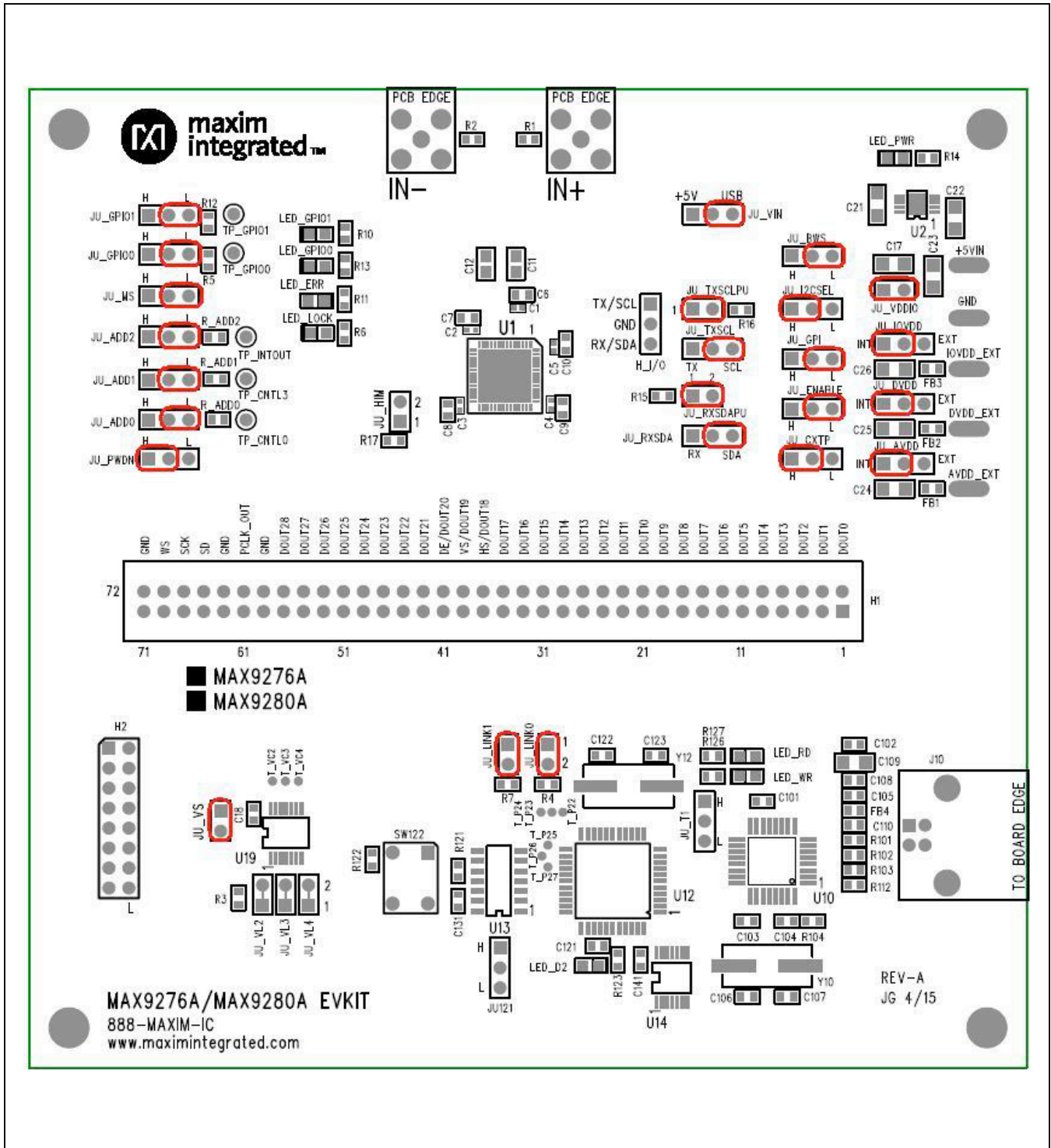


Figure 12. Initial Deserializer Jumper Settings for Coax/I2C Mode

## Detailed Description of Hardware

The MAX9275/MAX9279 coax EV kits provide a proven layout for the MAX9275/MAX9279 GMSL serializers with the use of a standard FAKRA coax cable. On-board level translators and easy-to-use USB-PC connection are included on the EV kit.

The EV kit board's layout is divided into three principal sections:

- 1) Power-supply circuitry: On-board LDO regulators U2 and U3 power the AVDD, DVDD, and IOVDD supplies from +5VIN.
- 2) MAX9275/MAX9279 and support components.
- 3) Microcontrollers (U12, U10) and support components.

### On-Board-Supplied Interface

The EV kit board provides a UART and I<sup>2</sup>C interface (through U12 and U14) intended to operate while both SerDes boards are powered up and locked.

### User-Supplied Interface

To use the EV kit with a user-supplied interface, remove shunts from the JU\_TXSCL header and apply a TX/SCL signal to the middle pin of the JU\_TXSCL header. Also, remove shunts from the JU\_RXSDA header and apply an RX/SDA signal to the middle pin of the JU\_RXSDA header.

Refer to the MAX9275/MAX9279 and MAX9276A/MAX9280A IC data sheets for details regarding UART protocol for base mode, write-data format, read-data format, selecting base mode or bypass mode, and selecting a UART or I<sup>2</sup>C slave device.

### User-Supplied Power Supply

The EV kit draws power from the USB port by default. Jumper JU\_VIN selects between the 5V USB supply or the +5VIN user-supplied power to power up U1 and its supporting circuitry.

To provide different power supplies to AVDD, DVDD, and IOVDD, move shunts on the JU\_AVDD, JU\_DVDD, and JU\_IOVDD headers from the INT to EXT positions and apply external user-supplied power at the AVDD\_EXT, DVDD\_EXT, and IOVDD\_EXT terminals, respectively.

## Detailed Description of Firmware

The DS89C450 microcontroller (U12) runs custom firmware that ensures that no breaks occur within register read/write commands. The firmware records 9-bit even-parity data received from the USB interface while RTS is set, and plays back the 9-bit data with 1.5 stop bits timing when RTS is cleared. Data received from the SerDes is immediately relayed to the USB.



Table 1. Jumper Descriptions

JUMPER	SIGNAL	SHUNT POSITION	FUNCTION
JU_AVDD	AVDD	INT*	AVDD supplied internally
		EXT	AVDD supplied through the AVDD_EXT terminal
JU_BWS	BWS	L*	PCLKIN > 12.5MHz, 32-bit mode
		H	PCLKIN > 12.5MHz, 32-bit mode
		Open	PCLKIN > 33.33MHz 27-bit high bandwidth
JU_CDS	CDS	L*	μC is connected at the serializer side
		H	μC is connected at the deserializer side
JU_CONF0	CONF0	L*	(See Table 2)
		H	(See Table 2)
		Open	(See Table 2)
JU_CONF1	CONF1	L	(See Table 2)
		H	(See Table 2)
		Open*	(See Table 2)
JU_CONF2	CONF2	L	(See Table 3)
		H	(See Table 3)
		Open*	(See Table 3)
JU_CONF3	CONF3	L	(See Table 3)
		H	(See Table 3)
		Open*	(See Table 3)
JU_DVDD	DVDD	INT*	DVDD supplied internally
		EXT	DVDD supplied through the AVDD_EXT terminal
JU_HIM	GPO/HIM	L*	Reverse channel in legacy mode
		H	Reverse channel in high-immunity mode
JU_IOVDD	IOVDD	INT*	IOVDD supplied internally
		EXT	IOVDD supplied through the AVDD_EXT terminal
JU_LDO	LDO	3.3V*	Internal IOVDD = 3.3V
		1.8V	Internal IOVDD = 1.8V
JU_LINK0	LINK0	—	Reserved for factory diagnostics test
JU_LINK1	LINK1	—	Reserved for factory diagnostics test
JU_MS	MS	L*	Base mode
		H	Bypass mode
JU_PLI0	PLI0	L*	Pins 1, 5, and 9 on header H1 connected to GND
		H	Pins 1, 5, and 9 on header H1 connected to VDDIO
		Open	Pins 1, 5, and 9 on header H1 open
JU_PLI1	PLI1	L*	Pin 3, 7, and 11 on header H1 connected to GND
		H	Pin 3, 7, and 11 on header H1 connected to VDDIO
		Open	Pin 3, 7, and 11 on header H1 open

**Table 1. Jumper Descriptions (continued)**

JUMPER	SIGNAL	SHUNT POSITION	FUNCTION
JU_PWDN	PWDN	L	Serializer is powered on
		H*	Serializer is powered off
JU_RXSDA	RXSDA	RX*	UART-to-UART or UART-to-I <sup>2</sup> C mode (do not install if controller is on the deserializer side)
		SDA	I <sup>2</sup> C-to-I <sup>2</sup> C mode (do not install if controller is on the deserializer side)
JU_RXSDAPU	RXSDA	Short*	RX/SDA pulled up to IOVDD
		Open	RX/SDA pulled up to IOVDD externally
JU_T1	USB_RI	L	U1-11 to GND (factory use only)
		H	U1-11 to USB+5V (factory use only)
JU_T2EX	T2EX	Open*	U1-11 open (factory use only)
		L	U1-41 to GND (factory use only)
		H	U1-41 to USB+5V (factory use only)
		Open*	U1-41 open (factory use only)
JU_TXSCL	TXSCL	TX*	UART-to-UART or UART-to-I <sup>2</sup> C mode (do not install if controller is on the deserializer side)
		SCL	I <sup>2</sup> C-to-I <sup>2</sup> C mode (do not install if controller is on the deserializer side)
JU_VDDIO	VDDIO	Short*	VDDIO applied to U1
		Open	Connect ammeter to measure I <sub>VDDIO</sub>
JU_VIN	VIN	USB	5V supplied from the USB port
		+5V*	5V supplied from the external supply applied on the +5V terminal
JU_VS	VS	Short*	VS/DIN19 (reserved for factory diagnostics test)
		Open	

\*Default position.

**Table 2. Jumper Settings (JU\_CONF1, JU\_CONF0)**

JU_CONF1 SHUNT POSITION	CONF1	JU_CONF0 SHUNT POSITION	CONF0	CONTROL CHANNEL (I2CSEL)	SPREAD ENABLE (SSEN)	DATA-RATE SELECT (DRS)
L*	Low	L*	Low	UART (0)	Disabled (0)	High rate (0)
L	Low	Open	High	UART	Disabled	Low rate (1)
H	High	H	Low	UART	Enabled (1)	High rate
H	High	L	High	UART	Enabled	Low rate
Open	Open	Open	Low/Mid	I <sup>2</sup> C (1)	Disabled	High rate
L	Low	H	Mid	I <sup>2</sup> C	Disabled	Low rate
H	High	L	Mid	I <sup>2</sup> C	Enabled	High rate
Open	Mid	Open	High	I <sup>2</sup> C	Enabled	Low rate

\*Default position.

**Table 3. Jumper Settings (JU\_CONF3, JU\_CONF2)**

JU_CONF3 SHUNT POSITION	CONF3	JU_CONF2 SHUNT POSITION	CONF2	OUT± OUTPUT TYPE (CX/TP)	AUTOSTART (AUTOS)	PCLKIN LATCH EDGE (ES)
L	Low	L	Low	STP (0)	Autostart (0)	Rising (0)
L	Low	Open	High	STP	Autostart	Falling (1)
H	High	H	Low	STP	No autostart (1)	Rising
H	High	L	High	STP	No autostart	Falling
Open*	Open	Open*	Low/Open	Coax (1)	Autostart	Rising
L	Low	H	Open	Coax	Autostart	Falling
H	High	L	Open	Coax	No autostart	Rising
Open	Open	Open	High	Coax	No autostart	Falling

\*Default position.

## Component List, Schematics, and PCB Layout Diagrams

Click on the links below for component information, schematics, and PCB layout diagrams:

- [MAX9275/MAX9279 EV Kit BOM](#)
- [MAX9275/MAX9279 EV Kit Schematics](#)
- [MAX9275/MAX9279 EV Kit PCB Layout](#)

## Ordering Information

PART	TYPE
<b>MAX9275</b> COAXEVKIT#	EV Kit
<b>MAX9279</b> COAXEVKIT#	EV Kit
MAXCOAX2STP-HSD#	Adapter Kit

#Denotes RoHS compliant.

**Note:** The MAX9275 and MAX9279 serializer coax EV kits are usually ordered with a companion deserializer board:

- MAX9276A EV kit (MAX9276ACOAXEVKIT#), or
- MAX9280A EV kit (MAX9280ACOAXEVKIT#)

## Revision History

REVISION NUMBER	REVISION DATE	DESCRIPTION	PAGES CHANGED
0	7/15	Initial release	—
1	2/16	Removed MAX9276A and MAX9280A from <i>Ordering Information</i> table	19

For pricing, delivery, and ordering information, please contact Maxim Direct at 1-888-629-4642, or visit Maxim Integrated's website at [www.maximintegrated.com](http://www.maximintegrated.com).

*Maxim Integrated cannot assume responsibility for use of any circuitry other than circuitry entirely embodied in a Maxim Integrated product. No circuit patent licenses are implied. Maxim Integrated reserves the right to change the circuitry and specifications without notice at any time.*

Part Report for max9275\_79\_evkit\_a.pcb on 6/19/2014 7:12:11 AM

Name	Part Type	PCB Decal	Value	Tolerance	Voltage
+5VIN	MAXIMPAD	INPUT\OUTPUT			
AVDD_EXT	MAXIMPAD	INPUT\OUTPUT			
C1	CAP\CER\SM	CC0402	0.001uF		
C2	CAP\CER\SM	CC0402	0.001uF		
C3	CAP\CER\SM	CC0402	0.001uF		
C4	CAP\CER\SM	CC0402	0.001uF		
C5	CAP\CER\SM	CC0402	0.001uF		
C6	CAP\CER\SM	CC0402	0.001uF		
C7	CAP\CER\SM	CC0402	0.001uF		
C8	CAP\CER\SM	CC0603	0.1uF		
C9	CAP\CER\SM	CC0603	0.1uF		
C10	CAP\CER\SM	CC0603	0.1uF		
C11	CAP\CER\SM	CC0603	0.1uF		
C12	CAP\CER\SM	CC0603	0.1uF		
C13	CAP\CER\SM	CC0603	0.1uF		
C14	CAP\CER\SM	CC0603	0.1uF		
C15	CAP\CER\SM	CC0805	0.22uF		50V
C16	CAP\CER\SM	CC0805	0.22uF		50V
C17	CAP\CER\MED	CC1206	10uF		
C18	CAP\CER\SM	CC0603	0.1uF		
C19	CAP\CER\MED	CC1206	4.7uF		
C20	CAP\CER\MED	CC1206	10uF		
C21	CAP\CER\MED	CC1206	4.7uF		
C22	CAP\CER\MED	CC1206	10uF		
C23	CAP\CER\MED	CC1206	10uF		
C24	CAP\CER\MED	CC1206	10uF		
C25	CAP\CER\MED	CC1206	10uF		
C26	CAP\CER\MED	CC1206	10uF		
C101	CAP\CER\SM	CC0603	0.1uF		

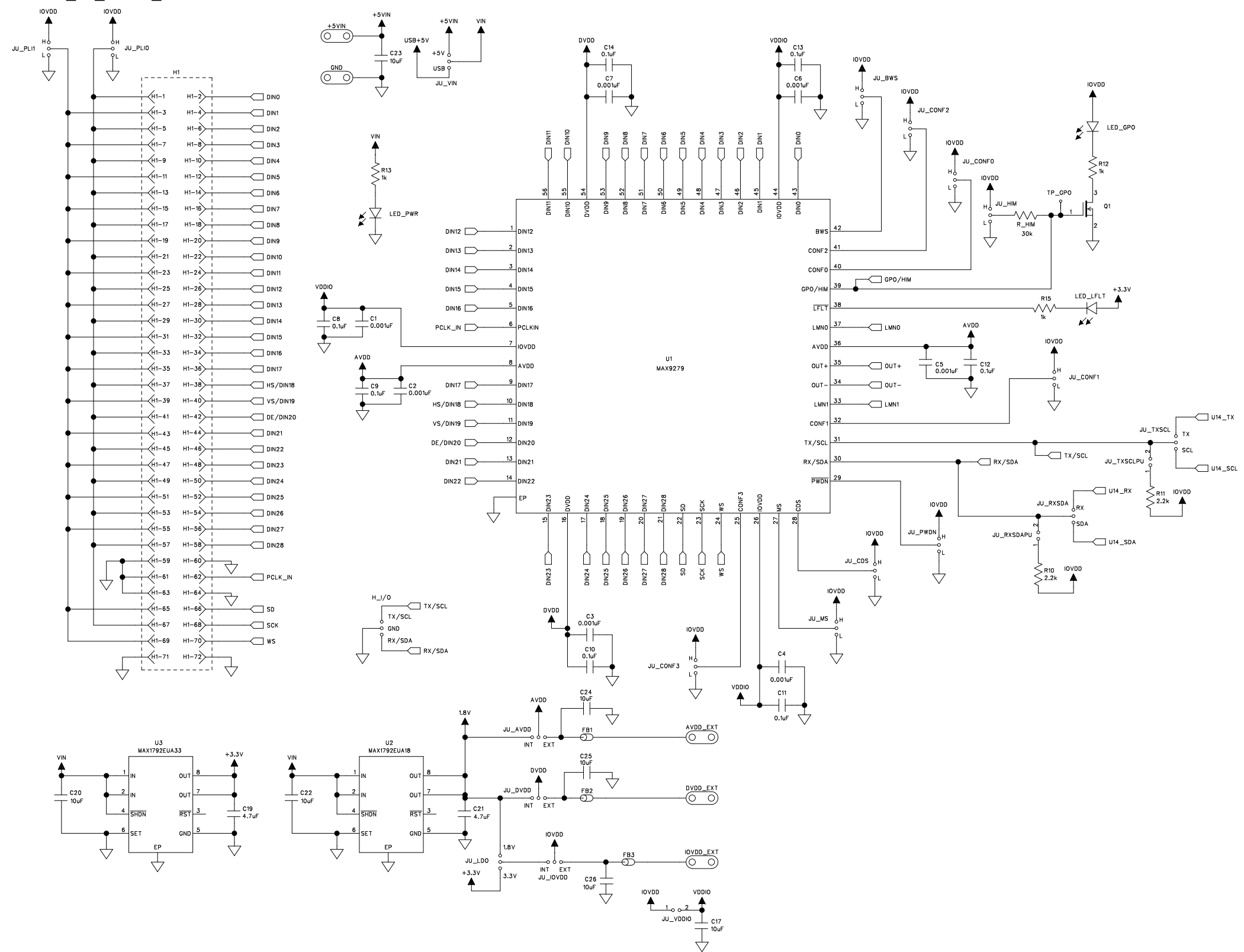
C102	CAP\CER\SM	CC0603	0.1uF
C103	CAP\CER\SM	CC0603	0.1uF
C104	CAP\CER\SM	CC0603	0.1uF
C105	CAP\CER\SM	CC0603	0.1uF
C106	CAP\CER\SM	CC0603	22pF
C107	CAP\CER\SM	CC0603	22pF
C108	CAP\CER\SM	CC0603	1uF
C109	CAP\CER\MED	CC1206	10uF
C110	CAP\CER\SM	CC0603	0.033uF
C121	CAP\CER\SM	CC0603	0.1uF
C122	CAP\CER\SM	CC0603	22pF
C123	CAP\CER\SM	CC0603	22pF
C131	CAP\CER\SM	CC0603	0.1uF
C141	CAP\CER\SM	CC0603	0.1uF
DVDD_EXT	MAXIMPAD	INPUT\OUTPUT	
FB1	FERRITE	CC0603	
FB2	FERRITE	CC0603	
FB3	FERRITE	CC0603	
FB4	FERRITE	CC0603	
GND	MAXIMPAD	INPUT\OUTPUT	
H1	HEADER\2X36-H-MIRRORED	HEADER\2X36-H-MIRRORED	
H2	HEADER2X8	HEADER2X8	
H_I/O	JUMPER2\SIP3	SIP\3P	
IOVDD_EXT	MAXIMPAD	INPUT\OUTPUT	
J10	CONN_USB-B	CON-USB-B	
JU_AVDD	JUMPER2\SIP3	SIP\3P	
JU_BWS	JUMPER2\SIP3	SIP\3P	
JU_CDS	JUMPER2\SIP3	SIP\3P	
JU_CONF0	JUMPER2\SIP3	SIP\3P	
JU_CONF1	JUMPER2\SIP3	SIP\3P	
JU_CONF2	JUMPER2\SIP3	SIP\3P	
JU_CONF3	JUMPER2\SIP3	SIP\3P	

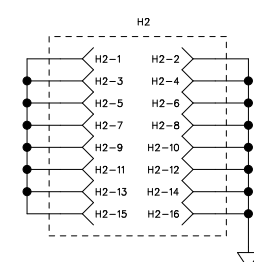
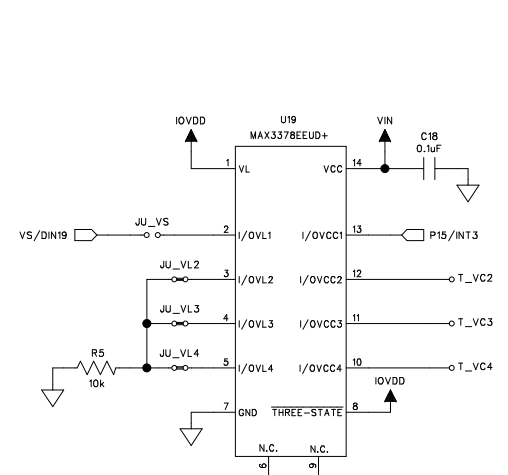
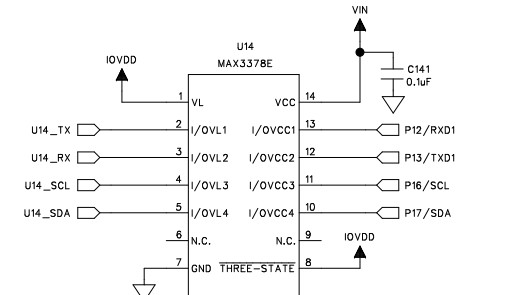
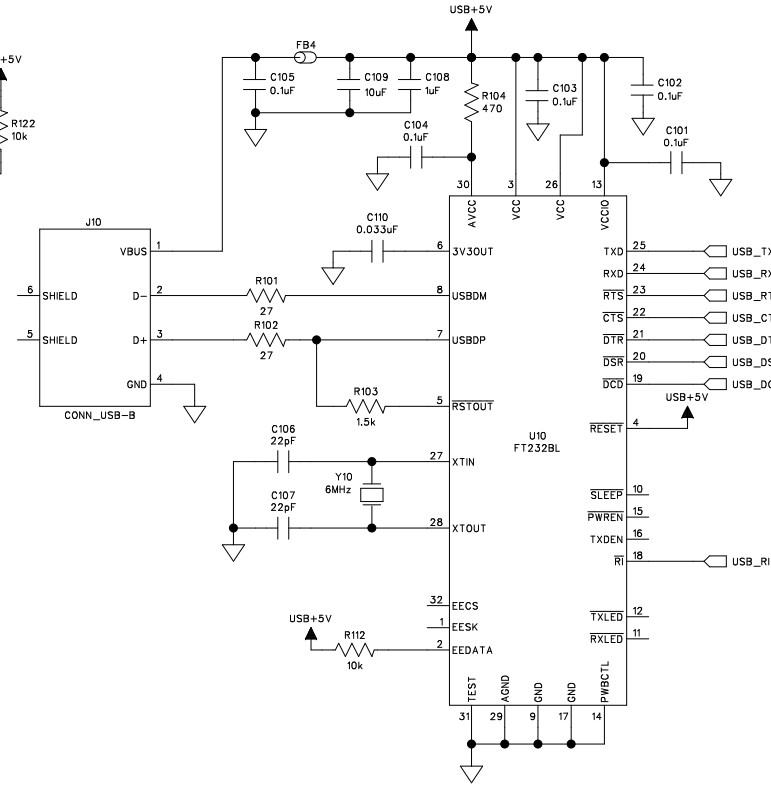
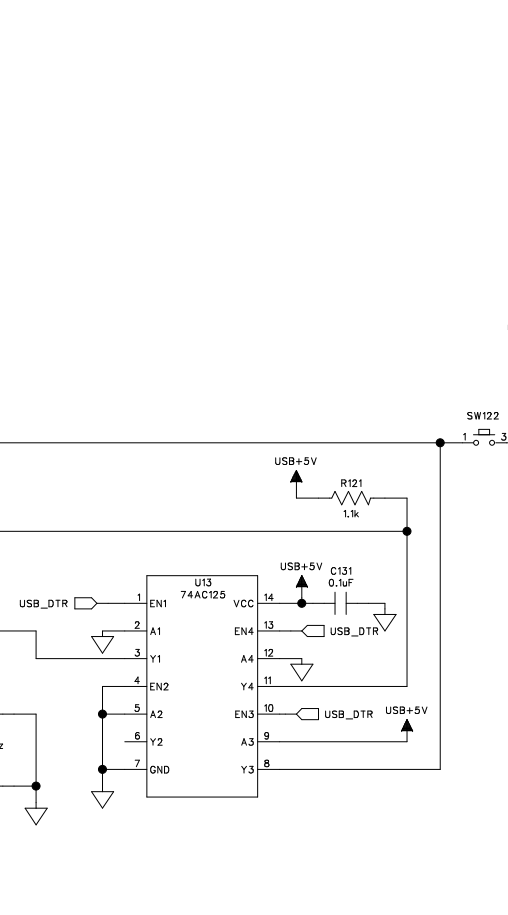
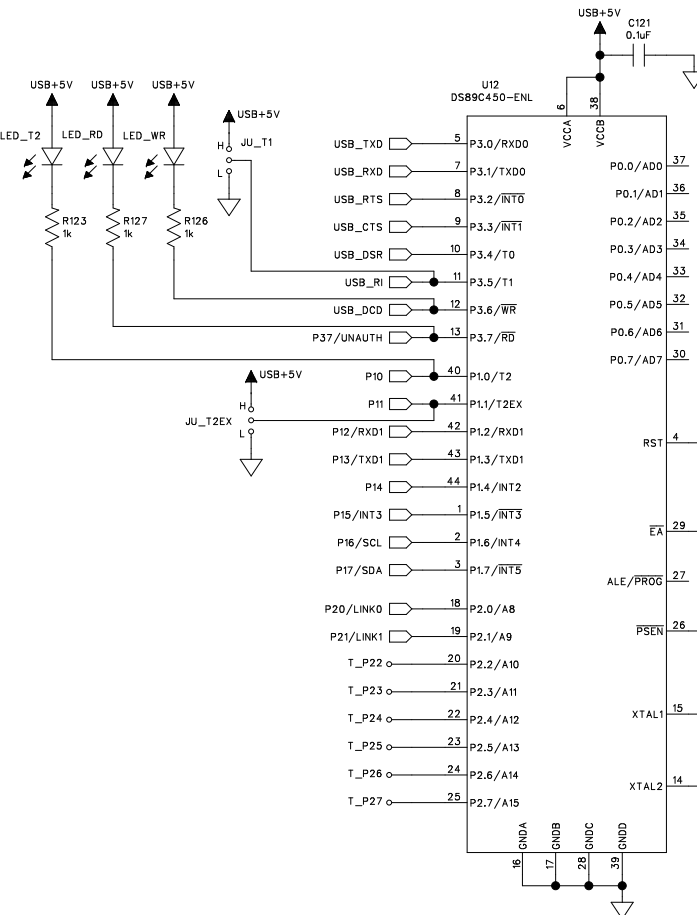
JU_DVDD	JUMPER2\SIP3	SIP\3P
JU_HIM	JUMPER2\SIP3	SIP\3P
JU_IOVDD	JUMPER2\SIP3	SIP\3P
JU_LDO	JUMPER2\SIP3	SIP\3P
JU_LINK0	JUMPER	SIP\2P
JU_LINK1	JUMPER	SIP\2P
JU_MS	JUMPER2\SIP3	SIP\3P
JU_PLI0	JUMPER2\SIP3	SIP\3P
JU_PLI1	JUMPER2\SIP3	SIP\3P
JU_PWDN	JUMPER2\SIP3	SIP\3P
JU_RXSDA	JUMPER2\SIP3	SIP\3P
JU_RXSDAPU	JUMPER	SIP\2P
JU_T1	JUMPER2\SIP3	SIP\3P
JU_T2EX	JUMPER2\SIP3	SIP\3P
JU_TXSCL	JUMPER2\SIP3	SIP\3P
JU_TXSCLPU	JUMPER	SIP\2P
JU_VDDIO	JUMPER	SIP\2P
JU_VIN	JUMPER2\SIP3	SIP\3P
JU_VL2	CUTHERE	CUTHERE
JU_VL3	CUTHERE	CUTHERE
JU_VL4	CUTHERE	CUTHERE
JU_VS	JUMPER	SIP\2P
LED_GPO	LED-0805	LED-0805
LED_LFLT	LED-0805	LED-0805
LED_PWR	LED-0805	LED-0805
LED_RD	LED-0805	LED-0805
LED_T2	LED-0805	LED-0805
LED_WR	LED-0805	LED-0805
OUT+	CON/ROSENBERGER/59SAX-400A5- Y/RT-FAKRA-M	CON/ROSENBERGER/59SAX-400A5- Y/RT-FAKRA-M
OUT-	CON/ROSENBERGER/59SAX-400A5- Y/RT-FAKRA-M	CON/ROSENBERGER/59SAX-400A5- Y/RT-FAKRA-M

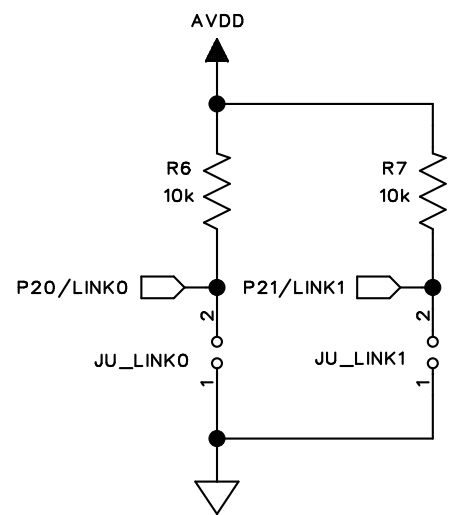
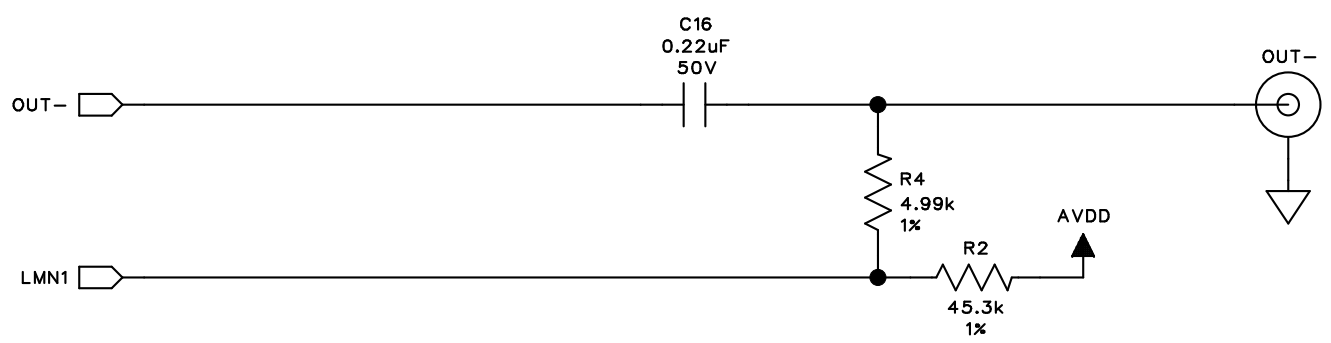
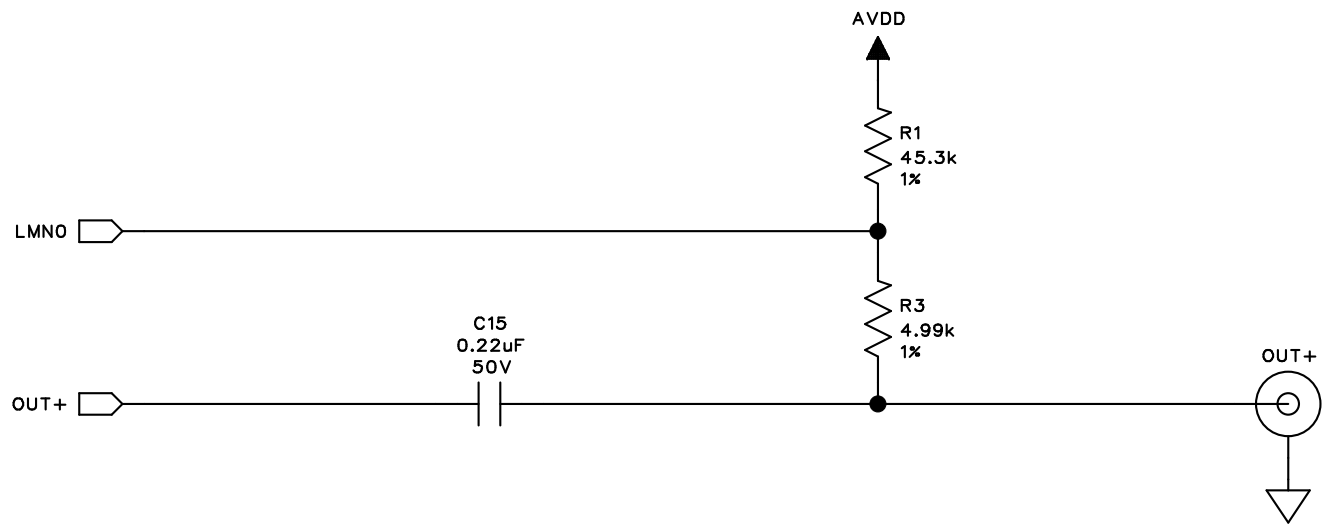
Q1	FET-N-S-SOT23	SOT23	2N7002	
R1	RES\SMD\SM	CC0603	45.3k	1%
R2	RES\SMD\SM	CC0603	45.3k	1%
R3	RES\SMD\SM	CC0603	4.99k	1%
R4	RES\SMD\SM	CC0603	4.99k	1%
R5	RES\0603	CC0603	10k	
R6	RES\0603	CC0603	10k	
R7	RES\0603	CC0603	10k	
R10	RES\SMD\SM	CC0603	2.2k	
R11	RES\SMD\SM	CC0603	2.2k	
R12	RES\SMD\SM	CC0603	1k	
R13	RES\SMD\SM	CC0603	1k	
R15	RES\SMD\SM	CC0603	1k	
R101	RES\SMD\SM	CC0603	27	
R102	RES\SMD\SM	CC0603	27	
R103	RES\SMD\SM	CC0603	1.5k	
R104	RES\SMD\SM	CC0603	470	
R112	RES\SMD\SM	CC0603	10k	
R121	RES\SMD\SM	CC0603	1.1k	
R122	RES\SMD\SM	CC0603	10k	
R123	RES\SMD\SM	CC0603	1k	
R126	RES\SMD\SM	CC0603	1k	
R127	RES\SMD\SM	CC0603	1k	
R_HIM	RES\SMD\SM	CC0603	30k	
SW122	SW-OMRON-B3F-1000	SW-B3F-1000		
TP_GPO	TESTPOINT-PC5000	TESTPOINT-PC5000		
T_P22	TESTPOINT_VIA	TESTPOINT_VIA		
T_P23	TESTPOINT_VIA	TESTPOINT_VIA		
T_P24	TESTPOINT_VIA	TESTPOINT_VIA		
T_P25	TESTPOINT_VIA	TESTPOINT_VIA		
T_P26	TESTPOINT_VIA	TESTPOINT_VIA		
T_P27	TESTPOINT_VIA	TESTPOINT_VIA		




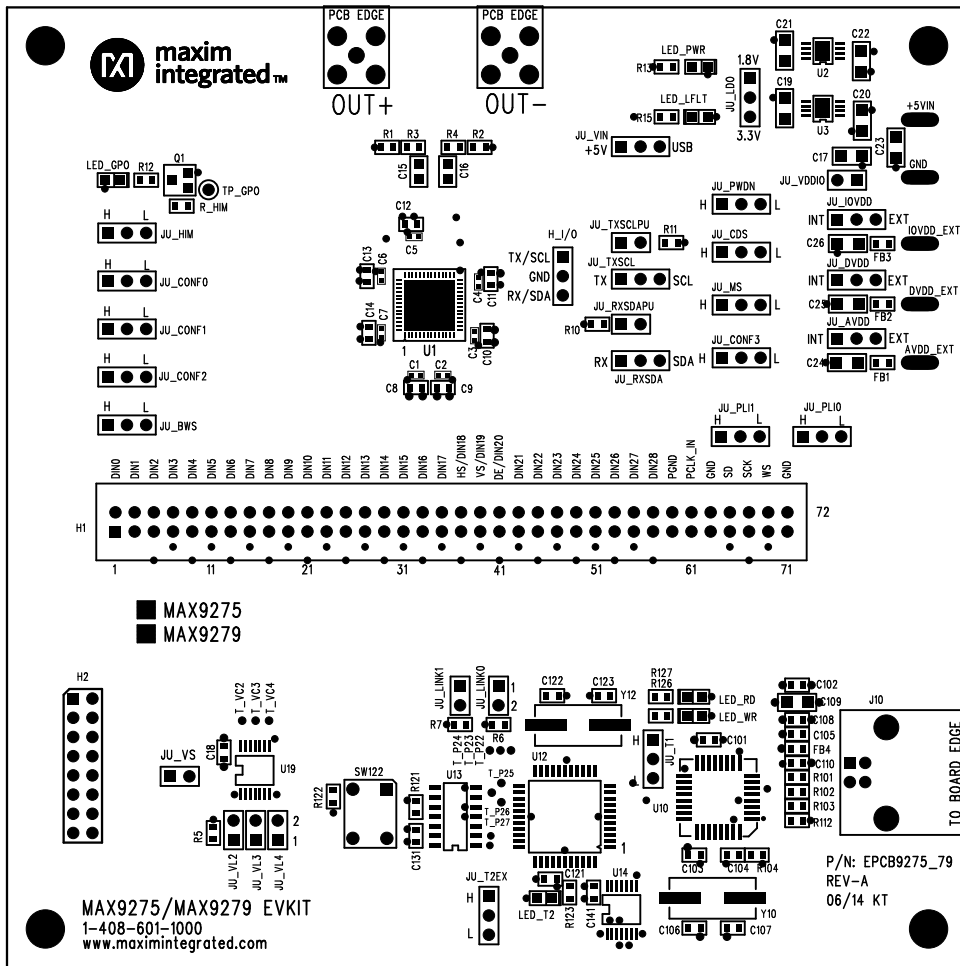
T_VC2	TESTPOINT_VIA	TESTPOINT_VIA	
T_VC3	TESTPOINT_VIA	TESTPOINT_VIA	
T_VC4	TESTPOINT_VIA	TESTPOINT_VIA	
U1	MAX9279	QFN8X8-56L	
U2	MAX1792	MICROMAX\8L\EP	
U3	MAX1792	MICROMAX\8L\EP	
U10	FT232BL-SONG	TQFP_7X7X.8_32L	
U12	DS89C450-ENL	TQFP-44L	
U13	74AC125	SOIC-14L	
U14	MAX3378E	TSSOP-14L	
U19	MAX3378EEUD+	TSSOP-14L	
X1	LOGO_MAXIM_INTEGRATED_ALL	LOGO_MAXIM_INTEGRATED_MED	
X2	MTHOLE	MTHOLE	
X3	MTHOLE	MTHOLE	
X4	MTHOLE	MTHOLE	
X5	MTHOLE	MTHOLE	
Y10	XTAL/HCM49	XTAL\HCM49	6MHz
			14.7456M
Y12	XTAL/HCM49	XTAL\HCM49	Hz




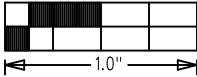
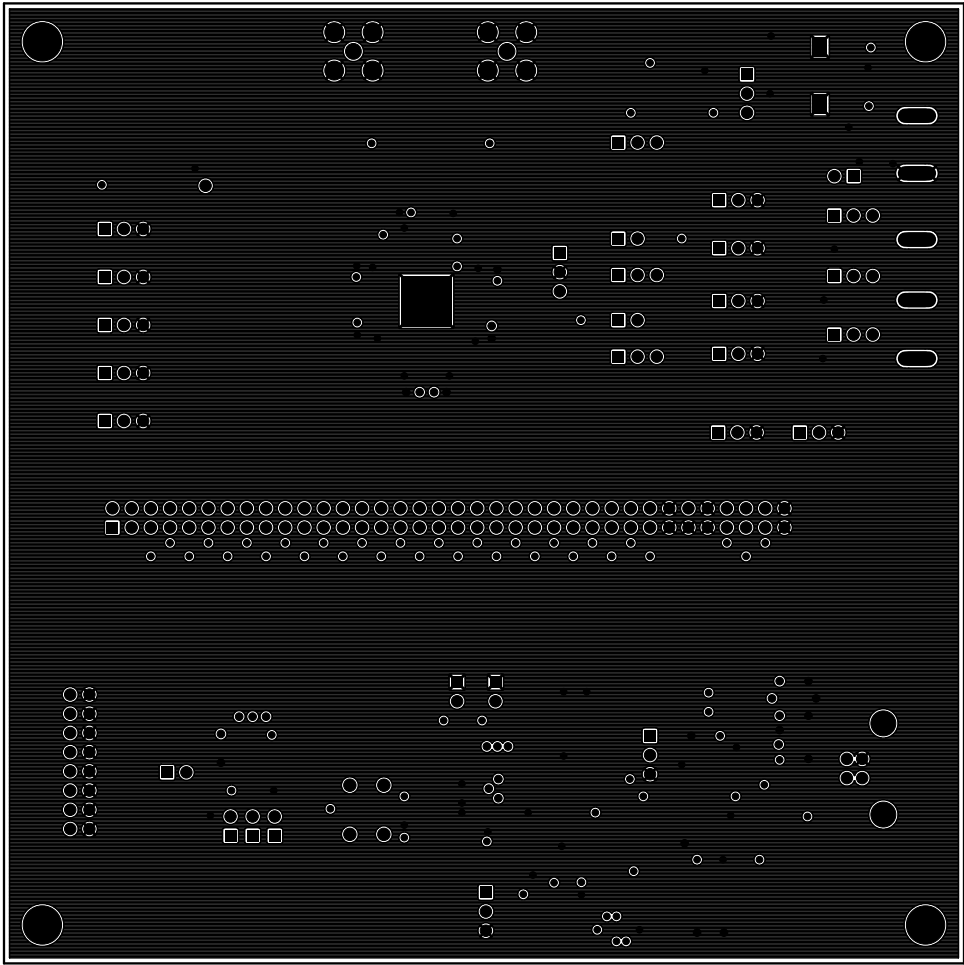





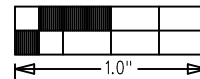
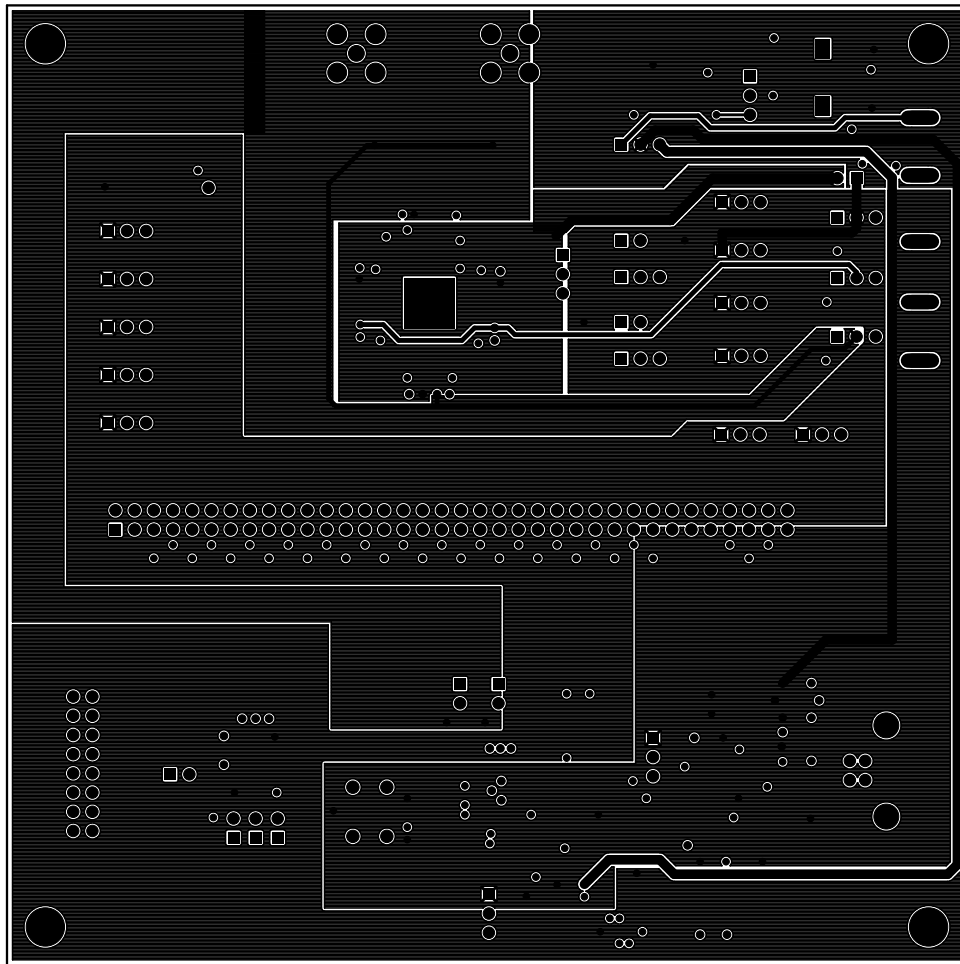
MAX9275/MAX9279 EVKIT	
P/N: EPCB9275_79	REV A
 <b>maxim integrated™</b>	
LAYER TOP SILKSCREEN	
DATE:	ALL UNITS ARE IN 0.001"




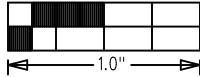
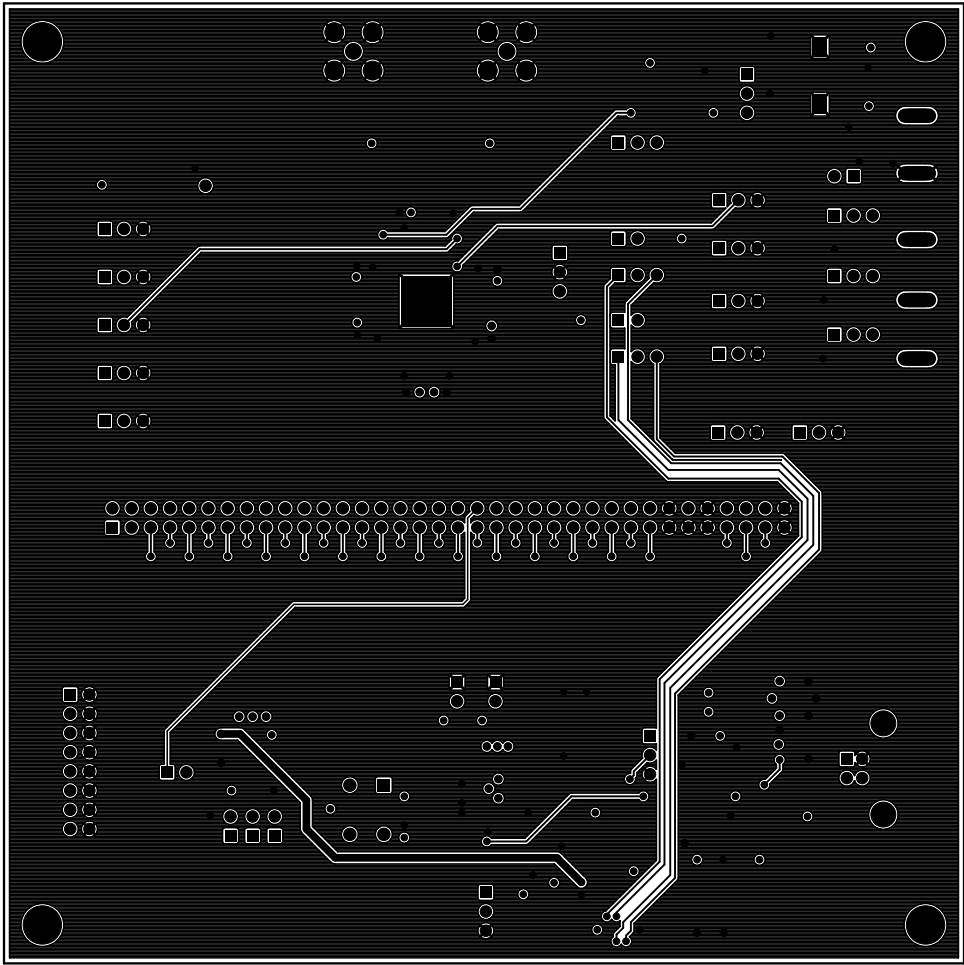
MAX9275/MAX9279 EVKIT	
P/N: EPCB9275_79	REV A
 <b>maxim integrated™</b>	
LAYER	LAYER 2 GND
DATE:	ALL UNITS ARE IN 0.001"




MAX9275/MAX9279 EVKIT	
P/N: EPCB9275_79	REV A
 <b>maxim integrated™</b>	
LAYER	LAYER 3 PWR
DATE:	ALL UNITS ARE IN 0.001"

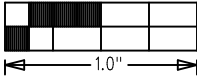
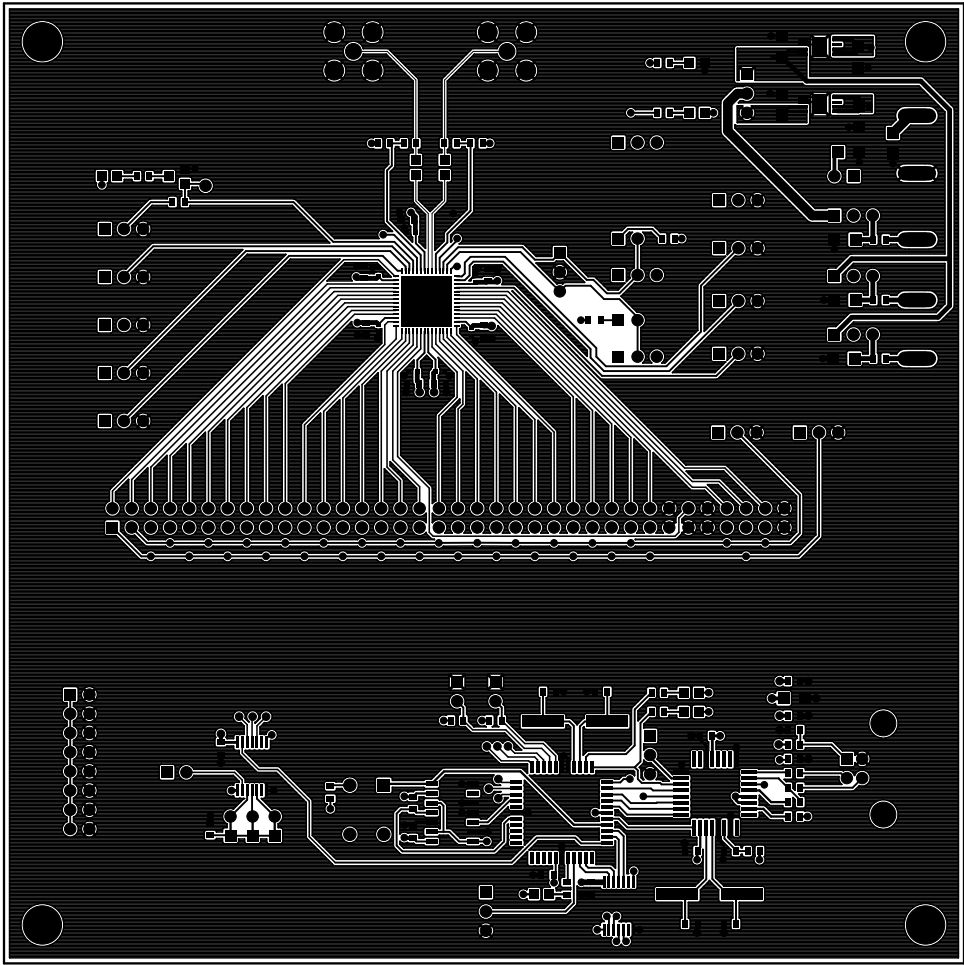


MAX9275/MAX9279 EVKIT	
P/N: EPCB9275_79	REV A
 <b>maxim integrated™</b>	
LAYER	SOLDER SIDE
DATE:	ALL UNITS ARE IN 0.001"





MAX9275/MAX9279 EVKIT	
P/N: EPCB9275_79	REV A
 <b>maxim integrated™</b>	
LAYER	COMPONENT SIDE
DATE:	ALL UNITS ARE IN 0.001"



## Данный компонент на территории Российской Федерации

### Вы можете приобрести в компании MosChip.

Для оперативного оформления запроса Вам необходимо перейти по данной ссылке:

<http://moschip.ru/get-element>

Вы можете разместить у нас заказ для любого Вашего проекта, будь то серийное производство или разработка единичного прибора.

В нашем ассортименте представлены ведущие мировые производители активных и пассивных электронных компонентов.

Нашей специализацией является поставка электронной компонентной базы двойного назначения, продукции таких производителей как XILINX, Intel (ex.ALTERA), Vicor, Microchip, Texas Instruments, Analog Devices, Mini-Circuits, Amphenol, Glenair.

Сотрудничество с глобальными дистрибьюторами электронных компонентов, предоставляет возможность заказывать и получать с международных складов практически любой перечень компонентов в оптимальные для Вас сроки.

На всех этапах разработки и производства наши партнеры могут получить квалифицированную поддержку опытных инженеров.

Система менеджмента качества компании отвечает требованиям в соответствии с ГОСТ Р ИСО 9001, ГОСТ РВ 0015-002 и ЭС РД 009

### Офис по работе с юридическими лицами:

105318, г.Москва, ул.Щербаковская д.3, офис 1107, 1118, ДЦ «Щербаковский»

Телефон: +7 495 668-12-70 (многоканальный)

Факс: +7 495 668-12-70 (доб.304)

E-mail: [info@moschip.ru](mailto:info@moschip.ru)

Skype отдела продаж:

moschip.ru

moschip.ru\_4

moschip.ru\_6

moschip.ru\_9