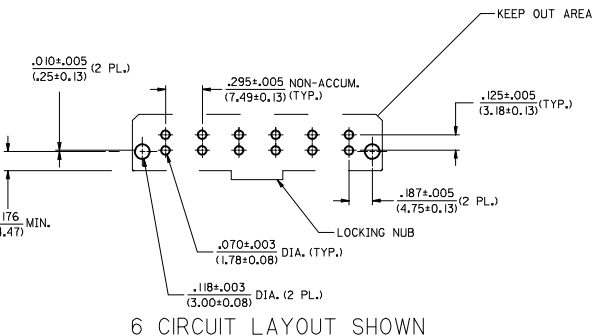


SEE SHEET 2 AND 3 FOR ITEM NUMBER CHART

RECOMMENDED P.C. BOARD LAYOUT FOR VERTICAL HEADERS

SCALE 2:1



6 CIRCUIT LAYOUT SHOWN

NOTES:

- INSULATOR MATERIAL (SEE CHART):
A = 30% GLASS FILLED 46 NYLON, 94V-0, COLOR: BLACK.
TERMINAL MATERIAL: BRASS
- TERMINAL FINISH: 60 MICRINCH (1.5 MICROMETER) MINIMUM TIN OVER 50 MICRINCH (1.25 MICROMETER) MINIMUM NICKEL.
- PRODUCT SPECIFICATION: PSX-44441-9999.
- PACKAGING: SEE CHART.
- THESE HEADERS MATE WITH 43179, 43335, OR 44441 RECEPTACLE HOUSINGS.
- SEE SHEETS 1, 2 AND 3, FOR VERTICAL HEADER ASSEMBLIES AND THEIR RESPECTIVE PART NUMBERS.
- SEE SHEETS 4, 5 AND 6, FOR RIGHT ANGLE HEADER ASSEMBLIES AND THEIR RESPECTIVE PART NUMBERS.
- DIMENSIONS ARE FOR REFERENCE ONLY, UNLESS INDICATED OTHERWISE.

SOLDER TAIL	DIM. "A" ±.020/(0,51)
SHORT	.150/(3,81)
LONG	.210/(5,33)

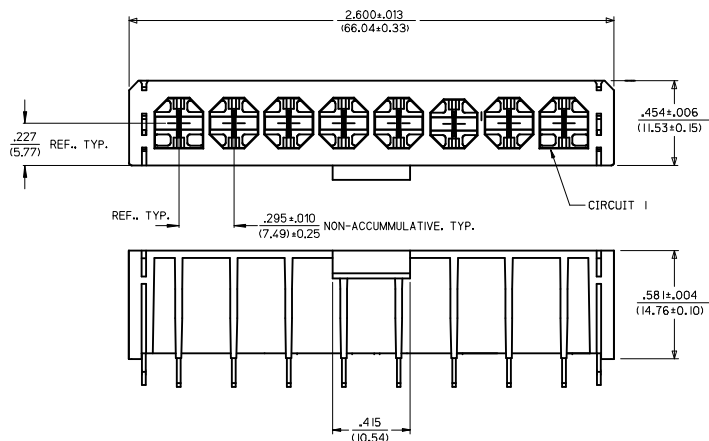
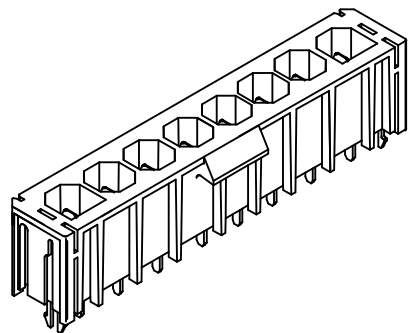
BOARD LOCK	DIM. "B" ±.004/(0,15)
.062	.070/(1,78)
.094	.102/(2,59)
.125	.133/(3,38)

ADD 43160-9001 W/VID EC NO: UCP2015-5276 DRAWN/MONTI 2015/06/12 CHYK/BANDERSON 2015/06/12 APPR/FSMTH 2015/06/15 REV DESCRIPTION	QUALITY SYMBOLS ▽=0 ▽=0 ▽=0	GENERAL TOLERANCES (UNLESS SPECIFIED) mm INCH 4 PLACES ±.005 ±.005 3 PLACES ±.01 ±.01 2 PLACES ±.013 ±.01 1 PLACE ±.025 ±.01 0 PLACE ±.05 ±.01 ANGULAR ±1/2° DRAFT WHERE APPLICABLE MUST REMAIN WITHIN DIMENSIONS	DIMENSION STYLE IN/MM SCALE 3:1 DESIGN UNITS INCH THIRD ANGLE PROJECTION	DRAWN BY DATE GC 11/30/195 CHECKED BY DATE KBP 11/30/195 APPROVED BY DATE FSMITH 2015/06/15	MATERIAL NO. SEE CHART DOCUMENT NO. SDA-43160-****	SHEET NO. 1 OF 6
	TITLE SABRE HEADER, ASSY RA & VERT, 2-6 & 8 CIR. .125/(3,18)X .020/(0,51)			molex		

6	J
5	J
4	J
3	J
2	J
1	J
SHT. REV.	

	20	19	18	17	16	15	14	13	12	11	10	9	8	7	6	5	4	3	2	1					
M	VERTICAL HEADER ASSEMBLY ITEM NO.	PART CHARACTERISTICS FOR VERTICAL HEADER				PACKAGING SPECIFICATIONS	VERTICAL HEADER ASSEMBLY ITEM NO.	PART CHARACTERISTICS FOR VERTICAL HEADER				PACKAGING SPECIFICATIONS	VERTICAL HEADER ASSEMBLY ITEM NO.	PART CHARACTERISTICS FOR VERTICAL HEADER				PACKAGING SPECIFICATIONS							
		CIRCUIT SIZE	HSG. MAT'L (SEE NOTE 1)	SOLDER TAIL	BOARD LOCK			CIRCUIT SIZE	HSG. MAT'L (SEE NOTE 1)	SOLDER TAIL	BOARD LOCK			CIRCUIT SIZE	HSG. MAT'L (SEE NOTE 1)	SOLDER TAIL	BOARD LOCK								
		43160-0102	2	A	SHORT			N/A	PK-43160-0010	43160-0104	4			A	SHORT	N/A	PK-43160-0010			43160-0106	6	A	SHORT	N/A	PK-43160-0010
		43160-0302	2	A	LONG			N/A	PK-43789-001	43160-0304	4			A	LONG	N/A	PK-43789-001			43160-0306	6	A	LONG	N/A	PK-43789-001
		43160-2102	2	A	SHORT			.062	PK-43789-001	43160-2104	4			A	SHORT	.062	PK-43789-001			43160-2106	6	A	SHORT	.062	PK-43789-001
	L	43160-4102	2	A	SHORT	.094	PK-43789-001	43160-4104	4	A	SHORT	.094	PK-43789-001	43160-4106	6	A	SHORT	.094		PK-43789-001					
		43160-4302	2	A	LONG	.094	PK-43789-001	43160-4304	4	A	LONG	.094	PK-43789-001	43160-4306	6	A	LONG	.094		PK-43789-001					
		43160-6302	2	A	LONG	.125	PK-43789-001	43160-6304	4	A	LONG	.125	PK-43789-001	43160-6306	6	A	LONG	.125		PK-43789-001					
		43160-0103	3	A	SHORT	N/A	PK-43160-0010	43160-0105	5	A	SHORT	N/A	PK-43160-0010												
		43160-0303	3	A	LONG	N/A	PK-43789-001	43160-0305	5	A	LONG	N/A	PK-43789-001												
K	43160-2103	3	A	SHORT	.062	PK-43789-001	43160-2105	5	A	SHORT	.062	PK-43789-001													
	43160-4103	3	A	SHORT	.094	PK-43789-001	43160-4105	5	A	SHORT	.094	PK-43789-001													
	43160-4303	3	A	LONG	.094	PK-43789-001	43160-4305	5	A	LONG	.094	PK-43789-001													
J	43160-6303	3	A	LONG	.125	PK-43789-001	43160-6305	5	A	LONG	.125	PK-43789-001													

SEE SHEET 1 IEC NO: UCP2015-5276 DRAWN: MONT CHECKED: BANDERSON APPR: FSMTH DATE: 2015/06/12 DATE: 2015/06/12 DATE: 2015/06/25	QUALITY SYMBOLS ▽=0 ▽=0 ▽=0	GENERAL TOLERANCES (UNLESS SPECIFIED)		DIMENSION STYLE IN/MM		SCALE 1:1	DESIGN UNITS INCH	THIRD ANGLE PROJECTION	
		mm INCH		DRAWN BY GC	DATE 11/30/195	TITLE SABRE HEADER, ASSY RA & VERT, 2-6 & 8 CIR. .125/(3.18)X .020/(0.51)			
		4 PLACES ±.005 3 PLACES ±.01 2 PLACES ±0.13 1 PLACE ±0.25 0 PLACE ±.---		CHECKED BY KBP	DATE 11/30/195	MATERIAL NO. SEE CHART			
		ANGULAR ±1/2° DRAFT WHERE APPLICABLE MUST REMAIN WITHIN DIMENSIONS		APPROVED BY FSMITH	DATE 2015/06/25	DOCUMENT NO. SDA-43160-****	SHEET NO. 2 OF 6		



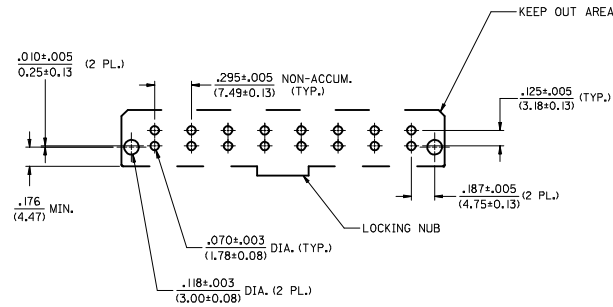
BOARD LOCK		DIM. "B" ±.004/(0, 10)	
.062		.070/(1.78)	
.094		.102/(2.59)	
.125		.133/(3.38)	

SOLDER TAIL		DIM. "A" ±.020/(0, 51)	
SHORT		.150/(3.81)	
LONG		.210/(5.33)	

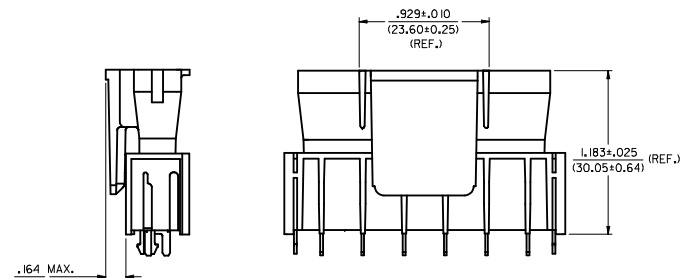
VERTICAL HEADER ASSEMBLY ITEM NO.	PART CHARACTERISTICS FOR VERTICAL HEADER				PACKAGING SPECIFICATIONS
	CIRCUIT SIZE	HSG. MAT'L (SEE NOTE 1)	SOLDER TAIL	BOARD LOCK	
43160-0108	8	A	SHORT	N/A	PK-43160-0010
43160-0308	8	A	LONG	N/A	PK-43789-001
43160-2108	8	A	SHORT	.062	PK-43789-001
43160-4108	8	A	SHORT	.094	PK-43789-001
43160-4308	8	A	LONG	.094	PK-43789-001
43160-6308	8	A	LONG	.125	PK-43789-001

RECOMMENDED P.C. BOARD LAYOUT FOR VERTICAL HEADERS

SCALE 2:1



- NOTES:
- INSULATOR MATERIAL (SEE CHART):
A = 30% GLASS FILLED 46 NYLON, 94V-0, COLOR: BLACK.
TERMINAL MATERIAL: BRASS
 - TERMINAL FINISH: 60 MICRONS (1.50 MICROMETER) MINIMUM TIN OVER.
50 MICRONS (1.25 MICROMETER) MINIMUM NICKEL.
 - PRODUCT SPECIFICATION: PSX-44441-9999.
 - PACKAGING: SEE CHART.
 - THESE HEADERS MATE WITH 43179, 43335, OR 44441 RECEPTACLE HOUSING.
 - SEE SHEETS 1, 2 AND 3, FOR VERTICAL HEADER ASSEMBLIES AND THEIR RESPECTIVE PART NUMBERS.
 - SEE SHEETS 4, 5 AND 6, FOR RIGHT ANGLE HEADER ASSEMBLIES AND THEIR RESPECTIVE PART NUMBERS.
 - DIMENSIONS ARE FOR REFERENCE ONLY, UNLESS INDICATED OTHERWISE.

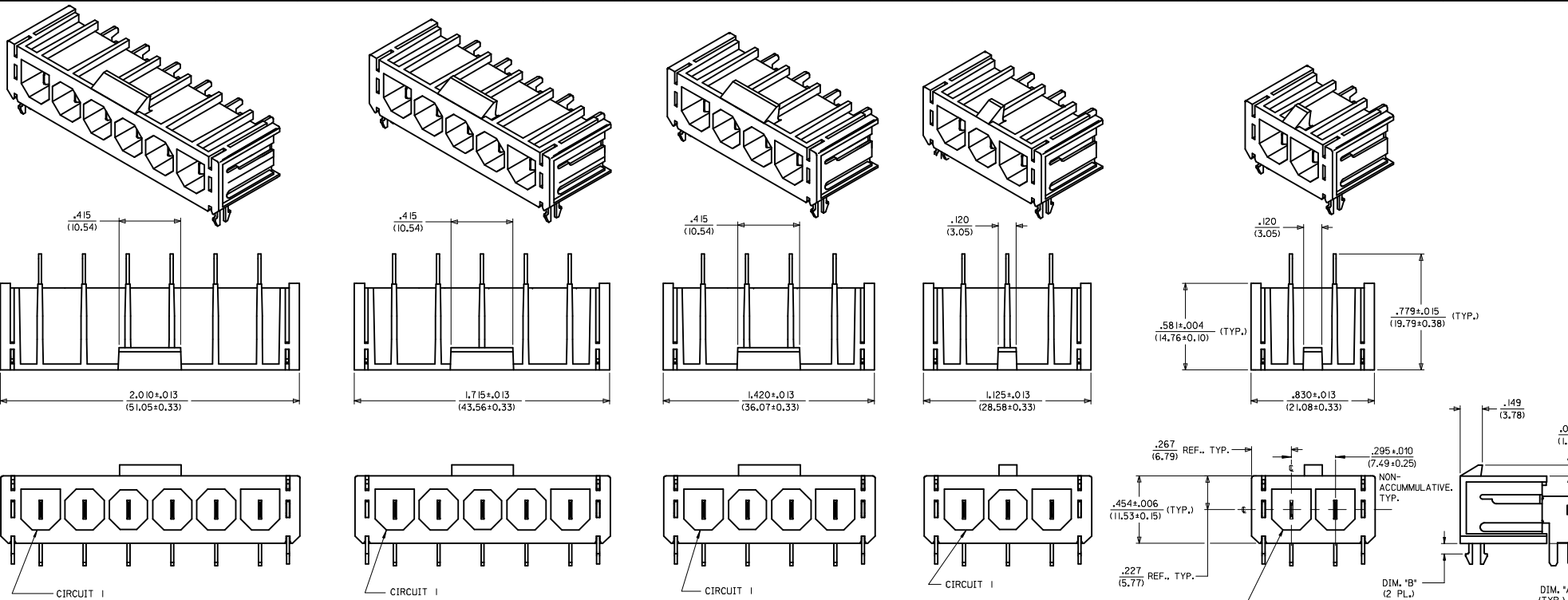


MATED SABRE CONNECTOR

NO SCALE

SEE SHEET 1 IEC NO. UCP2015-5276 DRAWN BY: CHYK/BANDERSON CHECKED BY: APPR:FSM/TH DATE: 2015/06/12 DATE: 2015/06/12	QUALITY SYMBOLS ∇=0 ∇=0 ∇=0	GENERAL TOLERANCES (UNLESS SPECIFIED) <table border="1"> <thead> <tr> <th></th> <th>mm</th> <th>INCH</th> </tr> </thead> <tbody> <tr> <td>4 PLACES</td> <td>±.005</td> <td>±.0005</td> </tr> <tr> <td>3 PLACES</td> <td>±.01</td> <td>±.001</td> </tr> <tr> <td>2 PLACES</td> <td>±0.13</td> <td>±.01</td> </tr> <tr> <td>1 PLACE</td> <td>±0.25</td> <td>±.01</td> </tr> <tr> <td>0 PLACE</td> <td>±.005</td> <td>±.0005</td> </tr> </tbody> </table>		mm	INCH	4 PLACES	±.005	±.0005	3 PLACES	±.01	±.001	2 PLACES	±0.13	±.01	1 PLACE	±0.25	±.01	0 PLACE	±.005	±.0005	DIMENSION STYLE IN/MM DRAWN BY: GC DATE: 11/30/95 CHECKED BY: KBP DATE: 11/30/95 APPROVED BY: FSMITH DATE: 2015/06/12	SCALE 3:1 DESIGN UNITS INCH THIRD ANGLE PROJECTION	TITLE SABRE HEADER, ASSY RA & VERT, 2-6 & 8 CIR. .125/(3.18)X .020/(0.51)
		mm	INCH																				
	4 PLACES	±.005	±.0005																				
	3 PLACES	±.01	±.001																				
2 PLACES	±0.13	±.01																					
1 PLACE	±0.25	±.01																					
0 PLACE	±.005	±.0005																					
MATERIAL NO. SEE CHART		DOCUMENT NO. SDA-43160-****		SHEET NO. 3 OF 6																			
THIS DRAWING CONTAINS INFORMATION THAT IS PROPRIETARY TO MOLEX INCORPORATED AND SHOULD NOT BE USED WITHOUT WRITTEN PERMISSION																							
SIZE D																							

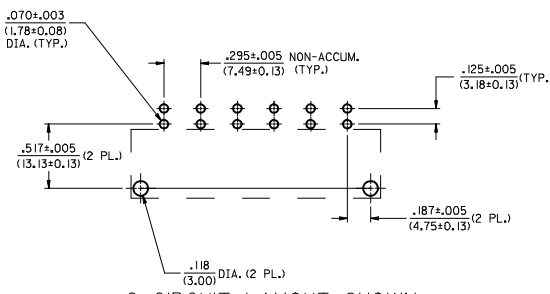
8 CIRCUIT LAYOUT SHOWN



SEE SHEET 5 AND 6 FOR ITEM NUMBER CHART

RECOMMENDED P.C. BOARD LAYOUT FOR RIGHT ANGLE HEADERS

SCALE 2:1



6 CIRCUIT LAYOUT SHOWN

- NOTES:**
- INSULATOR MATERIAL (SEE CHART):
A = 30% GLASS-FILLED 46 NYLON, 94V-0, COLOR: BLACK
TERMINAL MATERIAL: BRASS
 - TERMINAL FINISH: 60 MICRON (1.50 MICROMETER) MINIMUM TIN OVER
50 MICRON (1.25 MICROMETER) MINIMUM NICKEL.
 - PRODUCT SPECIFICATION: PSX-44441-9999.
 - PACKAGING: SEE CHART.
 - THESE HEADERS MATE WITH 43179, 43335, OR 44441 RECEPTACLE HOUSINGS.
 - SEE SHEETS 1, 2 AND 3 FOR VERTICAL HEADER ASSEMBLIES AND THEIR RESPECTIVE PART NUMBERS.
 - SEE SHEETS 4, 5 AND 6 FOR RIGHT ANGLE HEADER ASSEMBLIES AND THEIR RESPECTIVE PART NUMBERS.
 - DIMENSIONS ARE FOR REFERENCE ONLY UNLESS INDICATED OTHERWISE.

SOLDER TAIL	DIM. "A" ±.01/(0.28)
SHORT	.150/(3.81)
LONG	.210/(5.33)

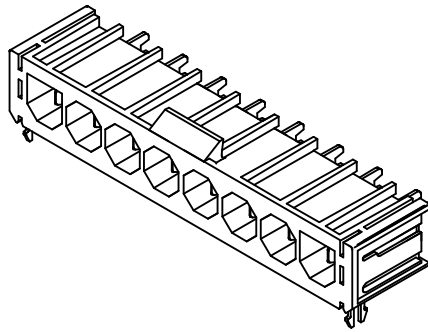
BOARD LOCK	DIM. "B" ±.004/(0.10)
.062	.070/(1.78)
.094	.102/(2.59)
.125	.133/(3.38)

SEE SHEET 1 IEC NO. UCP 2015-5276 DRAWN/MONT CHYK/BANDERSON 2015/06/12 APPROV/FSM TH 2015/06/25 REV DESCRIPTION	QUALITY SYMBOLS ▽=0 ▽=0 ▽=0	GENERAL TOLERANCES (UNLESS SPECIFIED) <table border="1"> <thead> <tr> <th></th> <th>mm</th> <th>INCH</th> </tr> </thead> <tbody> <tr> <td>4 PLACES</td> <td>±.005</td> <td>±.005</td> </tr> <tr> <td>3 PLACES</td> <td>±.01</td> <td>±.01</td> </tr> <tr> <td>2 PLACES</td> <td>±0.13</td> <td>±.01</td> </tr> <tr> <td>1 PLACE</td> <td>±0.25</td> <td>±.01</td> </tr> <tr> <td>0 PLACE</td> <td>±---</td> <td>±---</td> </tr> </tbody> </table> ANGULAR ±1/2° DRAFT WHERE APPLICABLE MUST REMAIN WITHIN DIMENSIONS		mm	INCH	4 PLACES	±.005	±.005	3 PLACES	±.01	±.01	2 PLACES	±0.13	±.01	1 PLACE	±0.25	±.01	0 PLACE	±---	±---	DIMENSION STYLE IN/MM DRAWN BY DATE GC 11/30/95 CHECKED BY DATE KBP 11/30/95 APPROVED BY DATE FSMITH 2015/06/25	SCALE 3:1 DESIGN UNITS INCH THIRD ANGLE PROJECTION	TITLE SABRE HEADER, ASSY RA & VERT, 2-6 & 8 CIR. .125/(3.18) X .020/(0.51)
		mm	INCH																				
	4 PLACES	±.005	±.005																				
	3 PLACES	±.01	±.01																				
2 PLACES	±0.13	±.01																					
1 PLACE	±0.25	±.01																					
0 PLACE	±---	±---																					
MATERIAL NO. SEE CHART	DOCUMENT NO. SDA-43160-****	SHEET NO. 4 OF 6	THIS DRAWING CONTAINS INFORMATION THAT IS PROPRIETARY TO MOLEX INCORPORATED AND SHOULD NOT BE USED WITHOUT WRITTEN PERMISSION																				

RT. ANGLE HEADER ASSEMBLY ITEM NO.	PART CHARACTERISTICS FOR RIGHT ANGLE HEADER				PACKAGING SPECIFICATIONS	RT. ANGLE HEADER ASSEMBLY ITEM NO.	PART CHARACTERISTICS FOR RIGHT ANGLE HEADER				PACKAGING SPECIFICATIONS	VOID CIRCUIT NUMBER(S)
	CIRCUIT SIZE	HSG. MAT'L (SEE NOTE 1)	SOLDER TAIL	BOARD LOCK			CIRCUIT SIZE	HSG. MAT'L (SEE NOTE 1)	SOLDER TAIL	BOARD LOCK		
43160-1102	2	A	SHORT	N/A	PK-43160-0010	43160-1104	4	A	SHORT	N/A	PK-43160-0010	-
43160-1302	2	A	LONG	N/A	PK-43789-001	43160-1304	4	A	LONG	N/A	PK-43789-001	-
43160-3102	2	A	SHORT	.062	PK-43789-001	43160-3104	4	A	SHORT	.062	PK-43789-001	-
43160-5102	2	A	SHORT	.094	PK-43789-001	43160-5104	4	A	SHORT	.094	PK-43789-001	-
43160-5302	2	A	LONG	.094	PK-43789-001	43160-5304	4	A	LONG	.094	PK-43789-001	-
43160-7302	2	A	LONG	.125	PK-43789-001	43160-7304	4	A	LONG	.125	PK-43789-001	-
43160-1103	3	A	SHORT	N/A	PK-43160-0010	43160-1105	5	A	SHORT	N/A	PK-43160-0010	-
43160-1303	3	A	LONG	N/A	PK-43789-001	43160-1305	5	A	LONG	N/A	PK-43789-001	-
43160-3103	3	A	SHORT	.062	PK-43789-001	43160-3105	5	A	SHORT	.062	PK-43789-001	-
43160-5103	3	A	SHORT	.094	PK-43789-001	43160-5105	5	A	SHORT	.094	PK-43789-001	-
43160-5303	3	A	LONG	.094	PK-43789-001	43160-5305	5	A	LONG	.094	PK-43789-001	-
43160-7303	3	A	LONG	.125	PK-43789-001	43160-7305	5	A	LONG	.125	PK-43789-001	-
						43160-9001	4	A	SHORT	.062	PK-43789-001	2

RT. ANGLE HEADER ASSEMBLY ITEM NO.	PART CHARACTERISTICS FOR RIGHT ANGLE HEADER				PACKAGING SPECIFICATIONS
	CIRCUIT SIZE	HSG. MAT'L (SEE NOTE 1)	SOLDER TAIL	BOARD LOCK	
43160-1106	6	A	SHORT	N/A	PK-43160-0010
43160-1306	6	A	LONG	N/A	PK-43789-001
43160-3106	6	A	SHORT	.062	PK-43789-001
43160-5106	6	A	SHORT	.094	PK-43789-001
43160-5306	6	A	LONG	.094	PK-43789-001
43160-7306	6	A	LONG	.125	PK-43789-001

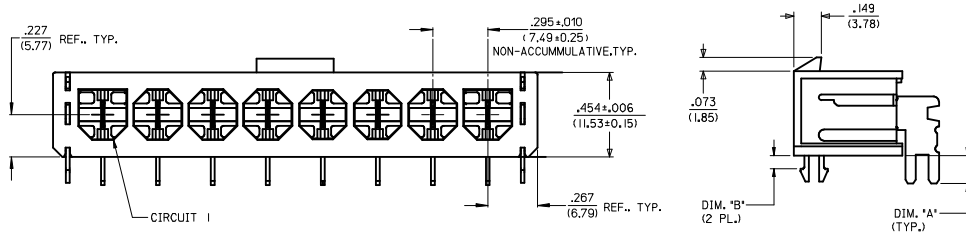
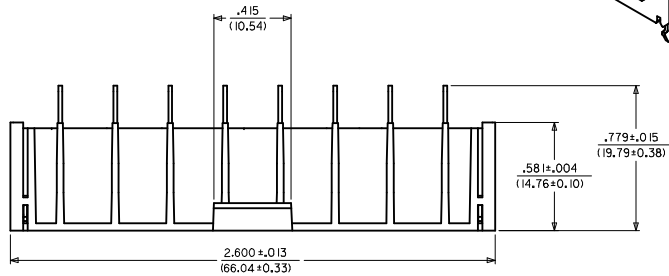
SEE SHEET 1 IEC NO: UCP2015-5276 DRAWN: MONTI 2015/06/12 CHECKED: BANDERSON 2015/06/12 APPR: FSMITH 2015/06/25	QUALITY SYMBOLS	GENERAL TOLERANCES (UNLESS SPECIFIED)	DIMENSION STYLE	SCALE	DESIGN UNITS	THIRD ANGLE PROJECTION
	▽=0	mm INCH	IN/MM	1:1	INCH	
	▽=0	4 PLACES ±.005	DRAWN BY DATE	GC 11/30/95	TITLE	SABRE HEADER, ASSY
	▽=0	3 PLACES ±.01	CHECKED BY DATE	KBP 11/30/95	RA & VERT, 2-6 & 8 CIR.	.125/(3.18)X .020/(0.51)
	ANGULAR ±1/2°	1 PLACE ±0.25	APPROVED BY DATE	FSMITH 2015/06/25		
	DRAFT WHERE APPLICABLE MUST REMAIN WITHIN DIMENSIONS	0 PLACE ±.005	MATERIAL NO.	SEE CHART	DOCUMENT NO.	SDA-43160-****
			SIZE	D	SHEET NO.	5 OF 6
			THIS DRAWING CONTAINS INFORMATION THAT IS PROPRIETARY TO MOLEX INCORPORATED AND SHOULD NOT BE USED WITHOUT WRITTEN PERMISSION			



BOARD LOCK	DIM. "B" ±.004/(0,10)
.062	.070/(1,78)
.094	.102/(2,59)
.125	.133/(3,38)

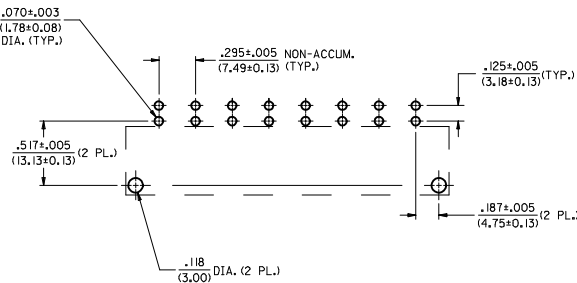
SOLDER TAIL	DIM. "A" ±.011/(0,28)
SHORT	.150/(3,81)
LONG	.210/(5,33)

RT. ANGLE HEADER ASSEMBLY ITEM NO.	PART CHARACTERISTICS FOR RIGHT ANGLE HEADER				PACKAGING SPECIFICATIONS
	CIRCUIT SIZE	HSG. MAT'L (SEE NOTE 1)	SOLDER TAIL	BOARD LOCK	
43160-1108	8	A	SHORT	N/A	PK-43160-0010
43160-1308	8	A	LONG	N/A	PK-43789-001
43160-3108	8	A	SHORT	.062	PK-43789-001
43160-5108	8	A	SHORT	.094	PK-43789-001
43160-5308	8	A	LONG	.094	PK-43789-001
43160-7308	8	A	LONG	.125	PK-43789-001



RECOMMENDED P.C. BOARD LAYOUT FOR RIGHT ANGLE HEADERS

SCALE 2:1



8 CIRCUIT LAYOUT SHOWN

NOTES:

- INSULATOR MATERIAL (SEE CHART):
A = 30% GLASS FILLED 46 NYLON, 94V-0, COLOR: BLACK.
- TERMINAL MATERIAL: BRASS
- TERMINAL FINISH: 60 MICRINCH (1.50 MICROMETER) MINIMUM TIN OVER 50 MICRINCH (1.25 MICROMETER) MINIMUM NICKEL.
- PRODUCT SPECIFICATION: PSX-44441-9999.
- PACKAGING: SEE CHART.
- THESE HEADERS MATE WITH 43179, 43335, OR 44441 RECEPTACLE HOUSINGS.
- SEE SHEETS 1, 2 AND 3, FOR VERTICAL HEADER ASSEMBLIES AND THEIR RESPECTIVE PART NUMBERS.
- SEE SHEETS 4, 5 AND 6, FOR RIGHT ANGLE HEADER ASSEMBLIES AND THEIR RESPECTIVE PART NUMBERS.
- DIMENSIONS ARE FOR REFERENCE ONLY, UNLESS INDICATED OTHERWISE.

SEE SHEET 1 IEC NO. UCP2015-5276 DRAWN: MONTI 2015/06/12 CHECKED: BANDERSON 2015/06/12 APPROVED: FSMITH 2015/06/25 REV. DESCRIPTION	QUALITY SYMBOLS ▽=0 ▽=0 ▽=0	GENERAL TOLERANCES (UNLESS SPECIFIED) <table border="1"> <thead> <tr> <th></th> <th>mm</th> <th>INCH</th> </tr> </thead> <tbody> <tr> <td>4 PLACES</td> <td>±.005</td> <td>±.0005</td> </tr> <tr> <td>3 PLACES</td> <td>±.013</td> <td>±.01</td> </tr> <tr> <td>2 PLACES</td> <td>±.025</td> <td>±.0025</td> </tr> <tr> <td>1 PLACE</td> <td>±.050</td> <td>±.0050</td> </tr> <tr> <td>0 PLACE</td> <td>±.100</td> <td>±.0100</td> </tr> </tbody> </table>		mm	INCH	4 PLACES	±.005	±.0005	3 PLACES	±.013	±.01	2 PLACES	±.025	±.0025	1 PLACE	±.050	±.0050	0 PLACE	±.100	±.0100	DIMENSION STYLE IN/MM SCALE 3:1 DESIGN UNITS INCH THIRD ANGLE PROJECTION	DRAWN BY GC DATE 11/30/95 CHECKED BY KBP DATE 11/30/95 APPROVED BY FSMITH DATE 2015/06/25	TITLE SABRE HEADER, ASSY RA & VERT, 2-6 & 8 CIR. .125/(3,18) X .020/(0,51) molex
		mm	INCH																				
4 PLACES	±.005	±.0005																					
3 PLACES	±.013	±.01																					
2 PLACES	±.025	±.0025																					
1 PLACE	±.050	±.0050																					
0 PLACE	±.100	±.0100																					
MATERIAL NO. SEE CHART	DOCUMENT NO. SDA-43160-****	SHEET NO. 6 OF 6																					

Данный компонент на территории Российской Федерации

Вы можете приобрести в компании MosChip.

Для оперативного оформления запроса Вам необходимо перейти по данной ссылке:

<http://moschip.ru/get-element>

Вы можете разместить у нас заказ для любого Вашего проекта, будь то серийное производство или разработка единичного прибора.

В нашем ассортименте представлены ведущие мировые производители активных и пассивных электронных компонентов.

Нашей специализацией является поставка электронной компонентной базы двойного назначения, продукции таких производителей как XILINX, Intel (ex.ALTERA), Vicor, Microchip, Texas Instruments, Analog Devices, Mini-Circuits, Amphenol, Glenair.

Сотрудничество с глобальными дистрибьюторами электронных компонентов, предоставляет возможность заказывать и получать с международных складов практически любой перечень компонентов в оптимальные для Вас сроки.

На всех этапах разработки и производства наши партнеры могут получить квалифицированную поддержку опытных инженеров.

Система менеджмента качества компании отвечает требованиям в соответствии с ГОСТ Р ИСО 9001, ГОСТ РВ 0015-002 и ЭС РД 009

Офис по работе с юридическими лицами:

105318, г.Москва, ул.Щербаковская д.3, офис 1107, 1118, ДЦ «Щербаковский»

Телефон: +7 495 668-12-70 (многоканальный)

Факс: +7 495 668-12-70 (доб.304)

E-mail: info@moschip.ru

Skype отдела продаж:

moschip.ru

moschip.ru_4

moschip.ru_6

moschip.ru_9