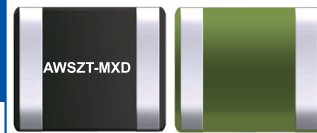


4.7 x 4.1 mm SMD CERAMIC RESONATOR

AWSZT-MXD

Pb in ceramic
(exempt per RoHS 2002/95/EC Annex (7))

RoHS
Compliant



4.7 x 4.1 mm

FEATURES:

- Low resonant impedance
- IR reflow capable
- Low cost

APPLICATIONS:

- Remote controls, Microprocessor clocks, Mobile phones, DVD & CD-Roms, Electric appliances, Industrial controllers
- Consumer electronics

ELECTRICAL CHARACTERISTICS:

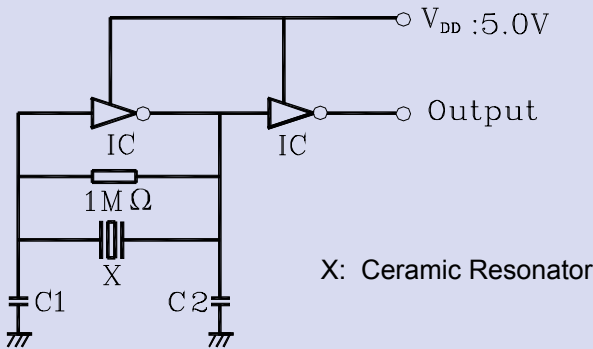
Item	Requirement
Oscillation Frequency	13.01MHz to 50.00MHz
Resonant Impedance	40 (Ω)
Frequency Tolerance	$\pm 0.5\%$
Frequency Stability (-25°C to +85°C)	$\pm 0.3\%$ max.*
Withstanding Voltage (V)	50 (DC , 1 min)
Rating Voltage	
(1) D.C. Voltage	6 V DC max
(2) A.C. Voltage	15 Vp-p max
Load Capacitance	See Table 2.1
Insulation Resistance	100M Ω min. (10V, 1min)
Operating Temperature	-20°C to + 85°C*
Storage Temperature	-55°C to +85°C
Aging Rate (Fosc)	$\pm 0.3\%$ max. (10 years)

Table 2.1

Frequency range (MHz)	Standard Load Capacitance C1=C2 (pF)
13.01 MHz - 20.00 MHz	30pF $\pm 20\%$
20.01 MHz - 25.99 MHz	15pF $\pm 20\%$
26.00 MHz - 50.00 MHz	5pF $\pm 20\%$

* Please contact ABRACON for tighter stability and/or wider temperature range

TEST CONDITION AND TEST CIRCUIT:



Parts shall be measured under a condition (Temp.: 20 \pm 15°C, Humidity: 65 \pm 20% R.H.) unless the standard condition (Temp: 25 \pm 3°C, Humidity: 65 \pm 10% R.H.) is regulated to measure

OPTIONS & PART IDENTIFICATION:

AWSZT - XX.XXMXD - □

Frequency

Frequency in MHz

Packaging

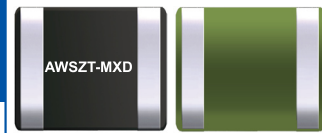
T for Tape and Reel

4.7 x 4.1mm SMD CERAMIC RESONATOR

AWSZT-MXD

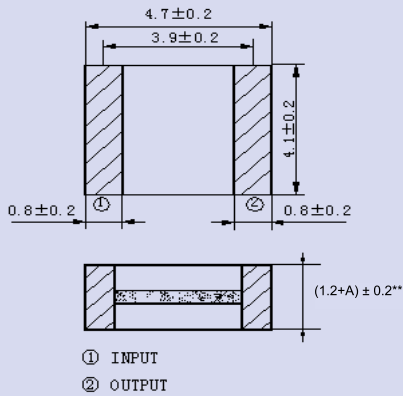
Pb in ceramic
(exempt per RoHS 2002/95/EC Annex (7))

**RoHS
Compliant**



4.7 x 4.1 mm

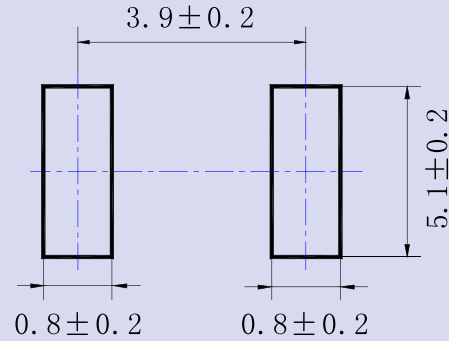
OUTLINE DRAWING:



① INPUT
② OUTPUT

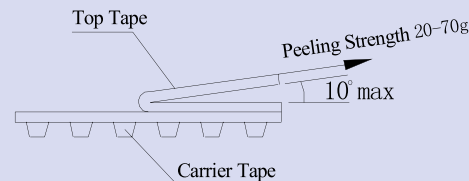
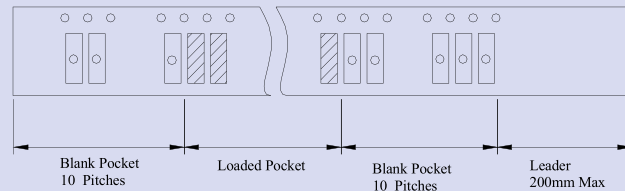
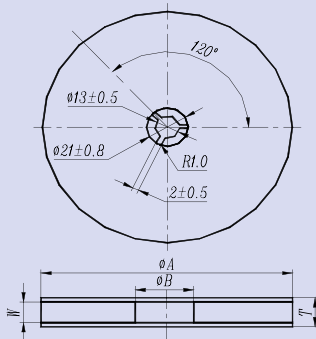
** A stands for the thickness of the ceramic element, which varies with the frequency

Recommended Land Pattern



Dimensions: mm

TAPE & REEL: (1,000pcs/reel)



Dimensions: mm

φ A	φ B	W	T	Pieces per reel	Carrier tape size
180 ± 3	60min	12.4min	19.4max	1000typ.	12

CAUTION

- Do not apply excess mechanical stress to the component body or terminations. Do not attempt to re-form or bend the components as this will cause damage to the component.
- This component is not hermetically sealed. Do not clean or wash the component.
- Reflow soldering: Do not use strong acidity flux, such as flux with chlorine content of greater than 0.2wt% during reflow Soldering.
- Do not expose the component to open flame.
- This specification applies to the functionality of the component as a single unit. Customers are advised to insure that the component is thoroughly evaluated in the particular application.
- Shelf life: The warranted shelf life of this product is six months after the delivery date under the conditions of sealed, unopened, original packaging.
- Storage conditions: If the product is to be stored for a period greater than six months after the delivery date, it is recommended that customers confirm the solderability and characteristics for the product prior to use.
- This product is not recommended for use in the following applications: Automotive, Medical, Military, Safety, or any other high-reliability, life-dependant application. Contact Abracon Corporation prior to using this product when in doubt.

ATTENTION: Abracon Corporation's products are COTS – Commercial-Off-The-Shelf products; suitable for Commercial, Industrial and, where designated, Automotive Applications. Abracon's products are not specifically designed for Military, Aviation, Aerospace, Life-dependant Medical applications or any application requiring high reliability where component failure could result in loss of life and/or property. For applications requiring high reliability and/or presenting an extreme operating environment, written consent and authorization from Abracon Corporation is required. Please contact Abracon Corporation for more information.

ABRACON IS
ISO9001:2008
CERTIFIED



Visit www.abracon.com for Terms & Conditions of Sale **Revised: 09.13.10**
30332 Esperanza, Rancho Santa Margarita, California 92688
tel 949-546-8000 | fax 949-546-8001 | www.abracon.com

Данный компонент на территории Российской Федерации

Вы можете приобрести в компании MosChip.

Для оперативного оформления запроса Вам необходимо перейти по данной ссылке:

<http://moschip.ru/get-element>

Вы можете разместить у нас заказ для любого Вашего проекта, будь то серийное производство или разработка единичного прибора.

В нашем ассортименте представлены ведущие мировые производители активных и пассивных электронных компонентов.

Нашей специализацией является поставка электронной компонентной базы двойного назначения, продукции таких производителей как XILINX, Intel (ex.ALTERA), Vicor, Microchip, Texas Instruments, Analog Devices, Mini-Circuits, Amphenol, Glenair.

Сотрудничество с глобальными дистрибьюторами электронных компонентов, предоставляет возможность заказывать и получать с международных складов практически любой перечень компонентов в оптимальные для Вас сроки.

На всех этапах разработки и производства наши партнеры могут получить квалифицированную поддержку опытных инженеров.

Система менеджмента качества компании отвечает требованиям в соответствии с ГОСТ Р ИСО 9001, ГОСТ РВ 0015-002 и ЭС РД 009

Офис по работе с юридическими лицами:

105318, г.Москва, ул.Щербаковская д.3, офис 1107, 1118, ДЦ «Щербаковский»

Телефон: +7 495 668-12-70 (многоканальный)

Факс: +7 495 668-12-70 (доб.304)

E-mail: info@moschip.ru

Skype отдела продаж:

moschip.ru

moschip.ru_4

moschip.ru_6

moschip.ru_9