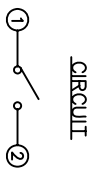
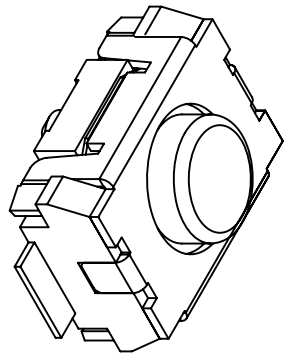
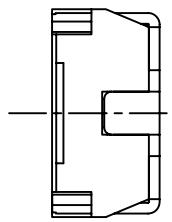
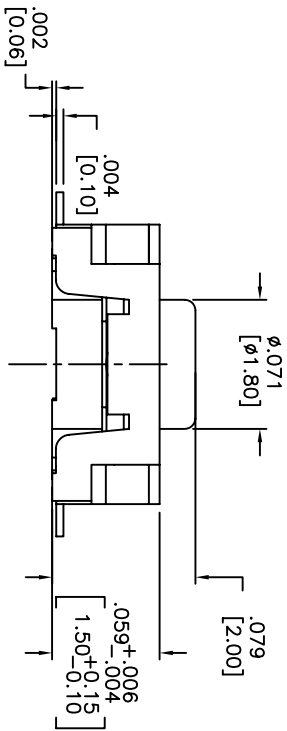
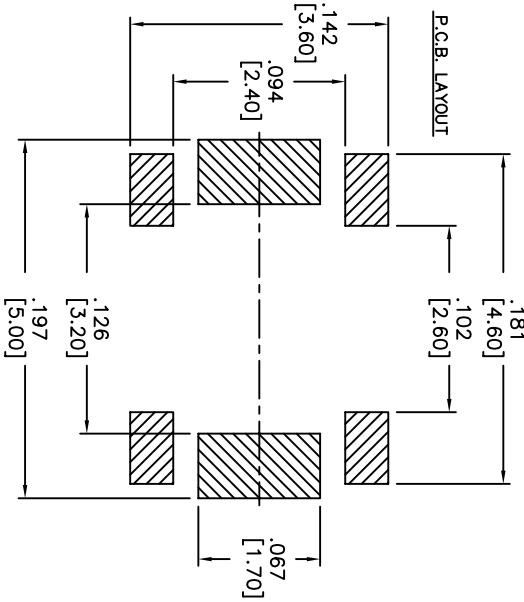
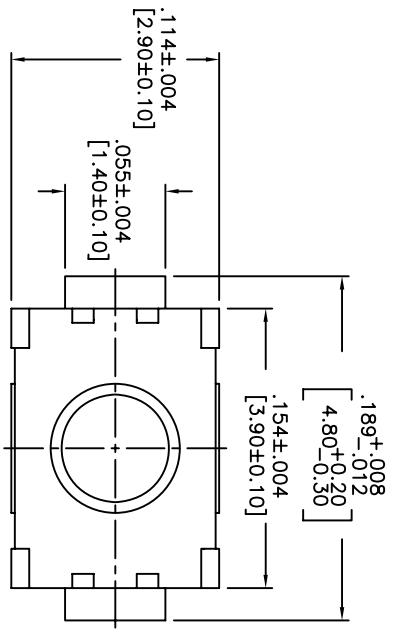




THIS DOCUMENT IS THE PROPERTY OF APEN COMPONENTS AND SHALL NOT BE COPIED, REPRODUCED, DISCLOSED OR USED AS THE BASIS FOR MANUFACTURING OR SALE WITHOUT PERMISSION OF A DULY AUTHORIZED REPRESENTATIVE OF APEN COMPONENTS INC.



DATE	SYM	REVISION RECORD	DWN.	CK.
5/08	B	ECO# 778	CD	PD

DESCRIPTION: VERTICAL PUSH MECHANICAL CONTACT SWITCH.  
 SPECIFICATIONS:  
 OPERATION FORCE: 160±50gf  
 OPERATION TEMP.: -25°C TO +70°C.  
 STORAGE TEMP.: -30°C TO +80°C.  
 ELECTRICAL LIFE: 100,000 CYCLES.  
 RATING: 50ma, 12VDC.  
 VIBRATION RESISTANCE: PASSES METHOD 201A MIL-STD-202F  
 MIL-STD-202F SHOCK RESISTANCE: 50G PER METHOD 213B MIL-STD-202F  
 CONTACT RESISTANCE: 100mΩ MAX.  
 INSULATION RESISTANCE: 100MΩ MIN. AT 100VDC.  
 DIELECTRIC STRENGTH: 100VAC/1 MINUTE.  
 CONTACT ARRANGEMENT: 1 POLE 1 THROW.  
 MATERIALS:  
 COVER: STAINLESS STEEL  
 BASE: LCP HIGH-TEMP. THERMOPLASTIC.  
 COLOR, WHITE.  
 STEM: LCP HIGH-TEMP. THERMOPLASTIC.  
 COLOR, BLACK  
 CONTACT DISK: STAINLESS STEEL WITH SILVER CLADDING  
 TERMINAL: BRASS WITH SILVER PLATING  
 TAPE: TEFLON.  
 TAPE & REEL PACKAGING, 2,000 PER REEL  
 SOLDERING:  
 HAND SOLDERING: 30 WATT IRON AT 320°C FOR 2 SECONDS  
 IR REFLOW: 240°C MAX  
 ROHS COMPLIANT

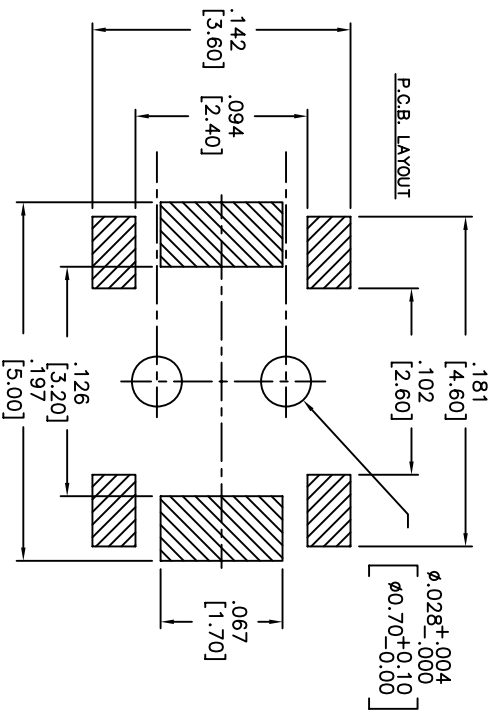
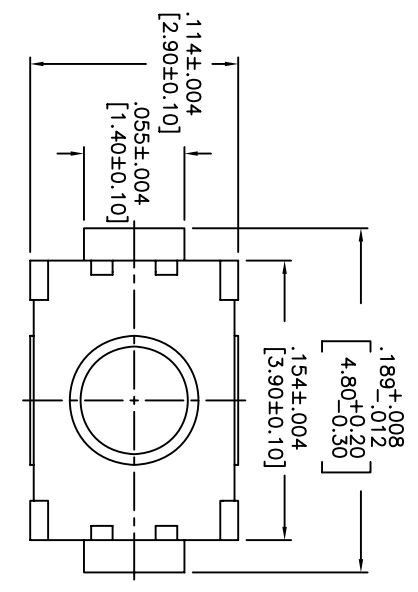
DESIGNER'S INITIAL	63 Neck Rd. Haverhill, MA 01830 APEN COMPONENTS INC. Phone: 978-372-5554	DRN. CJD
TOLERANCES (UNLESS OTHERWISE SPECIFIED)		OR. PJD
.XX = ±.02(0.5)		THIRD ANGLE PROJECTION
.XXX = ±.008(0.20)		
.XXXX = ±.0008(0.02)		
ANGLE = 30.5°		
DO NOT SCALE		
DATE: 2/4/08	DRAWING NO. AMPPTFGP2VTR	REV. B

1 2 3 4 5 6 7 8



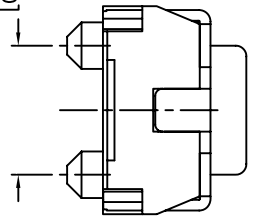
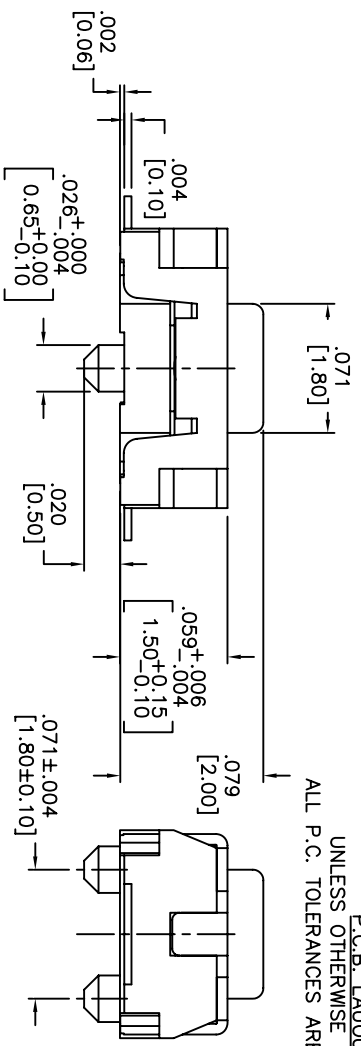


THIS DOCUMENT IS THE PROPERTY OF APDM COMPONENTS AND SHALL NOT BE COPIED, REPRODUCED, DISCLOSED OR USED AS THE BASIS FOR MANUFACTURING OR SALE WITHOUT PERMISSION OF A DULY AUTHORIZED REPRESENTATIVE OF APDM COMPONENTS INC.

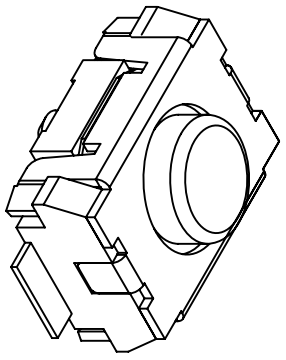


HATCHED AREA SHOWS SOLDERING LAND

P.C.B. LAYOUT  
UNLESS OTHERWISE SPECIFIED  
ALL P.C. TOLERANCES ARE ±.002 [0.50]



CIRCUIT



DATE	SYM	REVISION RECORD	DWN.	CK.
5/08	B	ECO# 778	CD	PD

DESCRIPTION: VERTICAL PUSH MECHANICAL CONTACT SWITCH.

SPECIFICATIONS:

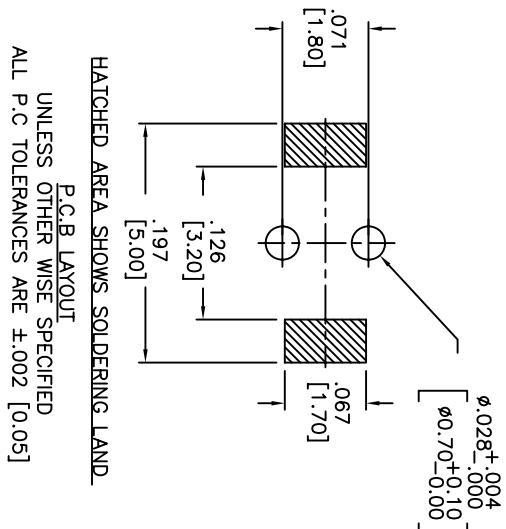
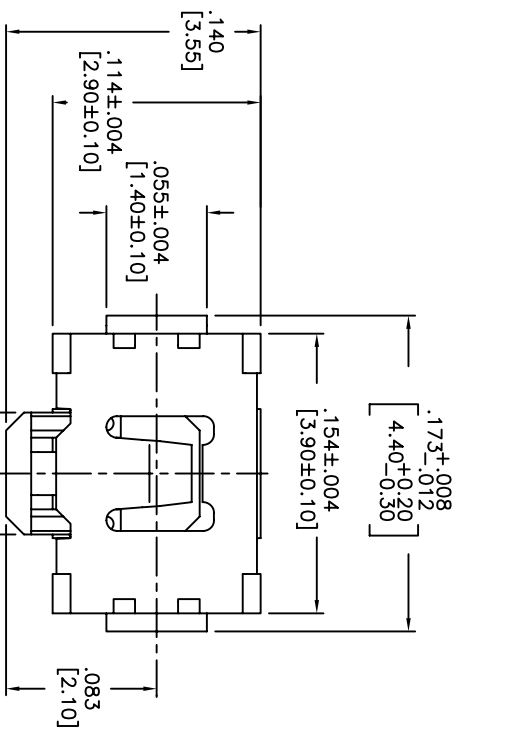
OPERATION FORCE: 160± 50gf  
 OPERATION TEMP.: -25°C TO +70°C.  
 STORAGE TEMP.: -30°C TO +80°C.  
 ELECTRICAL LIFE: 200,000 CYCLES.  
 RATING: 50ma, 12VDC.  
 VIBRATION RESISTANCE: PASSES METHOD 201A  
 MIL-STD-202F  
 SHOCK RESISTANCE: 50G PER METHOD 213B  
 MIL-STD-202F  
 CONTACT RESISTANCE: 100mΩ MAX.  
 INSULATION RESISTANCE: 100MΩ MIN. AT 100VDC.  
 DIELECTRIC STRENGTH: 100VAC/1 MINUTE.  
 CONTACT ARRANGEMENT: 1 POLE 1 THROW.  
 TRAVEL: .005 +.002 [0.13 +0.05]

MATERIALS:

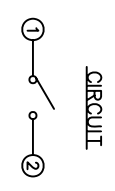
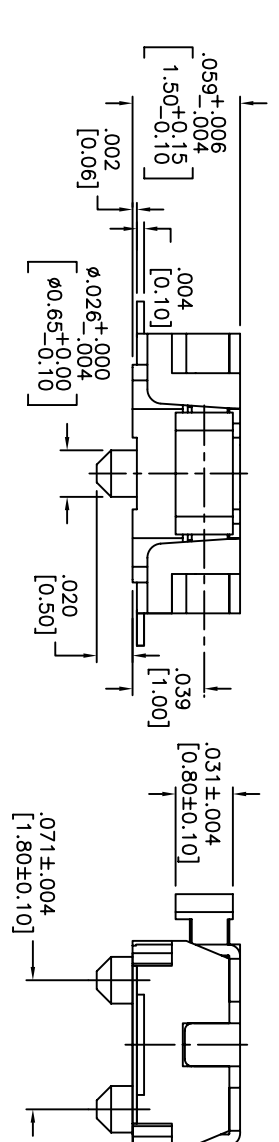
COVER: STAINLESS STEEL  
 BASE: LCP HIGH-TEMP. THERMOPLASTIC.  
 COLOR, WHITE.  
 STEM: LCP HIGH-TEMP. THERMOPLASTIC.  
 COLOR, BLACK.  
 CONTACT DISK: STAINLESS STEEL WITH SILVER CLADDING  
 TERMINAL: BRASS WITH SILVER PLATING  
 TAPE: TEFLON.  
 TAPE & REEL PACKAGING: 2,000 PER REEL  
 SOLDERING:  
 HAND SOLDERING: 30 WATT IRON AT 320°C FOR 2 SECONDS  
 IR REFLOW: 240°C MAX  
 ROHS COMPLIANT

Q.A. INSPECT:	DESIGNER'S INITIAL:	APDM	63 Neck Rd. Haverhill, MA 01830 Phone: 978-372-5554 Fax: 978-372-5554	DRN. CJD
TOLERANCES (UNLESS OTHERWISE SPECIFIED)	INCH (MM)	SHEET 1 OF 1	SIZE B	SCALE 15:1
.XX±.XX [0.5]				THIRD ANGLE PROJECTION
.XXX±.XXX [0.20]				
.XXXX±.XXXX [0.02]				
ANGLE = 30.5°				
DO NOT SCALE	DATE: 6/30/05	DRAWING NO. AMPTCFGP2VTR		REV B

THIS DOCUMENT IS THE PROPERTY OF APEM COMPONENTS AND SHALL NOT BE COPIED, REPRODUCED, DISCLOSED OR SALE WITHOUT PERMISSION OF A DULY AUTHORIZED REPRESENTATIVE OF APEM COMPONENTS INC.



HATCHED AREA SHOWS SOLDERING LAND  
 P.C.B. LAYOUT  
 UNLESS OTHER WISE SPECIFIED  
 ALL P.C. TOLERANCES ARE ±.002 [0.05]



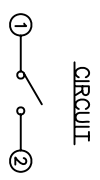
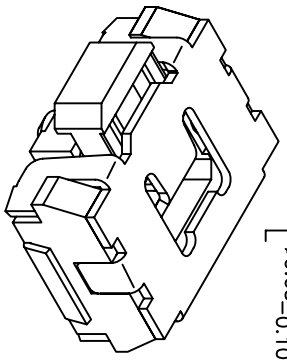
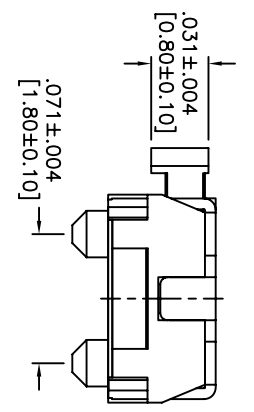
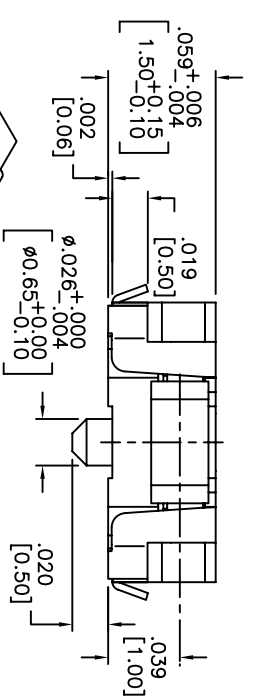
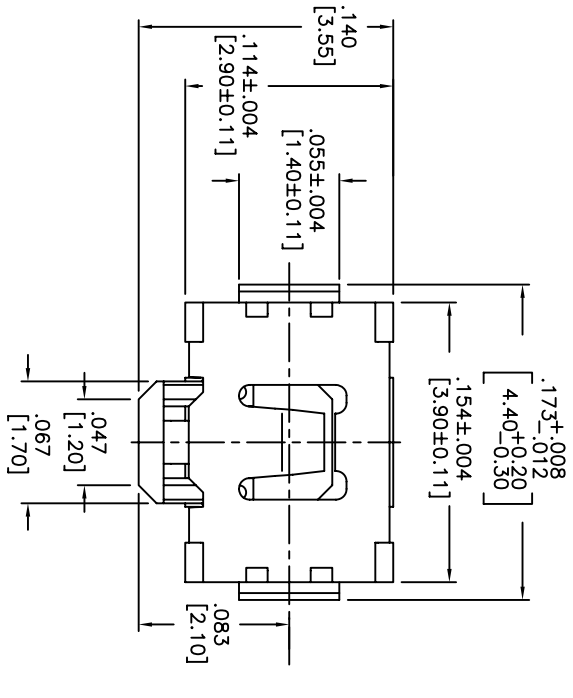
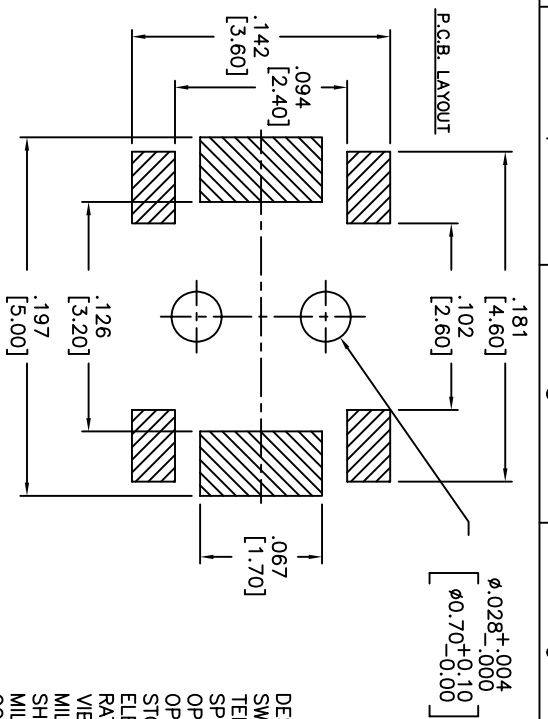
DESCRIPTION: SIDE PUSH MECHANICAL CONTACT SWITCH.  
 SPECIFICATIONS:  
 OPERATION FORCE: 220± 65gf  
 STROKE: 0.2±0.10mm  
 OPERATION TEMP.: -25°C TO +70°C.  
 STORAGE TEMP.: -30°C TO +80°C.  
 ELECTRICAL LIFE: 100,000 CYCLES.  
 RATING: 50mA, 12VDC.  
 CONTACT RESISTANCE: 100mΩ MAX.  
 INSULATION RESISTANCE: 100MΩ MIN. AT 100VDC.  
 DIELECTRIC STRENGTH: 100VAC/1 MINUTE.  
 CONTACT ARRANGEMENT: 1 POLE 1 THROW.  
 VIBRATION TEST: PASSED METHOD 201A  
 MIL-STD-202F.  
 SHOCK TEST: 50G PER METHOD 213B CONDITION A OF MIL-STD-202F  
 MATERIALS:  
 COVER: STAINLESS STEEL  
 BASE: LCP HIGH-TEMP. THERMOPLASTIC.  
 COLOR, WHITE.  
 STEM: LCP HIGH-TEMP. THERMOPLASTIC.  
 COLOR, BLACK.  
 CONTACT DISK: STAINLESS STEEL  
 WITH SILVER CLADDING  
 TERMINAL: BRASS WITH SILVER PLATING  
 PACKAGING: TAPE AND REEL  
 (3,500 PEICES PER REEL)  
 ROHS COMPLIANT  
 LEAD FREE SOLDERING COMPATIBLE  
 HAND SOLDERING: 320°C MAX WITH 30 WATT IRON  
 FOR 2 SECONDS  
 IR REFLOW: 260°C MAX

DATE	SYM	REVISION RECORD	DWN.	CK.
5/08	B	ECO# 778	CD	PD

<b>Q.A. INSPECT:</b> 		<b>DESIGNER'S INITIAL:</b> DIMENSION		<b>DRN.</b> CJD <b>BR.</b>	
<b>TOLERANCES</b> (UNLESS AS NOTED) .XX±.XX[0.5] .XXX±.XXX[0.20] .XXXX±.XXXX[0.02] ANGLE = 30.5°		 <b>APEM</b> APEM COMPONENTS, INC. 63 Neck Rd. Hawthorne, NJ 07835 Phone: 973-772-5554 Fax: 973-772-5554		<b>OR.</b> PJD <b>THIRD ANGLE PROJECTION</b>	
<b>TITLE</b> TACT SWITCH		<b>SHEET</b> 1 OF 1 <b>SIZE</b> B <b>SCALE</b> 15:1		<b>DRAWING NO.</b> AMPTCFVTR	
<b>DATE</b> 5/2/06		<b>DO NOT SCALE</b>		<b>REV</b> B	

THIS DOCUMENT IS THE PROPERTY OF APDM COMPONENTS AND SHALL NOT BE COPIED, REPRODUCED, DISCLOSED OR USED AS THE BASIS FOR MANUFACTURING OR SALE WITHOUT PERMISSION OF A DULY AUTHORIZED REPRESENTATIVE OF APDM COMPONENTS INC.

DATE	SYM	REVISION RECORD	DWNL	CK
1/06	B	ECO# 526	CD	PD
5/08	C	ECO# 778	CD	PD



DESCRIPTION: SIDE PUSH MECHANICAL CONTACT SWITCH, WITH BENDING AND GROUNDING TERMINALS.

SPECIFICATIONS:

OPERATION FORCE: 220± 65gf

OPERATION TEMP.: -25°C TO +70°C.

STORAGE TEMP.: -30°C TO +80°C.

ELECTRICAL LIFE: 100,000 CYCLES.

RATING: 50mA, 12VDC.

VIBRATION RESISTANCE: PASSES METHOD 201A MIL-STD-202F

SHOCK RESISTANCE: 50G PER METHOD 213B MIL-STD-202F

CONTACT RESISTANCE: 100MΩ MAX.

INSULATION RESISTANCE: 100MΩ MIN. AT 100VDC.

DIELECTRIC STRENGTH: 100VAC/1 MINUTE.

CONTACT ARRANGEMENT: 1 POLE 1 THROW.

STROKE: .008 ±.002 [0.2 ±0.05]

MATERIALS:

COVER: STAINLESS STEEL

BASE: LCP HIGH-TEMP. THERMOPLASTIC. COLOR: WHITE.

STEM: LCP HIGH-TEMP. THERMOPLASTIC. COLOR: BLACK.

CONTACT DISK: STAINLESS STEEL WITH SILVER CLADDING

TERMINAL: BRASS WITH SILVER PLATING

TAPE: TEFLON.

TAPE & REEL PACKAGING, 3500 PER REEL

HAND SOLDERING: 30 WATT IRON AT 320°C FOR 2 SECONDS

IR REFLOW: 240°C MAX

ROHS COMPLIANT

DESIGNER'S INITIAL	DATE	NO. OF SHEETS	SCALE	DRAWING NO.	REV.
APDM	06/30/05	1 OF 1	15:1	AMPTCLGVTR	C
DESIGNER'S NAME	SHEET		SIZE	THIRD ANGLE PROJECTION	
(CHECK AS NEEDED)	1 OF 1		B	P/D	
.X00±.02[0.5]	SIZE		15:1	P/D	
.X00±.008[0.20]	SCALE		15:1	P/D	
.X000±.0008[0.02]	SCALE		15:1	P/D	
ANGLE = 30.5°	SCALE		15:1	P/D	

Q.A. INSPECT: [Symbol]

DESIGNER'S NAME: [Symbol]

DATE: 06/30/05

NO. OF SHEETS: 1 OF 1

SCALE: 15:1

DRAWING NO.: AMPTCLGVTR

REV.: C

THIRD ANGLE PROJECTION

APDM

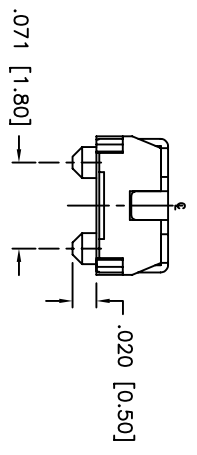
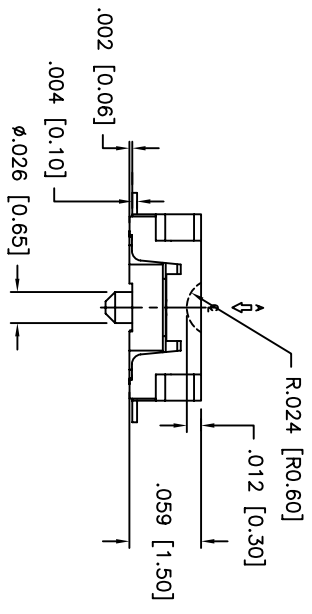
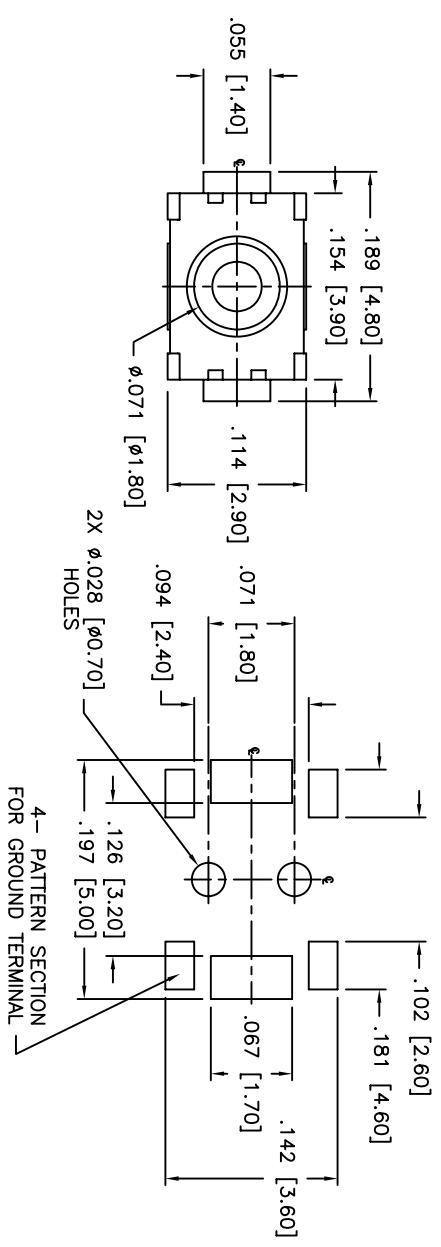
63 Neck Rd. 01835  
 Holliston, MA  
 Tel: 508-372-5554  
 Fax: 508-372-5554

BRN. CJD  
 BR. PJD

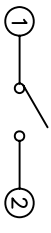
TITLE: TACT SWITCH

APDM COMPONENTS INC.

THIS DOCUMENT IS THE PROPERTY OF APDM COMPONENTS AND SHALL NOT BE COPIED, REPRODUCED, DISCLOSED OR USED AS THE BASIS FOR MANUFACTURING OR SALE WITHOUT PERMISSION OF A DULY AUTHORIZED REPRESENTATIVE OF APDM COMPONENTS INC.



UNLESS OTHERWISE SPECIFIED  
P.C. TOLERANCES ARE  $\pm .002 [0.05]$



SCHEMATIC

DATE	SYM	REVISION RECORD	DWN.	CK.
1/06	A	ECO # 526	CD	PD
5/08	B	ECO# 778	CD	PD

DESCRIPTION: SPST, NORMALLY OPEN, MOMENTARY, SURFACE MOUNT TACT SWITCH WITH LOCATING PINS

SPECIFICATIONS:  
CONTACT RATING: 50mA @ 12VDC  
INITIAL CONTACT RESISTANCE: 100MOHMS MAX.  
INSULATION RESISTANCE: 100MOHMS MIN. @ 500VDC  
DIELECTRIC STRENGTH: 100VAC FOR 1 MINUTE  
ELECTRICAL LIFE: 200,000 CYCLES MIN.  
OPERATING TEMPERATURE RANGE: -25°C to +70°C  
STOP STRENGTH: MAX 3kgf VERTICAL STATIC LOAD  
CONT. FOR 15 SEC.

ACTUATION FORCE: 160± 50gf  
STORAGE TEMPERATURE RANGE: -30°C TO +80°C  
SHOCK RESISTANCE: 50G PER METHOD 213B, MIL-STD-202F  
VIBRATION RESISTANCE: PASSES METHOD 201A, MIL-STD-202F  
SOLDERING:  
IR REFLOW: 240°C MAX.  
HAND SOLDERING: 350°C MAX. FOR 3 SECONDS MAX.  
(30 WATT IRON MAX.)

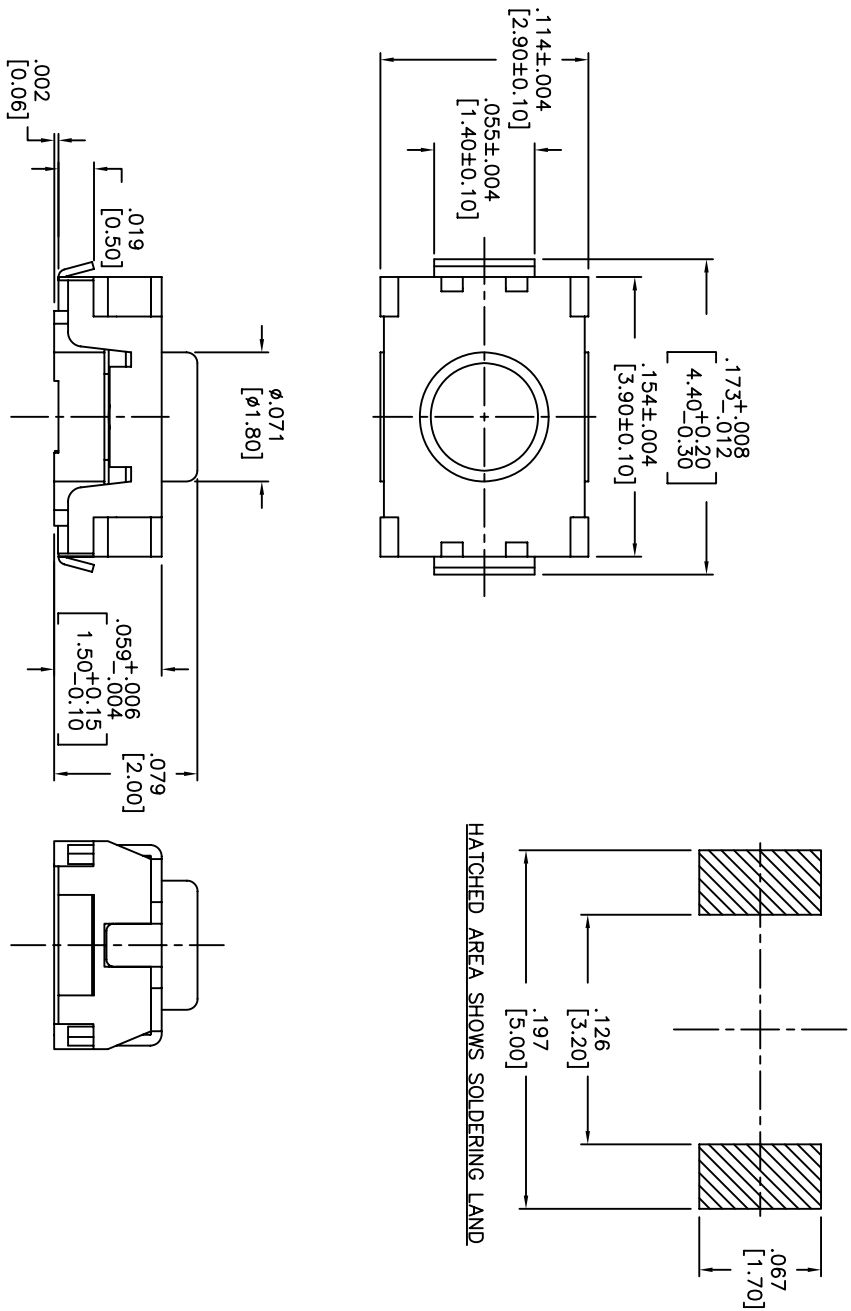
MATERIALS:  
BASE: LCP HIGH-TEMP THERMOPLASTIC UL94V-0  
ACTUATOR: LCP HIGH-TEMP THERMOPLASTIC UL94V-0  
COVER: STAINLESS STEEL  
TERMINALS: SILVER PLATED BRASS  
SHORTING CONTACT: STAINLESS STEEL WITH SILVER CLADDING  
TAPE: TEFLON  
ROHS COMPLIANT

NOTE:  
1. AFTER SOLDERING, RETURN SWITCHES TO NORMAL TEMPERATURE BEFORE WASHING.

DESIGNER'S INITIAL	APDM	63 Neck Rd. Haverhill, MA 01830 Tel: 978-372-3554 Fax: 978-372-3554	DRN. CJD
TOLERANCES (UNLESS AS NOTED) .XX=±.02[0.5] .XXX=±.008[0.20] .XXXX=±.0008[0.02] ANGLE = 40.5°	SHEET 1 OF 1	SIZE B	SCALE 10:1
TITLE TACT SWITCH WITH LOCATING PINS	DATE 07/20/05	DRAWING NO. AMPTCFG1VTR	REV B

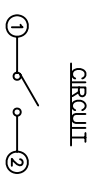
THIS DOCUMENT IS THE PROPERTY OF APDM COMPONENTS AND SHALL NOT BE COPIED, REPRODUCED, DISCLOSED OR USED AS THE BASIS FOR MANUFACTURING OR SALE WITHOUT PERMISSION OF A DULY AUTHORIZED REPRESENTATIVE OF APDM COMPONENTS INC.

P.C.B. LAYOUT



DATE	SYM	REVISION RECORD	DWN.	CK.
1/06	A	ECO# 526	CD	PD
5/08	B	ECO# 778	CD	PD

DESCRIPTION: VERTICAL PUSH MECHANICAL CONTACT SWITCH.  
 SPECIFICATIONS:  
 OPERATION FORCE: 220± 65gf  
 OPERATION TEMP.: -25°C TO +70°C.  
 STORAGE TEMP.: -30°C TO +80°C.  
 ELECTRICAL LIFE: 200,000 CYCLES.  
 RATING: 50mA, 12VDC.  
 VIBRATION RESISTANCE: PASSES METHOD 201A  
 MIL-STD-202F  
 SHOCK RESISTANCE: 50G PER METHOD 213B  
 MIL-STD-202F  
 CONTACT RESISTANCE: 100mΩ MAX.  
 INSULATION RESISTANCE: 100MΩ MIN. AT 100VDC.  
 DIELECTRIC STRENGTH: 100VAC/1 MINUTE.  
 CONTACT ARRANGEMENT: 1 POLE 1 THROW.  
 MATERIALS:  
 COVER: STAINLESS STEEL  
 BASE: LCP HIGH-TEMP. THERMOPLASTIC.  
 COLOR, WHITE.  
 STEM: LCP HIGH-TEMP. THERMOPLASTIC.  
 COLOR, BLACK.  
 CONTACT DISK: STAINLESS STEEL WITH SILVER CLADDING  
 TERMINAL: BRASS WITH SILVER PLATING  
 TAPE & REEL PACKAGING, 2,000 PER REEL  
 SOLDERING:  
 HAND SOLDERING: 30 WATT IRON AT 320°C FOR 2 SECONDS  
 IR REFLOW: 240°C MAX  
 ROHS COMPLIANT  
 LEAD FREE PROCESS COMPATIBLE

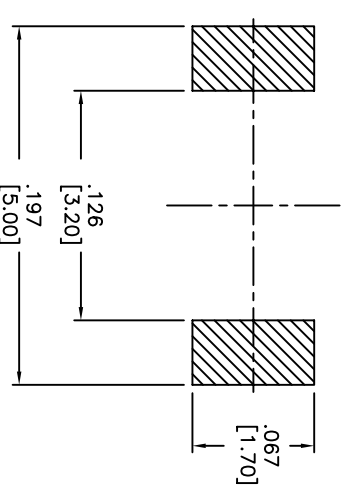
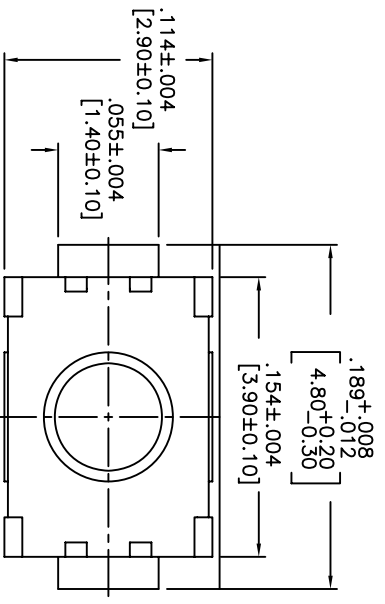


<b>Q.A. INSPECT:</b> DESIGNER'S INITIAL DIMENSION TOLERANCES (CHECK AS NOTED) .XX±.X[X](0.X) .XXX±.X.XXX(0.XX) ANGLE = 30.5°		<b>APDM</b> 63 Neck Rd. Hendersonville, NC 27535 Phone: 704-372-3534 Fax: 704-372-3534		DRN. CJD BR. BR. OR. PJD THIRD ANGLE PROJECTION	
DO NOT SCALE DRAWING NO. AMPTLP2VTR	DATE: 01/23/06	SHEET 1 OF 1	SIZE B	SCALE 15:1	REV B
TITLE: TACT SWITCH					

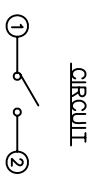
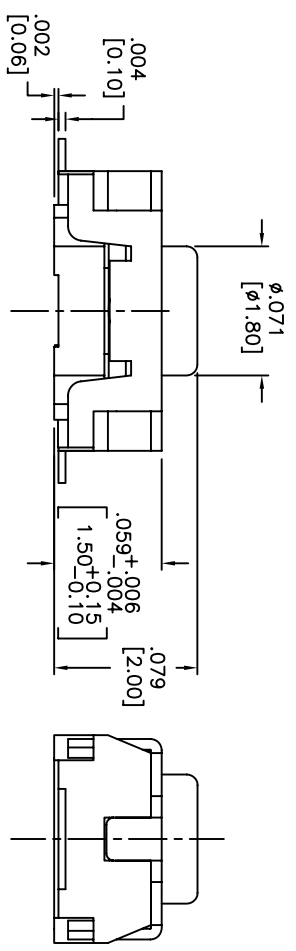
1 2 3 4 5 6 7 8

THIS DOCUMENT IS THE PROPERTY OF APDM COMPONENTS AND SHALL NOT BE COPIED, REPRODUCED, DISCLOSED OR SALE WITHOUT PERMISSION OF A DULY AUTHORIZED REPRESENTATIVE OF APDM COMPONENTS INC.

P.C.B. LAYOUT



HATCHED AREA SHOWS SOLDERING LAND



CIRCUIT

DESCRIPTION: VERTICAL PUSH MECHANICAL CONTACT SWITCH.  
 SPECIFICATIONS:  
 OPERATION FORCE: 160± 50gf  
 OPERATION TEMP.: -25°C TO +70°C.  
 STORAGE TEMP.: -30°C TO +80°C.  
 ELECTRICAL LIFE: 200,000 CYCLES.  
 RATING: 50mA, 12VDC.  
 VIBRATION RESISTANCE: PASSES METHOD 201A  
 MIL-STD-202F  
 SHOCK RESISTANCE: 50G PER METHOD 213B  
 MIL-STD-202F  
 CONTACT RESISTANCE: 100mΩ MAX.  
 INSULATION RESISTANCE: 100MΩ MIN. AT 100VDC.  
 DIELECTRIC STRENGTH: 100VAC/1 MINUTE.  
 CONTACT ARRANGEMENT: 1 POLE 1 THROW.  
 MATERIALS:  
 COVER: STAINLESS STEEL  
 BASE: LCP HIGH-TEMP. THERMOPLASTIC.  
 COLOR, WHITE.  
 STEM: LCP HIGH-TEMP. THERMOPLASTIC.  
 COLOR, BLACK.  
 CONTACT DISK: STAINLESS STEEL WITH SILVER CLADDING  
 TERMINAL: BRASS WITH SILVER PLATING  
 TAPE: TEFLON.  
 TAPE & REEL PACKAGING, 2,000 PER REEL  
 SOLDERING:  
 HAND SOLDERING: 30 WATT IRON AT 320°C FOR 2 SECONDS  
 IR REFLOW: 260°C MAX  
 RoHS COMPLIANT  
 LEAD FREE PROCESS COMPATIBLE

DATE	SYM	REVISION RECORD	DWN.	CK.
5/08	B	ECO# 778	CD	PD

Q.A. INSPECT:		DESIGNATES CRITICAL DIMENSION		TOLERANCES (UNLESS OTHERWISE SPECIFIED)		ANGLE = 40.5°	
APDM		63 Neck Rd. 01835		1 OF 1		SCALE 15:1	
TITLE TACT SWITCH		SHEET B		SIZE B		THIRD ANGLE PROJECTION	
DATE 01/23/06		DRAWING NO. AMPPTFP2VTR		REV B			

## Данный компонент на территории Российской Федерации

### Вы можете приобрести в компании MosChip.

Для оперативного оформления запроса Вам необходимо перейти по данной ссылке:

<http://moschip.ru/get-element>

Вы можете разместить у нас заказ для любого Вашего проекта, будь то серийное производство или разработка единичного прибора.

В нашем ассортименте представлены ведущие мировые производители активных и пассивных электронных компонентов.

Нашей специализацией является поставка электронной компонентной базы двойного назначения, продукции таких производителей как XILINX, Intel (ex.ALTERA), Vicor, Microchip, Texas Instruments, Analog Devices, Mini-Circuits, Amphenol, Glenair.

Сотрудничество с глобальными дистрибьюторами электронных компонентов, предоставляет возможность заказывать и получать с международных складов практически любой перечень компонентов в оптимальные для Вас сроки.

На всех этапах разработки и производства наши партнеры могут получить квалифицированную поддержку опытных инженеров.

Система менеджмента качества компании отвечает требованиям в соответствии с ГОСТ Р ИСО 9001, ГОСТ РВ 0015-002 и ЭС РД 009

### Офис по работе с юридическими лицами:

105318, г.Москва, ул.Щербаковская д.3, офис 1107, 1118, ДЦ «Щербаковский»

Телефон: +7 495 668-12-70 (многоканальный)

Факс: +7 495 668-12-70 (доб.304)

E-mail: [info@moschip.ru](mailto:info@moschip.ru)

Skype отдела продаж:

moschip.ru

moschip.ru\_4

moschip.ru\_6

moschip.ru\_9