

Ambient Light Sensor

Version 1.1

SFH 5701 A01



Features:

- Analog output current is proportional to Ambient Light Intensity
- Spectral response close to human eye sensitivity
- Integrated dark current suppression
- Built in thermal compensation
- Linear response over 6 decades of illumination range
- The product qualification test plan is referenced to the guidelines of AEC-Q102 (Failure mechanism based stress test qualification for discrete optoelectronic semiconductors in automotive applications.)

Applications

- Sunlight sensor / head lamp control
- Control of display backlighting
- Mobile devices
- Home automation/ smart speakers
- Smart TV
- Industrial displays
- Smart lighting control

Ordering Information

Type:	Output current I_{OUT} [μ A] $V_{DD} = 5$ V, $E_V = 100$ lx (white LED)	Ordering Code
SFH 5701 A01	typ. 135	Q65112A5751

Note: Only one bin within one packing unit, see characteristics.

Maximum Ratings ($T_A = 25\text{ °C}$)

Parameter	Symbol	Values	Unit
Operation temperature range	T_{op}	-40 ... 100	°C
Storage temperature range	T_{stg}	-40 ... 100	°C
Supply voltage (for definition of voltage polarity refer to Appnote AN132)	V_{ddmax}	6	V
Supply current (internally limited; for definition of voltage polarity refer to Appnote AN132))	I_{ddmax}	15	mA
Forward voltage (for definition of voltage polarity refer to Appnote AN132)	V_F	0.56	V
Forward current (for definition of voltage polarity refer to Appnote AN132)	I_F	0.5	mA
ESD withstand voltage (acc. to ANSI/ ESDA/ JEDEC JS-001 - HBM)	V_{ESD}	2000	V
ESD withstand voltage (acc. to ANSI/ ESDA/ JEDEC JS-002 - CDM)	V_{ESD}	750	V
ESD withstand voltage (acc. to ANSI/ ESDA/ JESD22-A115-MM)	V_{ESD}	400	V

Operating Conditions

Parameter	Symbol	Values			Unit
		min	typ	max	
Supply voltage (for the choice of R_{LOAD} refer to Appnote AN132)	V_{dd}	1.45		5.5	V
Supply current ($V_{DD} = 5\text{ V}$, for the choice of R_{LOAD} refer to Appnote AN132)	I_{dd}	0.01		10k	μA
Illuminance range	E_V	0.01		10k	lx

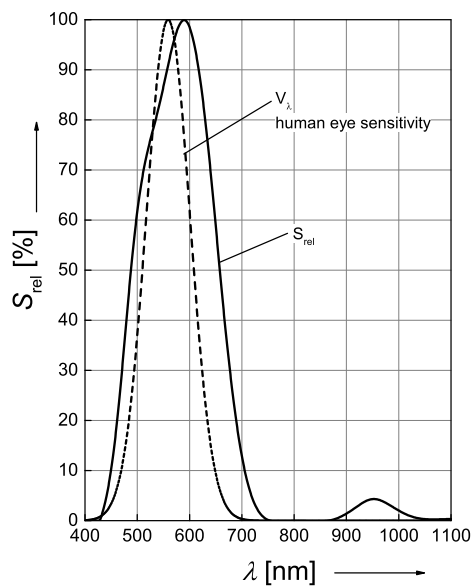
Characteristics ($T_A = 25\text{ °C}$)

Parameter	Symbol	Values	Unit
Spectral sensitivity ($V_{DD} = 5\text{ V}$, $E_V = 100\text{ lx}$, white LED)	(typ) S	1	μA/ lx
Wavelength of max. sensitivity	(typ) $\lambda_{S\ max}$	600	nm
Spectral range of sensitivity	(min) $\lambda_{10\%}$	450	nm
	(max) $\lambda_{10\%}$	705	nm

Parameter		Symbol	Values	Unit
Dimensions of radiant sensitive area	(typ)	L x W	0.33 x 0.33	mm x mm
Half angle	(typ)	φ	± 60	$^{\circ}$
Output impedance	(typ)	Z_{OUT}	10	M Ω
Forward voltage ($I_F = 200 \mu A$, $E = 0$)	(typ)	V_F	0.52	V
Supply current ($V_{DD} = 5 V$, $E_V = 100 \text{ lx}$ (white LED))	(typ)	I_{dd}	135	μA
Output dark current ($V_{DD} = 5 V$, $E_V = 0 \text{ lx}$)	(typ) (max)	I_{OUT_dark} I_{OUT_dark}	3.4 50	nA nA
Rise time ($R_{LOAD} = 33 \text{ k}\Omega$, $E_V = 100 \text{ lx}$, for different testing conditions refer to the Appnote AN132)	(typ)	t_r	14	ms
Temperature coefficient	(typ)	$T_{C\ IOUT}$	-0.07	%/K

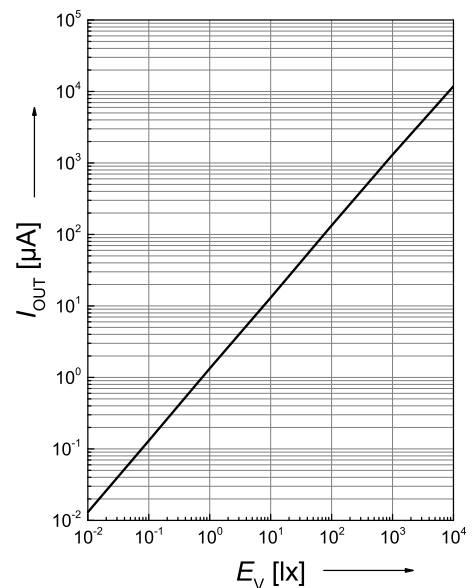
Relative Spectral Sensitivity ^{1) page 12}

Photodiode $S_{rel} = f(\lambda)$



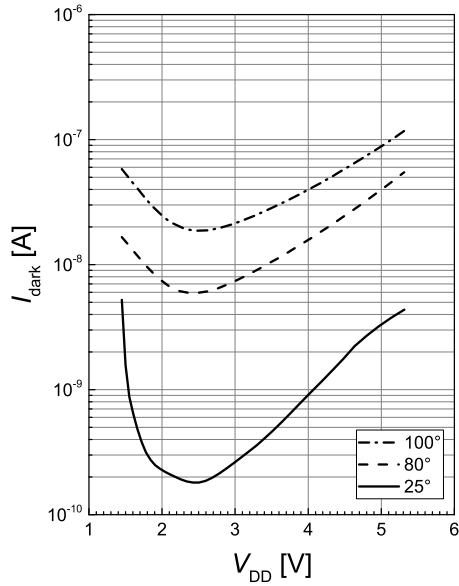
Output Current ^{1) page 12}

$I_{OUT} = f(E_V)$; white LED; $V_{DD} = 5 V$



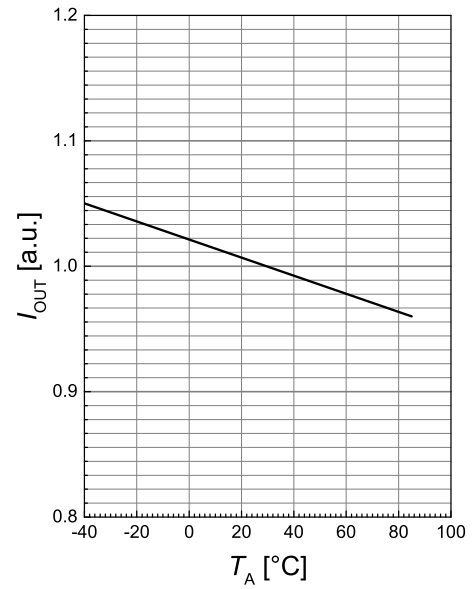
Dark Current ^{1) page 12}

$I_{\text{dark}} = f(V_{\text{DD}})$



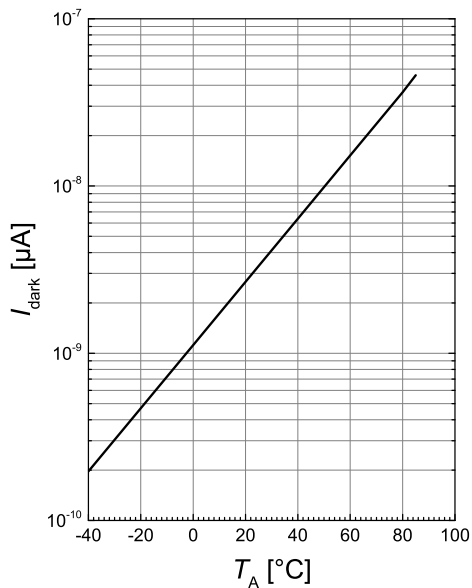
Output Current ^{1) page 12}

$I_{\text{OUT}}(T) / I_{\text{OUT}}(25^{\circ}\text{C}) = f(T_A)$; $E_v = 100\text{lx}$; white LED; $V_{\text{DD}} = 5\text{ V}$



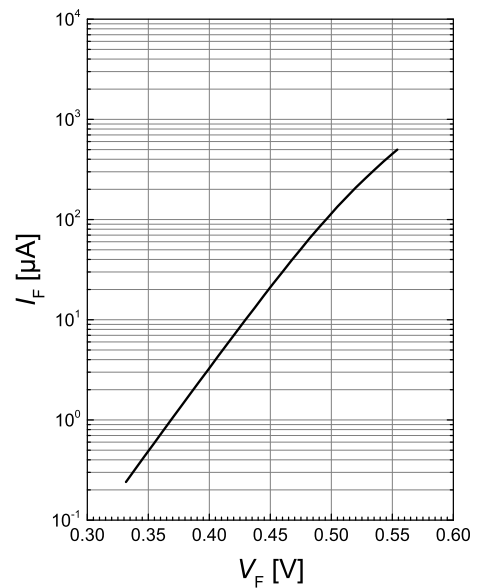
Dark Current ^{1) page 12}

$I_{\text{dark}} = f(T_A)$; $V_F = 5\text{ V}$



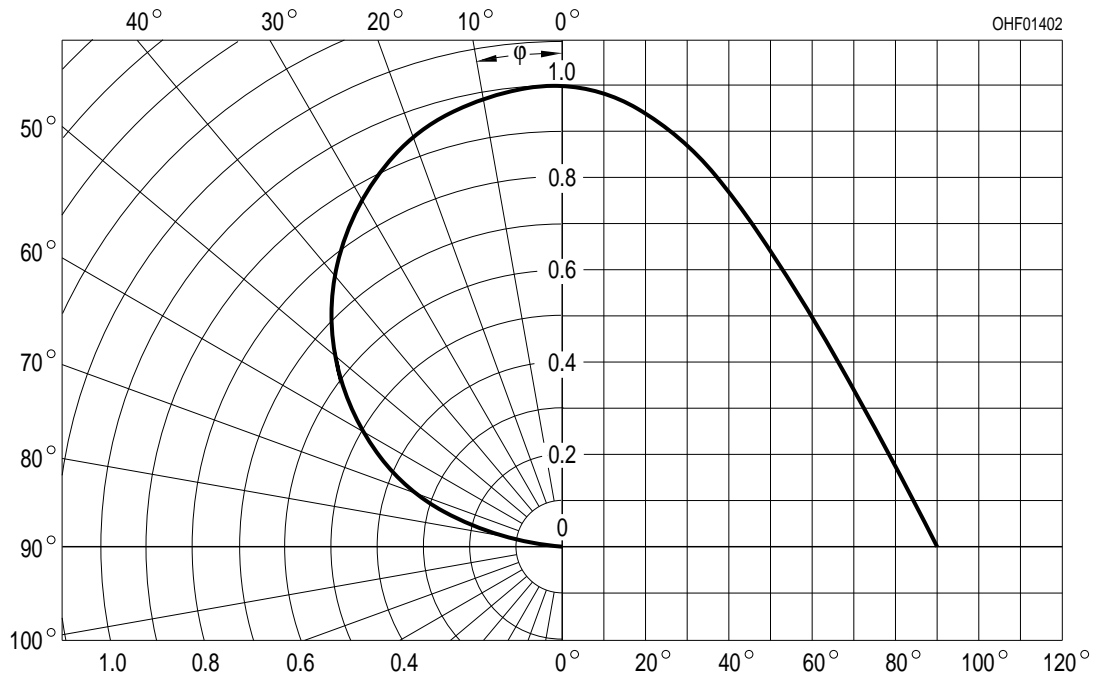
Forward Current ^{1) page 12}

$I_F = f(V_F)$; $E = 0$

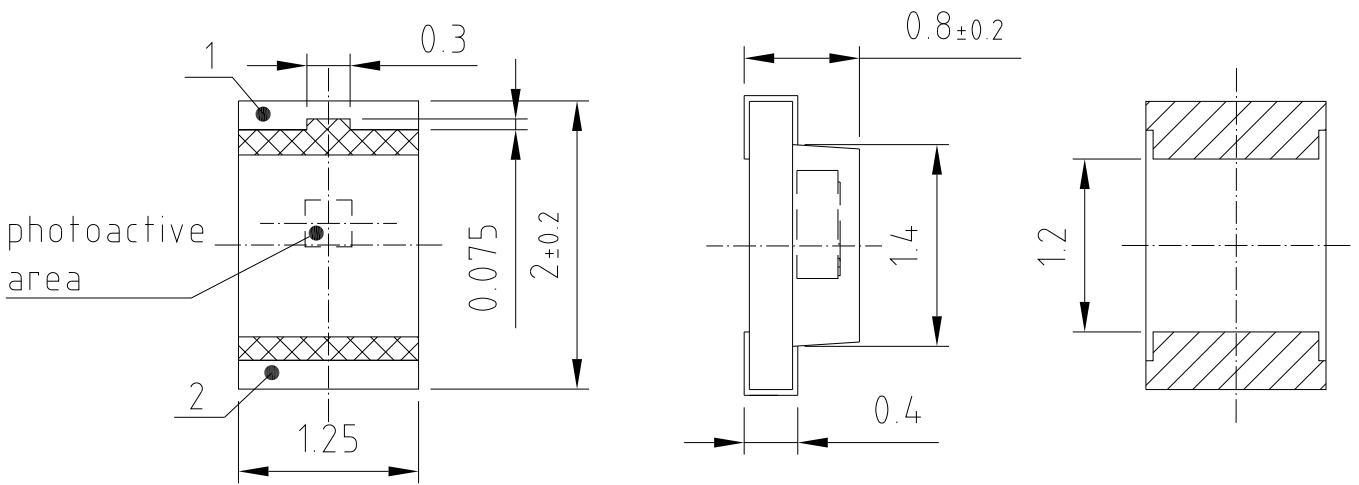


Directional Characteristics (Horizontal) ^{1) page 12}

Photodiode $S_{rel} = f(\phi)$



Package Outline



general tolerance ± 0.1
 lead finish Au

C67062-A0260-A1KA-01

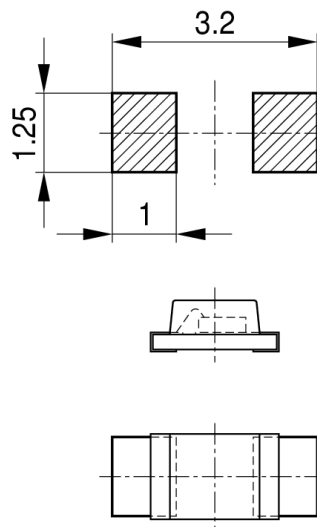
Dimensions in mm.

Pinning

Pin	Description
1	anode (OUT)
2	cathode (VDD)

Approximate Weight:

3.8 mg

Recommended Solder Pad

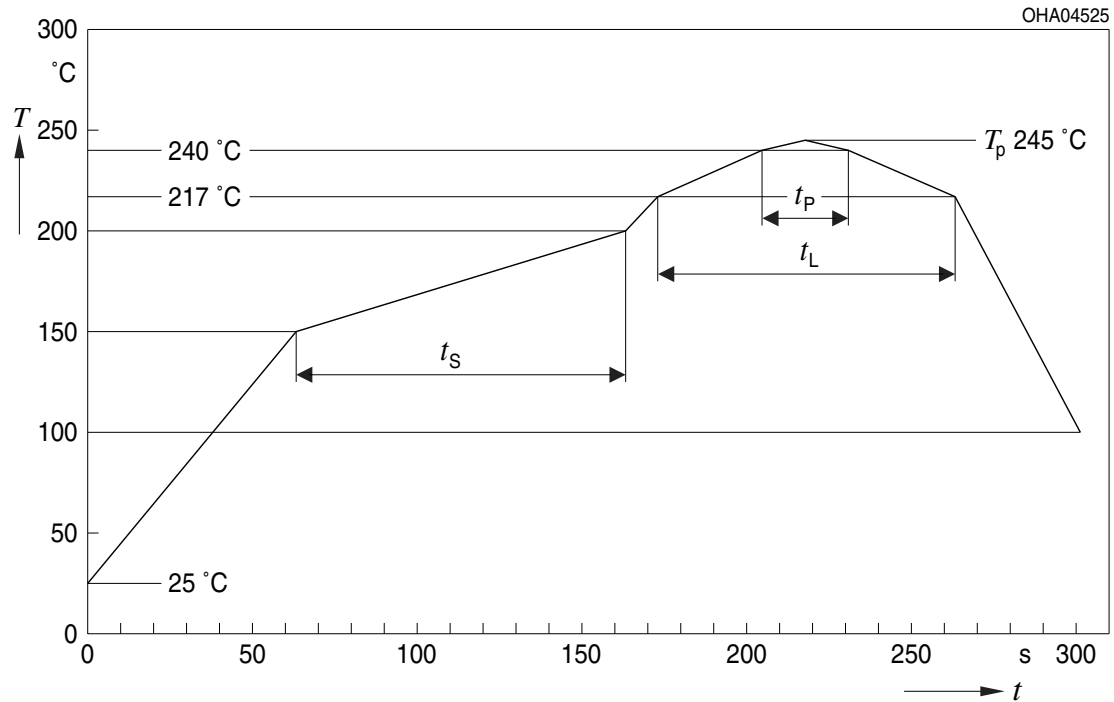
Component location on pad

OHFP2578

Dimensions in mm.

Reflow Soldering Profile

Product complies to MSL Level 4 acc. to JEDEC J-STD-020E



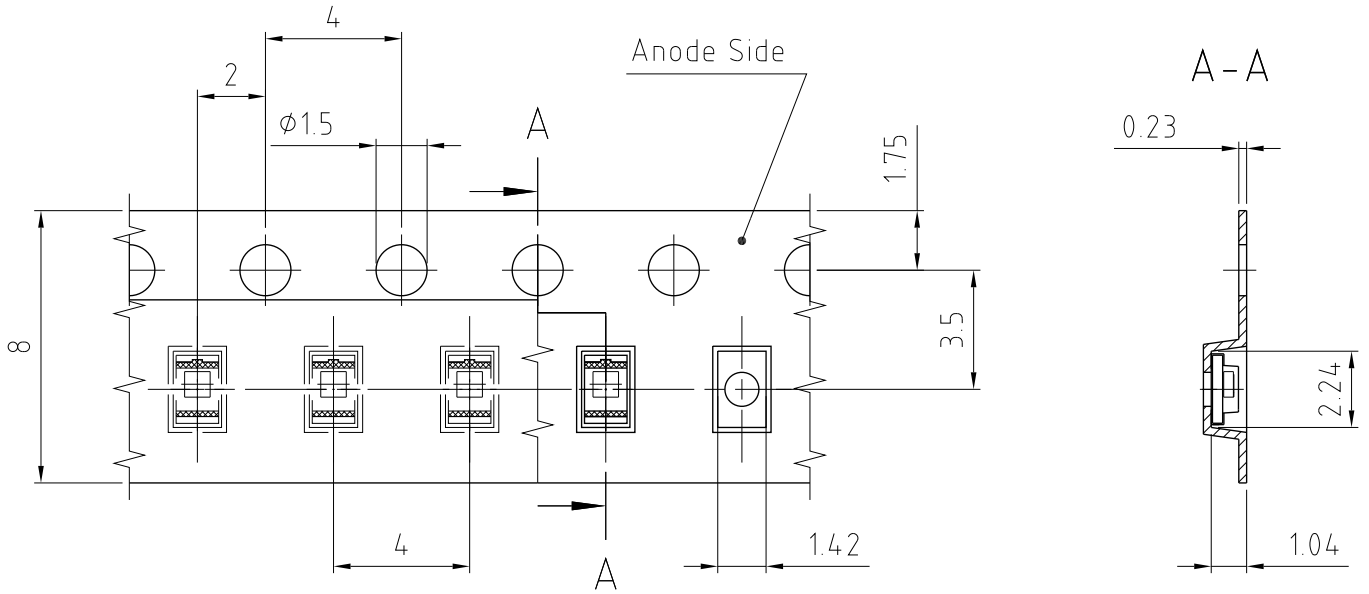
OHA04612

Profil-Charakteristik Profile Feature	Symbol Symbol	Pb-Free (SnAgCu) Assembly			Einheit Unit
		Minimum	Recommendation	Maximum	
Ramp-up Rate to Preheat*) 25 °C to 150 °C			2	3	K/s
Time t_S T_{Smin} to T_{Smax}	t_S	60	100	120	s
Ramp-up Rate to Peak*) T_{Smax} to T_P			2	3	K/s
Liquidus Temperature	T_L	217			°C
Time above Liquidus temperature	t_L		80	100	s
Peak Temperature	T_P		245	260	°C
Time within 5 °C of the specified peak temperature $T_P - 5$ K	t_p	10	20	30	s
Ramp-down Rate*) T_P to 100 °C			3	6	K/s
Time 25 °C to T_P				480	s

All temperatures refer to the center of the package, measured on the top of the component

* slope calculation DT/Dt : Dt max. 5 s; fulfillment for the whole T-range

Taping

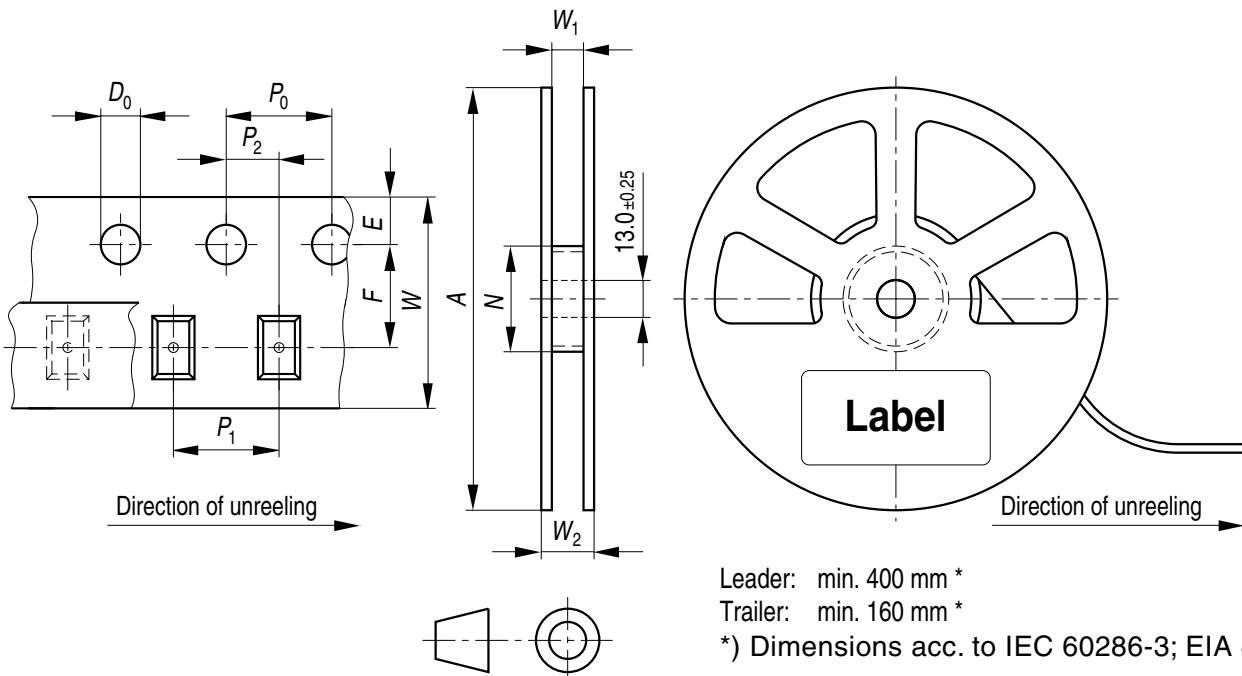


C67062-A0260-B1-03

Dimensions in mm.

Tape and Reel

8 mm tape with 3000 pcs. on \varnothing 180 mm reel



Leader: min. 400 mm *

Trailer: min. 160 mm *

*) Dimensions acc. to IEC 60286-3; EIA 481-D

OHAY0324

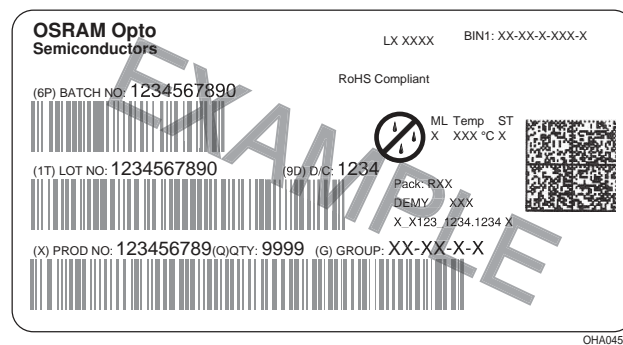
Tape dimensions [mm]

W	P ₀	P ₁	P ₂	D ₀	E	F
8 + 0.3 / -0.1	4 ± 0.1	2 ± 0.05 or 4 ± 0.1	2 ± 0.05	1.5 ± 0.1	1.75 ± 0.1	3.5 ± 0.05

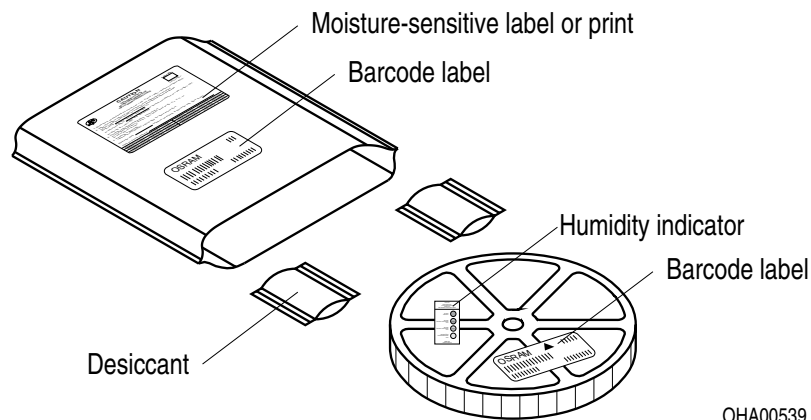
Reel dimensions [mm]

A	W	N _{min}	W ₁	W _{2max}
180	8	60	8.4 + 2	14.4

Barcode-Product-Label (BPL)



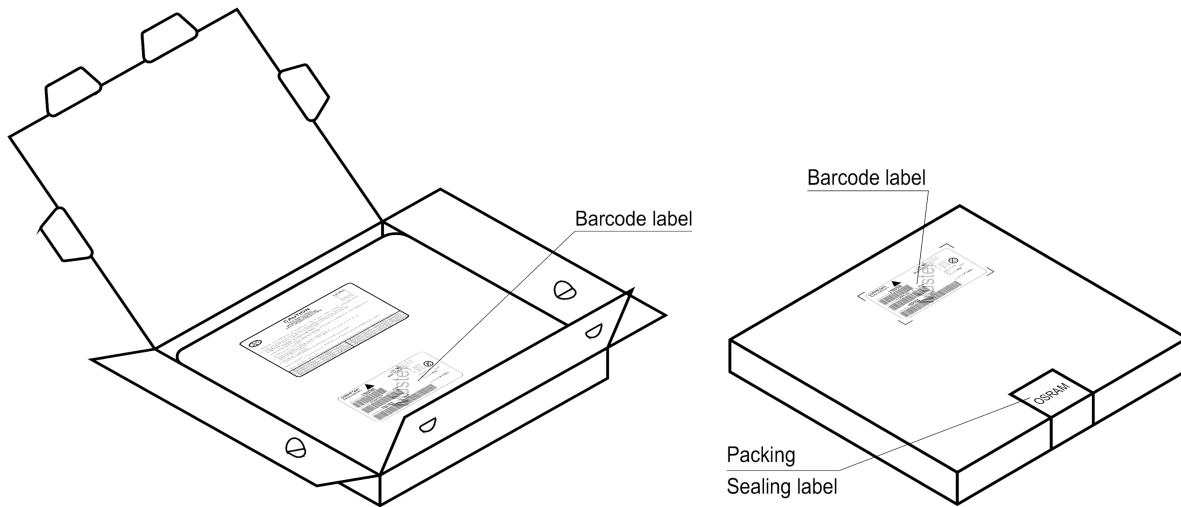
Dry Packing Process and Materials



Note:

Moisture-sensitive product is packed in a dry bag containing desiccant and a humidity card. Regarding dry pack you will find further information in the internet. Here you will also find the normative references like JEDEC.

Transportation Packing and Materials



OHA02044

Dimensions of transportation box in mm

Width	Length	Height
200 ± 5	195 ± 5	30 ± 5

Disclaimer

Language english will prevail in case of any discrepancies or deviations between the two language wordings.

Attention please!

The information describes the type of component and shall not be considered as assured characteristics.

Terms of delivery and rights to change design reserved. Due to technical requirements components may contain dangerous substances.

For information on the types in question please contact our Sales Organization. If printed or downloaded, please find the latest version in the Internet.

Packing

Please use the recycling operators known to you. We can also help you – get in touch with your nearest sales office. By agreement we will take packing material back, if it is sorted. You must bear the costs of transport. For packing material that is returned to us unsorted or which we are not obliged to accept, we shall have to invoice you for any costs incurred.

Components used in life-support devices or systems must be expressly authorized for such purpose!

Critical components* may only be used in life-support devices** or systems with the express written approval of OSRAM OS.

*) A critical component is a component used in a life-support device or system whose failure can reasonably be expected to cause the failure of that life-support device or system, or to affect its safety or the effectiveness of that device or system.

**) Life support devices or systems are intended (a) to be implanted in the human body, or (b) to support and/or maintain and sustain human life. If they fail, it is reasonable to assume that the health and the life of the user may be endangered.

Glossary

- ¹⁾ **Typical Values:** Due to the special conditions of the manufacturing processes of LED, the typical data or calculated correlations of technical parameters can only reflect statistical figures. These do not necessarily correspond to the actual parameters of each single product, which could differ from the typical data and calculated correlations or the typical characteristic line. If requested, e.g. because of technical improvements, these typ. data will be changed without any further notice.

Published by OSRAM Opto Semiconductors GmbH
Leibnizstraße 4, D-93055 Regensburg
www.osram-os.com © All Rights Reserved.

EU RoHS and China RoHS compliant product



此产品符合欧盟 RoHS 指令的要求；

按照中国的相关法规和标准，不含有毒有害物质或元素。

Данный компонент на территории Российской Федерации

Вы можете приобрести в компании MosChip.

Для оперативного оформления запроса Вам необходимо перейти по данной ссылке:

<http://moschip.ru/get-element>

Вы можете разместить у нас заказ для любого Вашего проекта, будь то серийное производство или разработка единичного прибора.

В нашем ассортименте представлены ведущие мировые производители активных и пассивных электронных компонентов.

Нашей специализацией является поставка электронной компонентной базы двойного назначения, продукции таких производителей как XILINX, Intel (ex.ALTERA), Vicor, Microchip, Texas Instruments, Analog Devices, Mini-Circuits, Amphenol, Glenair.

Сотрудничество с глобальными дистрибьюторами электронных компонентов, предоставляет возможность заказывать и получать с международных складов практически любой перечень компонентов в оптимальные для Вас сроки.

На всех этапах разработки и производства наши партнеры могут получить квалифицированную поддержку опытных инженеров.

Система менеджмента качества компании отвечает требованиям в соответствии с ГОСТ Р ИСО 9001, ГОСТ РВ 0015-002 и ЭС РД 009

Офис по работе с юридическими лицами:

105318, г.Москва, ул.Щербаковская д.3, офис 1107, 1118, ДЦ «Щербаковский»

Телефон: +7 495 668-12-70 (многоканальный)

Факс: +7 495 668-12-70 (доб.304)

E-mail: info@moschip.ru

Skype отдела продаж:

moschip.ru

moschip.ru_4

moschip.ru_6

moschip.ru_9