

# TLE6250

## High Speed CAN-Transceiver



### 1 Overview

**Quality Requirement Category: Automotive**

#### Features

- CAN data transmission rate up to 1 Mbit/s
- Receive-only mode and Stand-by mode
- Suitable for 12 V and 24 V applications
- Excellent EMC performance (very high immunity and very low emission)
- Versions for 5 V and 3.3 V microcontrollers
- Bus pins are short circuit proof to ground and battery voltage
- Overtemperature protection
- Very wide temperature range (-40°C up to 150°C)
- Green Product (RoHS compliant)
- AEC Qualified

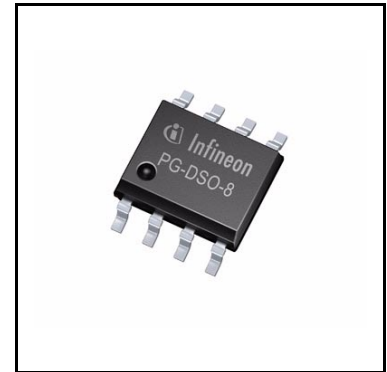
#### Applications

- Engine Control Unit (ECUs)
- Transmission Control Units (TCUs)
- Chassis Control Modules
- Electric Power Steering

#### Description

The HS CAN-transceivers of the TLE6250 family are monolithic integrated circuits that are available as bare die as well as in a PG-DSO-8 package with the same functionality. The transceivers are optimized for high speed differential mode data transmission in automotive applications and industrial applications and they are compatible to ISO 11898. The transceivers work as an interface between the CAN protocol controller and the physical differential bus in both 12 V systems and 24 V systems.

The transceivers are based on the Smart Power Technology (SPT), which allows bipolar and CMOS control circuitry in accordance with DMOS power devices to coexist in the monolithic circuit. The TLE6250 is designed to withstand the severe conditions of automotive applications and provides excellent EMC performance.



## Overview

### TLE6250G

5 V logic I/O version: RxD, TxD, INH, RM. Two control pins (RM, INH) and three operation modes: Normal mode, Stand-by mode and Receive-only mode.

The functions and parameters of the TLE6250G and TLE6250C are identical, except those related to the package. In this document the content for TLE6250G also applies to TLE6250C, unless otherwise stated.

### TLE6250GV33

3.3 V logic I/O version (logic I/O voltage adaptive to  $V_{33V}$  pin in the range of 3.3 V to 5 V): RxD, TxD, INH. One control pin (INH) and two operation modes: Normal mode and Standby mode.

The functions and parameters of the TLE6250GV33 and TLE6250CV33 are identical, except those related to the package. In this document the content for TLE6250GV33 also applies to TLE6250CV33, unless otherwise stated.

Type	Package	Marking
TLE6250G	PG-DSO-8	TLE6250
TLE6250C	(chip)	-
TLE6250GV33	PG-DSO-8	TLE6250V33
TLE6250CV33	(chip)	-

## Table of contents

<b>1</b>	<b>Overview</b> .....	<b>1</b>
	<b>Table of contents</b> .....	<b>3</b>
<b>2</b>	<b>Block diagram</b> .....	<b>4</b>
<b>3</b>	<b>Pin configuration</b> .....	<b>5</b>
<b>4</b>	<b>General product characteristics and electrical characteristics</b> .....	<b>7</b>
4.1	General product characteristics TLE6250G (5 V version) .....	7
4.2	Electrical characteristics TLE6250G (5 V version) .....	8
4.3	General product characteristics TLE6250GV33 (3.3 V version) .....	12
4.4	Electrical characteristics TLE6250GV33 (3.3 V version) .....	13
<b>5</b>	<b>Diagrams</b> .....	<b>16</b>
<b>6</b>	<b>Package outlines</b> .....	<b>19</b>
<b>7</b>	<b>Application information</b> .....	<b>20</b>
<b>8</b>	<b>Revision history</b> .....	<b>23</b>

Block diagram

2 Block diagram

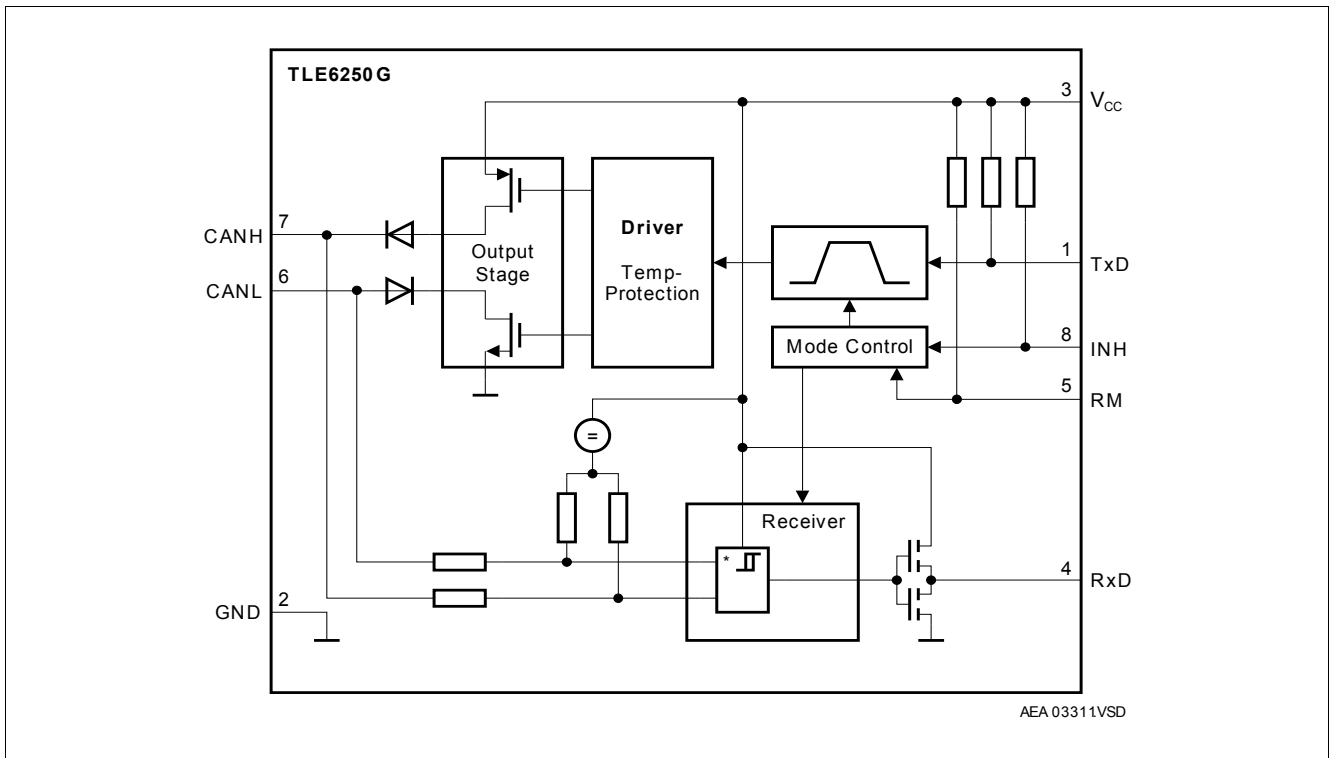


Figure 1 Block diagram TLE6250G

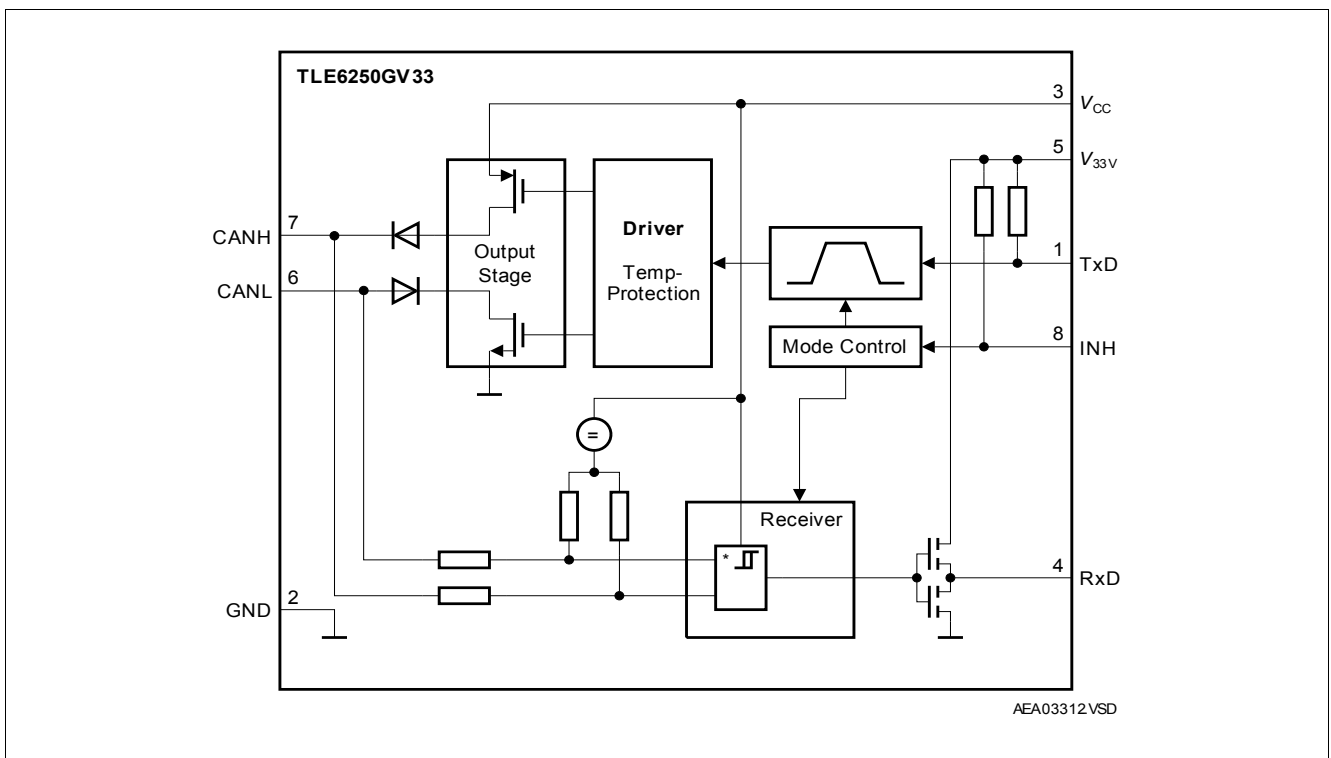


Figure 2 Block diagram TLE6250GV33

Pin configuration

### 3 Pin configuration

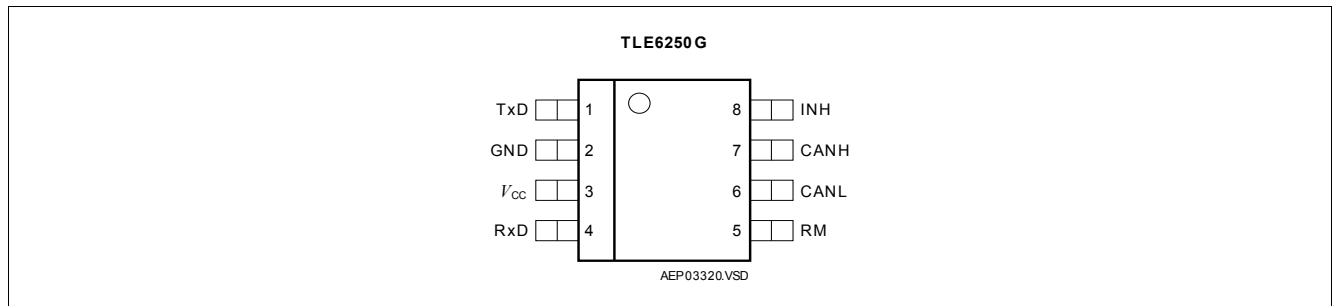


Figure 3 Pin configuration TLE6250G (top view)

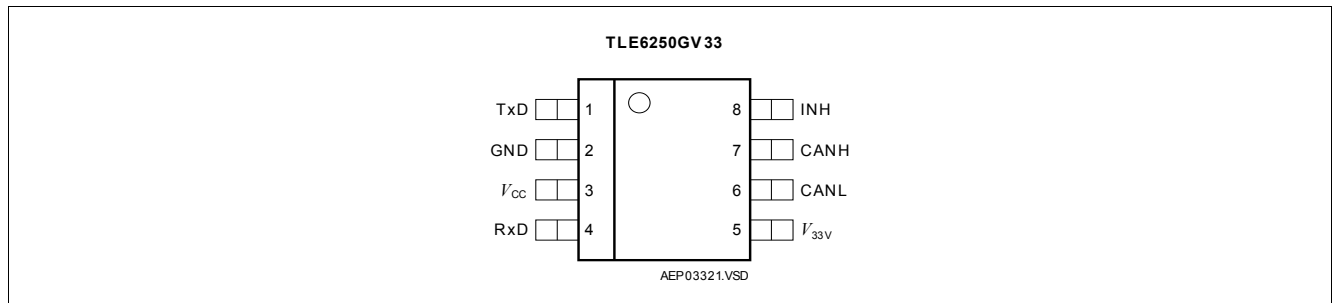


Figure 4 Pin configuration TLE6250GV33 (top view)

Table 1 Pin definitions and functions TLE6250G

Pin No.	Symbol	Function
1	TxD	<b>CAN transmit data input;</b> 20 kΩ pull-up, “low” in dominant state
2	GND	<b>Ground</b>
3	V <sub>CC</sub>	<b>5 V supply input</b>
4	RxD	<b>CAN receive data output;</b> “low” in dominant state, integrated pull-up
5	RM	<b>Receive-only input;</b> control input, 20 kΩ pull-up, set to “low” for entering Receive-only mode
6	CANL	<b>Low line I/O;</b> “low” in dominant state
7	CANH	<b>High line I/O;</b> “high” in dominant state
8	INH	<b>Inhibit input;</b> control input, 20 kΩ pull-up, set to “low” for entering normal mode

Table 2 Pin definitions and Functions TLE6250GV33

Pin No.	Symbol	Function
1	TxD	<b>CAN transmit data input;</b> 20 kΩ pull-up, “low” in dominant state
2	GND	<b>Ground</b>
3	V <sub>CC</sub>	<b>5V supply input</b>
4	RxD	<b>CAN receive data output;</b> “low” in dominant state, integrated pull-up

**Pin configuration**

**Table 2** Pin definitions and Functions TLE6250GV33 (cont'd)

Pin No.	Symbol	Function
5	$V_{33V}$	<b>Logic supply input; 3.3 V or 5 V;</b> the microcontroller logic supply can be connected to this pin. The TLE6250GV33 adapts the digital I/Os to the connected microcontroller logic supply at $V_{33V}$
6	CANL	<b>Low line I/O;</b> “low” in dominant state
7	CANH	<b>High line I/O;</b> “high” in dominant state
8	INH	<b>Inhibit input;</b> control input, 20 k $\Omega$ pull-up, set to “low” for entering normal mode

**General product characteristics and electrical characteristics**

**4 General product characteristics and electrical characteristics**

**4.1 General product characteristics TLE6250G (5 V version)**

**Table 3 Absolute maximum ratings TLE6250G (5 V version)**

Parameter	Symbol	Values			Unit	Note or Test Condition
		Min.	Typ.	Max.		
<b>Voltages</b>						
Supply voltage	$V_{CC}$	-0.3	-	6.5	V	-
CAN Input voltage (CANH, CANL)	$V_{CANH/L}$	-40	-	40	V	-
Logic voltages at INH, RM, TxD, RxD	$V_I$	-0.3	-	$V_{CC}$	V	$0\text{ V} < V_{CC} < 5.5\text{ V}$
Electrostatic discharge voltage at CANH, CANL	$V_{ESD}$	-6	-	6	kV	human body model (100 pF via 1.5 kΩ)
Electrostatic discharge voltage	$V_{ESD}$	-2	-	2	kV	human body model (100 pF via 1.5 kΩ)
<b>Temperatures</b>						
Junction temperature	$T_j$	-40	-	160	°C	-

**Notes**

1. Maximum ratings are absolute ratings; exceeding any one of these values may cause irreversible damage to the integrated circuit.

**Table 4 Operating range TLE6250G (5 V version)**

Parameter	Symbol	Values			Unit	Note or Test Condition
		Min.	Typ.	Max.		
<b>Voltages</b>						
Supply voltage	$V_{CC}$	4.5	-	5.5	V	-
Junction temperature	$T_j$	-40	-	150	°C	-
<b>Thermal resistance</b>						
Junction ambient	$R_{thj-a}$	-	-	185	K/W	in PG-DSO-8 package
<b>Thermal shutdown (junction temperature)</b>						
Thermal shutdown temperature	$T_{jsD}$	160	-	200	°C	<sup>1)</sup> 10°C hysteresis

- 1) Not subject to production test, specified by design.

**General product characteristics and electrical characteristics**

**4.2 Electrical characteristics TLE6250G (5 V version)**

**Table 5 Electrical characteristics TLE6250G (5 V version)**

4.5 V <  $V_{CC}$  < 5.5 V;  $R_L = 60 \Omega$ ;  $V_{INH} < V_{INH,ON}$ ;  $-40^\circ\text{C} < T_j < 150^\circ\text{C}$ ; all voltages with respect to ground; positive current flowing into pin; unless otherwise specified.

Parameter	Symbol	Values			Unit	Note or Test Condition
		Min.	Typ.	Max.		
<b>Current consumption</b>						
Current consumption	$I_{CC}$	–	6	10	mA	recessive state; $V_{TxD} = V_{CC}$
Current consumption	$I_{CC}$	–	45	70	mA	dominant state; $V_{TxD} = 0 \text{ V}$
Current consumption	$I_{CC}$	–	6	10	mA	receive-only mode; RM = “low”
Current consumption	$I_{CC,STB}$	–	1	10	$\mu\text{A}$	stand-by mode; TxD = RM = “high”
<b>Receiver output RxD</b>						
“high” output current	$I_{RD,H}$	–	-4	-2	mA	$V_{RD} = 0.8 \times V_{CC}$ ; $V_{diff} < 0.4 \text{ V}^{1)}$
“low” output current	$I_{RD,L}$	2	4	–	mA	$V_{RD} = 0.2 \times V_{CC}$ ; $V_{diff} > 1 \text{ V}^{1)}$
<b>Transmission input TxD</b>						
“high” input voltage threshold	$V_{TD,H}$	–	$0.5 \times V_{CC}$	$0.7 \times V_{CC}$	V	recessive state
“low” input voltage threshold	$V_{TD,L}$	$0.3 \times V_{CC}$	$0.4 \times V_{CC}$	–	V	dominant state
TxD pull-up resistance	$R_{TD}$	10	25	50	k $\Omega$	–
<b>Inhibit input (INH pin)</b>						
“high” input voltage threshold	$V_{INH,H}$	–	$0.5 \times V_{CC}$	$0.7 \times V_{CC}$	V	stand-by mode
“low” input voltage threshold	$V_{INH,L}$	$0.3 \times V_{CC}$	$0.4 \times V_{CC}$	–	V	normal mode
INH pull-up resistance	$R_{INH}$	10	25	50	k $\Omega$	–



**General product characteristics and electrical characteristics**

**Table 5 Electrical characteristics TLE6250G (5 V version) (cont'd)**

4.5 V <  $V_{CC}$  < 5.5 V;  $R_L = 60 \Omega$ ;  $V_{INH} < V_{INH,ON}$ ;  $-40^\circ\text{C} < T_j < 150^\circ\text{C}$ ; all voltages with respect to ground; positive current flowing into pin; unless otherwise specified.

Parameter	Symbol	Values			Unit	Note or Test Condition
		Min.	Typ.	Max.		
<b>Receive only input (RM pin) (5 V version)</b>						
“high” input voltage threshold	$V_{RM,H}$	–	$0.5 \times V_{CC}$	$0.7 \times V_{CC}$	V	normal mode;
“low” input voltage threshold	$V_{RM,L}$	$0.3 \times V_{CC}$	$0.4 \times V_{CC}$	–	V	receive-only mode
RM pull-up resistance	$R_{RM}$	10	25	50	k $\Omega$	–
<b>Bus receiver</b>						
Differential receiver threshold voltage, recessive to dominant edge	$V_{diff,d}$	–	0.75	0.90	V	– $20 \text{ V} < (V_{CANH}, V_{CANL}) < 25 \text{ V};$ $V_{diff} = V_{CANH} - V_{CANL}$
Differential receiver threshold voltage dominant to recessive edge	$V_{diff,r}$	0.50	0.60	–	V	– $20 \text{ V} < (V_{CANH}, V_{CANL}) < 25 \text{ V};$ $V_{diff} = V_{CANH} - V_{CANL}$
Common mode range	$CMR$	-20	–	25	V	$V_{CC} = 5 \text{ V}$
Differential receiver hysteresis	$V_{diff,hys}$	–	150	–	mV	–
CANH, CANL input resistance	$R_i$	10	20	30	k $\Omega$	recessive state
Differential input resistance	$R_{diff}$	20	40	60	k $\Omega$	recessive state

**General product characteristics and electrical characteristics**

**Table 5 Electrical characteristics TLE6250G (5 V version) (cont'd)**

4.5 V <  $V_{CC}$  < 5.5 V;  $R_L = 60 \Omega$ ;  $V_{INH} < V_{INH,ON}$ ;  $-40^\circ\text{C} < T_j < 150^\circ\text{C}$ ; all voltages with respect to ground; positive current flowing into pin; unless otherwise specified.

Parameter	Symbol	Values			Unit	Note or Test Condition
		Min.	Typ.	Max.		
<b>Bus transmitter</b>						
CANL/CANH recessive output voltage	$V_{CANL/H}$	$0.4 \times V_{CC}$	–	$0.6 \times V_{CC}$	V	$V_{TxD} = V_{CC}$
CANH, CANL recessive output voltage difference $V_{diff} = V_{CANH} - V_{CANL}$ , no load <sup>2)</sup>	$V_{diff}$	-1	–	0.05	V	$V_{TxD} = V_{CC}$
CANL dominant output voltage	$V_{CANL}$	–	–	2.0	V	$V_{TxD} = 0 \text{ V};$ $V_{CC} = 5 \text{ V}$
CANH dominant output voltage	$V_{CANH}$	2.8	–	–	V	$V_{TxD} = 0 \text{ V};$ $V_{CC} = 5 \text{ V}$
CANH, CANL dominant output voltage difference $V_{diff} = V_{CANH} - V_{CANL}$	$V_{diff}$	1.5	–	3.0	V	$V_{TxD} = 0 \text{ V};$ $V_{CC} = 5 \text{ V}$
CANL short circuit current	$I_{CANLsc}$	50	120	200	mA	$V_{CANLshort} = 18 \text{ V}$
CANL short circuit current	$I_{CANLsc}$	–	150	–	mA	$V_{CANLshort} = 36 \text{ V}$
CANH short circuit current	$I_{CANHsc}$	-200	-120	-50	mA	$V_{CANHshort} = 0 \text{ V}$
CANH short circuit current	$I_{CANHsc}$	–	-120	–	mA	$V_{CANHshort} = -5 \text{ V}$
Output current	$I_{CANH,Ik}$	-50	-300	-400	$\mu\text{A}$	$V_{CC} = 0 \text{ V};$ $V_{CANH} = V_{CANL} = -7 \text{ V}$
Output current	$I_{CANH,Ik}$	-50	-100	-150	$\mu\text{A}$	$V_{CC} = 0 \text{ V};$ $V_{CANH} = V_{CANL} = -2 \text{ V}$
Output current	$I_{CANH,Ik}$	50	280	400	$\mu\text{A}$	$V_{CC} = 0 \text{ V};$ $V_{CANH} = V_{CANL} = 7 \text{ V}$
Output current	$I_{CANH,Ik}$	50	100	150	$\mu\text{A}$	$V_{CC} = 0 \text{ V};$ $V_{CANH} = V_{CANL} = 2 \text{ V}$

**General product characteristics and electrical characteristics**

**Table 5 Electrical characteristics TLE6250G (5 V version) (cont'd)**

$4.5\text{ V} < V_{CC} < 5.5\text{ V}$ ;  $R_L = 60\ \Omega$ ;  $V_{INH} < V_{INH,ON}$ ;  $-40^\circ\text{C} < T_j < 150^\circ\text{C}$ ; all voltages with respect to ground; positive current flowing into pin; unless otherwise specified.

Parameter	Symbol	Values			Unit	Note or Test Condition
		Min.	Typ.	Max.		
<b>Dynamic CAN-transceiver characteristics</b>						
Propagation delay TxD-to-RxD “low” (recessive to dominant)	$t_{d(L),TR}$	–	150	255	ns	<sup>3)</sup> $C_L = 47\text{ pF}$ ; $R_L = 60\ \Omega$ ; $V_{CC} = 5\text{ V}$ ; $C_{RxD} = 20\text{ pF}$
Propagation delay TxD-to-RxD “high” (dominant to recessive)	$t_{d(H),TR}$	–	150	255	ns	<sup>3)</sup> $C_L = 47\text{ pF}$ ; $R_L = 60\ \Omega$ ; $V_{CC} = 5\text{ V}$ ; $C_{RxD} = 20\text{ pF}$
Propagation delay TxD “low” to bus dominant	$t_{d(L),T}$	–	100	140	ns	$C_L = 47\text{ pF}$ ; $R_L = 60\ \Omega$ ; $V_{CC} = 5\text{ V}$
Propagation delay TxD “high” to bus recessive	$t_{d(H),T}$	–	100	140	ns	$C_L = 47\text{ pF}$ ; $R_L = 60\ \Omega$ ; $V_{CC} = 5\text{ V}$
Propagation delay bus dominant to RxD “low”	$t_{d(L),R}$	–	50	140	ns	$C_L = 47\text{ pF}$ ; $R_L = 60\ \Omega$ ; $V_{CC} = 5\text{ V}$ ; $C_{RxD} = 20\text{ pF}$
Propagation delay bus recessive to RxD “high”	$t_{d(H),R}$	–	50	140	ns	$C_L = 47\text{ pF}$ ; $R_L = 60\ \Omega$ ; $V_{CC} = 5\text{ V}$ ; $C_{RxD} = 20\text{ pF}$

1)  $V_{diff} = V_{CANH} - V_{CANL}$

2) Deviation from ISO 11898

3) TLE6250C: Not subject to production test, specified by design.

**General product characteristics and electrical characteristics**

**4.3 General product characteristics TLE6250GV33 (3.3 V version)**

**Table 6 Absolute maximum ratings TLE6250GV33 (3.3 V version)**

Parameter	Symbol	Values			Unit	Note or Test Condition
		Min.	Typ.	Max.		
<b>Voltages</b>						
Supply voltage	$V_{CC}$	-0.3	–	6.5	V	–
3.3 V supply	$V_{33V}$	-0.3	–	6.5	V	–
CAN input voltage (CANH, CANL)	$V_{CANH/L}$	-40	–	40	V	–
Logic voltages at INH, RM, TxD, RxD	$V_I$	-0.3	–	$V_{CC}$	V	$0 V < V_{CC} < 5.5 V$
Electrostatic discharge voltage at CANH, CANL	$V_{ESD}$	-6	–	6	kV	human body model (100 pF via 1.5 k $\Omega$ )
Electrostatic discharge voltage	$V_{ESD}$	-2	–	2	kV	human body model (100 pF via 1.5 k $\Omega$ )
<b>Temperatures</b>						
Junction temperature	$T_j$	-40	–	160	°C	–

Note: Maximum ratings are absolute ratings; exceeding any one of these values may cause irreversible damage to the integrated circuit.

**Table 7 Operating range TLE6250GV33 (3.3 V version)**

Parameter	Symbol	Values			Unit	Note or Test Condition
		Min.	Typ.	Max.		
Supply voltage	$V_{CC}$	4.5	–	5.5	V	–
3.3 V supply voltage	$V_{33V}$	3.0	–	5.5	V	–
Junction temperature	$T_j$	-40	–	150	°C	–

**Thermal resistance**

Junction ambient	$R_{thj-a}$	–	–	185	K/W	in PG-DSO-8 package
------------------	-------------	---	---	-----	-----	---------------------

**Thermal shutdown (junction temperature)**

Thermal shutdown temperature	$T_{jSD}$	160	–	200	°C	<sup>1)</sup> 10°C hysteresis
------------------------------	-----------	-----	---	-----	----	-------------------------------

1) Not subject to production test, specified by design.

**General product characteristics and electrical characteristics**

**4.4 Electrical characteristics TLE6250GV33 (3.3 V version)**

**Table 8 Electrical characteristics TLE6250GV33 (3.3 V version)**

4.5 V < V<sub>CC</sub> < 5.5 V; (3.0 V < V<sub>33V</sub> < 5.5V for 3.3 V version); R<sub>L</sub> = 60 Ω; V<sub>INH</sub> < V<sub>INH,ON</sub>; -40°C < T<sub>j</sub> < 150°C; all voltages with respect to ground; positive current flowing into pin; unless otherwise specified.

Parameter	Symbol	Values			Unit	Note or Test Condition
		Min.	Typ.	Max.		
<b>Current consumption (3.3 V version)</b>						
Current consumption	I <sub>CC+33V</sub>	–	6	10	mA	recessive state; V <sub>TxD</sub> = V <sub>33V</sub>
Current consumption	I <sub>CC+33V</sub>	–	45	70	mA	dominant state; V <sub>TxD</sub> = 0 V
Current consumption	I <sub>33V</sub>	–	–	2	mA	–
Current consumption	I <sub>CC+33V, stb</sub>	–	1	10	μA	stand-by mode; TxD = “high”
<b>Receiver output RxD</b>						
“high” output current	I <sub>RD,H</sub>	–	-2	-1	mA	V <sub>RD</sub> = 0.8 × V <sub>33V</sub> ; V <sub>diff</sub> < 0.4 V <sup>1)</sup>
“low” output current	I <sub>RD,L</sub>	1	2	–	mA	V <sub>RD</sub> = 0.2 × V <sub>33V</sub> ; V <sub>diff</sub> > 1 V <sup>1)</sup>
<b>Transmission input TxD</b>						
“high” input voltage threshold	V <sub>TD,H</sub>	–	0.55 × V <sub>33V</sub>	0.7 × V <sub>33V</sub>	V	recessive state
“low” input voltage threshold	V <sub>TD,L</sub>	0.3 × V <sub>33V</sub>	0.45 × V <sub>33V</sub>	–	V	dominant state
TxD pull-up resistance	R <sub>TD</sub>	10	25	50	kΩ	–
<b>Inhibit Input (pin INH)</b>						
“high” input voltage threshold	V <sub>INH,H</sub>	–	0.55 × V <sub>33V</sub>	0.7 × V <sub>33V</sub>	V	stand-by mode
“low” input voltage threshold	V <sub>INH,L</sub>	0.3 × V <sub>33V</sub>	0.45 × V <sub>33V</sub>	–	V	normal mode
INH pull-up resistance	R <sub>INH</sub>	10	25	50	kΩ	–
<b>Bus receiver</b>						
Differential receiver threshold voltage, recessive to dominant edge	V <sub>diff,d</sub>	–	0.75	0.90	V	-20 V < (V <sub>CANH</sub> , V <sub>CANL</sub> ) < 25 V; V <sub>diff</sub> = V <sub>CANH</sub> - V <sub>CANL</sub>
Differential receiver threshold voltage, dominant to recessive edge	V <sub>diff,r</sub>	0.50	0.60	–	V	-20 V < (V <sub>CANH</sub> , V <sub>CANL</sub> ) < 25 V; V <sub>diff</sub> = V <sub>CANH</sub> - V <sub>CANL</sub>
Common Mode Range	CMR	-20	–	25	V	V <sub>CC</sub> = 5 V
Differential receiver hysteresis	V <sub>diff,hys</sub>	–	150	–	mV	–
CANH, CANL input resistance	R <sub>i</sub>	10	20	30	kΩ	recessive state
Differential input resistance	R <sub>diff</sub>	20	40	60	kΩ	recessive state

**General product characteristics and electrical characteristics**

**Table 8 Electrical characteristics TLE6250GV33 (3.3 V version) (cont'd)**

4.5 V <  $V_{CC}$  < 5.5 V; (3.0 V <  $V_{33V}$  < 5.5V for 3.3 V version);  $R_L = 60 \Omega$ ;  $V_{INH} < V_{INH,ON}$ ;  $-40^\circ\text{C} < T_j < 150^\circ\text{C}$ ; all voltages with respect to ground; positive current flowing into pin; unless otherwise specified.

Parameter	Symbol	Values			Unit	Note or Test Condition
		Min.	Typ.	Max.		
<b>Bus transmitter</b>						
CANL/CANH recessive output voltage	$V_{CANL/H}$	$0.4 \times V_{CC}$	–	$0.6 \times V_{CC}$	V	$V_{TxD} = V_{33V}$
CANH, CANL recessive output voltage difference $V_{diff} = V_{CANH} - V_{CANL}$ , no load <sup>2)</sup>	$V_{diff}$	-1	–	0.05	V	$V_{TxD} = V_{33V}$
CANL dominant output voltage	$V_{CANL}$	–	–	2.0	V	$V_{TxD} = 0 \text{ V}$ ; $V_{CC} = 5 \text{ V}$
CANH dominant output voltage	$V_{CANH}$	2.8	–	–	V	$V_{TxD} = 0$ ; $V_{CC} = 5 \text{ V}$
CANH, CANL dominant output voltage difference $V_{diff} = V_{CANH} - V_{CANL}$	$V_{diff}$	1.5	–	3.0	V	$V_{TxD} = 0 \text{ V}$ ; $V_{CC} = 5 \text{ V}$
CANL short circuit current	$I_{CANLsc}$	50	120	200	mA	$V_{CANLshort} = 18 \text{ V}$
CANL short circuit current	$I_{CANLsc}$	–	150	–	mA	$V_{CANLshort} = 36 \text{ V}$
CANH short circuit current	$I_{CANHsc}$	-200	-120	-50	mA	$V_{CANHshort} = 0 \text{ V}$
CANH short circuit current	$I_{CANHsc}$	–	-120	–	mA	$V_{CANHshort} = -5 \text{ V}$
Output current	$I_{CANH/L,Ik}$	-50	-300	-400	$\mu\text{A}$	$V_{CC} = 0 \text{ V}$ ; $V_{CANH} = V_{CANL} = -7 \text{ V}$
Output current	$I_{CANH/L,Ik}$	-50	-100	-150	$\mu\text{A}$	$V_{CC} = 0 \text{ V}$ ; $V_{CANH} = V_{CANL} = -2 \text{ V}$
Output current	$I_{CANH/L,Ik}$	50	280	400	$\mu\text{A}$	$V_{CC} = 0 \text{ V}$ ; $V_{CANH} = V_{CANL} = 7 \text{ V}$
Output current	$I_{CANH/L,Ik}$	50	100	150	$\mu\text{A}$	$V_{CC} = 0 \text{ V}$ ; $V_{CANH} = V_{CANL} = 2 \text{ V}$

**General product characteristics and electrical characteristics**

**Table 8 Electrical characteristics TLE6250GV33 (3.3 V version) (cont'd)**

4.5 V < V<sub>CC</sub> < 5.5 V; (3.0 V < V<sub>33V</sub> < 5.5V for 3.3 V version); R<sub>L</sub> = 60 Ω; V<sub>INH</sub> < V<sub>INH,ON</sub>; -40°C < T<sub>j</sub> < 150°C; all voltages with respect to ground; positive current flowing into pin; unless otherwise specified.

Parameter	Symbol	Values			Unit	Note or Test Condition
		Min.	Typ.	Max.		
<b>Dynamic CAN-transceiver characteristics</b>						
Propagation delay TxD-to-RxD “low” (recessive to dominant)	t <sub>d(L),TR</sub>	–	150	255	ns	<sup>3)</sup> C <sub>L</sub> = 47 pF; R <sub>L</sub> = 60 Ω; V <sub>CC</sub> = 5 V; C <sub>RxD</sub> = 20 pF
Propagation delay TxD-to-RxD “high” (dominant to recessive)	t <sub>d(H),TR</sub>	–	150	255	ns	<sup>3)</sup> C <sub>L</sub> = 47 pF; R <sub>L</sub> = 60 Ω; V <sub>CC</sub> = 5 V; C <sub>RxD</sub> = 20 pF
Propagation delay TxD “low” to bus dominant	t <sub>d(L),T</sub>	–	100	140	ns	C <sub>L</sub> = 47 pF; R <sub>L</sub> = 60 Ω; V <sub>CC</sub> = 5 V
Propagation delay TxD “high” to bus recessive	t <sub>d(H),T</sub>	–	100	140	ns	C <sub>L</sub> = 47 pF; R <sub>L</sub> = 60 Ω; V <sub>CC</sub> = 5 V
Propagation delay bus dominant to RxD “low”	t <sub>d(L),R</sub>	–	50	140	ns	C <sub>L</sub> = 47 ; R <sub>L</sub> = 60 Ω; V <sub>CC</sub> = 5 V; C <sub>RxD</sub> = 20 pF
Propagation delay bus recessive to RxD “high”	t <sub>d(H),R</sub>	–	50	140	ns	C <sub>L</sub> = 47 pF; R <sub>L</sub> = 60 Ω; V <sub>CC</sub> = 5 V; C <sub>RxD</sub> = 20 pF

1) V<sub>diff</sub> = V<sub>CANH</sub> - V<sub>CANL</sub>

2) Deviation from ISO 11898

3) TLE6250CV33: Not subject to production test, specified by design.

Diagrams

5 Diagrams

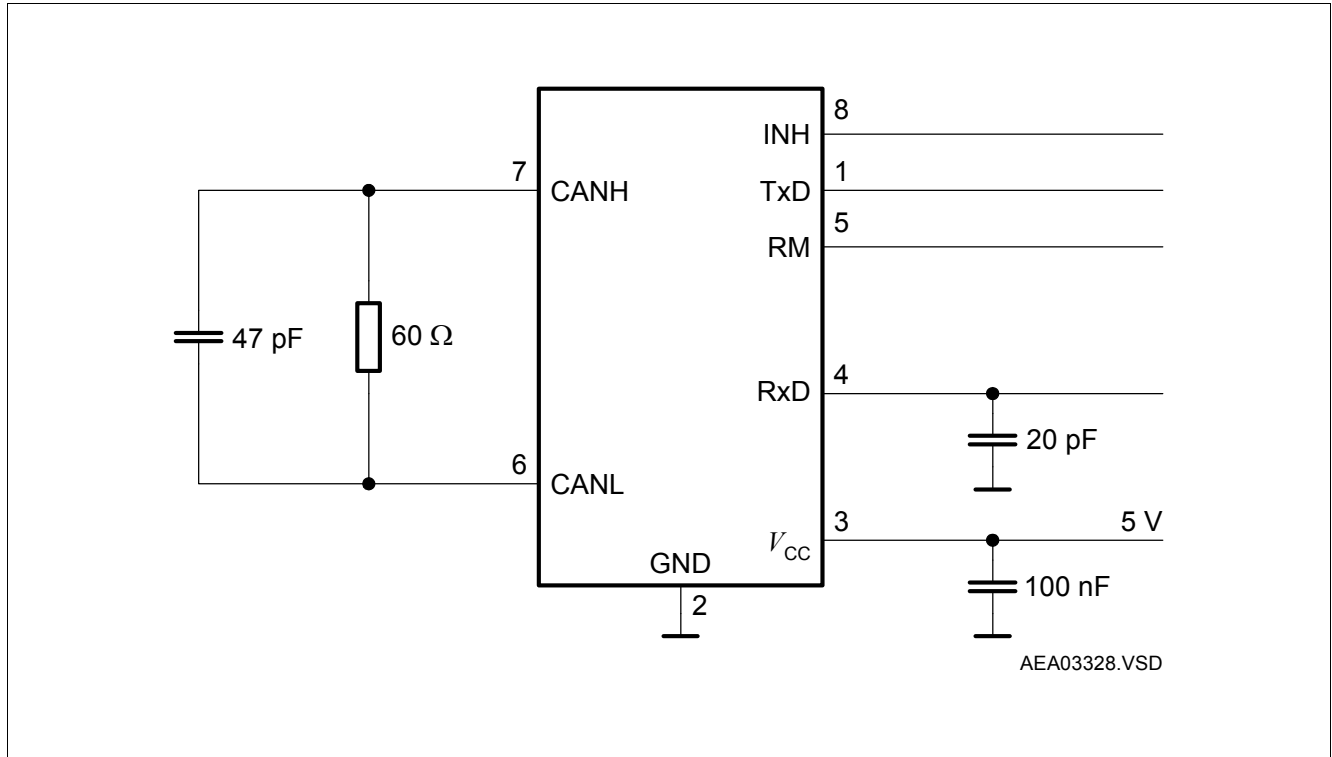


Figure 5 Test circuit for dynamic characteristics (5 V version)

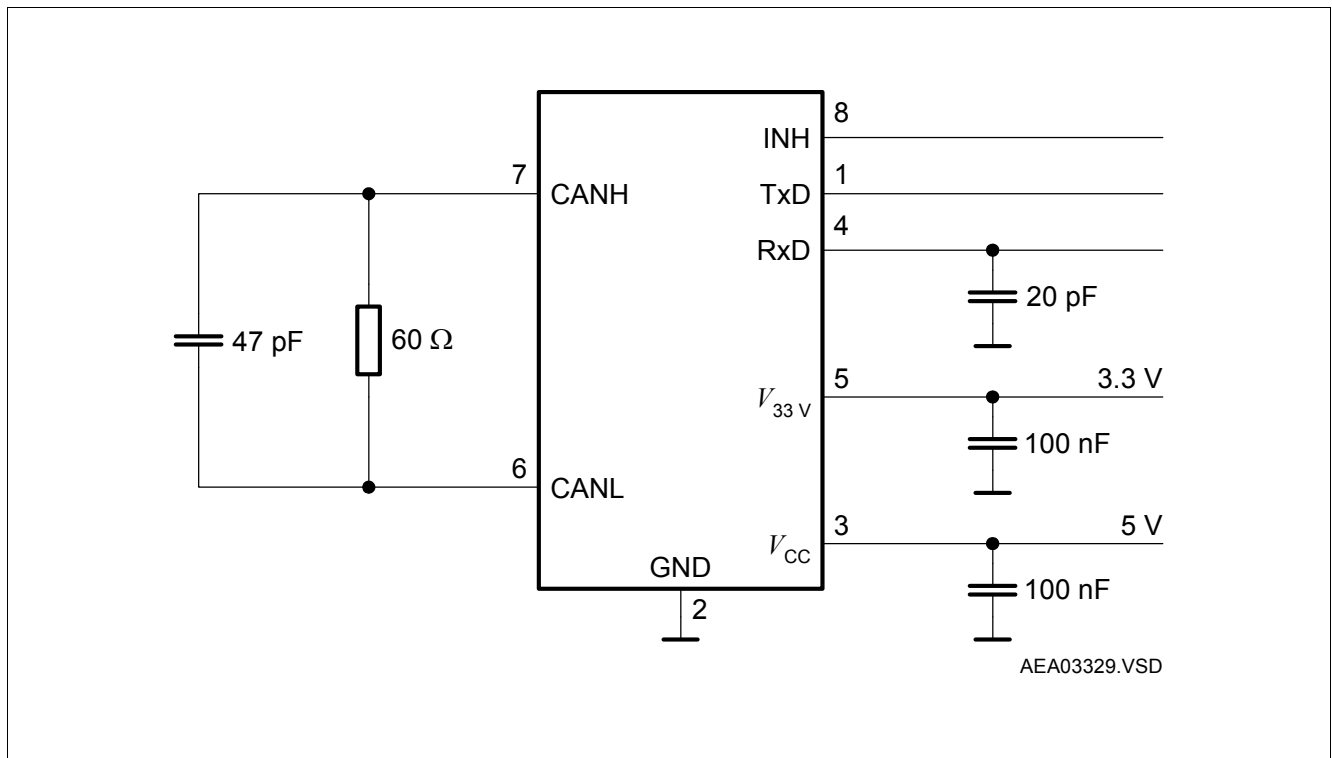


Figure 6 Test circuit for dynamic characteristics (3.3 V version)



Diagrams

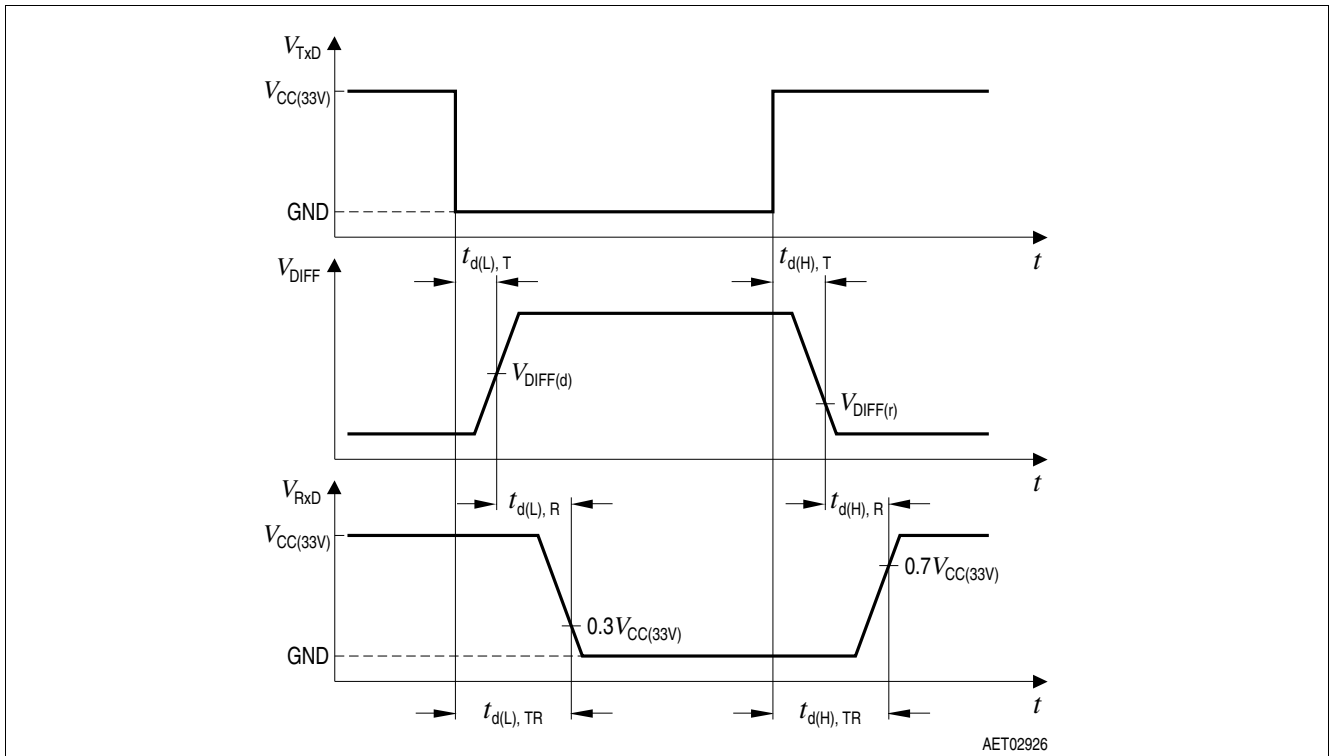
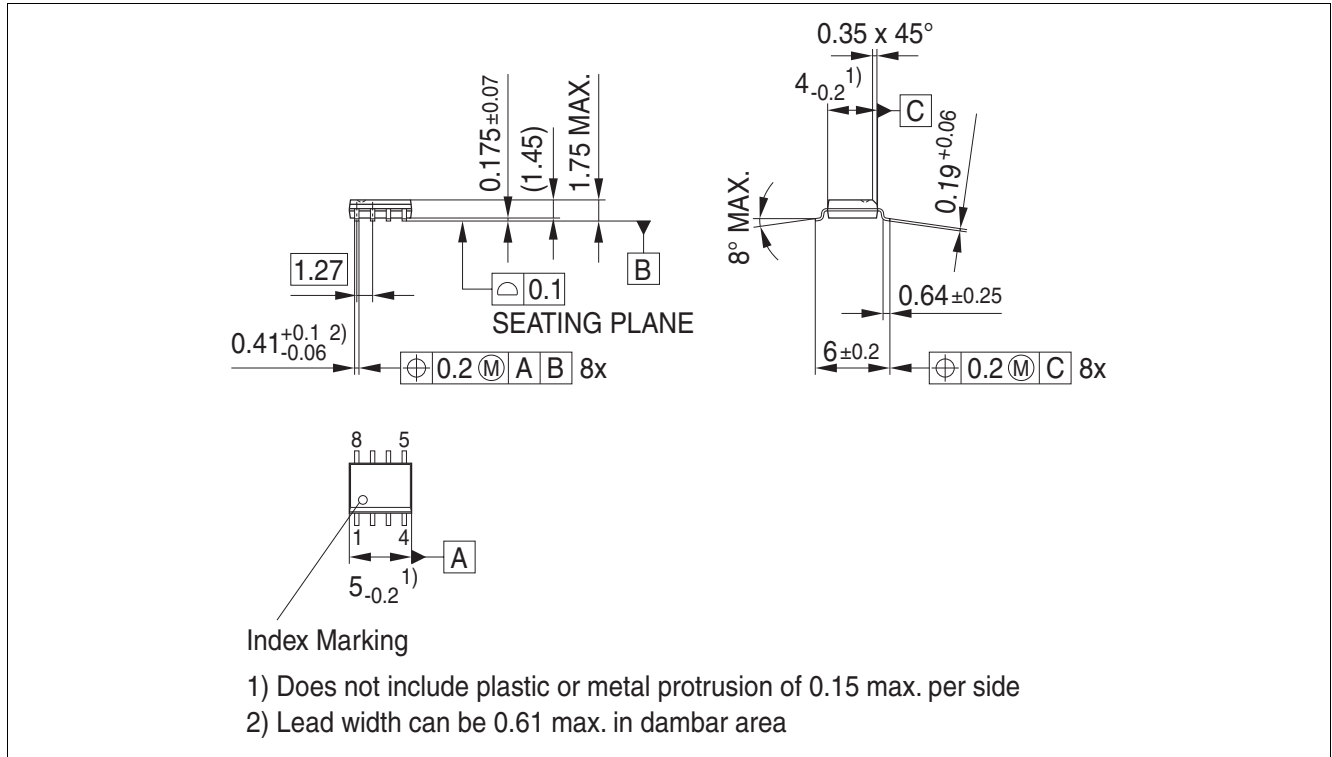


Figure 7 Timing diagram for dynamic characteristics



## 6 Package outlines



**Figure 9** PG-DSO-8 (PG-DSO-8 Plastic Dual Small Outline)

### Green Product (RoHS compliant)

To meet the world-wide customer requirements for environmentally friendly products and to be compliant with government regulations the device is available as a green product. Green products are RoHS-Compliant (i.e. Pb-free finish on leads and suitable for Pb-free soldering according to IPC/JEDEC J-STD-020).

## 7 Application information

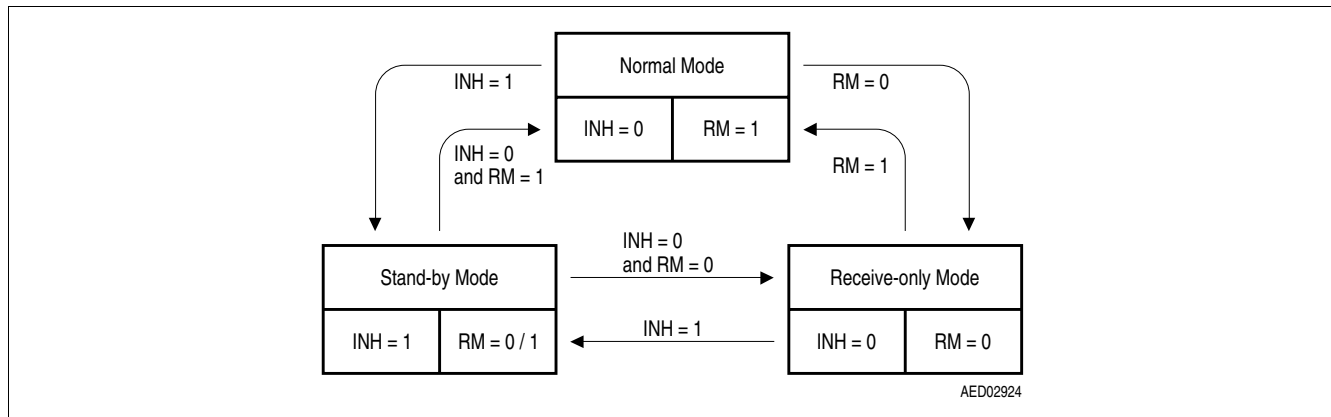


Figure 10 Mode state diagram TLE6250G

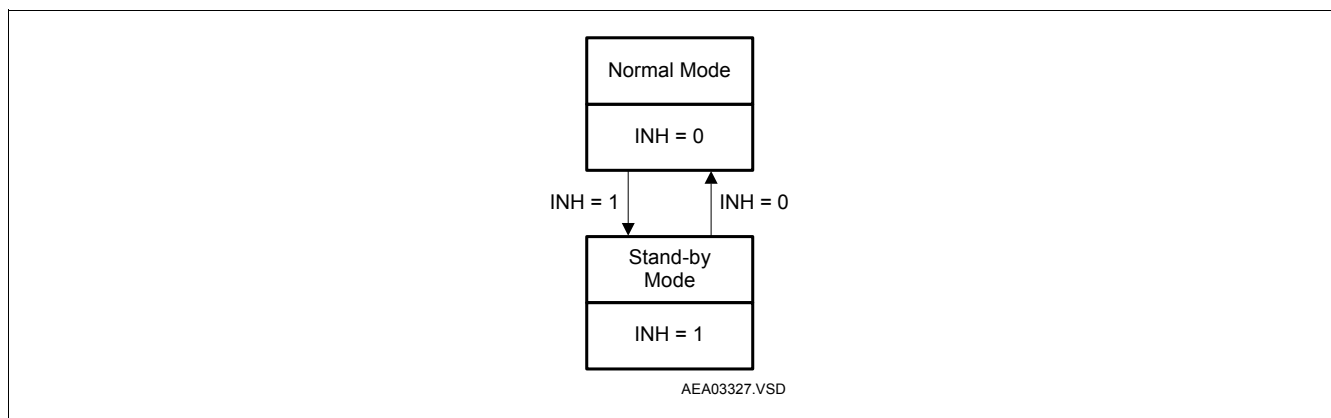


Figure 11 Mode state diagram TLE6250GV33

The TLE6250G offers three modes of operation (see [Figure 10](#)), controlled by the INH and RM pin. The TLE6250GV33 offers two modes of operation (see [Figure 11](#)), controlled by the INH pin respectively.

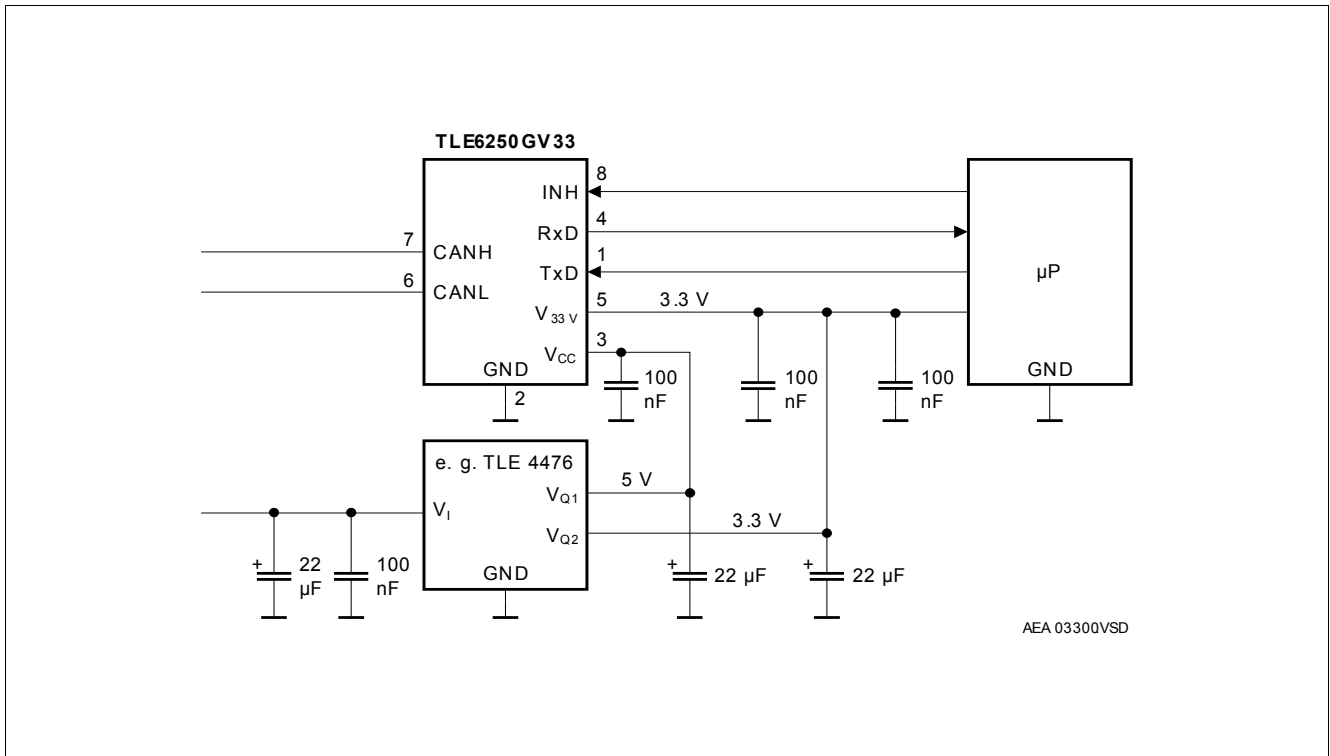
In normal mode the transceiver can receive and transmit messages. In receive-only mode the transceiver does not transmit signals at the TxD input to the CAN bus. Receive-only mode can be used for diagnostic purposes (to check the bus connections between the nodes) as well as to prevent the bus being blocked by a faulty permanent dominant TxD input signal. Stand-by mode is a low power mode that disables both the receiver and the transmitter.

If the receive-only feature is not used, then the RM pin must be left open. If stand-by mode is not used, then the INH pin must be connected to ground level in order to switch the TLE6250G to normal mode.

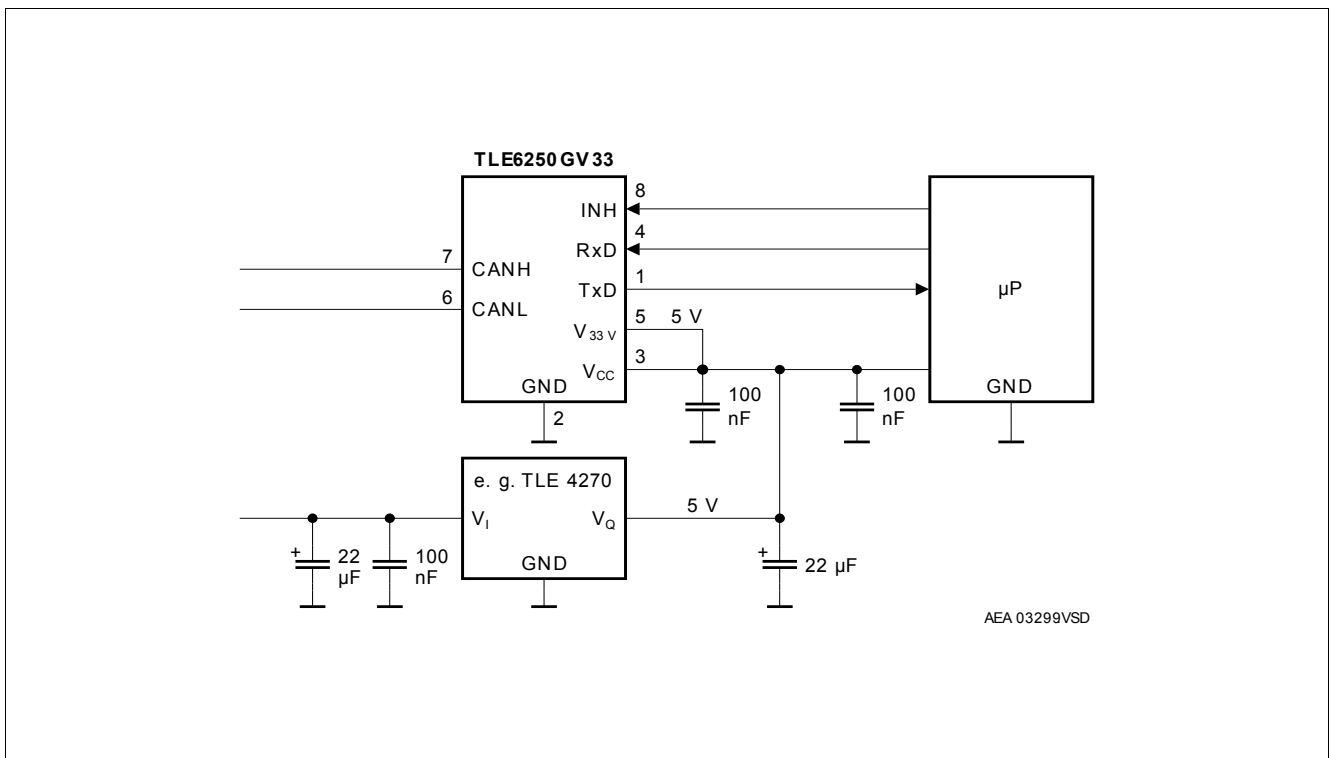
### Application information for the 3.3 V versions

The TLE6250GV33 can be used for both 3.3 V and 5 V microcontroller logic supply, see [Figure 12](#), [Figure 13](#) and [Figure 14](#). Do not connect external resistors between the power supply and the  $V_{33V}$  pin, because that may lead to a voltage drop at this pin.

**Application information**

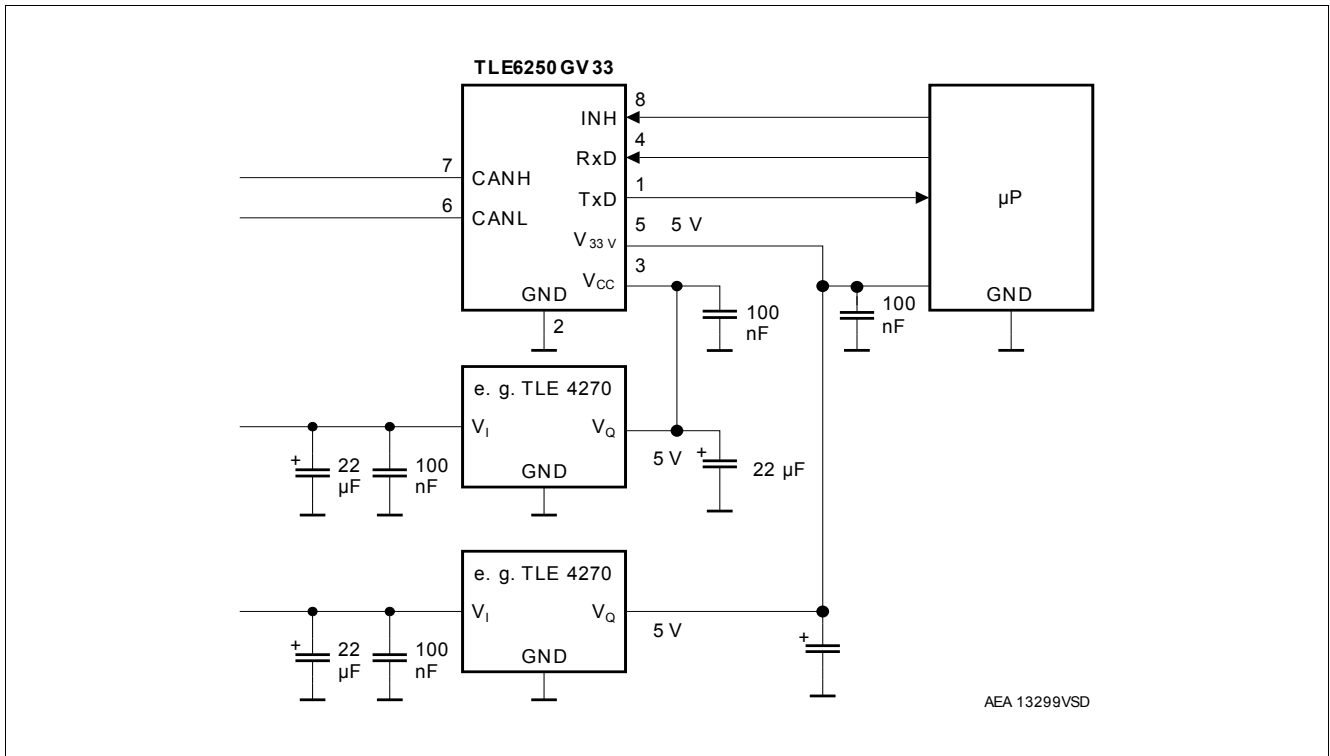


**Figure 12 Application circuit TLE6250GV33 used for 3.3 V logic**



**Figure 13 Application circuit TLE6250GV33 used for 5 V logic**

**Application information**



**Figure 14 Application circuit TLE6250GV33 used for 5 V logic**

**Revision history**

**8 Revision history**

<b>Revision</b>	<b>Date</b>	<b>Changes</b>
4.1	2017-03-15	<p>New style template.                      Editorial changes.                      Chapter „Overview“:</p> <ul style="list-style-type: none"> <li>• Table of device types and packages: Marking added</li> </ul> <p>Chapter „General product characteristics and electrical characteristics“:</p> <ul style="list-style-type: none"> <li>• Table 5: Propagation delay TxD-to-RxD “low” (recessive to dominant) Max. value updated, footnote added</li> <li>• Table 5: Propagation delay TxD-to-RxD “high” (dominant to recessive) Max. value updated, footnote added</li> <li>• Table 8: Propagation delay TxD-to-RxD “low” (recessive to dominant) Max. value updated, footnote added</li> <li>• Table 8: Propagation delay TxD-to-RxD “high” (dominant to recessive) Max. value updated, footnote added</li> </ul>
4.0	2008-04-28	<p>Changed symbol for the leakage current CANH/L:                      From <math>I_{CANH,IK}</math> to <math>I_{CANH/L,IK}</math>                      max. value for the parameter changed:                      Output current, <math>I_{CANH/L,IK}</math>, <math>V_{CC} = 0\text{ V}</math>, <math>V_{CANH} = V_{CANL} = 7\text{ V}</math>:                      From 300 <math>\mu\text{A}</math> to 400 <math>\mu\text{A}</math></p>

#### Trademarks of Infineon Technologies AG

$\mu$ HVIC™,  $\mu$ IPM™,  $\mu$ PFC™, AU-ConvertIR™, AURIX™, C166™, CanPAK™, CIPOS™, CIPURSE™, CoolDP™, CoolGaN™, COOLiR™, CoolMOS™, CoolSET™, CoolSiC™, DAVE™, DI-POL™, DirectFET™, DrBlade™, EasyPIM™, EconoBRIDGE™, EconoDUAL™, EconoPACK™, EconoPIM™, EiceDRIVER™, eupec™, FCOS™, GaNpowIR™, HEXFET™, HITFET™, HybridPACK™, iMOTION™, IRAM™, ISOFACE™, IsoPACK™, LEDriviR™, LITIX™, MIPAQ™, ModSTACK™, my-d™, NovalithIC™, OPTIGA™, OptiMOS™, ORIGA™, PowIRaudio™, PowIRstage™, PrimePACK™, PrimeSTACK™, PROFET™, PRO-SIL™, RASIC™, REAL3™, SmartLEWIS™, SOLID FLASH™, SPOC™, StrongIRFET™, SupIRBuck™, TEMPFET™, TRENCHSTOP™, TriCore™, UHVIC™, XHP™, XMC™.

Trademarks updated November 2015

#### Other Trademarks

All referenced product or service names and trademarks are the property of their respective owners.

**Edition 2017-03-15**

**Published by**

**Infineon Technologies AG**

**81726 Munich, Germany**

**© 2017 Infineon Technologies AG.**

**All Rights Reserved.**

**Do you have a question about any aspect of this document?**

**Email: [erratum@infineon.com](mailto:erratum@infineon.com)**

#### IMPORTANT NOTICE

The information given in this document shall in no event be regarded as a guarantee of conditions or characteristics ("Beschaffheitsgarantie").

With respect to any examples, hints or any typical values stated herein and/or any information regarding the application of the product, Infineon Technologies hereby disclaims any and all warranties and liabilities of any kind, including without limitation warranties of non-infringement of intellectual property rights of any third party.

In addition, any information given in this document is subject to customer's compliance with its obligations stated in this document and any applicable legal requirements, norms and standards concerning customer's products and any use of the product of Infineon Technologies in customer's applications.

The data contained in this document is exclusively intended for technically trained staff. It is the responsibility of customer's technical departments to evaluate the suitability of the product for the intended application and the completeness of the product information given in this document with respect to such application.

For further information on technology, delivery terms and conditions and prices, please contact the nearest Infineon Technologies Office ([www.infineon.com](http://www.infineon.com)).

#### WARNINGS

Due to technical requirements products may contain dangerous substances. For information on the types in question please contact your nearest Infineon Technologies office.

Except as otherwise explicitly approved by Infineon Technologies in a written document signed by authorized representatives of Infineon Technologies, Infineon Technologies' products may not be used in any applications where a failure of the product or any consequences of the use thereof can reasonably be expected to result in personal injury.



# Mouser Electronics

Authorized Distributor

Click to View Pricing, Inventory, Delivery & Lifecycle Information:

[Infineon:](#)

[TLE6250G V33](#) [TLE6250G](#)

## Данный компонент на территории Российской Федерации

### Вы можете приобрести в компании MosChip.

Для оперативного оформления запроса Вам необходимо перейти по данной ссылке:

<http://moschip.ru/get-element>

Вы можете разместить у нас заказ для любого Вашего проекта, будь то серийное производство или разработка единичного прибора.

В нашем ассортименте представлены ведущие мировые производители активных и пассивных электронных компонентов.

Нашей специализацией является поставка электронной компонентной базы двойного назначения, продукции таких производителей как XILINX, Intel (ex.ALTERA), Vicor, Microchip, Texas Instruments, Analog Devices, Mini-Circuits, Amphenol, Glenair.

Сотрудничество с глобальными дистрибьюторами электронных компонентов, предоставляет возможность заказывать и получать с международных складов практически любой перечень компонентов в оптимальные для Вас сроки.

На всех этапах разработки и производства наши партнеры могут получить квалифицированную поддержку опытных инженеров.

Система менеджмента качества компании отвечает требованиям в соответствии с ГОСТ Р ИСО 9001, ГОСТ РВ 0015-002 и ЭС РД 009

### Офис по работе с юридическими лицами:

105318, г.Москва, ул.Щербаковская д.3, офис 1107, 1118, ДЦ «Щербаковский»

Телефон: +7 495 668-12-70 (многоканальный)

Факс: +7 495 668-12-70 (доб.304)

E-mail: [info@moschip.ru](mailto:info@moschip.ru)

Skype отдела продаж:

moschip.ru

moschip.ru\_4

moschip.ru\_6

moschip.ru\_9