

PLEASE CHECK WWW.MOLEX.COM FOR LATEST PART INFORMATION

Part Number: [0471511061](#)
Status: **Active**
Overview: high definition multimedia interface hdmi
Description: 0.50mm (.020") Pitch HDMI* Receptacle, Right Angle, Front Solder Tab Length 1.80mm (.071"), Contact 0.76µm (30µ") Gold (Au) Plated, with Back Cover and Mylar, without Upper Flange, Tape and Reel Package, BlackHousing, Lead Free

Documents:

[3D Model](#) [Product Specification PS-47152-001 \(PDF\)](#)
[Drawing \(PDF\)](#) [RoHS Certificate of Compliance \(PDF\)](#)

General

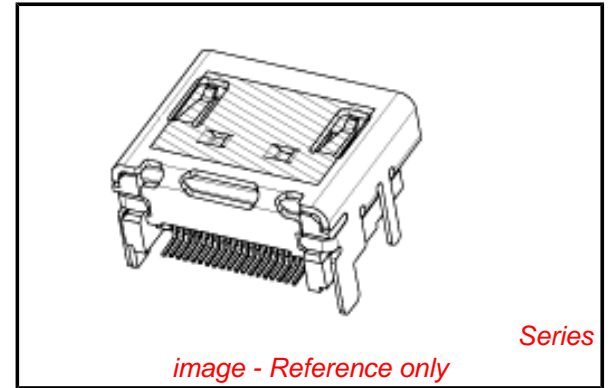
Product Family	I/O Connectors
Series	47151
Application	Wire-to-Board
Component Type	Receptacle
Overview	high definition multimedia interface hdmi
Product Name	HDMI
Type	N/A

Physical

Boot Color	N/A
Circuits (Loaded)	19
Color - Resin	Black
Gender	Male
Keying to Mating Part	Yes
Lock to Mating Part	Yes
Material - Metal	Copper Alloy
Material - Plating Mating	Gold
Material - Plating Termination	Tin-Bismuth
Number of Rows	2
Orientation	Right Angle
PCB Locator	No
PCB Retention	Yes
Packaging Type	Embossed Tape on Reel
Panel Mount	Without Flange
Pitch - Mating Interface (in)	0.020 In
Pitch - Mating Interface (mm)	0.50 mm
Pitch - Term. Interface (in)	0.020 In
Pitch - Term. Interface (mm)	0.50 mm
Plating min: Mating (µin)	30
Plating min: Mating (µm)	0.76
Plating min: Termination (µin)	40
Plating min: Termination (µm)	1
Polarized to Mating Part	Yes
Polarized to PCB	Yes
Ports	1
Temperature Range - Operating	-20°C to +85°C
Termination Interface: Style	Surface Mount
Waterproof / Dustproof	No
Wire Size AWG	N/A

Electrical

Current - Maximum per Contact	.5A
Shielded	Yes
Voltage - Maximum	40V DC



EU RoHS

**ELV and RoHS
Compliant**
**REACH SVHC
Contains SVHC: No**
**Halogen-Free
Status**

China RoHS



**Need more information on product
environmental compliance?**

Email productcompliance@molex.com
 For a multiple part number RoHS Certificate of Compliance, [click here](#)

Please visit the [Contact Us](#) section for any non-product compliance questions.

Search Parts in this Series

[47151Series](#)

Mates With

[88768](#) HDMI cable assembly, [88764](#) HDMI Adapter, [88767](#) HDMIAdapter

Solder Process Data

Duration at Max. Process Temperature (seconds)	2
Lead-free Process Capability	Reflow Capable (SMT only)
Max. Cycles at Max. Process Temperature	2
Process Temperature max. C	245

Material Info

Reference - Drawing Numbers

Packaging Specification	PK-47151-001
Product Specification	PS-47152-001
Sales Drawing	SD-47151-001

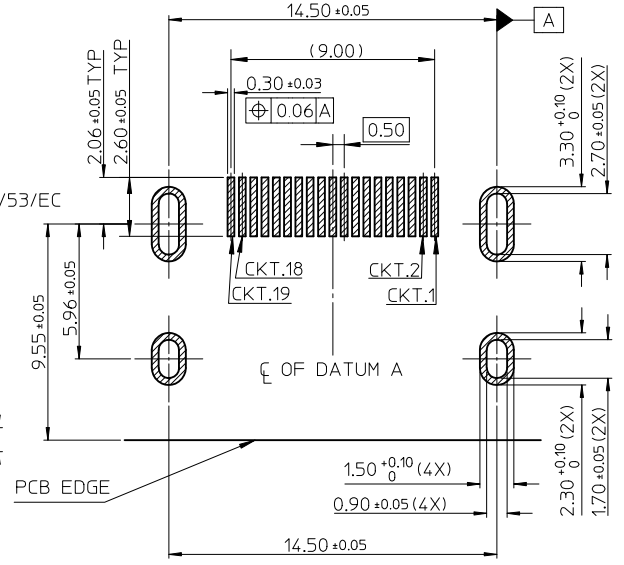
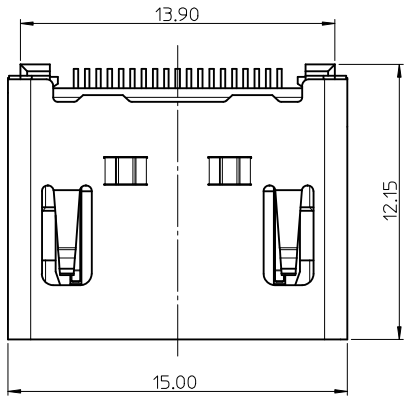
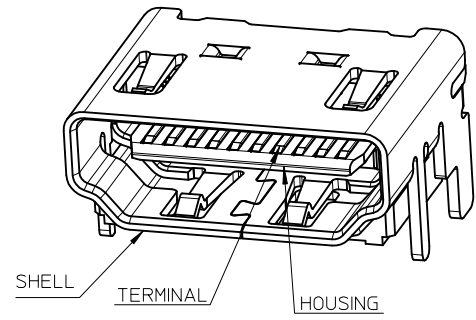
* High Definition Multimedia Interface and HDMI are trademarks of HDMI Licensing, LLC.

This document was generated on 05/19/2010

PLEASE CHECK WWW.MOLEX.COM FOR LATEST PART INFORMATION

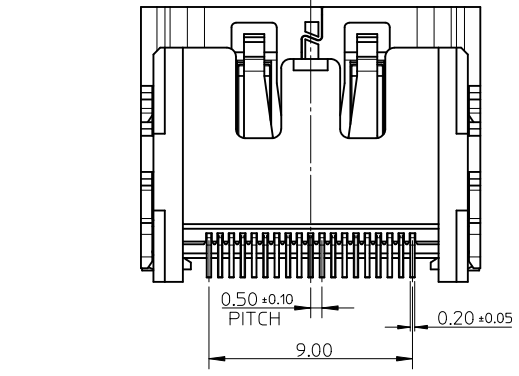
NOTES:

1. MATERIAL:
HOUSING: THERMOPLASTIC . COLOR: SEE TABLE.
SHELL: COPPER ALLOY.
TERMINAL: COPPER ALLOY.
2. PLATING:
TERMINAL:
CONTACT AREA: (1) 0.76 MICROMETER MIN. GOLD PLATING.
(2) 0.25 MICROMETER MIN. GOLD PLATING.
(3) GOLD FLASH.
(4) 0.375 MICROMETER MIN. GOLD PLATING.
SOLDER AREA: 1 MICROMETER MIN. TIN-BISMUTH ALLOY PLATED.
UNDER PLATE: 1.27 MICROMETER MIN. NICKEL.
SHELL: (a) 1.27 MICROMETER MIN. SOLDERABLE NICKEL PLATE OVERALL.
(b) GOLD FLASH PLATING OVER 1.27 MICROMETER MIN. NICKEL PLATING OVERALL.
3. COPLANARITY IS 0.1MM MAX.
4. PRODUCT SPECIFICATION REFER TO PS-47152-001.
5. PACKAGE SPECIFICATION FOR WITHOUT FLANGE REFER TO PK-47151-001.
6. PRODUCT COMPLIANT TO RoHS DEIRECTIVE 2002/95/EC AND ELV DIRECTIVE 2000/53/EC

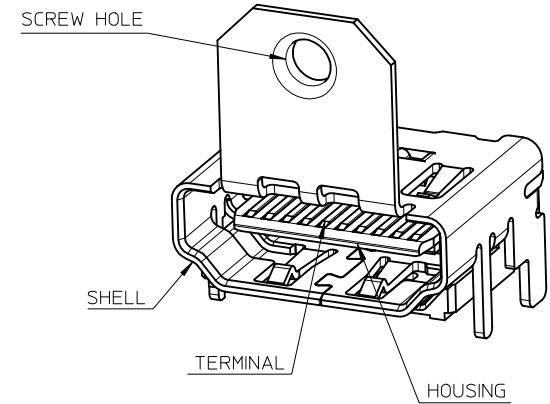


RECOMMENDED PCB LAYOUT
CONNECTOR SIDE

RECOMMENDED PANEL CUT OUT DIMENSION



ADD PART NUMBER EC NO: SH2010-0164 DRWN:XOZHANG 2009/10/20 CHKD:GLLI 2009/10/21 APPR:XJISONG 2009/11/30	QUALITY SYMBOLS F=0 F=0 F=0	GENERAL TOLERANCES (UNLESS SPECIFIED)		DIMENSION STYLE MM ONLY		SCALE 5:1	DESIGN UNITS METRIC	THIRD ANGLE PROJECTION
		4 PLACES ± --- ± --- 3 PLACES ± --- ± --- 2 PLACES ± 0.25 ± --- 1 PLACE ± 0.25 ± ---	mm INCH	DRAWN BY RZHANG	DATE 2004/07/20	TITLE 1.0 HDMI RIGHT ANGLE HEADER ASSEMBLY(19 PIN) LEAD FREE		
		ANGULAR ± 3 °		CHECKED BY GRMA	DATE 2004/07/20	MOLEX INCORPORATED		
		DRAFT WHERE APPLICABLE MUST REMAIN WITHIN DIMENSIONS		APPROVED BY YTYAP	DATE 2004/07/20	MATERIAL NO. SEE SHEET 6	DOCUMENT NO. SD-47151-001	
		SIZE A3	THIS DRAWING CONTAINS INFORMATION THAT IS PROPRIETARY TO MOLEX INCORPORATED AND SHOULD NOT BE USED WITHOUT WRITTEN PERMISSION					

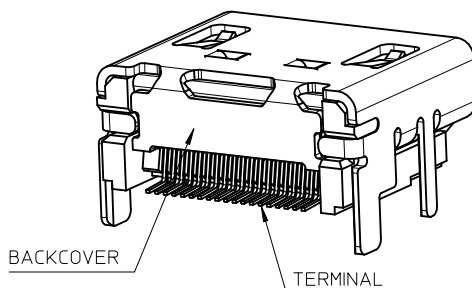
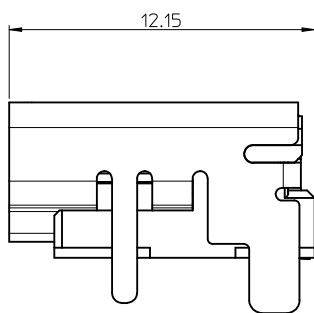
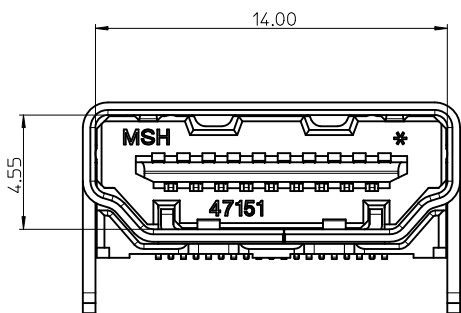


NOTES:

1. THE UNSPECIFIED DIMENSIONS REFER TO SHEET 1.
2. PACKAGE SPECIFICATION FOR WITH FLANGE REFER TO PK-47151-002.

SEE SHEET 1 EC NO: SH2010-0164 DRWN:XQZHANG 2009/10/20 CHKD:GLLI 2009/10/21 APPR:XJ.SONG 2009/11/20	QUALITY SYMBOLS	GENERAL TOLERANCES (UNLESS SPECIFIED)		DIMENSION STYLE MM ONLY		SCALE 5:1	DESIGN UNITS METRIC	THIRD ANGLE PROJECTION															
	$\nabla_A = 0$ $\nabla_C = 0$ $\nabla_P = 0$	<table border="1"> <thead> <tr> <th></th> <th>mm</th> <th>INCH</th> </tr> </thead> <tbody> <tr> <td>4 PLACES</td> <td>± ---</td> <td>± ---</td> </tr> <tr> <td>3 PLACES</td> <td>± ---</td> <td>± ---</td> </tr> <tr> <td>2 PLACES</td> <td>± 0.25</td> <td>± ---</td> </tr> <tr> <td>1 PLACE</td> <td>± 0.25</td> <td>± ---</td> </tr> </tbody> </table>		mm	INCH	4 PLACES	± ---	± ---	3 PLACES	± ---	± ---	2 PLACES	± 0.25	± ---	1 PLACE	± 0.25	± ---	ANGULAR ± 3 °	DRAWN BY RZHANG	DATE 2004/07/20	TITLE 1.0 HDMI RIGHT ANGLE HEADER ASSEMBLY(19 PIN) LEAD FREE	MOLEX INCORPORATED	
	mm	INCH																					
4 PLACES	± ---	± ---																					
3 PLACES	± ---	± ---																					
2 PLACES	± 0.25	± ---																					
1 PLACE	± 0.25	± ---																					
	DRAFT WHERE APPLICABLE MUST REMAIN WITHIN DIMENSIONS		SEE SHEET 6		DOCUMENT NO. SD-47151-001		SHEET NO. 2 OF 8																
	THIS DRAWING CONTAINS INFORMATION THAT IS PROPRIETARY TO MOLEX INCORPORATED AND SHOULD NOT BE USED WITHOUT WRITTEN PERMISSION																						

WITH BACK COVER



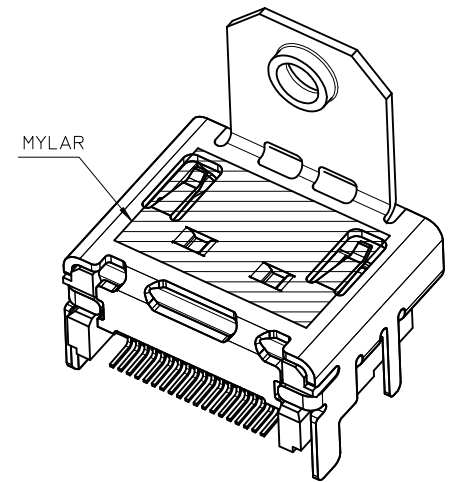
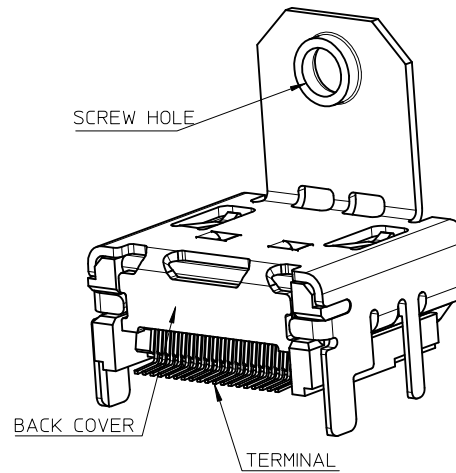
NOTES:

1. THE UNSPECIFIED DIMENSIONS REFER TO 47151-0001.
2. PACKAGE SPECIFICATION FOR WITHOUT FLANGE REFER TO PK-47151-001.

THIS IS ONLY FOR 47151-1061/1071/1081

SEE SHEET 1 EC NO: SH2010-0164 DRWN: XQZHANG CHKD: GLLI APPR: XJSONG	2009/10/20 2009/10/21 2009/11/30	DESCRIPTION REV	QUALITY SYMBOLS	GENERAL TOLERANCES (UNLESS SPECIFIED)	DIMENSION STYLE MM ONLY	SCALE 5:1	DESIGN UNITS METRIC	THIRD ANGLE PROJECTION
			$\nabla_A = 0$ $\nabla_B = 0$ $\nabla_C = 0$	mm INCH 4 PLACES ± --- ± --- 3 PLACES ± --- ± --- 2 PLACES ± 0.25 ± --- 1 PLACE ± 0.25 ± --- ANGULAR ± 3 °	DRAWN BY RZHANG CHECKED BY GRMA APPROVED BY YTYAP MATERIAL NO. SEE SHEET 7	DATE 2004/07/20 DATE 2004/07/20 DATE 2004/07/20	TITLE 1.0 HDMI RIGHT ANGLE HEADER ASSEMBLY(19 PIN) LEAD FREE	
			DRAFT WHERE APPLICABLE MUST REMAIN WITHIN DIMENSIONS	MOLEX INCORPORATED SD-47151-001	SHEET NO. 3 OF 8			
			THIS DRAWING CONTAINS INFORMATION THAT IS PROPRIETARY TO MOLEX INCORPORATED AND SHOULD NOT BE USED WITHOUT WRITTEN PERMISSION					

WITH BACK COVER



THIS IS ONLY FOR
47151-1025/1075/1085/6022/6032/1026/2062

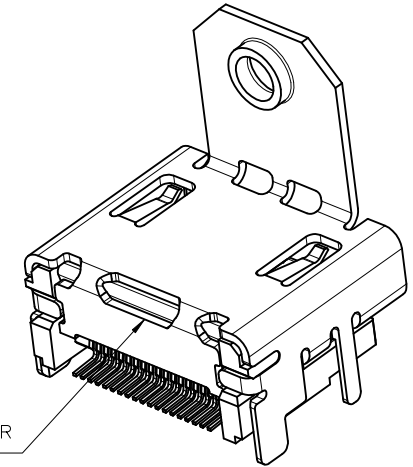
NOTES:

1. THE UNSPECIFIED DIMENSIONS REFER TO 47151-0002.
2. PACKAGE SPECIFICATION FOR WITH FLANGE:
 OPTION 1: 47151-1026/2062/6032 REFER TO PK-47151-005.
 OPTION 2: 47151-1102 REFER TO PK-47151-003.
 OPTION 3: OTHER PART NUMBER REFER TO PK-47151-002.

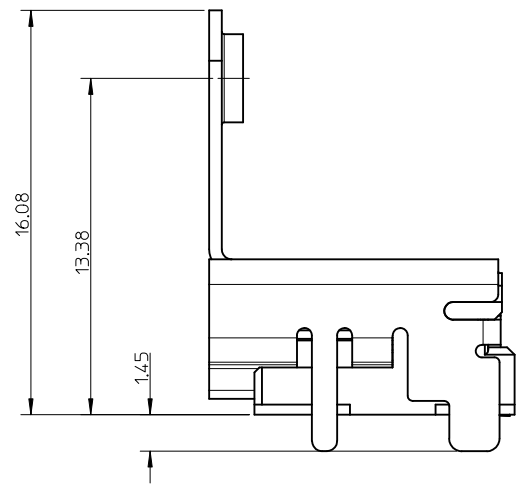
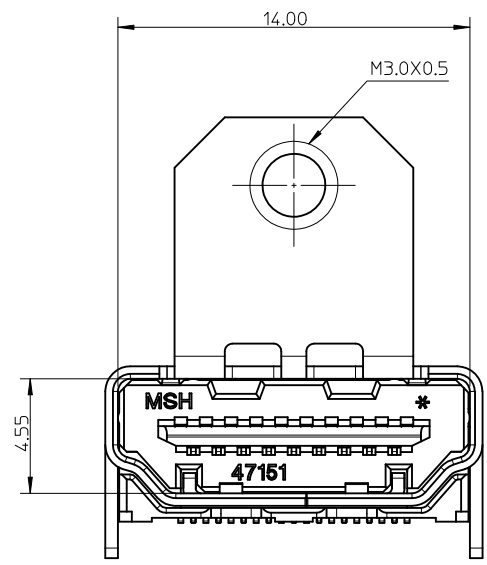
SEE SHEET 1 EC NO: SH2010-0164 DRW: XQZHANG CHK: GLLI APPR: XJSONG 2009/10/20 2009/10/21 2009/11/30	DESCRIPTION REV	QUALITY SYMBOLS	GENERAL TOLERANCES (UNLESS SPECIFIED)		DIMENSION STYLE MM ONLY		SCALE 5:1	DESIGN UNITS METRIC	THIRD ANGLE PROJECTION
		$\nabla_A = 0$ $\nabla_C = 0$ $\nabla_B = 0$	mm INCH 4 PLACES ± --- ± --- 3 PLACES ± --- ± --- 2 PLACES ± 0.25 ± --- 1 PLACE ± 0.25 ± --- ANGULAR ± 3 °	DRAWN BY RZHANG CHECKED BY GRMA APPROVED BY YTYAP MATERIAL NO. SEE SHEET 8	DATE 2004/07/20 DATE 2004/07/20 DATE 2004/07/20	TITLE 1.0 HDMI RIGHT ANGLE HEADER ASSEMBLY(19 PIN) LEAD FREE		MOLEX INCORPORATED DOCUMENT NO. SD-47151-001	SHEET NO. 4 OF 8
		DRAFT WHERE APPLICABLE MUST REMAIN WITHIN DIMENSIONS		SIZE A3		THIS DRAWING CONTAINS INFORMATION THAT IS PROPRIETARY TO MOLEX INCORPORATED AND SHOULD NOT BE USED WITHOUT WRITTEN PERMISSION			



WITHOUT TOP HOLE



BACK COVER



NOTES:
 1. THE UNSPECIFIED DIMENSIONS REFER TO 47151-1102.
 2. PACKAGE SPECIFICATION FOR WITH FLANGE REFER TO PK-47151-002.

SEE SHEET 1 IEC NO: SH2010-0164 DRWN: XZHUANG CH'KD: GLLI APPR: XJ.SONG	2009/10/20 2009/10/21 2009/11/30	DESCRIPTION REV	QUALITY SYMBOLS	GENERAL TOLERANCES (UNLESS SPECIFIED)	DIMENSION STYLE	SCALE	DESIGN UNITS	THIRD ANGLE PROJECTION			
			$\nabla_F = 0$ $\nabla_E = 0$ $\nabla_A = 0$	mm INCH 4 PLACES ± --- ± --- 3 PLACES ± --- ± --- 2 PLACES ± 0.25 ± --- 1 PLACE ± 0.25 ± --- ANGULAR ± 3 °	MM ONLY	5:1	METRIC	DRAWN BY: RZHANG CHECKED BY: GRMA APPROVED BY: YTYAP MATERIAL NO.	DATE: 2004/07/20 DATE: 2004/07/20 DATE: 2004/07/20	TITLE: 1.0 HDMI RIGHT ANGLE HEADER ASSEMBLY(19 PIN) LEAD FREE MOLEX INCORPORATED DOCUMENT NO. SD-47151-001	SHEET NO. 5 OF 8
			DRAFT WHERE APPLICABLE MUST REMAIN WITHIN DIMENSIONS				SEE SHEET 7	THIS DRAWING CONTAINS INFORMATION THAT IS PROPRIETARY TO MOLEX INCORPORATED AND SHOULD NOT BE USED WITHOUT WRITTEN PERMISSION			
							SIZE A3				

ASSEMBLY P/N	DIMENSION					FEATURE				HOUSING COLOUR	GOLD PLATING IN CONTACT AREA	SHELL PLATING	REMARK		
	DIM A	DIM B	DIM C	DIM D	DIM E	FLANGE	BACK COVER	TOP HOLES	MYLAR						
47151-0001	1.80	2.20	/	/	/	W/O	W/O	WITH	W/O	BLACK	SEE NOTE 2 (1)	SEE NOTE 2 (a)	FOR SHEET 1		
47151-0041															
47151-0051															
47151-0011															
47151-0071															
47151-0061															
47151-0021															
47151-0031															
47151-0101	1.45	1.45	/	/	/	W/O	W/O	WITH	W/O	BLACK	SEE NOTE 2 (1)	SEE NOTE 2 (a)		FOR SHEET 2	
47151-0141															
47151-0151															
47151-0111															
47151-0181															
47151-0161															
47151-0121															
47151-0131															
47151-0002	1.80	2.20	M3.0x0.5	16.08	13.38	WITH	W/O	WITH	W/O	BLACK	SEE NOTE 2 (1)	SEE NOTE 2 (a)	FOR SHEET 2		
47151-0042															
47151-0062															
47151-0012															
47151-0052															
47151-0072															
47151-0022															
47151-0032															
47151-0102	1.45	1.45	M3.0x0.5	16.08	13.38	WITH	W/O	WITH	W/O	BLACK	SEE NOTE 2 (1)	SEE NOTE 2 (a)		FOR SHEET 2	
47151-0142															
47151-0162															
47151-0112															
47151-0152															
47151-0172															
47151-0122															
47151-0132															
47151-6002	1.80	2.20	M3.0x0.5	14.25	11.28	WITH	W/O	WITH	W/O	BLACK	SEE NOTE 2 (1)	SEE NOTE 2 (a)	FOR SHEET 2		
47151-6062															
47151-6082															
47151-6102	1.45	1.45	M3.0x0.5	14.25	11.28	WITH	W/O	WITH	W/O	BLACK	SEE NOTE 2 (1)	SEE NOTE 2 (a)			FOR SHEET 2
47151-6172															
47151-6162															

SEE SHEET 1 EC NO: SH2010-0164 DRWN: XZHZHANG CHKD: GLLI APPR: XJ.SONG	2009/10/20 2009/10/21 2009/11/30	QUALITY SYMBOLS $F_A=0$ $F_C=0$ $F_P=0$	GENERAL TOLERANCES (UNLESS SPECIFIED)		DIMENSION STYLE MM ONLY		SCALE 1:1	DESIGN UNITS METRIC	THIRD ANGLE PROJECTION	
					DRAWN BY RZHANG	DATE 2004/07/20	TITLE 1.0 HDMI RIGHT ANGLE HEADER ASSEMBLY(19 PIN) LEAD FREE			
					CHECKED BY GRMA	DATE 2004/07/20	APPROVED BY YTYAP			
					ANGULAR $\pm 3^\circ$		MATERIAL NO. SEE TABLE	MOLEX INCORPORATED		DOCUMENT NO. SD-47151-001
DRAFT WHERE APPLICABLE MUST REMAIN WITHIN DIMENSIONS			THIS DRAWING CONTAINS INFORMATION THAT IS PROPRIETARY TO MOLEX INCORPORATED AND SHOULD NOT BE USED WITHOUT WRITTEN PERMISSION							

ASSEMBLY P/N	DIMENSION					FEATURE				HOUSING COLOUR	GOLD PLATING IN CONTACT AREA	SHELL PLATING	REMARK
	DIM A	DIM B	DIM C	DIM D	DIM E	FLANGE	BACK COVER	TOP HOLES	MYLAR				
47151-1001	1.80	2.20	/	/	/	W/O	WITH	WITH	W/O	BLACK	SEE NOTE 2 (1)	SEE NOTE 2 (a)	FOR SHEET 3
47151-1041											SEE NOTE 2 (2)		
47151-1051											SEE NOTE 2 (3)		
47151-1003											SEE NOTE 2 (4)		
47151-1061									SEE NOTE 2 (1)				
47151-1071									SEE NOTE 2 (2)				
47151-1081									SEE NOTE 2 (3)				
47151-1011									W/O	NATURE	SEE NOTE 2 (1)		
47151-1211											SEE NOTE 2 (2)		
47151-1311											SEE NOTE 2 (3)		
47151-1021											SEE NOTE 2 (1)		
47151-1091									BLACK	SEE NOTE 2 (1)	SEE NOTE 2 (b)		
47151-1031									SEE NOTE 2 (3)				
47151-1101									NATURE	SEE NOTE 2 (1)	SEE NOTE 2 (a)		
47151-1101	SEE NOTE 2 (1)												
47151-1141	SEE NOTE 2 (2)												
47151-1151	SEE NOTE 2 (3)												
47151-1111	1.45	1.45	/	/	/	W/O	WITH	WITH	W/O	NATURE	SEE NOTE 2 (1)	SEE NOTE 2 (b)	
47151-1161											SEE NOTE 2 (2)		
47151-1171											SEE NOTE 2 (3)		
47151-1121											SEE NOTE 2 (1)		
47151-1131	BLACK	SEE NOTE 2 (1)	SEE NOTE 2 (a)										
47151-1102	NATURE	SEE NOTE 2 (1)											
47151-7142	1.45	1.45	M3.0x0.5	16.08	13.38	WITH	WITH	W/O	W/O	BLACK	SEE NOTE 2 (1)	SEE NOTE 2 (a)	FOR SHEET 5
47151-7162											SEE NOTE 2 (2)		
											SEE NOTE 2 (3)		

SEE SHEET 1 EC NO: SH2010-0164 DRWN: XZHANG 2009/10/20 CHKD: GLLI 2009/10/21 APPR: XJISONG 2009/11/30	QUALITY SYMBOLS $\nabla_A = 0$ $\nabla_B = 0$ $\nabla_C = 0$	GENERAL TOLERANCES (UNLESS SPECIFIED)		DIMENSION STYLE MM ONLY		SCALE 1:1	DESIGN UNITS METRIC	THIRD ANGLE PROJECTION		
			mm	INCH	DRAWN BY RZHANG	DATE 2004/07/20	TITLE 1.0 HDMI RIGHT ANGLE HEADER ASSEMBLY(19 PIN) LEAD FREE			
		4 PLACES \pm ---	\pm ---	\pm ---	CHECKED BY GRMA	DATE 2004/07/20	MATERIAL NO. MOLEX INCORPORATED			
		3 PLACES \pm ---	\pm ---	\pm ---	APPROVED BY YTYAP	DATE 2004/07/20	DOCUMENT NO. SD-47151-001	SHEET NO. 7 OF 8		
2 PLACES \pm 0.25	\pm ---	\pm ---	DRAFT WHERE APPLICABLE MUST REMAIN WITHIN DIMENSIONS		SIZE A3	THIS DRAWING CONTAINS INFORMATION THAT IS PROPRIETARY TO MOLEX INCORPORATED AND SHOULD NOT BE USED WITHOUT WRITTEN PERMISSION				
1 PLACE \pm 0.25	\pm ---	\pm ---								
		ANGULAR \pm 3°								

ASSEMBLY P/N	DIMENSION					FEATURE				HOUSING COLOUR	GOLD PLATING IN CONTACT AREA	SHELL PLATING	REMARK							
	DIM A	DIM B	DIM C	DIM D	DIM E	FLANGE	BACK COVER	TOP HOLES	MYLAR											
47151-1002	1.80	2.20	M3.0x0.5	16.08	13.38	WITH	WITH	WITH	W/O	BLACK	SEE NOTE 2 (1) SEE NOTE 2 (2) SEE NOTE 2 (3) SEE NOTE 2 (4)	SEE NOTE 2 (a)	FOR SHEET 4							
47151-1042																				
47151-1052																				
47151-1062																				
47151-2062																				
47151-1012									W/O	NATURE	SEE NOTE 2 (1) SEE NOTE 2 (2) SEE NOTE 2 (3)									
47151-1072																				
47151-1082																				
47151-1022														BLACK	SEE NOTE 2 (1)					
47151-1032																NATURE	SEE NOTE 2 (1)			
47151-1102	1.45	1.45	M3.0x0.5	16.08	13.38	WITH	WITH	WITH	W/O	BLACK	SEE NOTE 2 (1) SEE NOTE 2 (2) SEE NOTE 2 (3) SEE NOTE 2 (1)									
47151-1142																				
47151-1152																				
47151-1112																				
47151-1162												NATURE		SEE NOTE 2 (2) SEE NOTE 2 (3)						
47151-1172																				
47151-1122									BLACK	SEE NOTE 2 (1)										
47151-1132											NATURE				SEE NOTE 2 (1)					
47151-1005									1.80	2.20	4-40				16.08	13.38	WITH	WITH	WITH	W/O
47151-1045																				
47151-1065																				
47151-1015																				
47151-1035	NATURE	SEE NOTE 2 (1) SEE NOTE 2 (2) SEE NOTE 2 (3)																		
47151-1055																				
47151-1025			WITH	BLACK	SEE NOTE 2 (1) SEE NOTE 2 (2) SEE NOTE 2 (3)															
47151-1075																				
47151-1085			W/O	BLACK	SEE NOTE 2 (1) SEE NOTE 2 (2) SEE NOTE 2 (3)															
47151-1026																				
47151-6012	1.80	2.20	M3.0x0.5	14.25	11.28	WITH	WITH	WITH	W/O	BLACK	SEE NOTE 2 (1) SEE NOTE 2 (2) SEE NOTE 2 (3)									
47151-6042																				
47151-6052																				
47151-6022												WITH		BLACK	SEE NOTE 2 (1) SEE NOTE 2 (3)					
47151-6032																				
47151-6112									W/O	BLACK	SEE NOTE 2 (1) SEE NOTE 2 (2) SEE NOTE 2 (3)									
47151-6142																				
47151-6152																				

SEE SHEET 1 EC NO: SH2010-0164 DRWN: XZHZHANG 2009/10/20 CH'KD: GLLI 2009/10/21 APPR: XJJSONG 2009/11/30	QUALITY SYMBOLS $F_{\Delta} = 0$ $F_{\square} = 0$ $F_{\nabla} = 0$	GENERAL TOLERANCES (UNLESS SPECIFIED)		DIMENSION STYLE MM ONLY		SCALE 1:1	DESIGN UNITS METRIC	THIRD ANGLE PROJECTION	
			mm INCH	DRAWN BY RZHANG	DATE 2004/07/20	TITLE 1.0 HDMI RIGHT ANGLE HEADER ASSEMBLY(19 PIN) LEAD FREE			
			4 PLACES ± --- ± --- 3 PLACES ± --- ± --- 2 PLACES ± 0.25 ± --- 1 PLACE ± 0.25 ± ---	APPROVED BY YTYAP	DATE 2004/07/20	MOLEX INCORPORATED			
			ANGULAR ± 3 °	MATERIAL NO. SEE TABLE	DOCUMENT NO. SD-47151-001	SHEET NO. 8 OF 8			

DRAFT WHERE APPLICABLE MUST REMAIN WITHIN DIMENSIONS

SIZE **A3** THIS DRAWING CONTAINS INFORMATION THAT IS PROPRIETARY TO MOLEX INCORPORATED AND SHOULD NOT BE USED WITHOUT WRITTEN PERMISSION

Данный компонент на территории Российской Федерации

Вы можете приобрести в компании MosChip.

Для оперативного оформления запроса Вам необходимо перейти по данной ссылке:

<http://moschip.ru/get-element>

Вы можете разместить у нас заказ для любого Вашего проекта, будь то серийное производство или разработка единичного прибора.

В нашем ассортименте представлены ведущие мировые производители активных и пассивных электронных компонентов.

Нашей специализацией является поставка электронной компонентной базы двойного назначения, продукции таких производителей как XILINX, Intel (ex.ALTERA), Vicor, Microchip, Texas Instruments, Analog Devices, Mini-Circuits, Amphenol, Glenair.

Сотрудничество с глобальными дистрибьюторами электронных компонентов, предоставляет возможность заказывать и получать с международных складов практически любой перечень компонентов в оптимальные для Вас сроки.

На всех этапах разработки и производства наши партнеры могут получить квалифицированную поддержку опытных инженеров.

Система менеджмента качества компании отвечает требованиям в соответствии с ГОСТ Р ИСО 9001, ГОСТ РВ 0015-002 и ЭС РД 009

Офис по работе с юридическими лицами:

105318, г.Москва, ул.Щербаковская д.3, офис 1107, 1118, ДЦ «Щербаковский»

Телефон: +7 495 668-12-70 (многоканальный)

Факс: +7 495 668-12-70 (доб.304)

E-mail: info@moschip.ru

Skype отдела продаж:

moschip.ru

moschip.ru_4

moschip.ru_6

moschip.ru_9