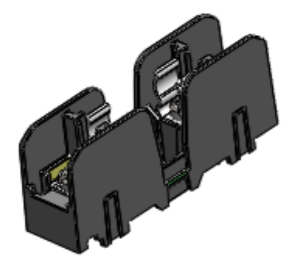
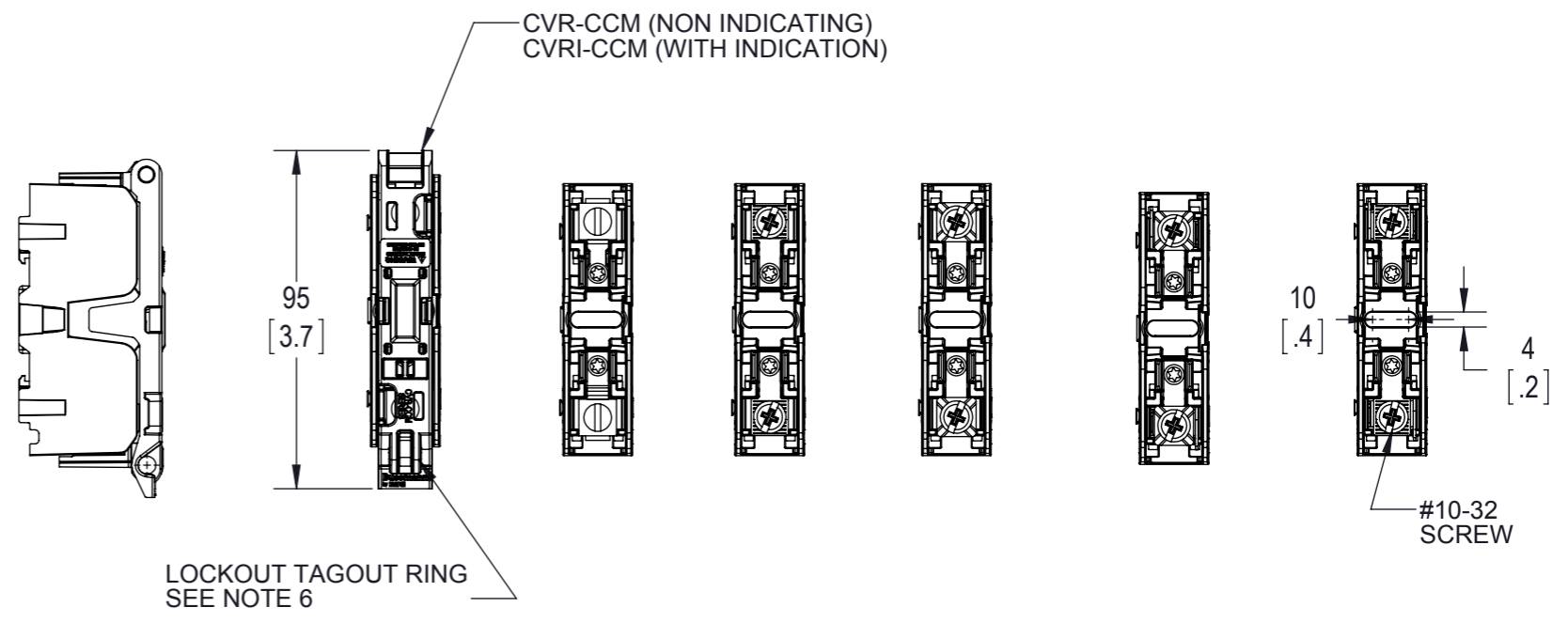
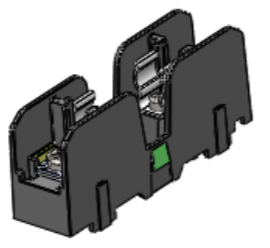


CATALOG NO.	TERMINAL TYPE	IP20 FINGER SAFE COVERS		NO. OF POLES
		W/O INDICATION	INDICATION	
BCM603-1SQ	SCREW W/ QUICK CONNECT			1
BCM603-2SQ	SCREW W/ QUICK CONNECT	CVR-CCM-QC SEE NOTES 7 & 9	CVRI-CCM-QC SEE NOTES 7 & 9	2
BCM603-3SQ	SCREW W/ QUICK CONNECT			3
BCM603-1PQ	PRESSURE PLATE W/ QUICK CONNECT			1
BCM603-2PQ	PRESSURE PLATE W/ QUICK CONNECT	CVR-CCM-QC SEE NOTES 7 & 9	CVRI-CCM-QC SEE NOTES 7 & 9	2
BCM603-3PQ	PRESSURE PLATE W/ QUICK CONNECT			3
BCM603-1S	SCREW			1
BCM603-2S	SCREW	CVR-CCM SEE NOTES 8 & 9	CVRI-CCM SEE NOTES 8 & 9	2
BCM603-3S	SCREW			3
BCM603-1P	PRESSURE PLATE			1
BCM603-2P	PRESSURE PLATE	CVR-CCM SEE NOTES 8 & 9	CVRI-CCM SEE NOTES 8 & 9	2
BCM603-3P	PRESSURE PLATE			3
BCM603-1C	BOX LUG			1
BCM603-2C	BOX LUG	CVR-CCM SEE NOTES 8 & 9	CVRI-CCM SEE NOTES 8 & 9	2
BCM603-3C	BOX LUG			3

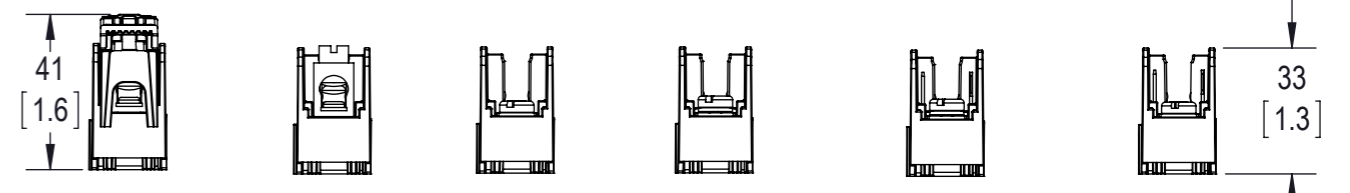
REVISIONS					
REV	ZONE	DESCRIPTION	DATE	ECN	BY
A		PRE-RELEASE	5/8/14	BU-SB14TBD	AVM



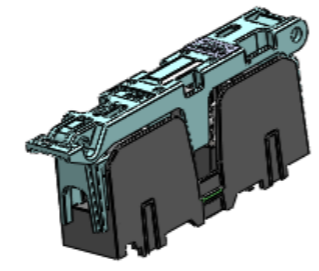
3D VIEW FOR BCM603-1S
SCALE NONE



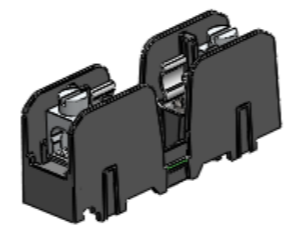
3D VIEW FOR BCM603-1P
SCALE NONE



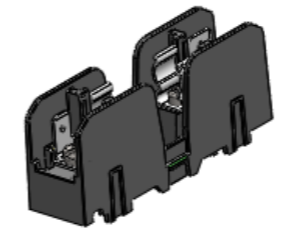
BCM603-1C WITH COVER BCM603-1C BCM603-1S BCM603-1P BCM603-1PQ BCM603-1SQ



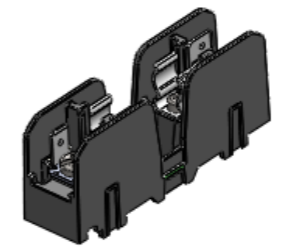
3D VIEW FOR BCM603-1C
WITH COVER CVRI-CCM
SCALE NONE



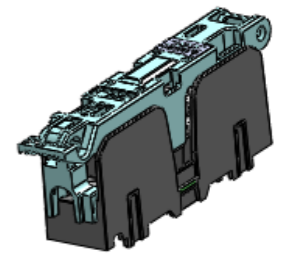
3D VIEW FOR BCM603-1C
SCALE NONE



3D VIEW FOR BCM603-1SQ
SCALE NONE



3D VIEW FOR BCM603-1PQ
SCALE NONE



3D VIEW FOR BCM603-1xQ
WITH COVER CVRI-CCM-QC
SCALE NONE

CUSTOMER PRINT

- NOTES:
- VOLTAGE RATING: 600V
 - AMPERAGE: 30A (20A QUICK CONNECT)
 - WITHSTAND RATING: 200kA
 - C: WIRE RANGE:
 - (1) CU 75/90C
 - 2-3 AWG = 50 LB-IN (5.6NM)
 - 4-6 AWG = 45 LB-IN (5.1NM)
 - 8-14 AWG = 35 LB-IN (4.0 NM)
 - (1) AL 75/90C
 - 2-6 AWG = 50 LB-IN (5.6NM)
 - 8 AWG = 40 LB-IN (4.5NM)
 - S/P/SQ/PQ WIRE RANGE: (1) CU 75/90C
 - 10-18 AWG = 20 LB-IN (2.3NM)
 - USE 4MM DIA. CABLE LOCK
 - CVR-CCM-QC AND CVRI-CC-QC
 - 10AWG MAX WIRE + QUICK CONNECT OPENINGS AT ENDS AND TOP
 - CVR-CCM AND CVRI-CCM
 - 4AWG MAX WIRE + QUICK CONNECT OPENINGS AT TOP ONLY
 - FITS WITH MOST RING AND FORK CONNECTORS
 - ALL COVERS FIT ON ALL BASES
 - RECOMMEND USING DIN-RAIL END STOPS FOR DIN RAIL MOUNTED APPLICATIONS
 - BUSSMANN PART NUMBERS BRKT-ND OR BRKT-NDSCREW2
 - USE BUSSMANN MARKER LABEL TM26CB
 - ALL DIMENSIONS ARE TYPICAL UNLESS OTHERWISE INDICATED

MODEL SOURCE DATA BMM603-XPQ	MODEL VERSION	GENERAL DRAWING PRACTICES IN ACCORDANCE WITH ASME - Y14.100-2004 DIMENSIONS AND TOLERANCES IN ACCORDANCE WITH ASME - Y14.5M-1994	APPROVALS D. McDowell A. VZM	DATE 5/08/2014 5/08/2014	
THIS DRAWING IS AN UNCONTROLLED COPY IF PRINTED OR SENT ELECTRONICALLY. DO NOT SCALE DRAWING.		UNLESS OTHERWISE SPECIFIED DIMENSIONS ARE IN MILLIMETERS TOLERANCES TO BE ONE PLACE X.X = ±0.3mm TWO PLACE X.X X = ±0.13mm ALL ANGLES X.X = ±1°	QUALITY ---	---	
EATON CORPORATION - CONFIDENTIAL AND PROPRIETARY NOTICE TO PERSONS RECEIVING THIS DOCUMENT AND/OR TECHNICAL INFORMATION THIS DOCUMENT, INCLUDING THE DRAWING AND INFORMATION CONTAINED THEREON IS CONFIDENTIAL AND IS THE EXCLUSIVE PROPERTY OF EATON CORPORATION AND IS MERELY ON LOAN AND SUBJECT TO RECALL BY EATON AT ANY TIME. BY TAKING POSSESSION OF THE DOCUMENT, THE RECIPIENT ACKNOWLEDGES AND AGREES THAT EATON AND THAT NO PORTION OF THIS DOCUMENT MAY BE COPIED OR OTHERWISE REPRODUCED WITHOUT THE PRIOR WRITTEN CONSENT OF EATON. IN THE CASE OF CONFLICTING CONTRACTUAL PROVISIONS, THIS NOTICE SHALL GOVERN THE STATUS OF THIS DOCUMENT.		SPECIAL CHARACTERISTIC $\diamond (0)$ SIGNIFICANT CHARACTERISTIC $\triangle (0)$	MATERIAL N/A	FINISH N/A	600V / 30A 10X38 CC FUSE BLOCK BCM603-SERIES-CP
© 2012 Eaton Corporation. All Rights Reserved.		THIRD ANGLE PROJECTION	SCALE: 1:2	SHEET 1 OF 3	REV A

8 7 6 5 4 3 2 1

F

E

D

C

B

A

F

E

D

C

B

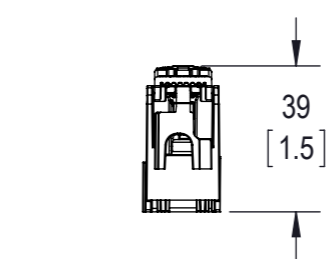
A



1 POLE
BCM603-1PQ SHOWN

2 POLE
BCM603-2PQ SHOWN

3 POLE
BCM603-3PQ SHOWN



BCM60C-1xQ
SHOWN WITH COVER

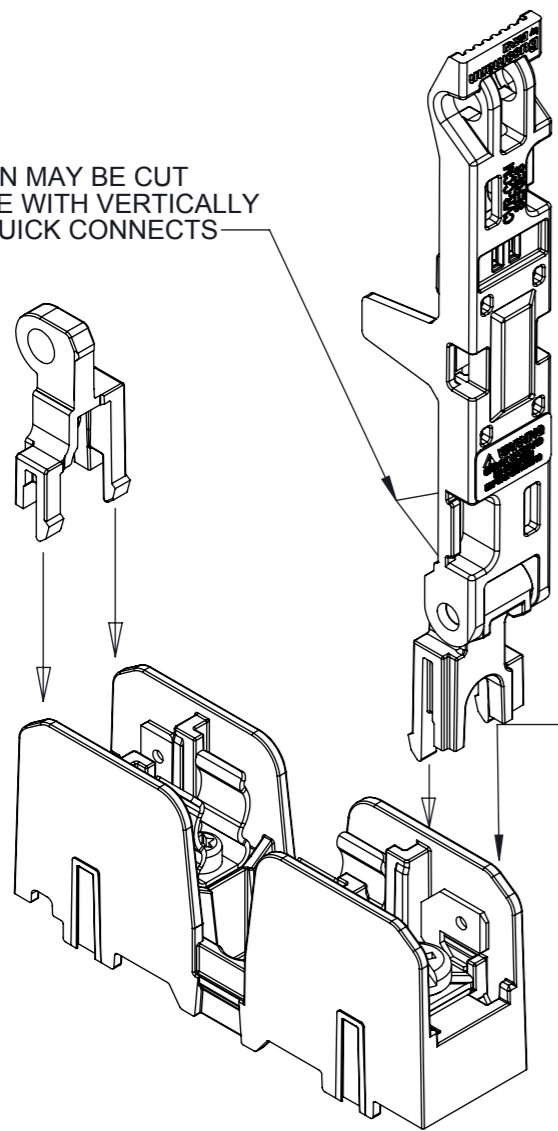
CUSTOMER PRINT

Bussmann
by **EATON**

TITLE 600V / 30A 10X38 CC FUSE BLOCK		
SIZE A3	DWG NO. BCM603-SERIES-CP	REV A
SCALE: 1:2	SHEET 2 OF 3	

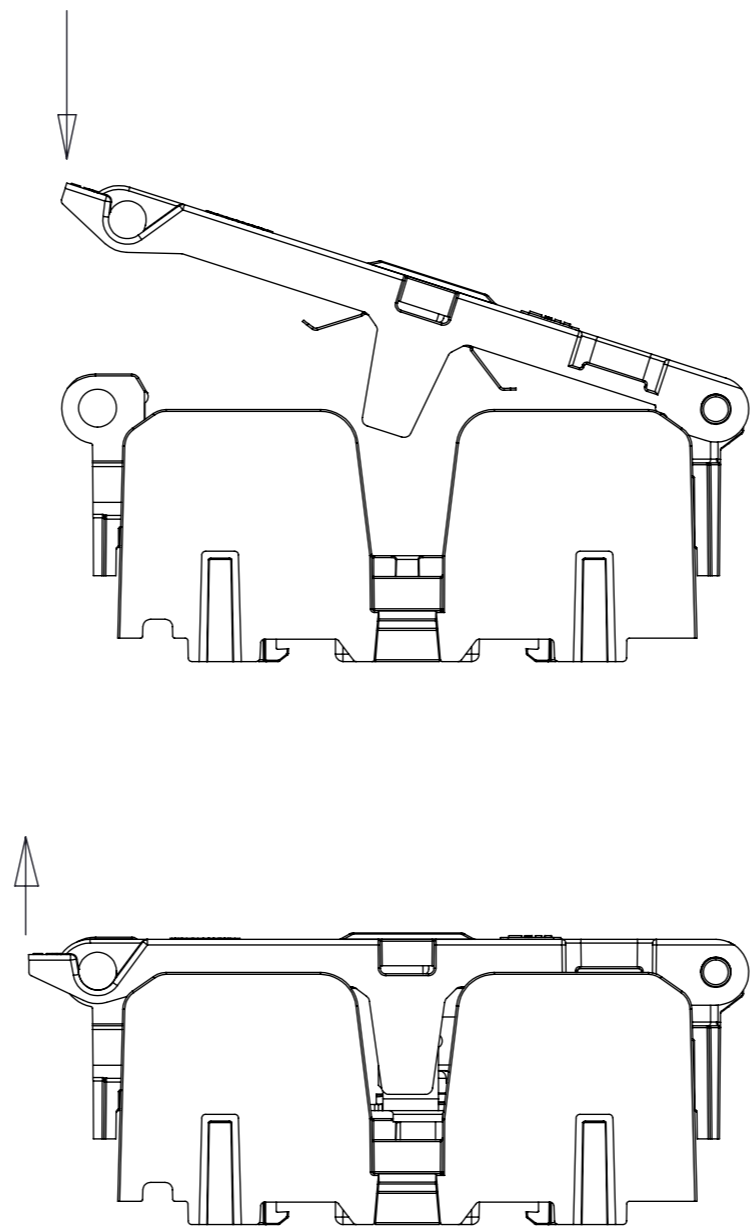
8 7 6 5 4 3 2 1

THIS SECTION MAY BE CUT OUT FOR USE WITH VERTICALLY ORIENTED QUICK CONNECTS

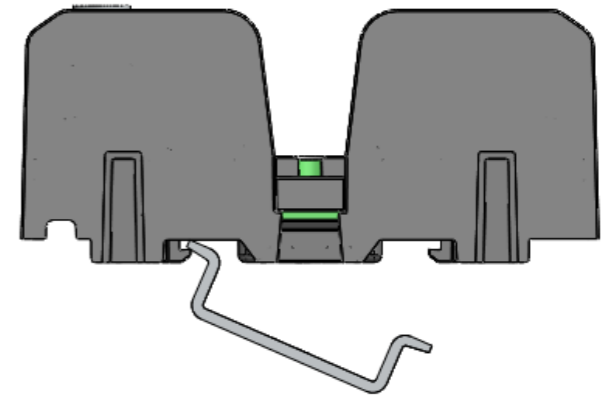


PUSH COVER PIVOT AND END PIECE SNAPS INTO SLOTS IN BASE. THE COVER MAY BE ORIENTED IN EITHER DIRECTION.

COVER INSTALLATION
ONCE INSTALLED THE COVER CANNOT BE REMOVED

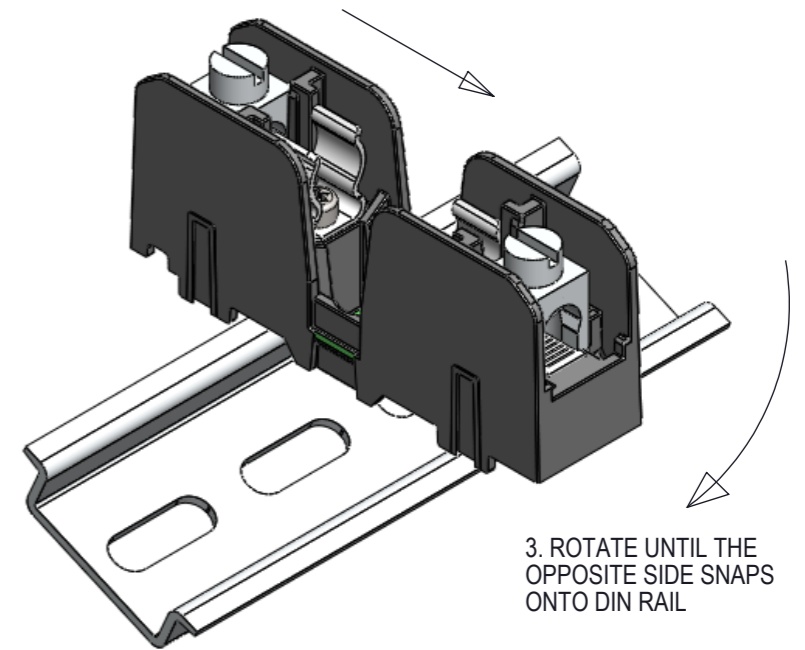


OPENING AND CLOSING
PUSH/PULL ON END TAB, ROTATE UNTIL CLOSED/OPEN



1. HOOK DIN RAIL SNAPS ON ONE SIDE OF THE DIN RAIL

2. PUSH DOWN TO DEFLECT THE SNAPS



3. ROTATE UNTIL THE OPPOSITE SIDE SNAPS ONTO DIN RAIL

INSTALLATION ON DIN RAIL
END STOPS MAY BE NECESSARY FOR SOME ASSEMBLY CONDITIONS - SEE NOTE 10

CUSTOMER PRINT

Bussmann
by **E.T.N.**

TITLE
600V / 30A 10X38 CC FUSE BLOCK

SIZE DWG NO. REV
A3 **BCM603-SERIES-CP** **A**

SCALE: 1:2 SHEET 3 OF 3

Данный компонент на территории Российской Федерации

Вы можете приобрести в компании MosChip.

Для оперативного оформления запроса Вам необходимо перейти по данной ссылке:

<http://moschip.ru/get-element>

Вы можете разместить у нас заказ для любого Вашего проекта, будь то серийное производство или разработка единичного прибора.

В нашем ассортименте представлены ведущие мировые производители активных и пассивных электронных компонентов.

Нашей специализацией является поставка электронной компонентной базы двойного назначения, продукции таких производителей как XILINX, Intel (ex.ALTERA), Vicor, Microchip, Texas Instruments, Analog Devices, Mini-Circuits, Amphenol, Glenair.

Сотрудничество с глобальными дистрибьюторами электронных компонентов, предоставляет возможность заказывать и получать с международных складов практически любой перечень компонентов в оптимальные для Вас сроки.

На всех этапах разработки и производства наши партнеры могут получить квалифицированную поддержку опытных инженеров.

Система менеджмента качества компании отвечает требованиям в соответствии с ГОСТ Р ИСО 9001, ГОСТ РВ 0015-002 и ЭС РД 009

Офис по работе с юридическими лицами:

105318, г.Москва, ул.Щербаковская д.3, офис 1107, 1118, ДЦ «Щербаковский»

Телефон: +7 495 668-12-70 (многоканальный)

Факс: +7 495 668-12-70 (доб.304)

E-mail: info@moschip.ru

Skype отдела продаж:

moschip.ru

moschip.ru_4

moschip.ru_6

moschip.ru_9