

ProtoBox-1593Q Kit (PCB+Box)



A Hammond 1593Q handheld plastic enclosure with battery compartment, packaged with a matching BPS ProtoBoard 2-hole per strip PCB.



BusBoard Prototype Systems - Built for designers

www.BusBoard.com sales@busboard.com

BPS-MAR-(KIT-1593Q)-001 Rev 4.00

Hammond Battery Holders (Sold Separately by Hammond)

Hammond Part #	Battery Holder Kit	Battery Holder Kit Includes
<p>BH1AAW</p> <p>Single AA Battery</p>		<ul style="list-style-type: none"> • Battery holder for one AA battery • Wire leads • Double sided tape backing • Battery NOT included
<p>BH2AAW</p> <p>Double AA Batteries</p>		<ul style="list-style-type: none"> • Battery holder for two AA batteries • Wire leads • Foam with adhesive tape on one side • Divider for 1599 series - NOT included • Battery NOT included
<p>BH1AAW</p> <p>Single AAA Battery</p>		<ul style="list-style-type: none"> • Battery holder for one AAA battery • Wire leads • Double sided tape backing • Battery NOT included
<p>BH2AAW</p> <p>Double AAA Batteries</p>		<ul style="list-style-type: none"> • Battery holder for two AAA batteries • Wire leads • Double sided tape backing • Batteries NOT included
<p>BH3AAW</p> <p>Triple AAA Batteries</p>		<ul style="list-style-type: none"> • Battery holder for three AAA batteries • Wire leads • Double sided tape backing (two strips) • Batteries NOT included
<p>BH4AAW</p> <p>Quad AAA Batteries</p>		<ul style="list-style-type: none"> • Battery holder for four AAA batteries • Wire leads • Foam with adhesive tape on one side • Divider for 1599 series - NOT included • Batteries NOT included
<p>BS61</p> <p>Single 9 Volt Battery</p>		<ul style="list-style-type: none"> • Battery holder for one 9V battery • Wire leads • Foam with adhesive tape on one side • Dividers for 1599 series - NOT included • Battery NOT included

A prototyping board designed for the Hammond 1593Q handheld enclosure with battery compartment.

Features

ProtoBoard saves time! The PCB is designed specifically for the Hammond 1593Q box. No cutting is required. The mounting holes are present in the right spots.

The convenient 2-hole ProtoBoard pattern provides an easy way to connect parts while maximizing usable board area.

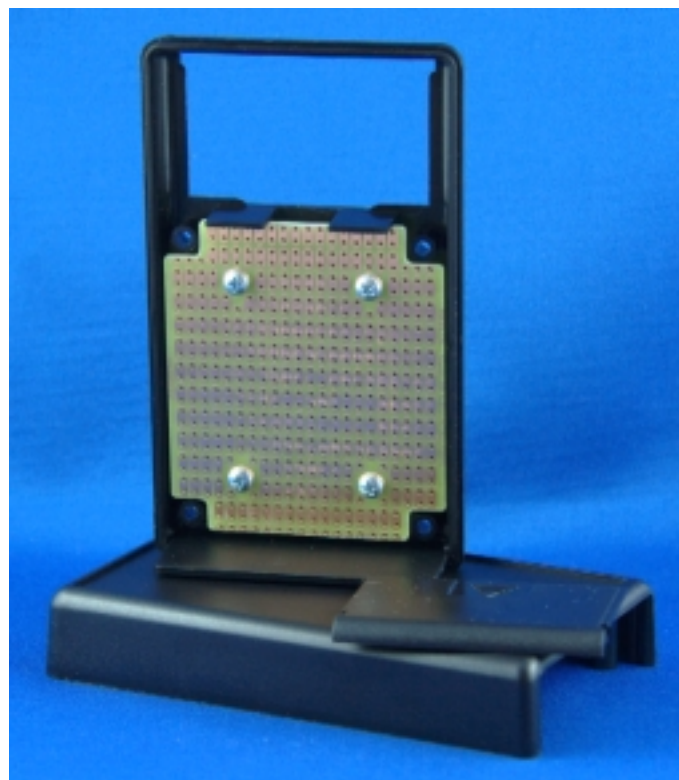
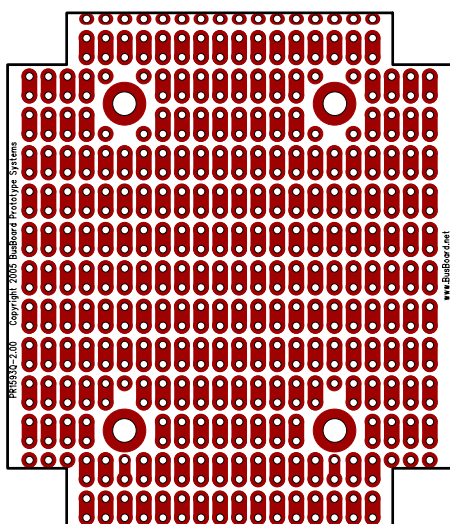
Lead free etched copper PCB with an anti-tarnish coating for easy soldering.

PCB Specifications

- High-quality FR4 glass epoxy board.
- Four 0.125" (1/8") mounting holes.
- Four 4-40 PCB mounting screws provided.
- Single sided, 1oz/ft² copper PCB
- 0.042" holes drilled on 0.1" centers
- PCB Size 2.4 x 2.7 in. (62 x 69mm)

Order Part# PR1593Q (for PCB only)

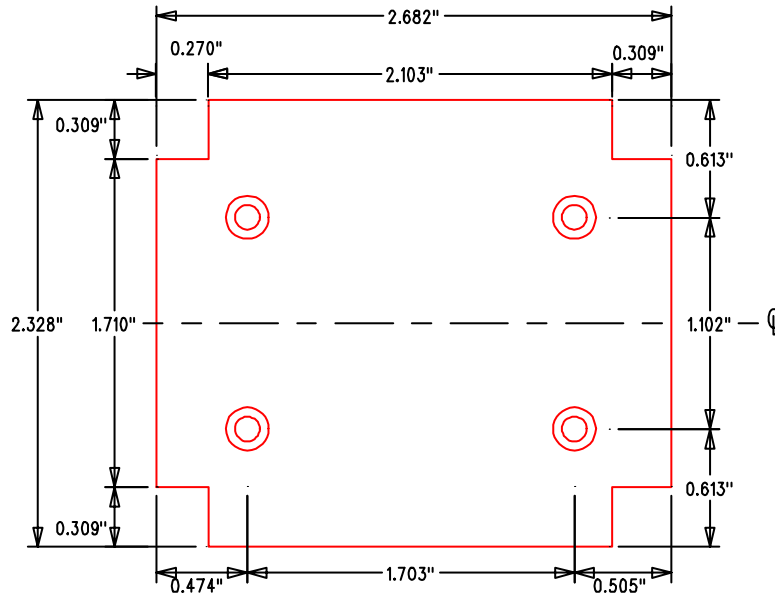
Board Layout (actual size)



PR1593Q Prototyping Board shown with the Hammond 1593QBK box (box not included).

To purchase the PCB + Box together, order BPS part# KIT-1593Q-BK

PCB Mechanical Dimensions



1. PCB is symmetrical along the centerline.
 2. All solder pads are located on a 0.100" grid.
 3. The mounting holes are NOT located on the 0.100" grid.
- PCB Design Copyright 2005 BusBoard Prototype Systems Ltd.

Hammond 1593Q Hand Held Case Features

Note: The box is **NOT** included with BPS part# PR1593Q.

The box is included with part# KIT-1593Q-BK.

Hand-held electronic instrument enclosure.

Built-in PCB standoffs.

1 removable end panel (included).

Battery compartment for 1xAA, 2xAA, 1 to 4 AAA, or 1x9V battery (battery connector or holder not included). Long life "three snap" battery door.

Recessed top for membrane overlay or keypad.

Lap joint construction provides protection against dust.

Black, gray, or blue general purpose ABS plastic.

Secured with self tapping screws (included).

Box Size 4.4 x 2.6 x 1.1 inches (122 x 66 x 28 mm)

To order the box by itself order Hammond part# 1593QBK (black), 1593QGY (gray) or 1593QTBU (translucent blue)

See <http://www.hammondmfg.com/dwg8.htm>
<http://www.hammondmfg.com/dwg8TBU.htm>

© 2013 BusBoard Prototype Systems Ltd.

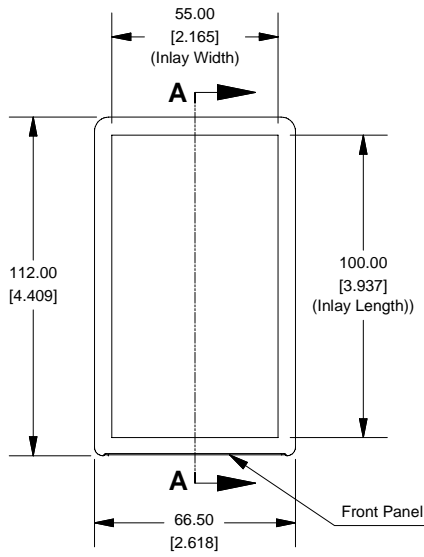


BusBoard Prototype Systems - Built for designers

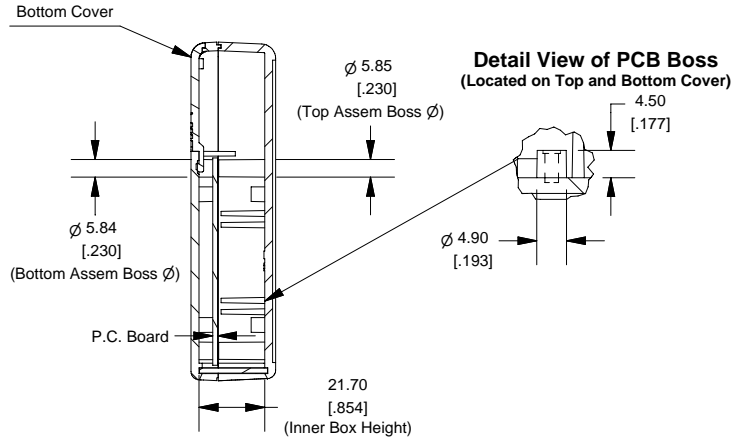
www.BusBoard.com sales@busboard.com

BPS-MAR-PR1593Q-001 Rev 4.00

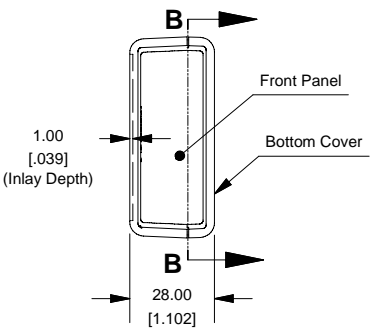
Top View of Assembly



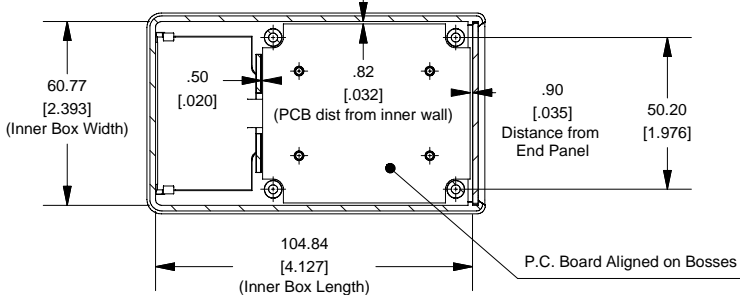
**SECTION A-A
(Side View Inside Assembly)**



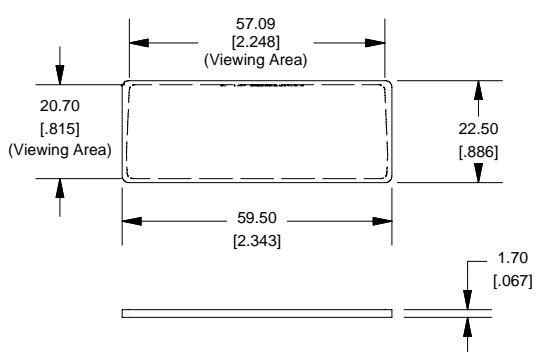
End View of Assembly



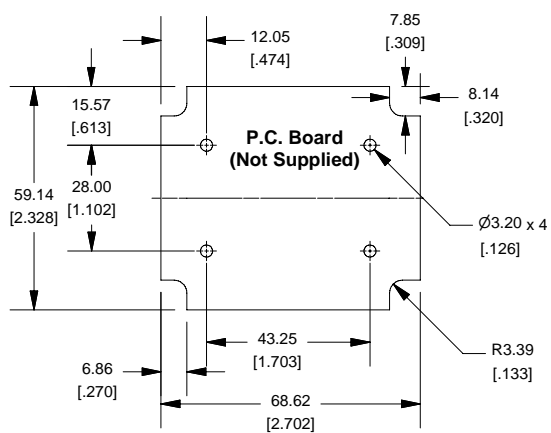
**SECTION B-B
(Inside of Bottom Cover)**



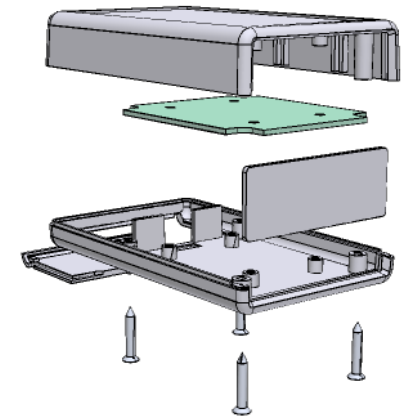
**Front/Rear Panel
(Dashed Line Indicates Viewing Area)**



Maximum P.C. Board Size



Hand Held Instrument (1593Q)



Enclosures can be Factory Modified (Milling, Drilling, Printing etc.)
Solid models of this enclosure available in STEP or IGES.
Contact Factory mjm@hammondmfg.com

NOTE	
Enclosure molded from GP ABS (UL94-HB) plastic.	
Purchased assembly includes top and bottom cover, front panel (plastic), battery door and 4 cover screws.	

PART NUMBERS	
1593Q Enclosure	
Black Enclosure	1593QBK
Grey Enclosure	1593QGY
ACCESSORIES	
Cover Screws (Pkg 100)	1593QS100 (Silver)
#4 x 3/4" self-tapping oval head (19.1mm)	1593QS100BK (Black)
P.C. Board Screws	1593ATS50 (Pkg 50)
#4 x 1/4" self-tapping (6.4mm)	1593ATS100 (Pkg 100)
Belt or Pocket Clip	1599CLIP (Black)
	1599CLIPGY (Grey)
Infrared Panels (Pkg 10)	1593DIR10

**HAMMOND
MANUFACTURING™**

1593Q

www.hammondmfg.com

Данный компонент на территории Российской Федерации

Вы можете приобрести в компании MosChip.

Для оперативного оформления запроса Вам необходимо перейти по данной ссылке:

<http://moschip.ru/get-element>

Вы можете разместить у нас заказ для любого Вашего проекта, будь то серийное производство или разработка единичного прибора.

В нашем ассортименте представлены ведущие мировые производители активных и пассивных электронных компонентов.

Нашей специализацией является поставка электронной компонентной базы двойного назначения, продукции таких производителей как XILINX, Intel (ex.ALTERA), Vicor, Microchip, Texas Instruments, Analog Devices, Mini-Circuits, Amphenol, Glenair.

Сотрудничество с глобальными дистрибьюторами электронных компонентов, предоставляет возможность заказывать и получать с международных складов практически любой перечень компонентов в оптимальные для Вас сроки.

На всех этапах разработки и производства наши партнеры могут получить квалифицированную поддержку опытных инженеров.

Система менеджмента качества компании отвечает требованиям в соответствии с ГОСТ Р ИСО 9001, ГОСТ РВ 0015-002 и ЭС РД 009

Офис по работе с юридическими лицами:

105318, г.Москва, ул.Щербаковская д.3, офис 1107, 1118, ДЦ «Щербаковский»

Телефон: +7 495 668-12-70 (многоканальный)

Факс: +7 495 668-12-70 (доб.304)

E-mail: info@moschip.ru

Skype отдела продаж:

moschip.ru

moschip.ru_4

moschip.ru_6

moschip.ru_9