

TLE4924x

Dynamic Differential Hall Effect Sensor

TLE4924C-2 E6547
TLE4924CB-2 E6547

Product Information

2013-10-04

Table of Contents

	Table of Contents	2
1	General	3
1.1	Target Application	3
1.2	Features	3
2	Functional Description	4
2.1	General	4
2.2	Sensor assembly	4
3	Specification	5
3.1	Operating Range	5
3.2	Electrical Characteristics	5
3.3	ESD Protection	5
3.4	Magnetic Characteristics	6
3.5	Operating Characertistics	6
4	Package Information	7
4.1	Application Example	7
4.2	Gear Tooth Sensing	7
4.3	Package Information	8

1 General



1.1 Target Application

The TLE4924 is an active Hall sensor suited to detecting the motion and position of ferromagnetic or permanent magnet targets. An additional self-calibration module is implemented to achieve optimum accuracy during normal running operation. The device comes in a 3-pin package providing pins for the supply voltage and an open drain output. Infineon also offers customers the possibility to purchase sensors with already attached back bias magnets (TLE4924CB-2 E6547).

1.2 Features

- High sensitivity
- Single chip solution
- Symmetrical thresholds
- High resistance to Piezo effects
- South and north pole pre-induction possible
- Low cut-off frequency
- Digital output signal
- Advanced performance through dynamic self calibration principle
- Wide operating temperature range
- Fast start-up time
- Large operating air gaps
- Reverse voltage protection on V_S pin
- Short-circuit and overtemperature protection of output
- Digital output signal (voltage interface)
- Integrated back bias magnet as an option
- Module style package with two integrated capacitors:
 - 4.7 nF between Q and GND
 - 47 nF between V_S and GND: Needed for micro cuts in power supply

Type	Order Code	Marking	Package
TLE4924C-2 E6547	SP000718250	24D82	PG-SSO-3-92
TLE4924CB-2 E6547	SP000913548	924D00	PG-SSOM-3-11

2 Functional Description

2.1 General

The differential Hall sensor IC detects the motion and position of ferromagnetic and permanent magnet structures by measuring the differential flux density of the magnetic field. To detect ferromagnetic objects the magnetic field must be provided by a back biasing permanent magnet (south or north pole of the magnet attached to the rear unmarked side of the IC package).

Offset cancellation is achieved by advanced digital signal processing. Immediately after power-on, motion is detected (start-up mode). After a few transitions, the sensor has finished self-calibration and switches to a high accuracy mode (running mode). In running mode, switching occurs at the zero crossing points of the magnetic signal. This zero crossing is found by calculating the arithmetic mean of the maximum and minimum value of the magnetic differential signal (ΔB). ΔB is defined as the field difference between Hall plate 1 and Hall plate 2. See Figure 2-2.

2.2 Sensor assembly

Sensor and back bias magnet can be applied in the following ways:

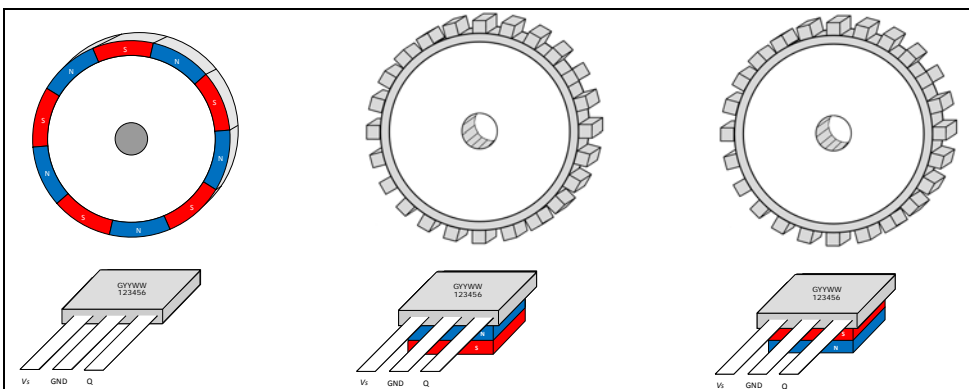


Figure 2-1 Sensor assembly

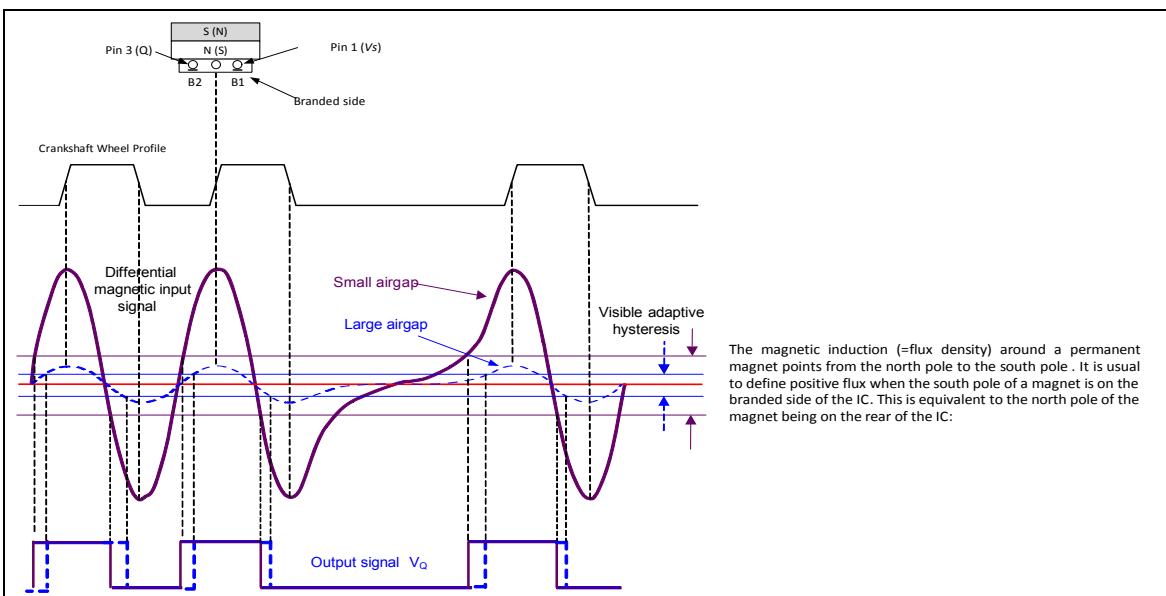


Figure 2-2 System operation with visible adaptive hysteresis

3 Specification

3.1 Operating Range

Table 3-1 Operating Range

Parameter	Symbol	Values			Unit	Note / Test Condition
		Min.	Typ.	Max.		
Supply voltage	V_S	3.2		26	V	time limited with $R_{Series} \geq 200 \Omega$
Continuous output OFF voltage	V_Q			18	V	time limited
Continuous output ON current	I_Q			20	mA	$V_{Qmax} = 0.6 V$
Operation junction temperature	T_j	-40		175	°C	time limited

3.2 Electrical Characteristics

Table 3-2 Electrical Characteristics

Parameter	Symbol	Values			Unit	Note / Test Condition
		Min.	Typ.	Max.		
Supply current	I_S		6.8		mA	–
Output saturation voltage	V_{Qsat}		0.25		V	$I_Q = 20 mA$
Output rise time	t_r		12		μs	$V_{Load} = 4.5$ to $24 V$ $R_{Load} = 1.2 k\Omega$ $C_{Load} = 4.7 nF$ included in package.
Output fall time	t_f		0.9		μs	$V_{Load} = 5 V$ $R_{Load} = 1.2 k\Omega$ $C_{Load} = 4.7 nF$ included in package.
Delay time	t_d		12.5		μs	
Frequency range	f		–	8	kHz	

3.3 ESD Protection

Table 3-3 ESD Protection

Parameter	Symbol	Values			Unit	Note / Test Condition
		Min.	Typ.	Max.		
ESD Protection PG-SSO-3-92	V_{ESD}	–	–	± 6	kV	According to standard EIA/JESD22-A114-B Human Body Model (HBM $1500 \Omega / 100 pF$).

3.4 Magnetic Characteristics

Table 3-4 Magnetic Characteristics in Running Mode

Parameter	Symbol	Values			Unit	Note / Test Condition
		Min.	Typ.	Max.		
Minimum signal amplitude	$ \Delta B_{\min} $		0.75		mT	

3.5 Operating Characertistics

Table 3-5 Operating Characteristics - TLE4924CB-2 E6547

Parameter	Symbol	Values			Unit	Remarks
		min	typ	max		
Operational airgap	AG	0.5			mm	Valid in running mode, measured from sensor housing (branded side) to target tooth. Valid at 25°C & 0h. No missing output pulses.
Phase jitter	ϕ_{jitter}	0.35		1.35	°crank	Output falling edge 360° repeatability, 1000 rotations, 3 sigma value, min. input signal size 10 mT _{pp}

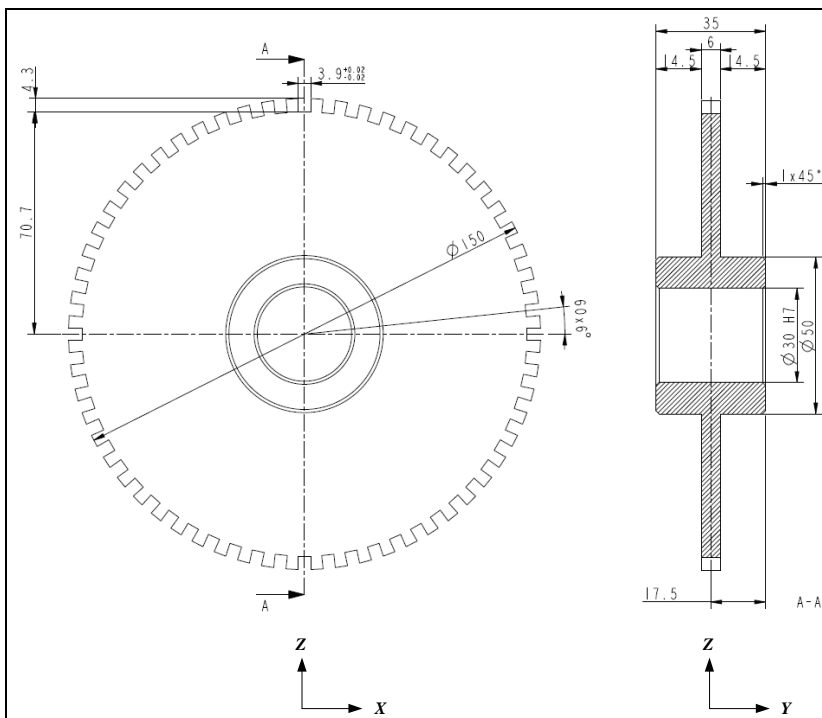


Figure 3-1 Reference target wheel - TLE4924CB-2 E6547

Table 3-6 Reference target wheel geometry - TLE4924CB-2 E6547

Parameter	Symbol	Typ value	Unit	Remarks
Outside diameter	d	150	mm	
Number of teeth	Z	60	-	
Pitch Ratio		50:50	%	
Material				ST37

4 Package Information

4.1 Application Example

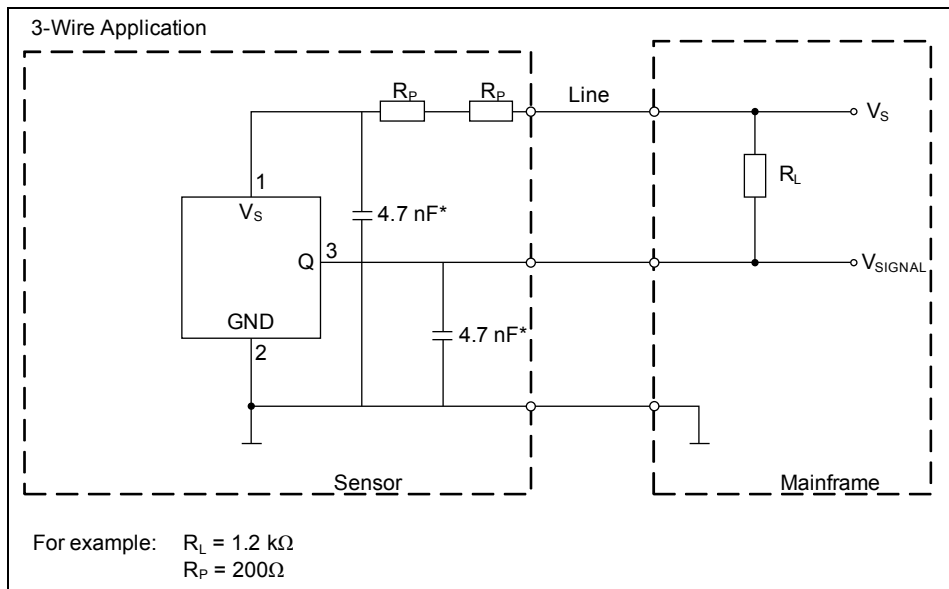


Figure 4-1 TLE4924 Application Circuits (*capacitors included in package)

4.2 Gear Tooth Sensing

In the case of ferromagnetic toothed wheel applications, the IC must be biased by the south or north pole of a permanent magnet which should cover both Hall probes (e.g. a SmCO5 magnet (Vacuumschmelze VX145) with dimensions 8 mm x 5 mm x 3 mm).

The maximum air gap depends on:

- The magnetic field strength (magnet used; pre-induction).
- The toothed wheel that is used (dimensions, material, etc.; resulting differential field).

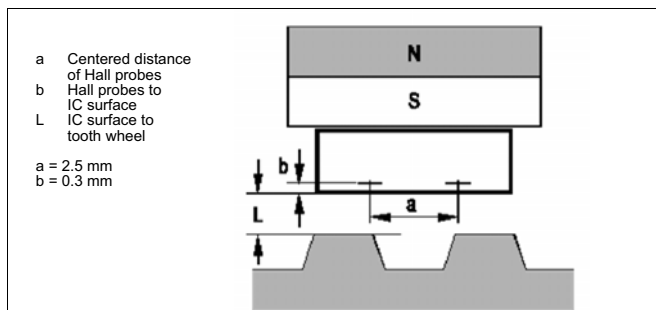


Figure 4-2 Sensor Spacing

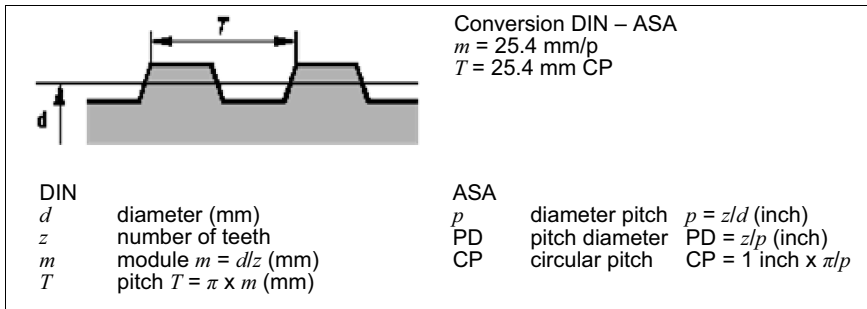


Figure 4-3 Toothed Wheel Dimensions

4.3 Package Information

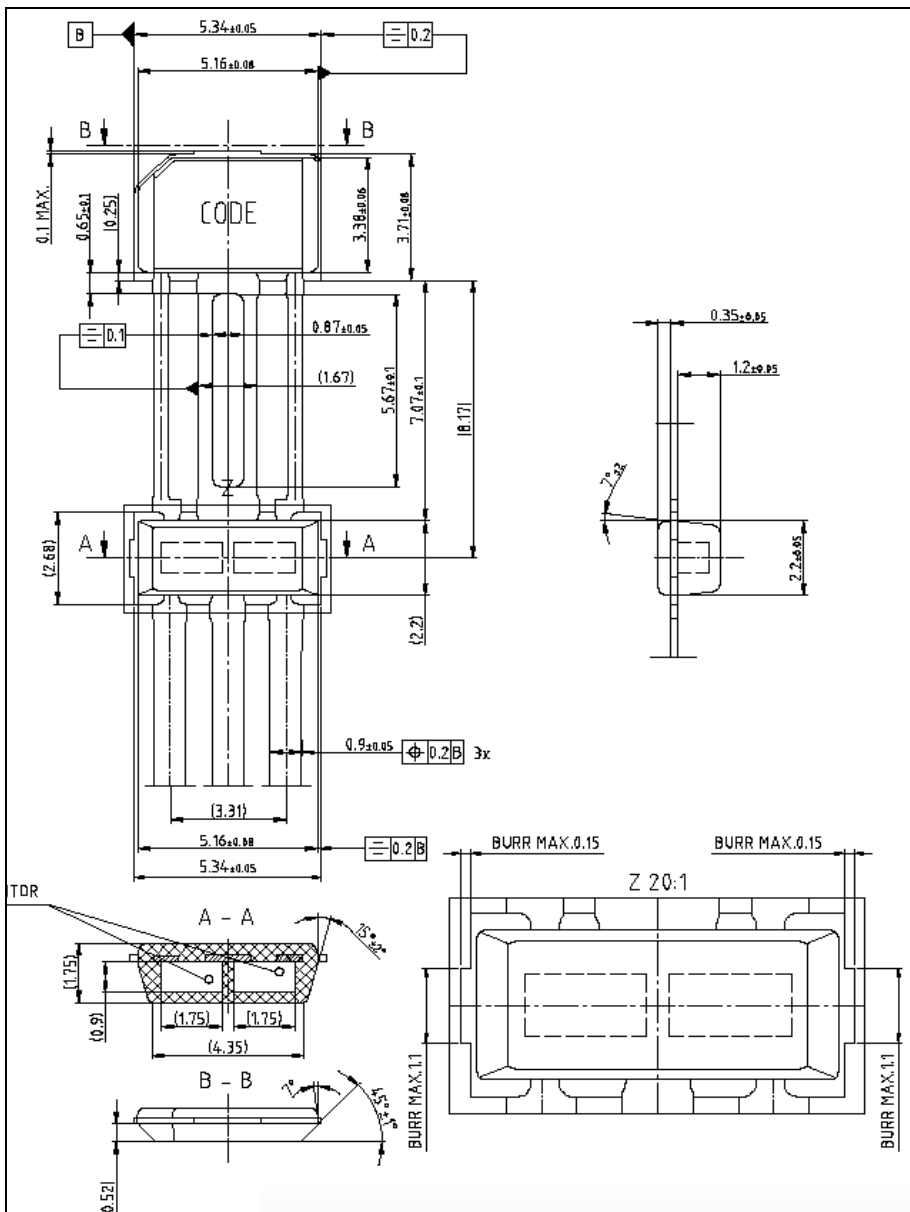


Figure 4-4 Package Dimensions of PG-SSOM-3-11 (Plastic Green Single Small Outline)

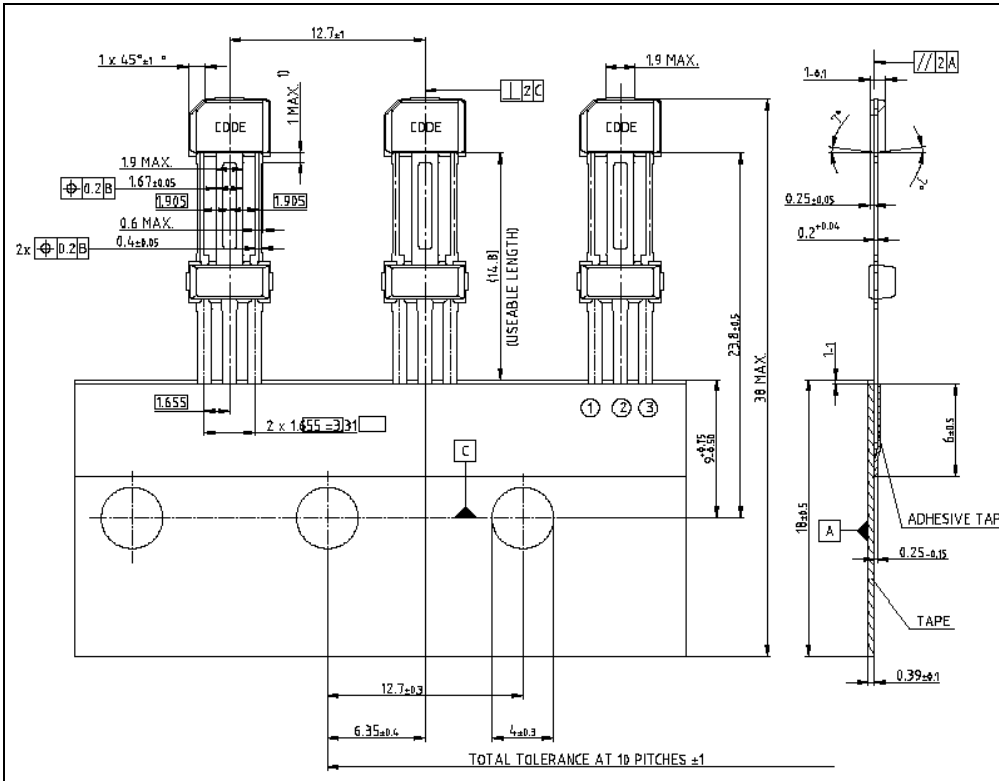


Figure 4-5 Tape Loading Orientation in PG-SSOM-3-11 Package

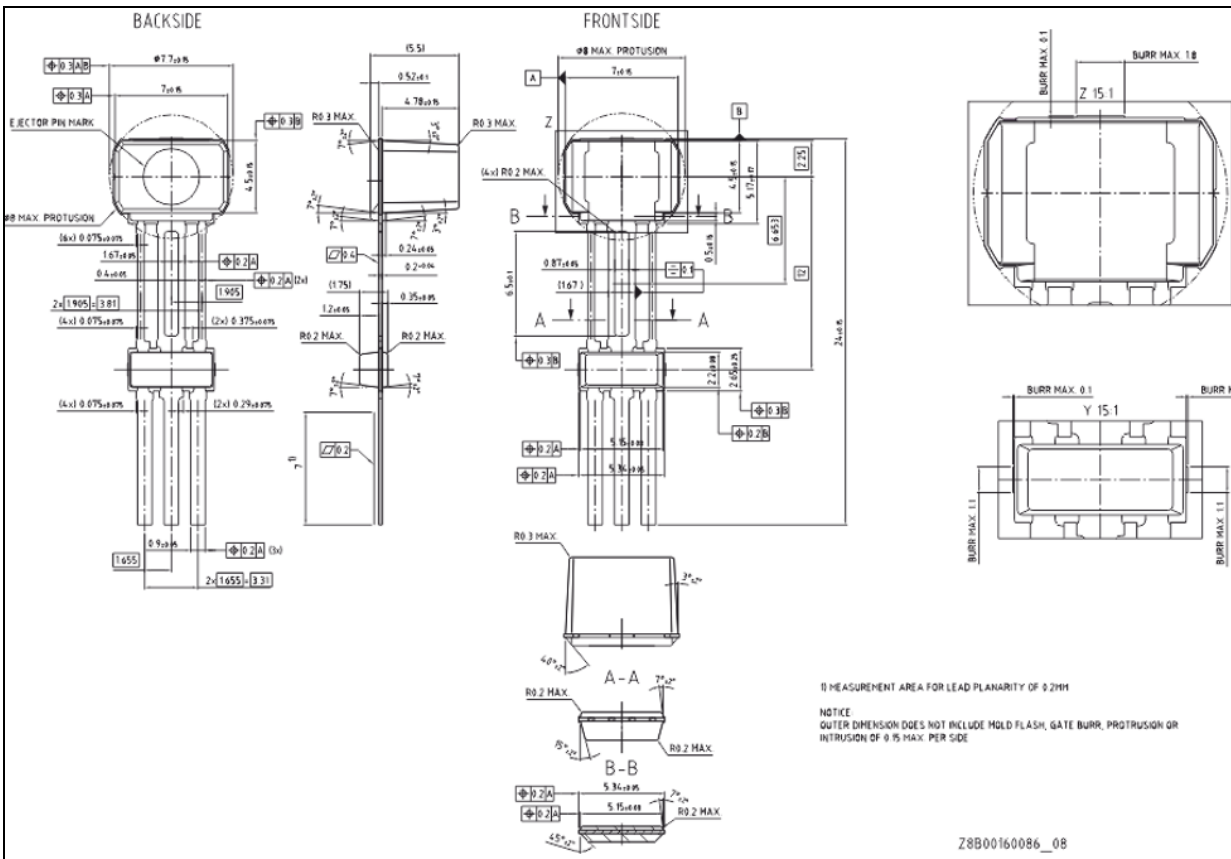


Figure 4-6 PG-SSOM-3-11 package outline - TLE4924CB-2 E6547

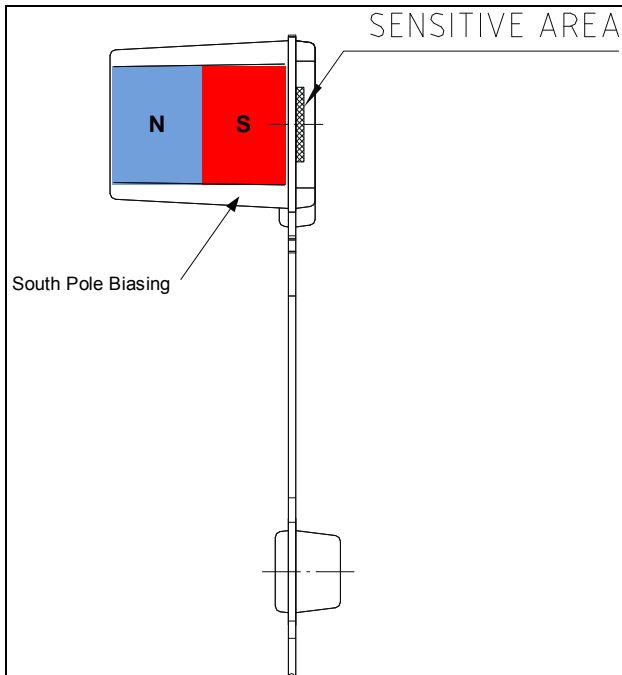


Figure 4-7 Back-bias field orientation - TLE4924CB-2 E6547

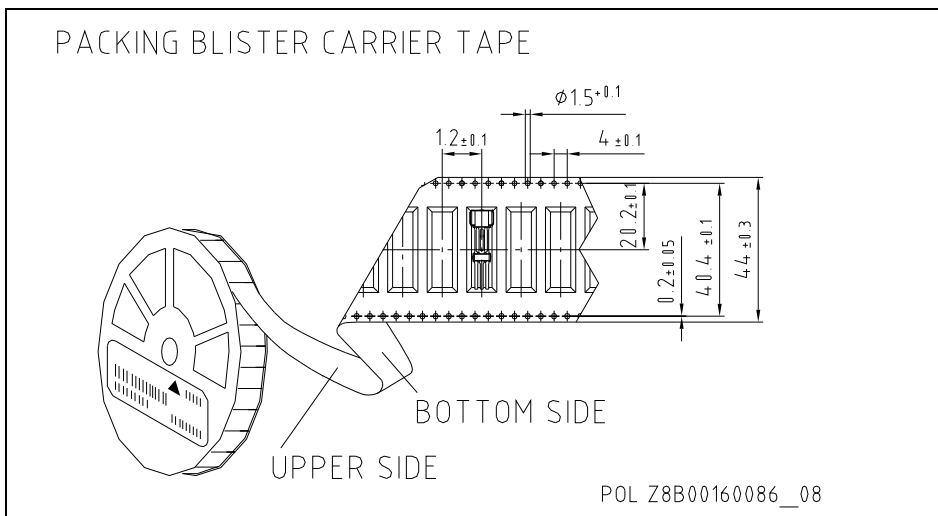


Figure 4-8 PG-SSOM-3-11 blister tape packing information -TLE4924CB-2 E6547

For additional packages information, sort of packing and others, please see Infineon internet web page:
<http://www.infineon.com/products>

Edition 2013-10-04

Published by
Infineon Technologies AG
81726 Munich, Germany
© 2014 Infineon Technologies AG
All Rights Reserved.

Legal Disclaimer

The information given in this document shall in no event be regarded as a guarantee of conditions or characteristics. With respect to any examples or hints given herein, any typical values stated herein and/or any information regarding the application of the device, Infineon Technologies hereby disclaims any and all warranties and liabilities of any kind, including without limitation, warranties of non-infringement of intellectual property rights of any third party.

Information

For further information on technology, delivery terms and conditions and prices, please contact the nearest Infineon Technologies Office (www.infineon.com).

Warnings

Due to technical requirements, components may contain dangerous substances. For information on the types in question, please contact the nearest Infineon Technologies Office. Infineon Technologies components may be used in life-support devices or systems only with the express written approval of Infineon Technologies, if a failure of such components can reasonably be expected to cause the failure of that life-support device or system or to affect the safety or effectiveness of that device or system. Life support devices or systems are intended to be implanted in the human body or to support and/or maintain and sustain and/or protect human life. If they fail, it is reasonable to assume that the health of the user or other persons may be endangered.

www.infineon.com

Published by Infineon Technologies AG

Данный компонент на территории Российской Федерации

Вы можете приобрести в компании MosChip.

Для оперативного оформления запроса Вам необходимо перейти по данной ссылке:

<http://moschip.ru/get-element>

Вы можете разместить у нас заказ для любого Вашего проекта, будь то серийное производство или разработка единичного прибора.

В нашем ассортименте представлены ведущие мировые производители активных и пассивных электронных компонентов.

Нашей специализацией является поставка электронной компонентной базы двойного назначения, продукции таких производителей как XILINX, Intel (ex.ALTERA), Vicor, Microchip, Texas Instruments, Analog Devices, Mini-Circuits, Amphenol, Glenair.

Сотрудничество с глобальными дистрибьюторами электронных компонентов, предоставляет возможность заказывать и получать с международных складов практически любой перечень компонентов в оптимальные для Вас сроки.

На всех этапах разработки и производства наши партнеры могут получить квалифицированную поддержку опытных инженеров.

Система менеджмента качества компании отвечает требованиям в соответствии с ГОСТ Р ИСО 9001, ГОСТ РВ 0015-002 и ЭС РД 009

Офис по работе с юридическими лицами:

105318, г.Москва, ул.Щербаковская д.3, офис 1107, 1118, ДЦ «Щербаковский»

Телефон: +7 495 668-12-70 (многоканальный)

Факс: +7 495 668-12-70 (доб.304)

E-mail: info@moschip.ru

Skype отдела продаж:

moschip.ru

moschip.ru_4

moschip.ru_6

moschip.ru_9