

### FEATURES

#### High Speed

- 50 MHz Unity Gain Stable Operation
- 300 V/ms Slew Rate
- 120 ns Settling Time

Drives Unlimited Capacitive Loads

#### Excellent Video Performance

- 0.04% Differential Gain @ 4.4 MHz
- 0.198 Differential Phase @ 4.4 MHz

#### Good DC Performance

- 2 mV max Input Offset Voltage
- 15 mV/8C Input Offset Voltage Drift
- Available in Tape and Reel in Accordance with EIA-481A Standard

#### Low Power

- Only 10 mA Total Supply Current for Both Amplifiers
- $\pm 5$  V to  $\pm 15$  V Supplies

### PRODUCT DESCRIPTION

The AD827 is a dual version of Analog Devices' industry-standard AD847 op amp. Like the AD847, it provides high speed, low power performance at low cost. The AD827 achieves a 300 V/ $\mu$ s slew rate and 50 MHz unity-gain bandwidth while consuming only 100 mW when operating from  $\pm 5$  volt power supplies. Performance is specified for operation using  $\pm 5$  V to  $\pm 15$  V power supplies.

The AD827 offers an open-loop gain of 3,500 V/V into 500  $\Omega$  loads. It also features a low input voltage noise of  $15 \text{ nV}/\sqrt{\text{Hz}}$ , and a low input offset voltage of 2 mV maximum. Common-mode rejection ratio is a minimum of 80 dB. Power supply rejection ratio is maintained at better than 20 dB with input frequencies as high as 1 MHz, thus minimizing noise feedthrough from switching power supplies.

The AD827 is also ideal for use in demanding video applications, driving coaxial cables with less than 0.04% differential gain and  $0.19^\circ$  differential phase errors for 643 mV p-p into a 75  $\Omega$  reverse terminated cable.

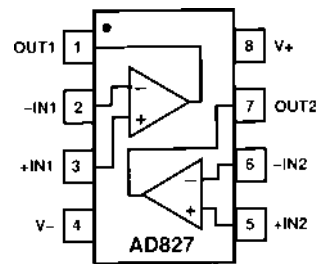
The AD827 is also useful in multichannel, high speed data conversion systems where its fast (120 ns to 0.1%) settling time is of importance. In such applications, the AD827 serves as an input buffer for 8-bit to 10-bit A/D converters and as an output amplifier for high speed D/A converters.

### REV. C

Information furnished by Analog Devices is believed to be accurate and reliable. However, no responsibility is assumed by Analog Devices for its use, nor for any infringements of patents or other rights of third parties that may result from its use. No license is granted by implication or otherwise under any patent or patent rights of Analog Devices.

### CONNECTION DIAGRAMS

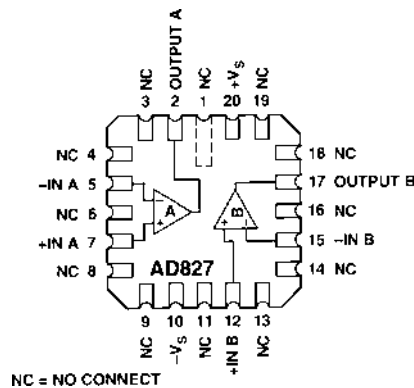
8-Lead Plastic (N) and Cerdip (Q) Packages



16-Lead Small Outline (R) Package



20-Lead LCC (E) Package



### APPLICATION HIGHLIGHTS

- Performance is fully specified for operation using  $\pm 5$  V to  $\pm 15$  V supplies.
- A 0.04% differential gain and  $0.19^\circ$  differential phase error at the 4.4 MHz color subcarrier frequency, together with its low cost, make it ideal for many video applications.
- The AD827 can drive unlimited capacitive loads, while its 30 mA output current allows 50  $\Omega$  and 75  $\Omega$  reverse-terminated loads to be driven.
- The AD827's 50 MHz unity-gain bandwidth makes it an ideal candidate for multistage active filters.
- The AD827 is available in 8-lead plastic mini-DIP and cerdip, 20-lead LCC, and 16-lead SOIC packages. Chips and MIL-STD-883B processing are also available.

# AD827—SPECIFICATIONS (@ T<sub>A</sub> = +25°C, unless otherwise noted.)

Model	Conditions	V <sub>S</sub>	AD827J			AD827A/S			Unit
			Min	Typ	Max	Min	Typ	Max	
<b>DC PERFORMANCE</b>									
Input Offset Voltage <sup>1</sup>	T <sub>MIN</sub> to T <sub>MAX</sub>	±5 V	0.5	2		0.3	2	mV	
Offset Voltage Drift	T <sub>MIN</sub> to T <sub>MAX</sub>	±15 V						mV	
Input Bias Current	T <sub>MIN</sub> to T <sub>MAX</sub>	±5 V to ±15 V	15			15		μV/°C	
		±5 V to ±15 V	3.3	7		3.3	7	μA	
Input Offset Current	T <sub>MIN</sub> to T <sub>MAX</sub>	±5 V to ±15 V		8.2			9.5	μA	
			50	300		50	300	nA	
Offset Current Drift	T <sub>MIN</sub> to T <sub>MAX</sub>	±5 V to ±15 V		400			400	nA	
			0.5			0.5		nA/°C	
Common-Mode Rejection Ratio	V <sub>CM</sub> = ±2.5 V	±5 V	78	95		80	95	dB	
		V <sub>CM</sub> = ±12 V	±15 V	78	95	80	95	dB	
		T <sub>MIN</sub> to T <sub>MAX</sub>	±5 V to ±15 V	75		75		dB	
Power Supply Rejection Ratio	T <sub>MIN</sub> to T <sub>MAX</sub>	±5 V to ±15 V	75	86		75	86	dB	
			72			72		dB	
Open-Loop Gain	V <sub>O</sub> = ±2.5 V R <sub>LOAD</sub> = 500 Ω T <sub>MIN</sub> to T <sub>MAX</sub> R <sub>LOAD</sub> = 150 Ω V <sub>OUT</sub> = ±10 V R <sub>LOAD</sub> = 1 kΩ T <sub>MIN</sub> to T <sub>MAX</sub>	±5 V							
			2	3.5		2	3.5	V/mV	
			1			1		V/mV	
				1.6			1.6	V/mV	
			3	5.5		3	5.5	V/mV	
			1.5			1.5		V/mV	
<b>MATCHING CHARACTERISTICS</b>									
Input Offset Voltage Crosstalk	f = 5 MHz	±5 V		0.4			0.2	mV	
		±5 V		85			85	dB	
<b>DYNAMIC PERFORMANCE</b>									
Unity-Gain Bandwidth		±5 V		35			35	MHz	
		±15 V		50			50	MHz	
Full Power Bandwidth <sup>2</sup>	V <sub>O</sub> = 5 V p-p, R <sub>LOAD</sub> = 500 Ω	±5 V		12.7			12.7	MHz	
Slew Rate <sup>3</sup>	V <sub>O</sub> = 20 V p-p, R <sub>LOAD</sub> = 1 kΩ	±15 V		4.7			4.7	MHz	
Settling Time to 0.1%	R <sub>LOAD</sub> = 500 Ω R <sub>LOAD</sub> = 1 kΩ	±5 V		200			200	V/μs	
		±15 V		300			300	V/μs	
Phase Margin	A <sub>V</sub> = -1 -2.5 V to +2.5 V -5 V to +5 V	±5 V		65			65	ns	
		±15 V		120			120	ns	
Differential Gain Error	C <sub>LOAD</sub> = 10 pF R <sub>LOAD</sub> = 1 kΩ	±15 V		50			50	Degrees	
				0.04			0.04	%	
Differential Phase Error	f = 4.4 MHz	±15 V		0.19			0.19	Degrees	
Input Voltage Noise	f = 10 kHz	±15 V		15			15	nV/√Hz	
Input Current Noise	f = 10 kHz	±15 V		1.5			1.5	pA/√Hz	
Input Common-Mode Voltage Range		±5 V		+4.3			+4.3	V	
				-3.4			-3.4	V	
Output Voltage Swing	R <sub>LOAD</sub> = 500 Ω R <sub>LOAD</sub> = 150 Ω	±15 V		+14.3			+14.3	V	
				-13.4			-13.4	V	
Short-Circuit Current Limit	R <sub>LOAD</sub> = 500 Ω R <sub>LOAD</sub> = 150 Ω R <sub>LOAD</sub> = 1 kΩ R <sub>LOAD</sub> = 500 Ω	±5 V	3.0	3.6		3.0	3.6	±V	
			2.5	3.0		2.5	3.0	±V	
			12	13.3		12	13.3	±V	
			10	12.2		10	12.2	±V	
<b>INPUT CHARACTERISTICS</b>									
Input Resistance				300			300	kΩ	
Input Capacitance				1.5			1.5	pF	

Model	Conditions	V <sub>S</sub>	AD827J			AD827A/S			Unit
			Min	Typ	Max	Min	Typ	Max	
OUTPUT RESISTANCE	Open Loop		15			15			Ω
POWER SUPPLY									
Operating Range		±5 V	±4.5		±18	±4.5		±18	V
Quiescent Current	T <sub>MIN</sub> to T <sub>MAX</sub>			10	13		10	13	mA
		±15 V			16			16.5/17.5	mA
	T <sub>MIN</sub> to T <sub>MAX</sub>			10.5	13.5		10.5	13.5	mA
					16.5			17/18	mA
TRANSISTOR COUNT			92			92			

## NOTES

<sup>1</sup> Offset voltage for the AD827 is guaranteed after power is applied and the device is fully warmed up. All other specifications are measured using high speed test equipment, approximately 1 second after power is applied.

<sup>2</sup> Full Power Bandwidth = Slew Rate/2 π V<sub>PEAK</sub>.

<sup>3</sup> Gain = +1, rising edge.

All min and max specifications are guaranteed.

Specifications subject to change without notice.

## ABSOLUTE MAXIMUM RATINGS<sup>1</sup>

Supply Voltage ..... ±18 V

Internal Power Dissipation<sup>2</sup>

  Plastic (N) Package (Derate at 10 mW/°C) ..... 1.5 W

  Cerdip (Q) Package (Derate at 8.7 mW/°C) ..... 1.3 W

  Small Outline (R) Package (Derate at 10 mW/°C) ... 1.5 W

  LCC (E) Package (Derate at 6.7 mW/°C) ..... 1.0 W

Input Common-Mode Voltage ..... ±V<sub>S</sub>

Differential Input Voltage ..... 6 V

Output Short Circuit Duration<sup>3</sup> ..... Indefinite

Storage Temperature Range (N, R) ..... -65°C to +125°C

Storage Temperature Range (Q) ..... -65°C to +150°C

Operating Temperature Range

  AD827J ..... 0°C to 70°C

  AD827A ..... -40°C to +85°C

  AD827S ..... -55°C to +125°C

Lead Temperature Range

  (Soldering to 60 sec) ..... 300°C

## NOTES

<sup>1</sup> Stresses above those listed under Absolute Maximum Ratings may cause permanent damage to the device. This is a stress rating only, and functional operation of the device at these or any other conditions above those indicated in the operational section of this specification is not implied. Exposure to absolute maximum ratings for extended periods may affect device reliability.

<sup>2</sup> Maximum internal power dissipation is specified so that T<sub>J</sub> does not exceed 175°C at an ambient temperature of 25°C.

Thermal Characteristics:

MiniDIP: θ<sub>JA</sub> = 100°C/W; θ<sub>JC</sub> = 33°C/W

Cerdip: θ<sub>JA</sub> = 110°C/W; θ<sub>JC</sub> = 30°C/W

16-Lead Small Outline Package: θ<sub>JA</sub> = 100°C/W

20-Lead LCC: θ<sub>JA</sub> = 150°C/W; θ<sub>JC</sub> = 35°C/W

<sup>3</sup> Indefinite short circuit duration is only permissible as long as the absolute maximum power rating is not exceeded.

## ORDERING GUIDE

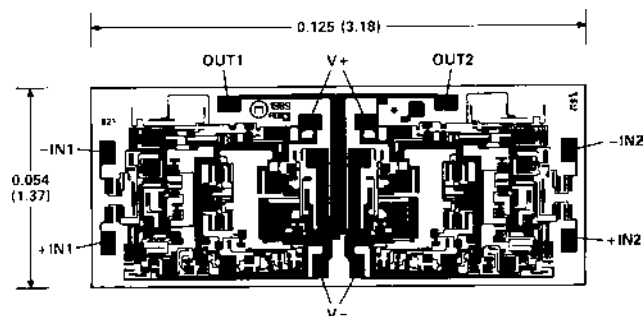
Model	Temperature Range	Package Description	Package Option
AD827JN	0°C to +70°C	8-Lead Plastic DIP	N-8
AD827JR	0°C to +70°C	16-Lead Plastic SO	R-16
AD827AQ	-40°C to +85°C	8-Lead Cerdip	Q-8
AD827SQ	-55°C to +125°C	8-Lead Cerdip	Q-8
AD827SQ/883B	-55°C to +125°C	8-Lead Cerdip	Q-8
5962-9211701MPA	-55°C to +125°C	8-Lead Cerdip	Q-8
AD827SE/883B	-55°C to +125°C	20-Lead LCC	E-20A
5962-9211701M2A	-55°C to +125°C	20-Lead LCC	E-20A
AD827JR-REEL	0°C to +70°C	Tape & Reel	
AD827JChips	0°C to +70°C	Die	
AD827SChips	-55°C to +125°C	Die	

## METALLIZATION PHOTOGRAPH

Contact factory for latest dimensions.

Dimensions shown in inches and (mm).

Substrate is connected to V+.



# AD827—Typical Performance Characteristics (@ +25°C & ±15 V, unless otherwise noted)

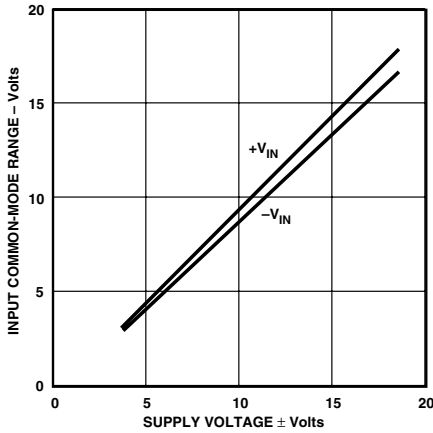


Figure 1. Input Common-Mode Range vs. Supply Voltage

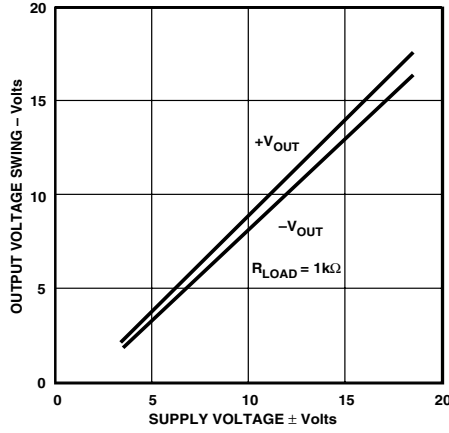


Figure 2. Output Voltage Swing vs. Supply Voltage

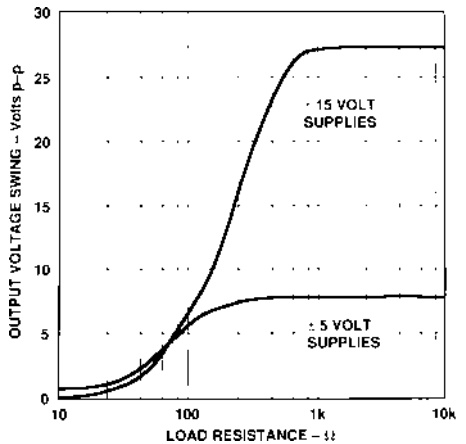


Figure 3. Output Voltage Swing vs. Load Resistance

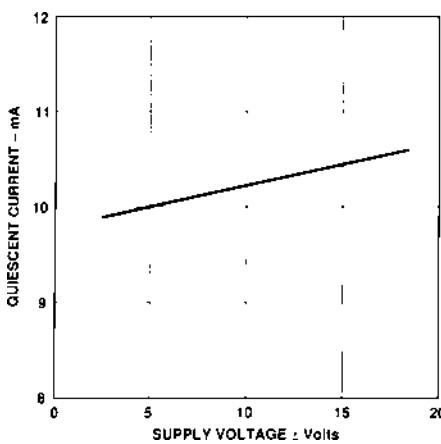


Figure 4. Quiescent Current vs. Supply Voltage



Figure 5. Input Bias Current vs. Temperature

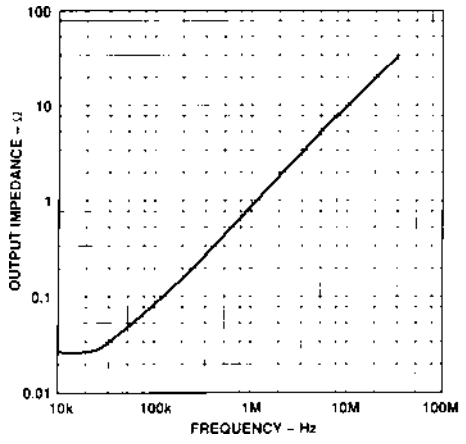


Figure 6. Closed-Loop Output Impedance vs. Frequency, Gain = +1

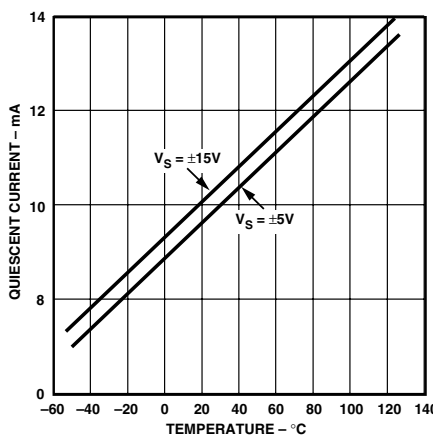


Figure 7. Quiescent Current vs. Temperature

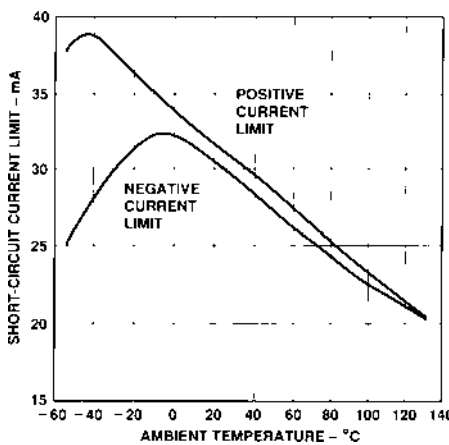


Figure 8. Short-Circuit Current Limit vs. Temperature

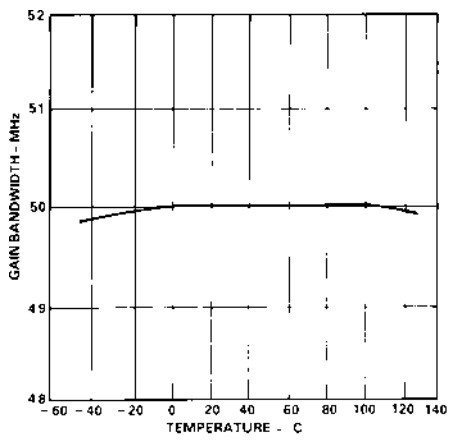


Figure 9. Gain Bandwidth vs. Temperature

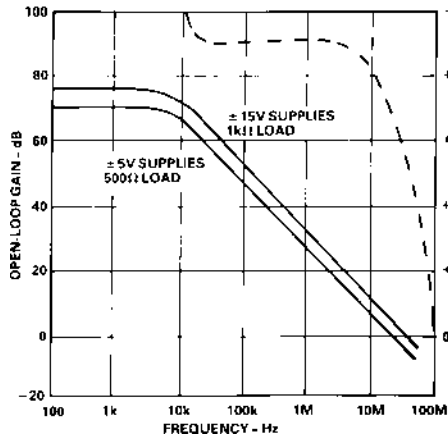


Figure 10. Open-Loop Gain and Phase Margin vs. Frequency



Figure 11. Open-Loop Gain vs. Load Resistance



Figure 12. Power Supply Rejection Ratio vs. Frequency

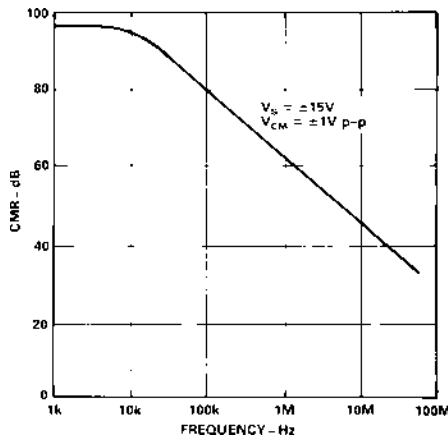


Figure 13. Common-Mode Rejection Ratio vs. Frequency



Figure 14. Large Signal Frequency Response



Figure 15. Output Swing and Error vs. Settling Time

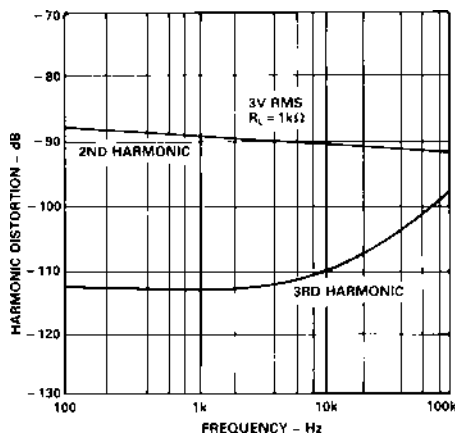


Figure 16. Harmonic Distortion vs. Frequency

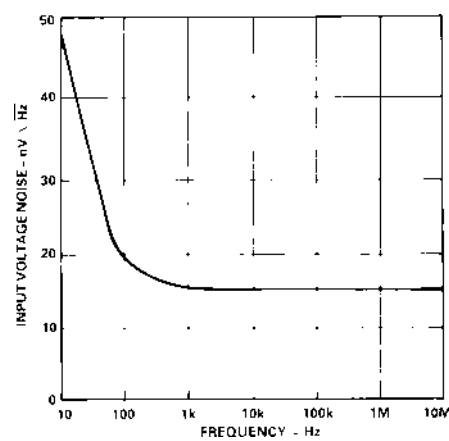


Figure 17. Input Voltage Noise Spectral Density

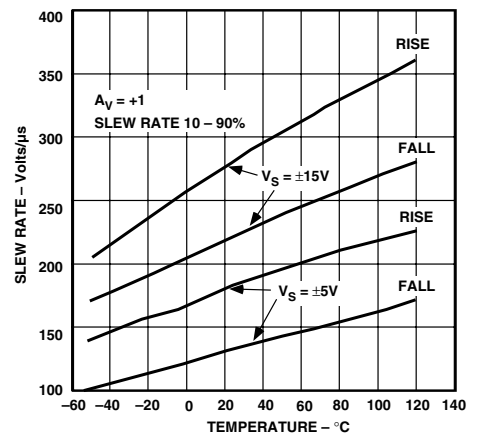


Figure 18. Slew Rate vs. Temperature

# AD827



Figure 19. Crosstalk vs. Frequency



$R_L = 500\Omega$  FOR  $\pm V_S = 5V$ ,  $1k\Omega$  FOR  $\pm V_S = 15V$   
USE GROUND PLANE  
PINOUT SHOWN IS FOR MINIDIP PACKAGE

Figure 20. Crosstalk Test Circuit

## INPUT PROTECTION PRECAUTIONS

An input resistor (resistor  $R_{IN}$  of Figure 21a) is recommended in circuits where the input common-mode voltage to the AD827 may exceed (on a transient basis) the positive supply voltage. This resistor provides protection for the input transistors by limiting the maximum current that can be forced into their bases.

For high performance circuits, it is recommended that a second resistor ( $R_B$  in Figures 21a and 22a) be used to reduce bias-current errors by matching the impedance at each input. This resistor reduces the error caused by offset voltages by more than an order of magnitude.



Figure 21a. Follower Connection



Figure 21b. Follower Large Signal Pulse Response



Figure 21c. Follower Small Signal Pulse Response



Figure 22a. Inverter Connection

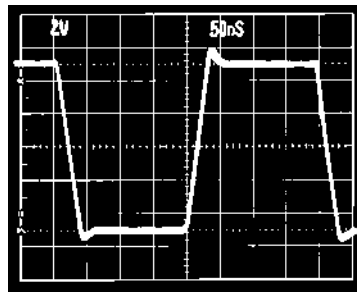


Figure 22b. Inverter Large Signal Pulse Response

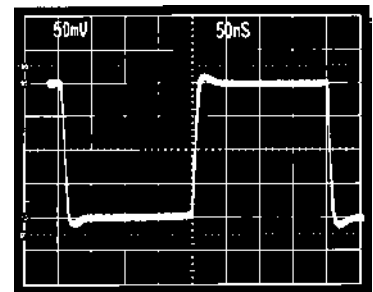


Figure 22c. Inverter Small Signal Pulse Response

## VIDEO LINE DRIVER

The AD827 functions very well as a low cost, high speed line driver for either terminated or unterminated cables. Figure 23 shows the AD827 driving a doubly terminated cable in a follower configuration.

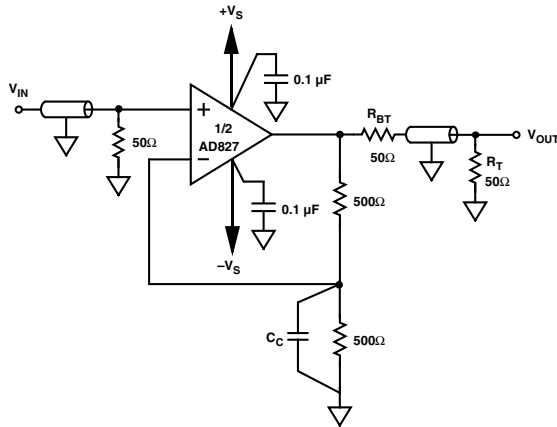


Figure 23. A Video Line Driver

The termination resistor,  $R_T$ , (when equal to the cable's characteristic impedance) minimizes reflections from the far end of the cable. While operating from  $\pm 5$  V supplies, the AD827 maintains a typical slew rate of 200 V/ $\mu$ s, which means it can drive a  $\pm 1$  V, 30 MHz signal into a terminated cable.

Table I. Video Line Driver Performance Summary

$V_{IN}^*$	$V_{SUPPLY}$	$C_C$	-3 dB $B_W$	Over-shoot
0 dB or $\pm 500$ mV Step	$\pm 15$	20 pF	23 MHz	4%
0 dB or $\pm 500$ mV Step	$\pm 15$	15 pF	21 MHz	0%
0 dB or $\pm 500$ mV Step	$\pm 15$	0 pF	13 MHz	0%
0 dB or $\pm 500$ mV Step	$\pm 5$	20 pF	18 MHz	2%
0 dB or $\pm 500$ mV Step	$\pm 5$	15 pF	16 MHz	0%
0 dB or $\pm 500$ mV Step	$\pm 5$	0 pF	11 MHz	0%

\*-3 dB bandwidth numbers are for the 0 dBm signal input. Overshoot numbers are the percent overshoot of the 1 V step input.

A back-termination resistor ( $R_{BT}$ , also equal to the characteristic impedance of the cable) may be placed between the AD827 output and the cable input, in order to damp any reflected signals caused by a mismatch between  $R_T$  and the cable's characteristic impedance. This will result in a flatter frequency response, although this requires that the op amp supply  $\pm 2$  V to the output in order to achieve a  $\pm 1$  V swing at resistor  $R_T$ .

## A HIGH SPEED THREE OP AMP INSTRUMENTATION AMPLIFIER CIRCUIT

The instrumentation amplifier circuit shown in Figure 24 can provide a range of gains. Table II details performance.

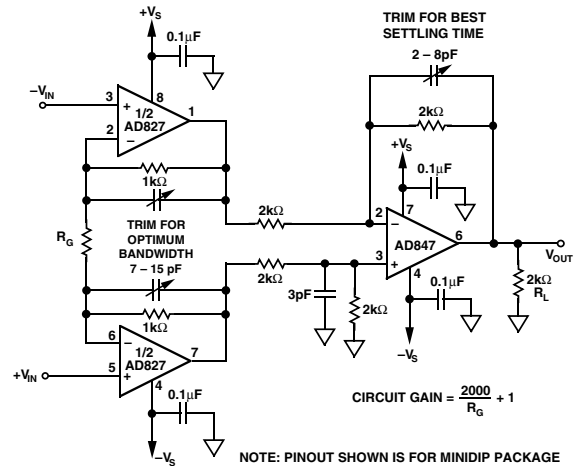


Figure 24. A High Bandwidth Three Op Amp Instrumentation Amplifier

Table II. Performance Specifications for the Three Op Amp Instrumentation Amplifier

Gain	$R_G$	Small Signal Bandwidth @ 1 V p-p Output
1	Open	16.1 MHz
2	2 k	14.7 MHz
10	226 $\Omega$	4.9 MHz
100	20 $\Omega$	660 kHz

# AD827

## A TWO-CHIP VOLTAGE-CONTROLLED AMPLIFIER (VCA) WITH EXPONENTIAL RESPONSE

Voltage-controlled amplifiers are often used as building blocks in automatic gain control systems. Figure 25 shows a two-chip VCA built using the AD827 and the AD539, a dual, current-output multiplier. As configured, the circuit has its two



Figure 25. A Wide Range Voltage-Controlled Amplifier Circuit

multipliers connected in series. They could also be placed in parallel with an increase in bandwidth and a reduction in gain. The gain of the circuit is controlled by  $V_x$ , which can range from 0 to 3 V dc. Measurements show that this circuit easily supplies 2 V p-p into a 100  $\Omega$  load while operating from  $\pm 5$  V supplies. The overall bandwidth of the circuit is approximately 7 MHz with 0.5 dB of peaking.

Each half of the AD827 serves as an I/V converter and converts the output current of one of the two multipliers in the AD539 into an output voltage. Each of the AD539's two multipliers contains two internal 6 k $\Omega$  feedback resistors; one is connected

between the CH1 output and Z1, the other between the CH1 output and W1. Likewise, in the CH2 multiplier, one of the feedback resistors is connected between CH2 and Z2 and the other is connected between CH2 and W2. In Figure 25, Z1 and W1 are tied together, as are Z2 and W2, providing a 3 k $\Omega$  feedback resistor for the op amp. The 2 pF capacitors connected between the AD539's W1 and CH1 and W2 and CH2 pins are in parallel with the feedback resistors and thus reduce peaking in the VCA's frequency response. Increasing the values of C3 and C4 can further reduce the peaking at the expense of reduced bandwidth. The 1.25 mA full-scale output current of the AD539 and the 3 k $\Omega$  feedback resistor set the full-scale output voltage of each multiplier at 3.25 V p-p.

Current limiting in the AD827 (typically 30 mA) limits the output voltage in this application to about 3 V p-p across a 100  $\Omega$  load. Driving a 50  $\Omega$  reverse-terminated load divides this value by two, limiting the maximum signal delivered to a 50  $\Omega$  load to about 1.5 V p-p, which suffices for video signal levels. The dynamic range of this circuit is approximately 55 dB and is primarily limited by feedthrough at low input levels and by the maximum output voltage at high levels.

### Guidelines for Grounding and Bypassing

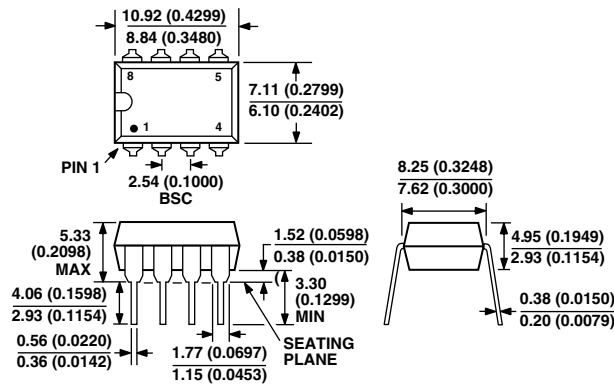
When designing practical high frequency circuits using the AD827, some special precautions are in order. Both short interconnection leads and a large ground plane are needed whenever possible to provide low resistance, low inductance circuit paths. One should remember to minimize the effects of capacitive coupling between circuits. Furthermore, IC sockets should be avoided. Feedback resistors should be of a low enough value that the time constant formed with stray circuit capacitances at the amplifier summing junction will not limit circuit performance. As a rule of thumb, use feedback resistor values that are less than 5 k $\Omega$ . If a larger resistor value is necessary, a small (<10 pF) feedback capacitor in parallel with the feedback resistor may be used. The use of 0.1  $\mu$ F ceramic disc capacitors is recommended for bypassing the op amp's power supply leads.



OUTLINE DIMENSIONS

8-Lead Plastic Dual-in-Line Package [PDIP]  
(N-8)

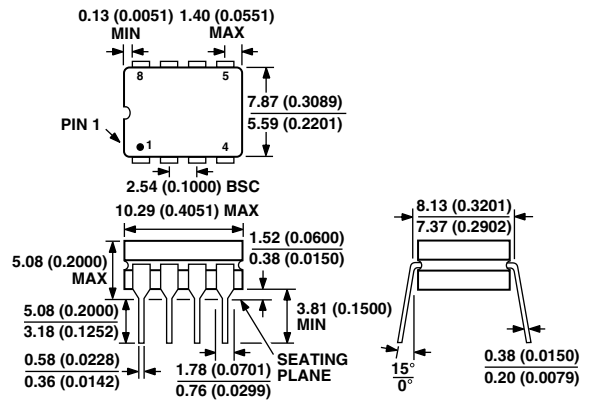
Dimensions shown in millimeters and (inches)



CONTROLLING DIMENSIONS ARE IN MILLIMETERS; INCH DIMENSIONS (IN PARENTHESES) ARE ROUNDED-OFF MILLIMETER EQUIVALENTS FOR REFERENCE ONLY AND ARE NOT APPROPRIATE FOR USE IN DESIGN

8-Lead Ceramic DIP-Glass Hermetic Seal Package [CERDIP]  
(Q-8)

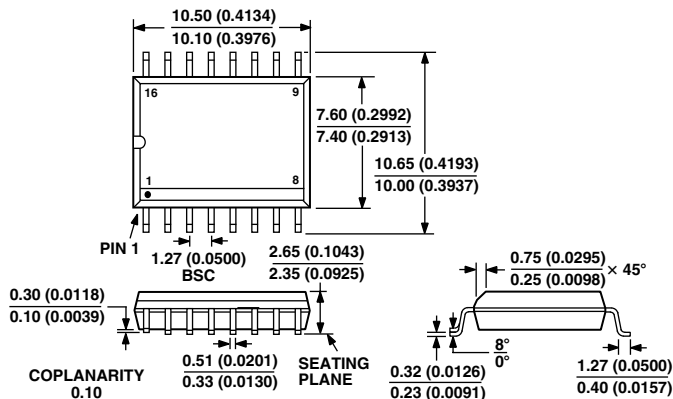
Dimensions shown in millimeters and (inches)



CONTROLLING DIMENSIONS ARE IN MILLIMETERS; INCH DIMENSIONS (IN PARENTHESES) ARE ROUNDED-OFF MILLIMETER EQUIVALENTS FOR REFERENCE ONLY AND ARE NOT APPROPRIATE FOR USE IN DESIGN

16-Lead Standard Small Outline Package [SOIC]  
Wide Body  
(R-16)

Dimensions shown in millimeters and (inches)

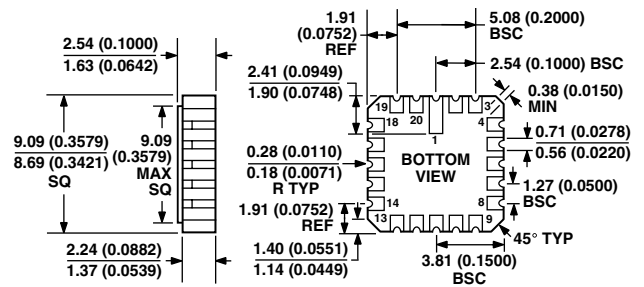


CONTROLLING DIMENSIONS ARE IN MILLIMETERS; INCH DIMENSIONS (IN PARENTHESES) ARE ROUNDED-OFF MILLIMETER EQUIVALENTS FOR REFERENCE ONLY AND ARE NOT APPROPRIATE FOR USE IN DESIGN

COMPLIANT TO JEDEC STANDARDS MS-013AA

20-Terminal Ceramic Leadless Chip Carrier [LCC]  
(E-20A)

Dimensions shown in millimeters and (inches)



CONTROLLING DIMENSIONS ARE IN MILLIMETERS; INCH DIMENSIONS (IN PARENTHESES) ARE ROUNDED-OFF MILLIMETER EQUIVALENTS FOR REFERENCE ONLY AND ARE NOT APPROPRIATE FOR USE IN DESIGN

# AD827

## Revision History

Location	Page
8/02—Data Sheet changed from REV. B to REV. C.	
Updated Outline Dimensions .....	9





## Данный компонент на территории Российской Федерации

### Вы можете приобрести в компании MosChip.

Для оперативного оформления запроса Вам необходимо перейти по данной ссылке:

<http://moschip.ru/get-element>

Вы можете разместить у нас заказ для любого Вашего проекта, будь то серийное производство или разработка единичного прибора.

В нашем ассортименте представлены ведущие мировые производители активных и пассивных электронных компонентов.

Нашей специализацией является поставка электронной компонентной базы двойного назначения, продукции таких производителей как XILINX, Intel (ex.ALTERA), Vicor, Microchip, Texas Instruments, Analog Devices, Mini-Circuits, Amphenol, Glenair.

Сотрудничество с глобальными дистрибьюторами электронных компонентов, предоставляет возможность заказывать и получать с международных складов практически любой перечень компонентов в оптимальные для Вас сроки.

На всех этапах разработки и производства наши партнеры могут получить квалифицированную поддержку опытных инженеров.

Система менеджмента качества компании отвечает требованиям в соответствии с ГОСТ Р ИСО 9001, ГОСТ РВ 0015-002 и ЭС РД 009

### Офис по работе с юридическими лицами:

105318, г.Москва, ул.Щербаковская д.3, офис 1107, 1118, ДЦ «Щербаковский»

Телефон: +7 495 668-12-70 (многоканальный)

Факс: +7 495 668-12-70 (доб.304)

E-mail: [info@moschip.ru](mailto:info@moschip.ru)

Skype отдела продаж:

moschip.ru

moschip.ru\_4

moschip.ru\_6

moschip.ru\_9