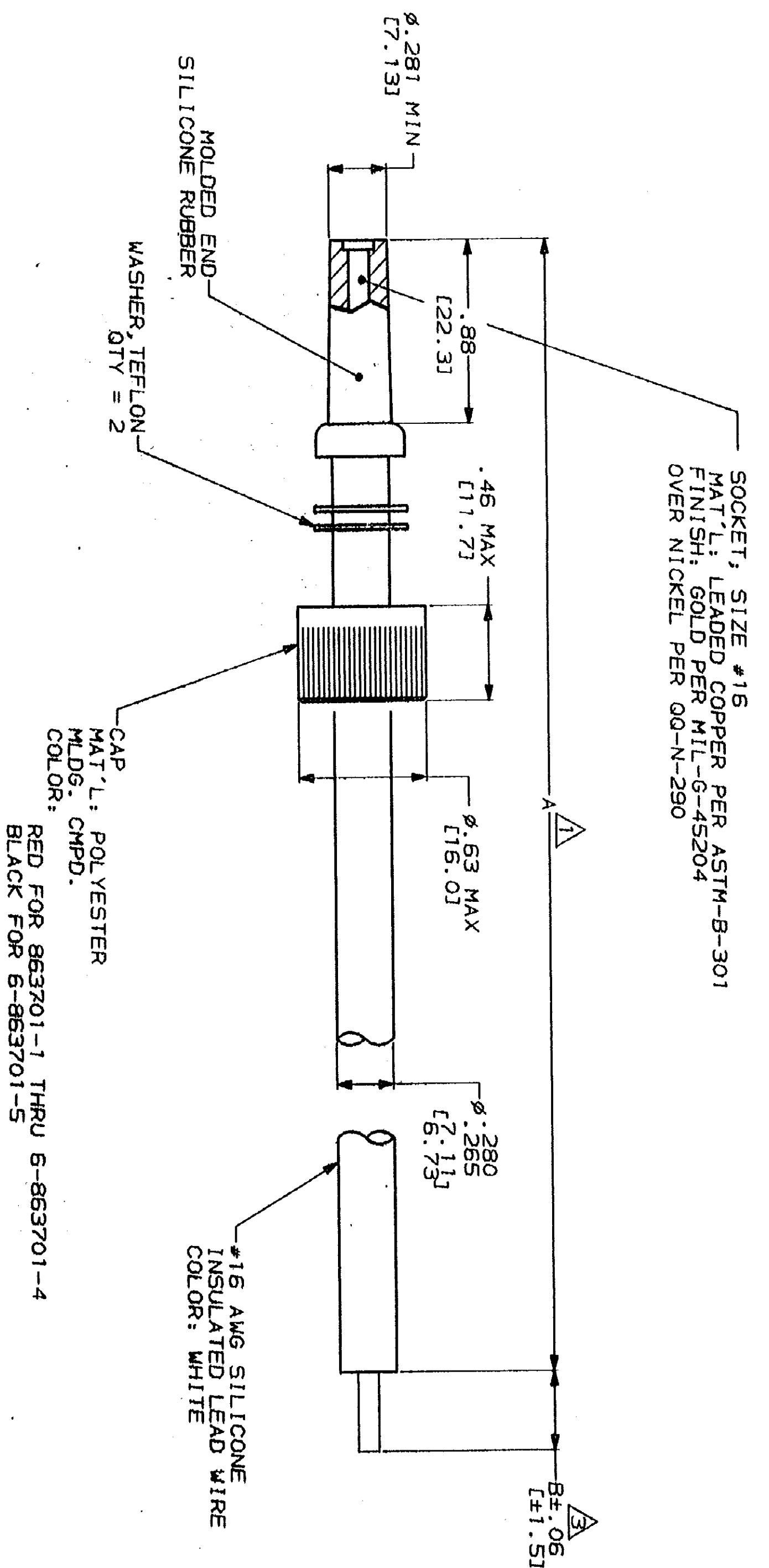


PART NO.	A	B
863701-1	11.00 [229.41]	-
863701-2	24.00 [609.61]	-
863701-3	6.50 [165.11]	.50 [12.71] OBSOLETE
863701-4	9.00 [228.61]	-
863701-5	36.00 [914.41]	.38 [9.71] OBSOLETE
863701-6	30.00 [762.01]	-
863701-7	6.00 [152.41]	.38 [9.71] OBSOLETE
863701-8	24.00 [609.61]	.38 [9.71] OBSOLETE
863701-9	20.00 [508.01]	.38 [9.71] OBSOLETE
1-863701-0	18.00 [457.21]	.50 [12.71]
1-863701-1	12.00 [304.81]	.38 [9.71]
1-863701-2	3.50 [88.91]	.38 [9.71] OBSOLETE
1-863701-3	48.00 [1219.21]	.38 [9.71]
1-863701-4	120.00 [3048.01]	.38 [9.71] OBSOLETE
1-863701-5	620.00 [15748.01]	.38 [9.71] OBSOLETE
1-863701-6	96.00 [2438.41]	.38 [9.71] OBSOLETE
1-863701-7	35.00 [889.01]	.50 [12.71] OBSOLETE
1-863701-8	26.00 [660.41]	.38 [9.71] OBSOLETE
1-863701-9	16.00 [406.41]	.38 [9.71]
2-863701-0	25.00 [635.01]	.38 [9.71] OBSOLETE
2-863701-1	28.00 [711.21]	.38 [9.71] OBSOLETE
2-863701-2	12.00 [304.81]	.50 [12.71] OBSOLETE
2-863701-3	27.00 [685.81]	.38 [9.71] OBSOLETE
2-863701-4	180.00 [4572.01]	.38 [9.71] OBSOLETE
2-863701-5	240.00 [6096.01]	.38 [9.71] OBSOLETE
2-863701-6	72.00 [1828.81]	.38 [9.71]
2-863701-7	48.00 [1219.21]	-
2-863701-8	9.50 [241.31]	.50 [12.71]
2-863701-9	54.00 [1371.61]	.38 [9.71] OBSOLETE
3-863701-0	15.00 [381.01]	.38 [9.71] OBSOLETE
3-863701-1	72.00 [1828.81]	-
3-863701-2	22.00 [558.81]	.38 [9.71] OBSOLETE
3-863701-3	9.00 [228.61]	.38 [9.71] OBSOLETE
3-863701-4	4.50 [114.31]	.38 [9.71] OBSOLETE
3-863701-5	15.43 [391.91]	.38 [9.71] OBSOLETE
3-863701-6	11.00 [279.41]	.25 [6.31]
3-863701-7	15.00 [381.01]	.25 [6.31] OBSOLETE
3-863701-8	29.00 [736.61]	.38 [9.71] OBSOLETE
3-863701-9	96.00 [2438.41]	.38 [9.71] OBSOLETE
4-863701-0	73.00 [1854.21]	.38 [9.71] OBSOLETE
4-863701-1	40.00 [1016.01]	.38 [9.71] OBSOLETE
4-863701-2	60.00 [1524.01]	.38 [9.71] OBSOLETE
4-863701-3	42.00 [1066.81]	.38 [9.71] OBSOLETE
4-863701-4	4.00 [101.61]	.38 [9.71]
4-863701-5	10.00 [254.01]	.38 [9.71]
4-863701-6	14.00 [355.61]	.38 [9.71] OBSOLETE
4-863701-7	8.00 [203.21]	.38 [9.71] OBSOLETE
4-863701-8	5.50 [139.71]	.38 [9.71] OBSOLETE
4-863701-9	3.00 [76.21]	.38 [9.71] OBSOLETE
5-863701-0	19.00 [482.61]	.38 [9.71] OBSOLETE

PART NO.	A	B
5-863701-1	15.75 [400.01]	-
5-863701-2	7.00 [177.81]	.38 [9.71] OBSOLETE
5-863701-3	13.00 [330.21]	.38 [9.71] OBSOLETE
5-863701-4	11.50 [292.11]	.38 [9.71] OBSOLETE
5-863701-5	4.75 [120.61]	.38 [9.71] OBSOLETE
5-863701-6	144.00 [3657.61]	.38 [9.71] OBSOLETE
5-863701-7	50.00 [1270.01]	.38 [9.71] OBSOLETE
5-863701-8	84.00 [2133.61]	.38 [9.71] OBSOLETE
5-863701-9	5.25 [133.31]	.38 [9.71] OBSOLETE
6-863701-0	80.00 [2032.01]	.38 [9.71] OBSOLETE
6-863701-1	19.50 [495.31]	.38 [9.71] OBSOLETE
6-863701-2	39.50 [1003.31]	.38 [9.71]
6-863701-3	12.50 [317.51]	.38 [9.71]
6-863701-4	30.00 [762.01]	.38 [9.71]
6-863701-5	12.00 [304.81]	.38 [9.71]

PART NO.	A	B
863701-1	11.00 [229.41]	-
863701-2	24.00 [609.61]	-
863701-3	6.50 [165.11]	.50 [12.71] OBSOLETE
863701-4	9.00 [228.61]	-
863701-5	36.00 [914.41]	.38 [9.71] OBSOLETE
863701-6	30.00 [762.01]	-
863701-7	6.00 [152.41]	.38 [9.71] OBSOLETE
863701-8	24.00 [609.61]	.38 [9.71] OBSOLETE
863701-9	20.00 [508.01]	.38 [9.71] OBSOLETE
1-863701-0	18.00 [457.21]	.50 [12.71]
1-863701-1	12.00 [304.81]	.38 [9.71]
1-863701-2	3.50 [88.91]	.38 [9.71] OBSOLETE
1-863701-3	48.00 [1219.21]	.38 [9.71]
1-863701-4	120.00 [3048.01]	.38 [9.71] OBSOLETE
1-863701-5	620.00 [15748.01]	.38 [9.71] OBSOLETE
1-863701-6	96.00 [2438.41]	.38 [9.71] OBSOLETE
1-863701-7	35.00 [889.01]	.50 [12.71] OBSOLETE
1-863701-8	26.00 [660.41]	.38 [9.71] OBSOLETE
1-863701-9	16.00 [406.41]	.38 [9.71]
2-863701-0	25.00 [635.01]	.38 [9.71] OBSOLETE
2-863701-1	28.00 [711.21]	.38 [9.71] OBSOLETE
2-863701-2	12.00 [304.81]	.50 [12.71] OBSOLETE
2-863701-3	27.00 [685.81]	.38 [9.71] OBSOLETE
2-863701-4	180.00 [4572.01]	.38 [9.71] OBSOLETE
2-863701-5	240.00 [6096.01]	.38 [9.71] OBSOLETE
2-863701-6	72.00 [1828.81]	.38 [9.71]
2-863701-7	48.00 [1219.21]	-
2-863701-8	9.50 [241.31]	.50 [12.71]
2-863701-9	54.00 [1371.61]	.38 [9.71] OBSOLETE
3-863701-0	15.00 [381.01]	.38 [9.71] OBSOLETE
3-863701-1	72.00 [1828.81]	-
3-863701-2	22.00 [558.81]	.38 [9.71] OBSOLETE
3-863701-3	9.00 [228.61]	.38 [9.71] OBSOLETE
3-863701-4	4.50 [114.31]	.38 [9.71] OBSOLETE
3-863701-5	15.43 [391.91]	.38 [9.71] OBSOLETE
3-863701-6	11.00 [279.41]	.25 [6.31]
3-863701-7	15.00 [381.01]	.25 [6.31] OBSOLETE
3-863701-8	29.00 [736.61]	.38 [9.71] OBSOLETE
3-863701-9	96.00 [2438.41]	.38 [9.71] OBSOLETE
4-863701-0	73.00 [1854.21]	.38 [9.71] OBSOLETE
4-863701-1	40.00 [1016.01]	.38 [9.71] OBSOLETE
4-863701-2	60.00 [1524.01]	.38 [9.71] OBSOLETE
4-863701-3	42.00 [1066.81]	.38 [9.71] OBSOLETE
4-863701-4	4.00 [101.61]	.38 [9.71]
4-863701-5	10.00 [254.01]	.38 [9.71]
4-863701-6	14.00 [355.61]	.38 [9.71] OBSOLETE
4-863701-7	8.00 [203.21]	.38 [9.71] OBSOLETE
4-863701-8	5.50 [139.71]	.38 [9.71] OBSOLETE
4-863701-9	3.00 [76.21]	.38 [9.71] OBSOLETE
5-863701-0	19.00 [482.61]	.38 [9.71] OBSOLETE



1. TOLERANCE OF LEAD LENGTH: UP TO 24 INCHES [609.61] & UP = ±1%
2. MARKED PER MIL-STD-130.
3. PIGTAIL IS SOLDER DIPPED.
4. TO MATE WITH AMP LGH-1 RECEPTACLE WITH .88 BARREL DEPTH.
5. OPERATING VOLTAGE: 20 KVDC AT 0 TO 70,000 FEET, -55°C TO 125°C.

DO NOT SCALE PRINT. UNLESS SPECIFIED DIMENSIONS IN INCHES [mm] 2 P.L.C. DEC # .02 [0.51] 9 P.L.C. DEC # .01 [0.25] ANGLES MATERIAL	DR 11-2-90 C.C. THOMAS	DATE 11-6-90
SEE CALLOUTS	APPRO [Signature]	11/7/90
FINISH	APPLICATION SPEC	SCALE 2:1
NAME LEAD ASS'Y, LGH-1, SINGLE MOLDED END	DESCRIPTION 863701	DATE 11-30-90
SIZE D CASE CODE 00779	DRAWING NO 863701	APPD [Signature]
WEIGHT	SHEET 1 OF 1	

CUSTOMER DRAWING

Данный компонент на территории Российской Федерации

Вы можете приобрести в компании MosChip.

Для оперативного оформления запроса Вам необходимо перейти по данной ссылке:

<http://moschip.ru/get-element>

Вы можете разместить у нас заказ для любого Вашего проекта, будь то серийное производство или разработка единичного прибора.

В нашем ассортименте представлены ведущие мировые производители активных и пассивных электронных компонентов.

Нашей специализацией является поставка электронной компонентной базы двойного назначения, продукции таких производителей как XILINX, Intel (ex.ALTERA), Vicor, Microchip, Texas Instruments, Analog Devices, Mini-Circuits, Amphenol, Glenair.

Сотрудничество с глобальными дистрибьюторами электронных компонентов, предоставляет возможность заказывать и получать с международных складов практически любой перечень компонентов в оптимальные для Вас сроки.

На всех этапах разработки и производства наши партнеры могут получить квалифицированную поддержку опытных инженеров.

Система менеджмента качества компании отвечает требованиям в соответствии с ГОСТ Р ИСО 9001, ГОСТ РВ 0015-002 и ЭС РД 009

Офис по работе с юридическими лицами:

105318, г.Москва, ул.Щербаковская д.3, офис 1107, 1118, ДЦ «Щербаковский»

Телефон: +7 495 668-12-70 (многоканальный)

Факс: +7 495 668-12-70 (доб.304)

E-mail: info@moschip.ru

Skype отдела продаж:

moschip.ru

moschip.ru_4

moschip.ru_6

moschip.ru_9