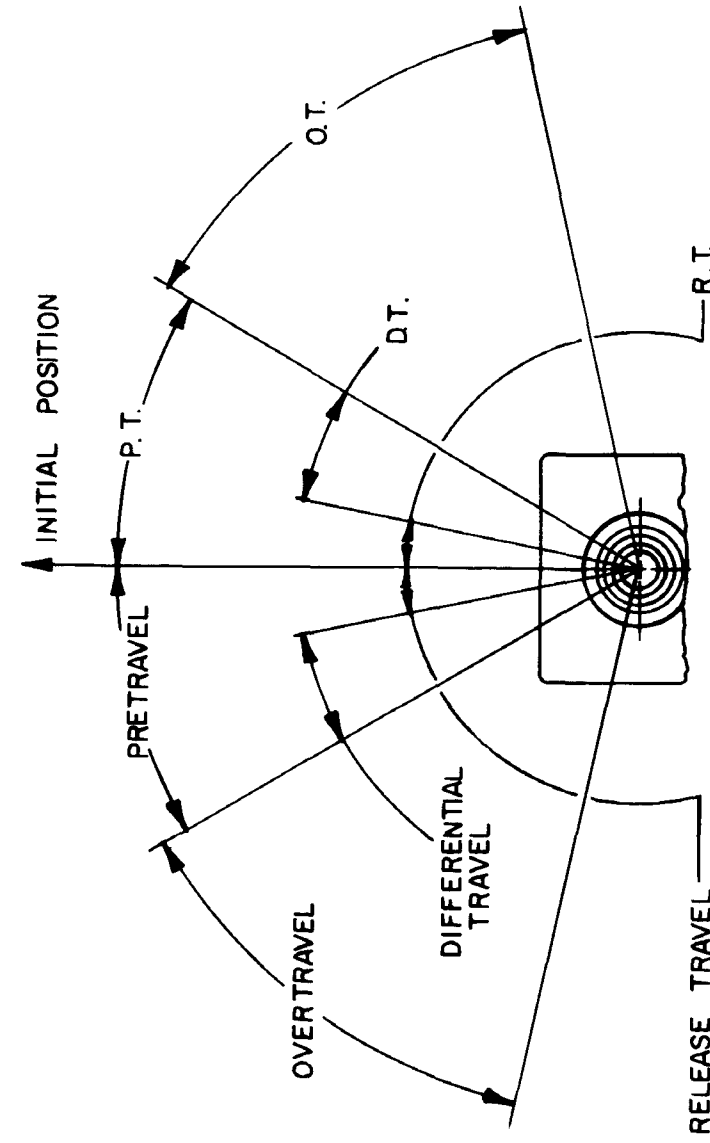
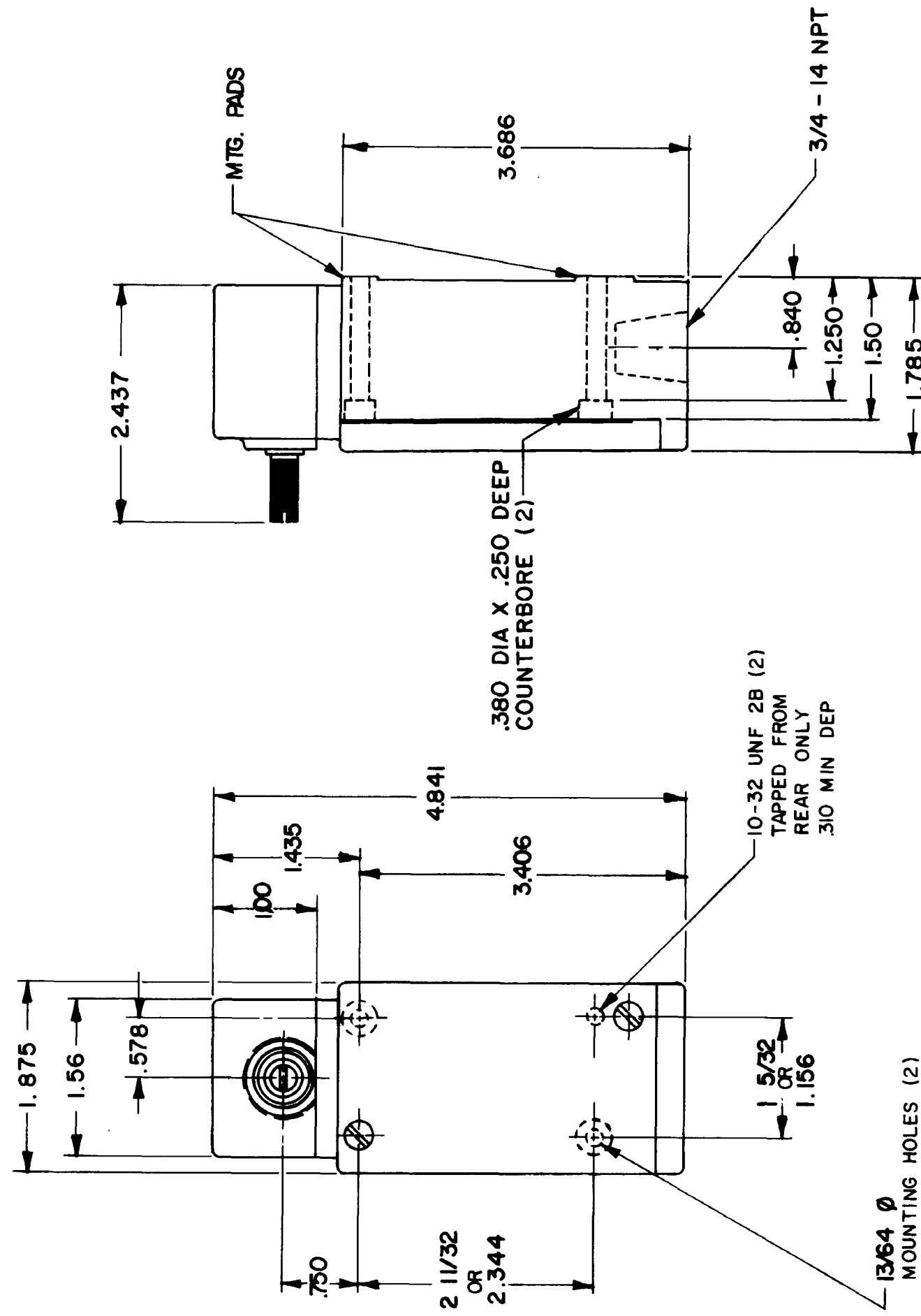


**SINGLE POLE
AND
DOUBLE POLE
(NON PLUG IN)**

SIDE ROTARY



OPERATING CHARACTERISTICS	LS2A MOMENTARY	LS2M CENTER NEUTRAL DOUBLE POLE ONLY	LS2N MAINTAINED	LS2H MOMENTARY LOW PRETRAVEL & LOW TORQUE	LS2L SEQUENCE DOUBLE POLE ONLY
PRETRAVEL (MAX)	15°	18°	65°	9°	1ST STEP 15° - 2 ND STEP 10° ADD 1'
OVERTRAVEL (MIN)	60°	57°	20°	66°	48°
DIFFERENTIAL TRAVEL (MAX)	Single Pole 5° Double Pole 7°	10°	40°	Single Pole 3° Double Pole 4°	5°
TOTAL TRAVEL (REF)	75°	75°	90°	75°	75°
OPERATING TORQUE (MAX)	4 IN. LBS	4 IN. LBS	4 IN. LBS	1.7 IN. LBS	4 IN. LBS.
FULL TRAVEL TORQUE (MAX)	4 IN. LBS	4 IN. LBS	N/A	1.7 IN. LBS	4 IN. LBS.

THIRD ANGLE PROJECTION
SCALE NONE
DO NOT SCALE PRINT

THIS DRAWING COVERS A PROPRIETARY ITEM AND IS THE PROPERTY OF MICRO SWITCH A DIVISION OF HONEYWELL THIS DRAWING IS NOT TO BE COPIED OR USED WITHOUT THE APPROVAL OF MICRO SWITCH

MICRO SWITCH FREEPORT ILLINOIS U.S.A. A DIVISION OF HONEYWELL FED. MFG. CODE 91929	SWITCH - ENCLOSED		CATALOG LISTING LS2 SERIES
			CHART 1

MASTER REDUCED

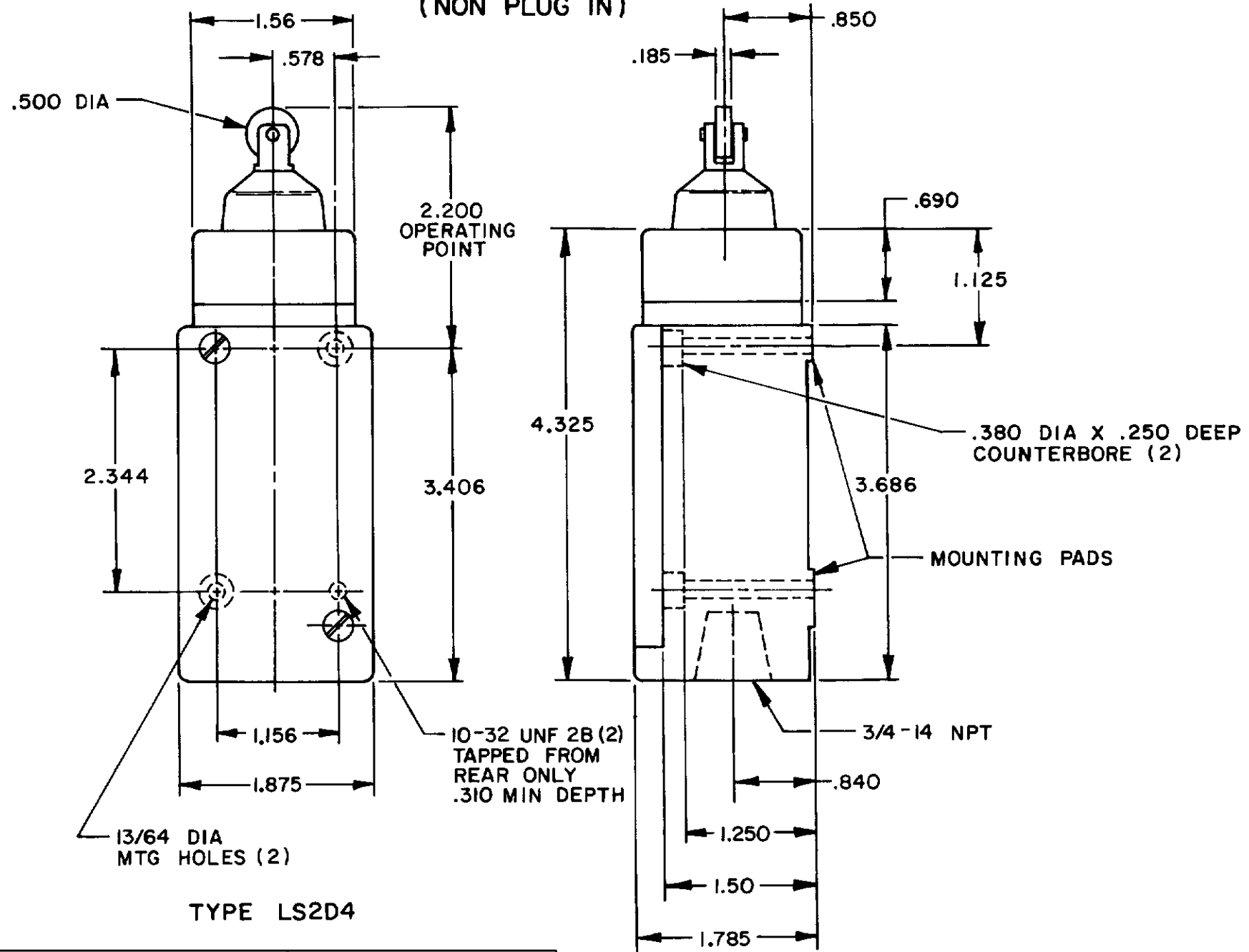
CATALOG LISTING
LS2 SERIES
CHART 1
 PAGE 2 OF 4
 ISSUE 7
 REVISIONS
 A CO 82000 JAK 13 NOV 95
 B CO 83227 JAK 6 NOV 96
 C CO93789 DLT 29 OCT 98
 D 204630 CSL 2 JAN 02
 E 206344 MDM 5 SEP 02
 F 0002358 CSL 2 DEC 03
 CHECK J A F 17 NOV 95
 CHECK J A F 13 NOV 95
 DRAWN J A K

MICRO SWITCH
 a Honeywell Division
 FED. MFG. CODE 91929

SWITCH - ENCLOSED

CATALOG LISTING
LS2 SERIES
CHART 1

PLUNGER TYPE TOP
SINGLE POLE AND DOUBLE POLE
(NON PLUG IN)



NOTE
 1 OPERATING POINT GIVEN IN RELATION TO TOP MOUNTING HOLE
 2 NOT APPLICABLE FOR 3N (DIRECT ACTING BASIC)

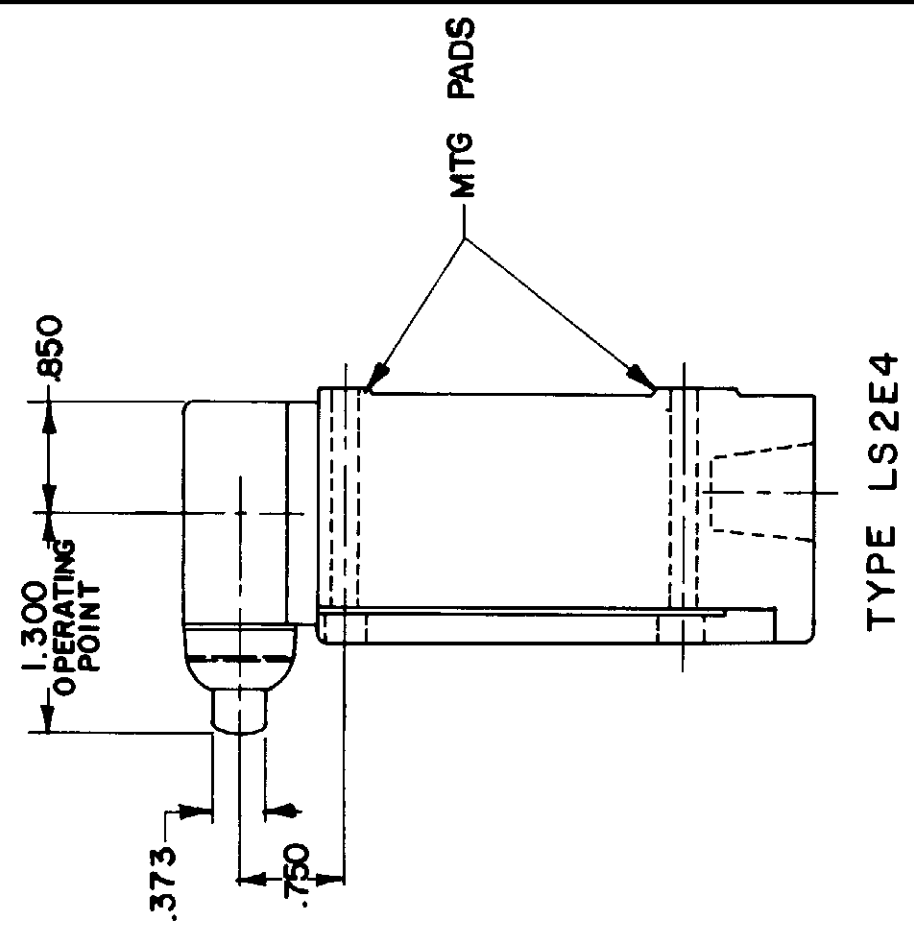
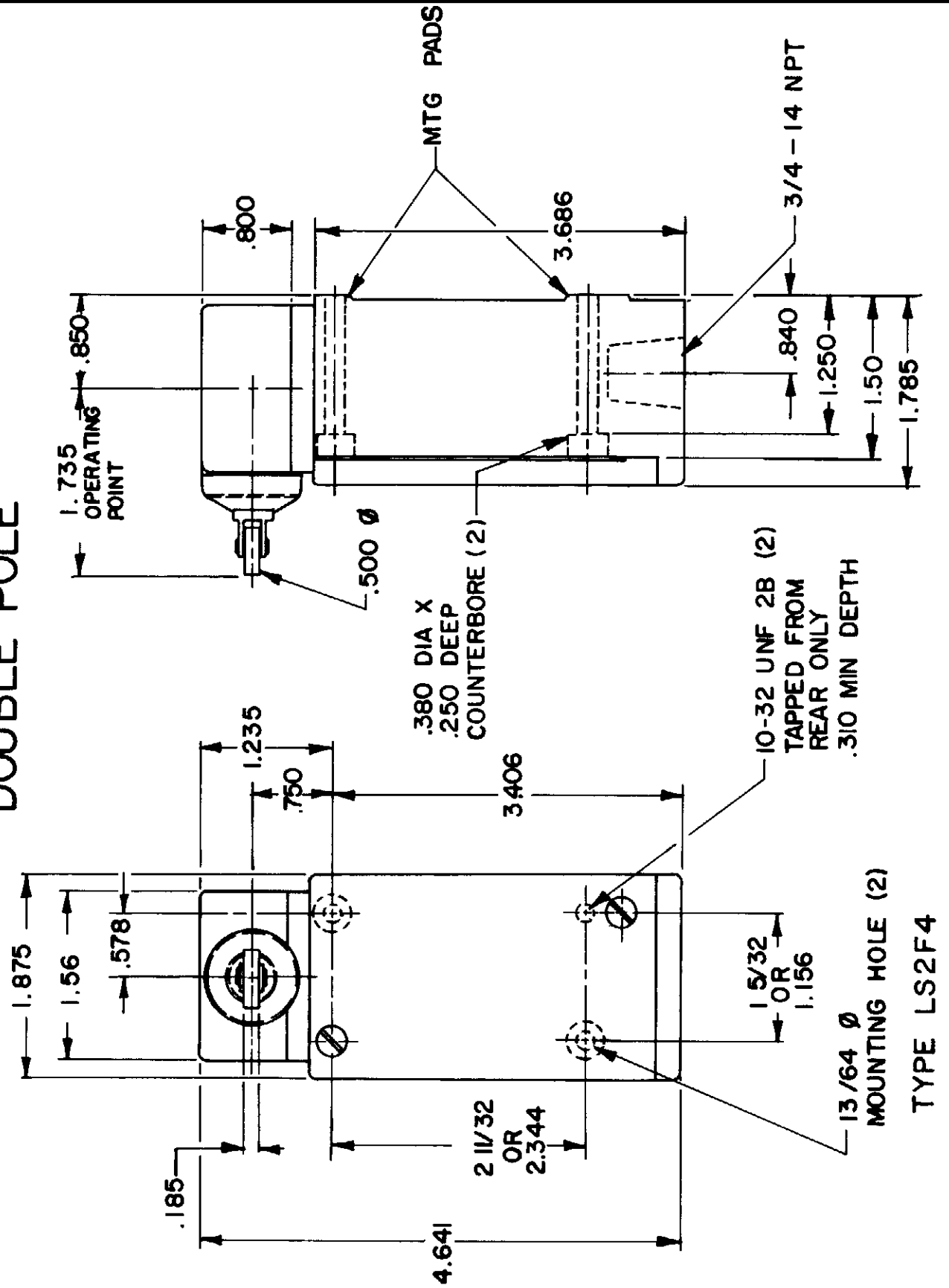
THIS DRAWING COVERS A PROPRIETARY ITEM AND IS THE PROPERTY OF MICRO SWITCH, A DIVISION OF HONEYWELL. THIS DRAWING IS NOT TO BE COPIED OR USED WITHOUT THE APPROVAL OF MICRO SWITCH		THIRD ANGLE PROJECTION
CHARACTERISTICS	ELECTRICAL DATA	SCALE NONE
OPERATING FORCE ----- 4 LBS MAX	CONTACT ARRANGEMENT	DO NOT SCALE PRINT
OPERATING POINT ----- 2.200 ± .040		UNLESS OTHERWISE SPECIFIED TOLERANCES ARE
FULL OVERTRAVEL FORCE --- 7 LBS MAX		ONE PLACE (.0) ± .030
PRETRAVEL ----- .070 MAX		TWO PLACE (.00) ± .015
DIFFERENTIAL TRAVEL --- S.P. - .015 MAX D.P. - .020 MAX 2		THREE PLACE (.000) ± .005
OVERTRAVEL ----- .190 MIN		ANGLES ±
		WEIGHT

RASTER DRAWN KEU 14 JUL 91
 CHECK JAF 8 AUG 94
 CHECK JAF 8 AUG 94
 CATALOG LISTING
LS2 SERIES CHART 1
 PAGE 3 OF 4
 RELEASE NO CO-78498 REPLACES LS2 SERIES

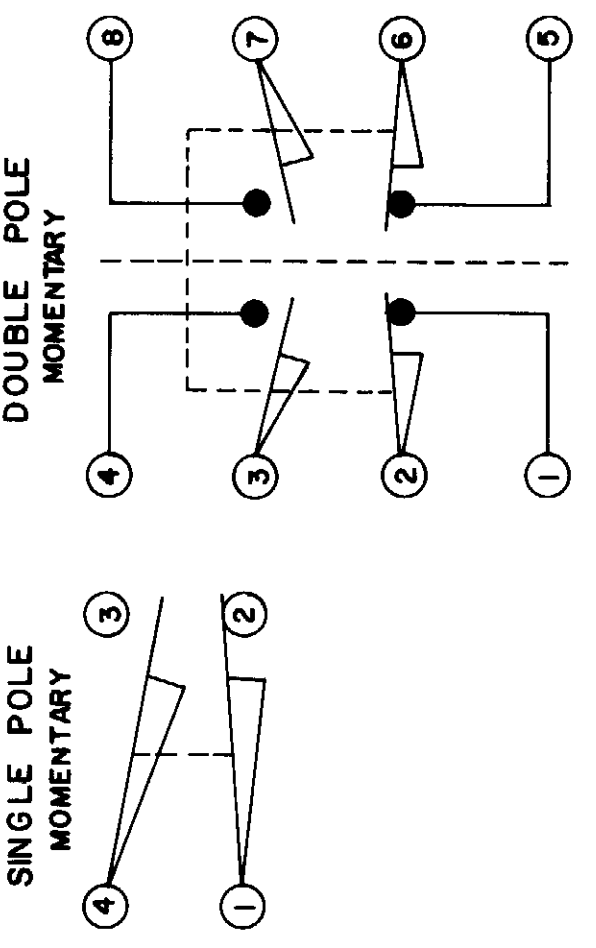
REVISIONS

A	CO93789	DLT	29 OCT 88
B	204630	CST	2 JAN 02
C	206344	MDM	5 SEP 02
D	0002358	CST	2 DEC 03

SIDE PLUNGER
 SINGLE POLE (NON PLUG IN)
 AND
 DOUBLE POLE



WIRING BASIC SWITCH
 (SAME POLARITY MUST BE OBSERVED FOR EACH POLE)



SEE SIDE VIEW FOR OPERATING POINTS

CHARACTERISTICS	DOUBLE POLE
PRETRAVEL (MAX)	.100
DIFFERENTIAL TRAVEL (MAX)	.045
OVERTRAVEL (MIN)	.190
OPERATING FORCE (MAX)	6 LBS
FULL OVERTRAVEL FORCE (MAX)	6 LBS

ELECTRICAL RATINGS

10 AMP CONT.

A.C. VOLTAGE	AMPS AT .35 POWER FACTOR			
	SINGLE POLE		DOUBLE POLE	
	MAKE	BREAK	MAKE	BREAK
120	60	6	30	3
240	30	3	15	1.5
480	15	1.5	7.5	.75
600	12	1.2	6	.6

D.C. VOLTAGE	MAKE & BREAK	
	INDUCTIVE	RESISTIVE
120	0.25	0.80
240	0.15	0.40

MASTER REDUCED

MICRO SWITCH FREEPORT ILLINOIS U.S.A. A DIVISION OF HONEYWELL FED. MFG. CODE 91929	SWITCH - ENCLOSED	CATALOG LISTING
		LS2 SERIES CHART 1

THIRD ANGLE PROJECTION
 SCALE NONE
 DO NOT SCALE PRINT

MICRO SWITCH
a Honeywell Division

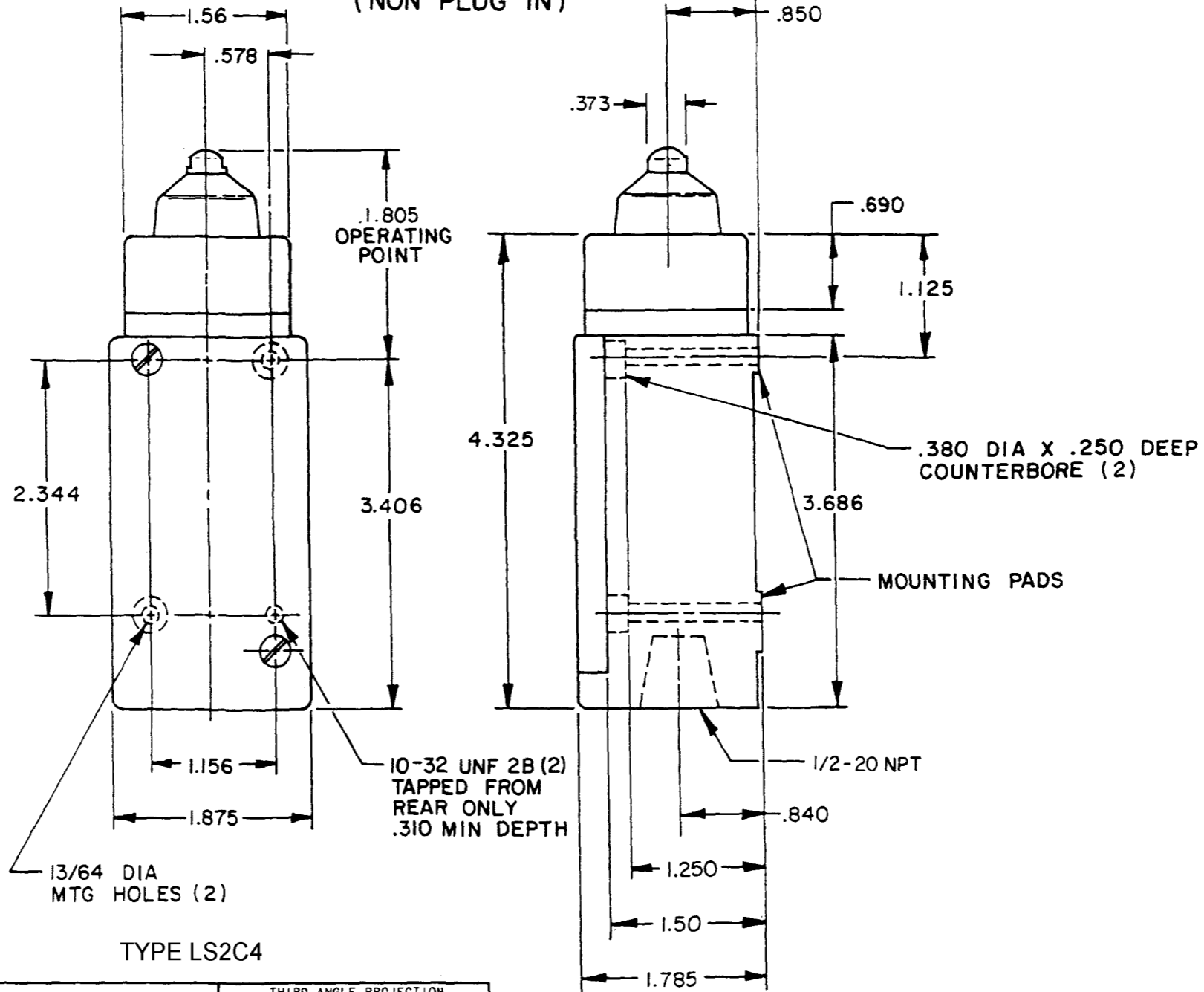
SWITCH - ENCLOSED

CATALOG LISTING
LS2 SERIES

CHART I

FED. MFG. CODE 91929

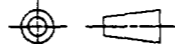
PLUNGER TYPE TOP (PLAIN)
SINGLE POLE AND DOUBLE POLE
(NON PLUG IN)



CATALOG LISTING
LS2 SERIES
CHART I
PAGE 4 OF 4
RELEASE NO. PR-20972
REPLACES
ISSUE
7
CHECK
REVISIONS
A CO-82000 JAK 13 NOV 95
B CO93789 DLT 29 OCT 98
C 204630 CSL 2 JAN 02
D 206344 MDM 5 SEP 02
E 0002358 CSL 2 DEC 03
CHECK KEU 13 JUN 94
DRAWN KEU 13 JUN 94
RASTER

THIS DRAWING COVERS A PROPRIETARY ITEM AND IS THE PROPERTY OF MICRO SWITCH, A DIVISION OF HONEYWELL. THIS DRAWING IS NOT TO BE COPIED OR USED WITHOUT THE APPROVAL OF MICRO SWITCH

THIRD ANGLE PROJECTION



CHARACTERISTICS	ELECTRICAL DATA
OPERATING FORCE ----- 4 LBS MAX	CONTACT ARRANGEMENT
DIFFERENTIAL FORCE ----- 1.805 ± .040	
RELEASE FORCE ----- 7 LBS MAX	
PRETRAVEL ----- .070 MAX	
DIFFERENTIAL TRAVEL ----- S. P. - .015 MAX D. P. - .020 MAX	
OVERTRAVEL ----- .190 MIN	

SCALE	NONE
DO NOT SCALE PRINT	
UNLESS OTHERWISE SPECIFIED TOLERANCES ARE	
ONE PLACE	(.0) ± .030
TWO PLACE	(.00) ± .015
THREE PLACE	(.000) ± .005
ANGLES	±
WEIGHT	

NOTE
1 OPERATING POINT GIVEN IN RELATION TO TOP MOUNTING HOLE

Данный компонент на территории Российской Федерации

Вы можете приобрести в компании MosChip.

Для оперативного оформления запроса Вам необходимо перейти по данной ссылке:

<http://moschip.ru/get-element>

Вы можете разместить у нас заказ для любого Вашего проекта, будь то серийное производство или разработка единичного прибора.

В нашем ассортименте представлены ведущие мировые производители активных и пассивных электронных компонентов.

Нашей специализацией является поставка электронной компонентной базы двойного назначения, продукции таких производителей как XILINX, Intel (ex.ALTERA), Vicor, Microchip, Texas Instruments, Analog Devices, Mini-Circuits, Amphenol, Glenair.

Сотрудничество с глобальными дистрибьюторами электронных компонентов, предоставляет возможность заказывать и получать с международных складов практически любой перечень компонентов в оптимальные для Вас сроки.

На всех этапах разработки и производства наши партнеры могут получить квалифицированную поддержку опытных инженеров.

Система менеджмента качества компании отвечает требованиям в соответствии с ГОСТ Р ИСО 9001, ГОСТ РВ 0015-002 и ЭС РД 009

Офис по работе с юридическими лицами:

105318, г.Москва, ул.Щербаковская д.3, офис 1107, 1118, ДЦ «Щербаковский»

Телефон: +7 495 668-12-70 (многоканальный)

Факс: +7 495 668-12-70 (доб.304)

E-mail: info@moschip.ru

Skype отдела продаж:

moschip.ru

moschip.ru_4

moschip.ru_6

moschip.ru_9