

## Main

|                           |                     |
|---------------------------|---------------------|
| Range of product          | Zelio Logic         |
| Product or component type | Compact smart relay |

## Complementary

|                                        |                                                                                                                                                                                                                                                                                                                                                        |
|----------------------------------------|--------------------------------------------------------------------------------------------------------------------------------------------------------------------------------------------------------------------------------------------------------------------------------------------------------------------------------------------------------|
| Local display                          | With                                                                                                                                                                                                                                                                                                                                                   |
| Number of control scheme lines         | 0...500 with FBD programming<br>0...240 with ladder programming                                                                                                                                                                                                                                                                                        |
| Cycle time                             | 6...90 ms                                                                                                                                                                                                                                                                                                                                              |
| Backup time                            | 10 years at 77 °F (25 °C)                                                                                                                                                                                                                                                                                                                              |
| Clock drift                            | 6 s/month at 77 °F (25 °C)<br>12 min/year at 32...131 °F (0...55 °C)                                                                                                                                                                                                                                                                                   |
| Checks                                 | Program memory on each power up                                                                                                                                                                                                                                                                                                                        |
| [Us] rated supply voltage              | 24 V                                                                                                                                                                                                                                                                                                                                                   |
| Supply voltage limits                  | 20.4...28.8 V                                                                                                                                                                                                                                                                                                                                          |
| Supply frequency                       | 50/60 Hz                                                                                                                                                                                                                                                                                                                                               |
| Supply current                         | 145 mA (without extension)                                                                                                                                                                                                                                                                                                                             |
| Power consumption in VA                | 4 VA without extension                                                                                                                                                                                                                                                                                                                                 |
| Isolation voltage                      | 1780 V                                                                                                                                                                                                                                                                                                                                                 |
| Protection type                        | Against inversion of terminals (control instructions not executed)                                                                                                                                                                                                                                                                                     |
| Discrete input number                  | 8                                                                                                                                                                                                                                                                                                                                                      |
| Discrete input voltage                 | 24 V AC                                                                                                                                                                                                                                                                                                                                                |
| Discrete input current                 | 4.4 mA                                                                                                                                                                                                                                                                                                                                                 |
| Discrete input frequency               | 47...53 Hz<br>57...63 Hz                                                                                                                                                                                                                                                                                                                               |
| Voltage state 1 guaranteed             | $\geq 14$ V for discrete input                                                                                                                                                                                                                                                                                                                         |
| Voltage state 0 guaranteed             | $\leq 5$ V for discrete input                                                                                                                                                                                                                                                                                                                          |
| Current state 1 guaranteed             | $\geq 2$ mA for discrete input                                                                                                                                                                                                                                                                                                                         |
| Current state 0 guaranteed             | $\leq 0.5$ mA for discrete input                                                                                                                                                                                                                                                                                                                       |
| Input impedance                        | 4.6 kOhm (discrete input)                                                                                                                                                                                                                                                                                                                              |
| Number of outputs                      | 4 relay output(s)                                                                                                                                                                                                                                                                                                                                      |
| Output voltage limits                  | 24...250 V AC<br>5...30 V DC (relay output)                                                                                                                                                                                                                                                                                                            |
| Contacts type and composition          | NO relay output                                                                                                                                                                                                                                                                                                                                        |
| Output thermal current                 | 8 A for all 4 outputs (relay output)                                                                                                                                                                                                                                                                                                                   |
| Electrical durability                  | 500000 cycles AC-12 at 230 V, 1.5 A for relay output conforming to EN/IEC 60947-5-1<br>500000 cycles AC-15 at 230 V, 0.9 A for relay output conforming to EN/IEC 60947-5-1<br>500000 cycles DC-12 at 24 V, 1.5 A for relay output conforming to EN/IEC 60947-5-1<br>500000 cycles DC-13 at 24 V, 0.6 A for relay output conforming to EN/IEC 60947-5-1 |
| Switching capacity in mA               | $\geq 10$ mA at 12 V (relay output)                                                                                                                                                                                                                                                                                                                    |
| Operating rate in Hz                   | 0.1 Hz (at Ie) for relay output<br>10 Hz (no load) for relay output                                                                                                                                                                                                                                                                                    |
| Mechanical durability                  | 10000000 cycles (relay output)                                                                                                                                                                                                                                                                                                                         |
| [Uimp] rated impulse withstand voltage | 4 kV conforming to EN/IEC 60947-1 and EN/IEC 60664-1                                                                                                                                                                                                                                                                                                   |
| Clock                                  | With                                                                                                                                                                                                                                                                                                                                                   |

The information provided in this documentation contains general descriptions and/or technical characteristics of the performance of the products contained herein. This documentation is not intended as a substitute for and is not to be used for determining suitability or reliability of these products for specific user applications. It is the duty of any such user or integrator to perform the appropriate and complete risk analysis, evaluation and testing of the products with respect to the relevant specific application or use thereof. Neither Schneider Electric Industries SAS nor any of its affiliates or subsidiaries shall be responsible or liable for misuse of the information contained herein.

|                         |                                                                                                                                                                                                                                                                                                                                                                                                                                                                                                                                     |
|-------------------------|-------------------------------------------------------------------------------------------------------------------------------------------------------------------------------------------------------------------------------------------------------------------------------------------------------------------------------------------------------------------------------------------------------------------------------------------------------------------------------------------------------------------------------------|
| Response time           | 10 ms (from state 0 to state 1) relay output<br>5 ms (from state 1 to state 0) relay output<br>50 ms with ladder programming (from state 0 to state 1) discrete input<br>50 ms with ladder programming (from state 1 to state 0) discrete input<br>50...255 ms with FBD programming (from state 0 to state 1) discrete input<br>50...255 ms with FBD programming (from state 1 to state 0) discrete input                                                                                                                           |
| Connections - terminals | Screw terminals, clamping capacity: 1 x 0.2...1 x 2.5 mm <sup>2</sup> AWG 25...AWG 14 semi-solid<br>Screw terminals, clamping capacity: 1 x 0.2...1 x 2.5 mm <sup>2</sup> AWG 25...AWG 14 solid<br>Screw terminals, clamping capacity: 1 x 0.25...1 x 2.5 mm <sup>2</sup> AWG 24...AWG 14 flexible with cable end<br>Screw terminals, clamping capacity: 2 x 0.2...2 x 1.5 mm <sup>2</sup> AWG 24...AWG 16 solid<br>Screw terminals, clamping capacity: 2 x 0.25...2 x 0.75 mm <sup>2</sup> AWG 24...AWG 18 flexible with cable end |
| Tightening torque       | 4.42 lbf.in (0.5 N.m)                                                                                                                                                                                                                                                                                                                                                                                                                                                                                                               |
| Overvoltage category    | III conforming to EN/IEC 60664-1                                                                                                                                                                                                                                                                                                                                                                                                                                                                                                    |
| Product weight          | 0.55 lb(US) (0.25 kg)                                                                                                                                                                                                                                                                                                                                                                                                                                                                                                               |

## Environment

|                                       |                                                                                                                                                                                                                                                         |
|---------------------------------------|---------------------------------------------------------------------------------------------------------------------------------------------------------------------------------------------------------------------------------------------------------|
| immunity to microbreaks               | <= 10 ms repeated 20 times                                                                                                                                                                                                                              |
| product certifications                | CSA<br>C-Tick<br>GL<br>GOST<br>UL                                                                                                                                                                                                                       |
| standards                             | EN/IEC 60068-2-27 Ea<br>EN/IEC 60068-2-6 Fc<br>EN/IEC 61000-4-11<br>EN/IEC 61000-4-12<br>EN/IEC 61000-4-2 level 3<br>EN/IEC 61000-4-3<br>EN/IEC 61000-4-4 level 3<br>EN/IEC 61000-4-5<br>EN/IEC 61000-4-6 level 3                                       |
| IP degree of protection               | IP20 (terminal block) conforming to IEC 60529<br>IP40 (front panel) conforming to IEC 60529                                                                                                                                                             |
| environmental characteristic          | EMC directive conforming to EN/IEC 61000-6-2<br>EMC directive conforming to EN/IEC 61000-6-3<br>EMC directive conforming to EN/IEC 61000-6-4<br>EMC directive conforming to EN/IEC 61131-2 zone B<br>Low voltage directive conforming to EN/IEC 61131-2 |
| disturbance radiated/conducted        | Class B conforming to EN 55022-11 group 1                                                                                                                                                                                                               |
| pollution degree                      | 2 conforming to EN/IEC 61131-2                                                                                                                                                                                                                          |
| ambient air temperature for operation | -4...104 °F (-20...40 °C) in non-ventilated enclosure conforming to IEC 60068-2-1 and IEC 60068-2-2<br>-4...131 °F (-20...55 °C) conforming to IEC 60068-2-1 and IEC 60068-2-2                                                                          |
| ambient air temperature for storage   | -40...158 °F (-40...70 °C)                                                                                                                                                                                                                              |
| operating altitude                    | 6561.68 ft (2000 m)                                                                                                                                                                                                                                     |
| altitude transport                    | <= 10000 ft (3048 m)                                                                                                                                                                                                                                    |
| relative humidity                     | 95 % without condensation or dripping water                                                                                                                                                                                                             |

## Offer Sustainability

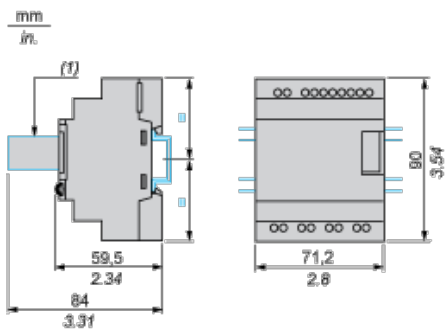
|                                                                                                                                  |                                                                                                                                  |
|----------------------------------------------------------------------------------------------------------------------------------|----------------------------------------------------------------------------------------------------------------------------------|
| WARNING: This product can expose you to chemicals including:                                                                     | WARNING: This product can expose you to chemicals including:                                                                     |
| Lead and lead compounds, which is known to the State of California to cause cancer and birth defects or other reproductive harm. | Lead and lead compounds, which is known to the State of California to cause cancer and birth defects or other reproductive harm. |
| For more information go to <a href="http://www.p65warnings.ca.gov">www.p65warnings.ca.gov</a>                                    | For more information go to <a href="http://www.p65warnings.ca.gov">www.p65warnings.ca.gov</a>                                    |

## Contractual warranty

|                 |           |
|-----------------|-----------|
| Warranty period | 18 months |
|-----------------|-----------|

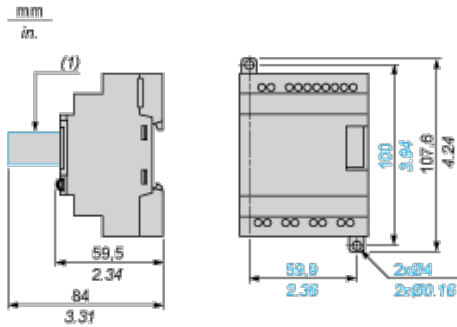
## Compact and Modular Smart Relays

Mounting on 35 mm/1.38 in. DIN Rail



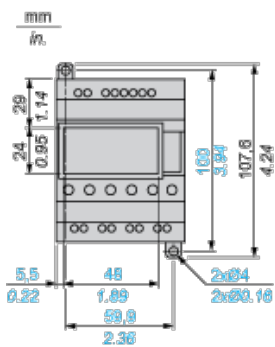
(1) With SR2USB01 or SR2BTC01

### Screw Fixing (Retractable Lugs)



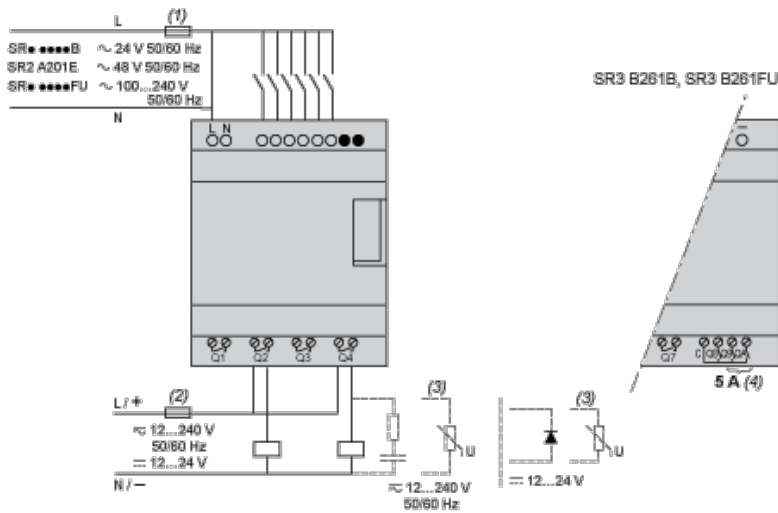
(1) With SR2USB01 or SR2BTC01

### Position of Display



## Connection of Smart Relays on AC Supply

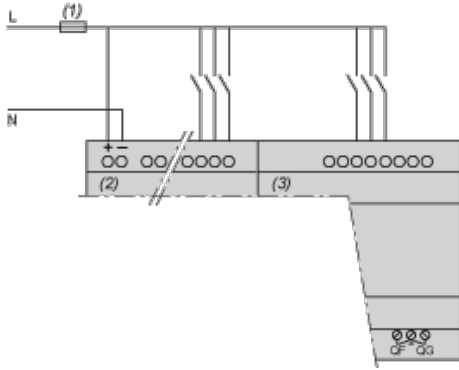
### SR\*\*\*1B, SR\*\*\*1FU



- (1) 1 A quick-blow fuse or circuit-breaker.
- (2) Fuse or circuit-breaker.
- (3) Inductive load.
- (4) Q9 and QA: 5 A (max. current in terminal C: 10 A).

**With Discrete I/O Extension Module**

SR3B...B + SR3XT...B, SR3B...FU + SR3XT...FU



(1) 1 A quick-blow fuse or circuit-breaker.

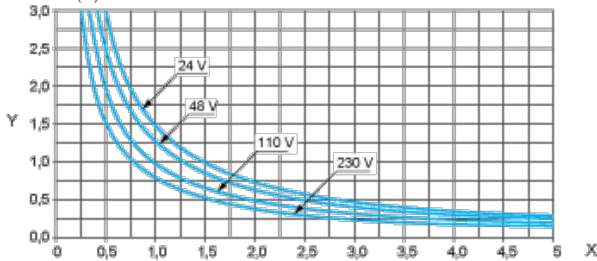
**NOTE:** QF and QG: 5 A for SR3XT141..

**Compact and Modular Smart Relays**

**Electrical Durability of Relay Outputs**

(in millions of operating cycles, conforming to IEC/EN 60947-5-1)

AC-12 (1)

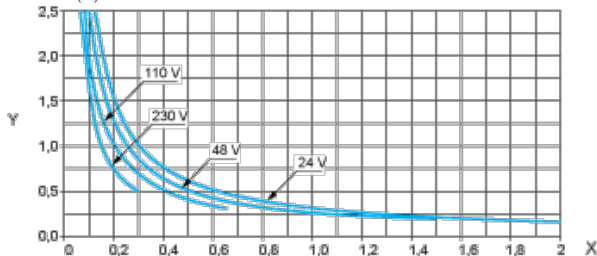


X: Current (A)

Y: Millions of operating cycles

(1) AC-12: switching resistive loads and opto-coupler isolated solid-state loads,  $\cos \geq 0.9$ .

AC-14 (1)

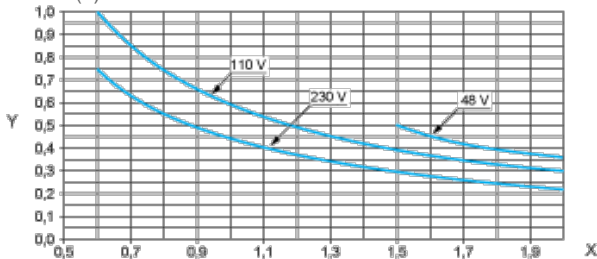


X: Current (A)

Y: Millions of operating cycles

(1) AC-14: switching small electromagnetic loads  $\leq 72$  VA, make:  $\cos = 0.3$ , break:  $\cos = 0.3$ .

AC-15 (1)



X: Current (A)

Y: Millions of operating cycles

(1) AC-15: switching electromagnetic loads  $\geq 72$  VA, make:  $\cos = 0.7$ , break:  $\cos = 0.4$ .

## Данный компонент на территории Российской Федерации

### Вы можете приобрести в компании MosChip.

Для оперативного оформления запроса Вам необходимо перейти по данной ссылке:

<http://moschip.ru/get-element>

Вы можете разместить у нас заказ для любого Вашего проекта, будь то серийное производство или разработка единичного прибора.

В нашем ассортименте представлены ведущие мировые производители активных и пассивных электронных компонентов.

Нашей специализацией является поставка электронной компонентной базы двойного назначения, продукции таких производителей как XILINX, Intel (ex.ALTERA), Vicor, Microchip, Texas Instruments, Analog Devices, Mini-Circuits, Amphenol, Glenair.

Сотрудничество с глобальными дистрибьюторами электронных компонентов, предоставляет возможность заказывать и получать с международных складов практически любой перечень компонентов в оптимальные для Вас сроки.

На всех этапах разработки и производства наши партнеры могут получить квалифицированную поддержку опытных инженеров.

Система менеджмента качества компании отвечает требованиям в соответствии с ГОСТ Р ИСО 9001, ГОСТ РВ 0015-002 и ЭС РД 009

### Офис по работе с юридическими лицами:

105318, г.Москва, ул.Щербаковская д.3, офис 1107, 1118, ДЦ «Щербаковский»

Телефон: +7 495 668-12-70 (многоканальный)

Факс: +7 495 668-12-70 (доб.304)

E-mail: [info@moschip.ru](mailto:info@moschip.ru)

Skype отдела продаж:

moschip.ru

moschip.ru\_4

moschip.ru\_6

moschip.ru\_9