

# THC63LVDM83E

## SMALL PACKAGE / 24Bit COLOR LVDS TRANSMITTER

### General Description

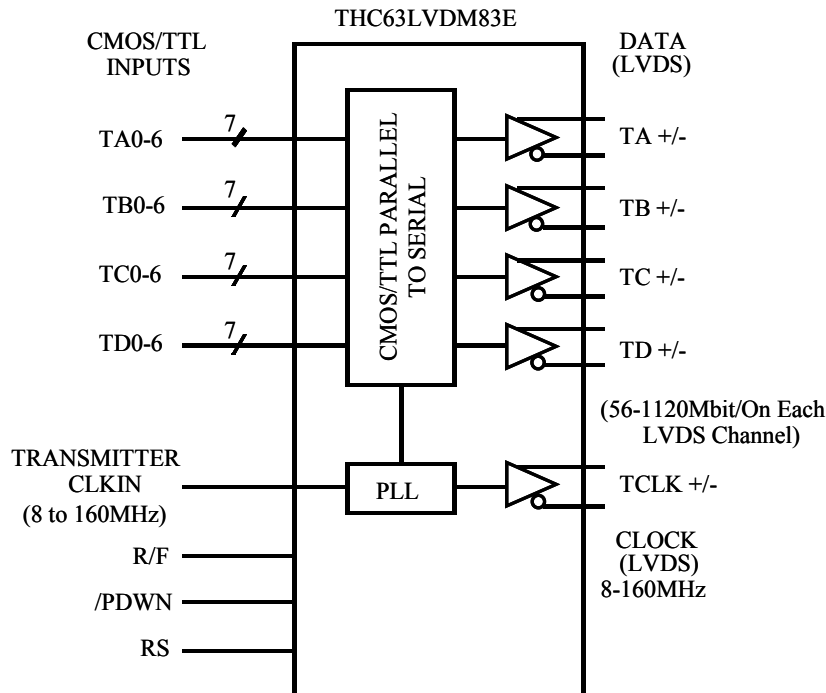
The THC63LVDM83E transmitter is designed to support pixel data transmission between Host and Flat Panel Display up to 1080p/WUXGA resolutions.

The THC63LVDM83E converts 28bits of CMOS/TTL data into LVDS (Low Voltage Differential Signaling) data stream. The transmitter can be programmed for rising edge or falling edge clocks through a dedicated pin. At a transmit clock frequency of 160MHz, 24bits of RGB data and 4bits of timing and control data (HSYNC, VSYNC, DE, CONT1) are transmitted at an effective rate of 1120Mbps per LVDS channel.

### Features

- 49pin 0.65mm pitch VFBGA Package
- Wide dot clock range: 8-160MHz suited for  
TV Signal : NTSC(12.27MHz) - 1080p(148.5MHz)  
PC Signal : QVGA(8MHz) - WUXGA(154MHz)
- 1.2V to 3.3V CMOS inputs are supported.
- LVDS swing is reducible by RS-pin to reduce EMI and power consumption.
- PLL requires no external components.
- On chip jitter filtering.
- Spread Spectrum Clock input tolerant.
- Power down mode.
- Input clock triggering edge is selectable by R/F-pin.
- Operates from a Single 3.3V Supply and 110mW(typ.) at 75MHz.

### Block Diagram



Ball Out

**TOP VIEW**

	1	2	3	4	5	6	7	
A	TA6	TA5	TA4	TA3	TA2	TA1	TA0	A
B	TB4	TD3	TD2	TD1	TD0	TA-	TA+	B
C	TB5	TB0	GND	VCC	RS	TB-	TB+	C
D	TB6	TB1	GND	LVDS VCC	LVDS VCC	TC-	TC+	D
E	TC0	TB2	GND	PLL VCC	R/F	TCLK-	TCLK+	E
F	TC1	TB3	TD4	TD5	TD6	TD-	TD+	F
G	TC2	TC3	TC4	TC5	TC6	CLKIN	/PDWN	G
	1	2	3	4	5	6	7	

Pin Description

Pin Name	Pin #	Direction	Type	Description		
TA+, TA-	B7, B6	Output	LVDS	LVDS Data Out		
TB+, TB-	C7, C6					
TC+, TC-	D7, D6					
TD+, TD-	F7, F6					
TCLK+, TCLK-	E7, E6			LVDS Clock Out		
TA0 ~ TA6	A7, A6, A5, A4, A3, A2, A1	Input	LV-CMOS /TTL	Pixel Data Input		
TB0 ~ TB6	C2, D2, E2, F2, B1, C1, D1					
TC0 ~ TC6	E1, F1, G1, G2, G3, G4, G5					
TD0 ~ TD6	B5, B4, B3, B2, F3, F4, F5					
/PDWN	G7			H : Normal operation L : Power down (all outputs are Hi-Z)		
RS	C5			LVDS swing mode, VREF select See Fig.5, 6		
				RS	LVDS Swing	Small Swing Input Support
				VCC	350mV	N/A
				0.6 ~ 1.4V	350mV	RS=VREF
				GND	200mV	N/A
R/F	E5	VREF is Input Reference Voltage				
CLKIN	G6	Input Clock Triggering Edge Select				
		H : Rising edge L : Falling edge				
CLKIN	G6	Input Clock				
VCC	C4	Power	---	Power Supply Pin for CMOS input and digital circuit.		
GND	C3, D3, E3			Ground Pins for Common.		
LVDS VCC	D4, D5			Power Supply Pins for LVDS Outputs.		
PLL VCC	E4			Power Supply Pin for PLL circuit.		

Absolute Maximum Ratings

Parameter	Min	Max	Units
Supply Voltage	-0.3	+4.0	V
LV-CMOS/TTL Input Voltage	-0.3	VCC + 0.3	V
LVDS Transmitter Output Voltage	-0.3	VCC + 0.3	V
Output Current	-30	30	mA
Junction Temperature		+125	°C
Storage Temperature	-55	+125	°C
Reflow Peak Temperature		+260	°C
Reflow Peak Temperature Time		10	sec
Maximum Power Dissipation @+25°C		1.2	W

Recommended Operating Conditions

Symbol	Parameter	Min	Typ	Max	Units
	All Supply Voltage	3.0	3.3	3.6	V
Ta	Operating Ambient Temperature	0	25	+70	°C
	Clock Frequency	8		160	MHz

**Power Consumption**

VCC = 3.0~3.6V, Ta= 0~+70°C

Symbol	Parameter	Conditions	Typ*	Max	Units
I <sub>TCCW</sub>	LVDS Transmitter Operating Current Gray Scale Pattern 16 (Fig.1)	RL=100Ω, CL=5pF, f=85MHz RS=VCC, (RS=GND)	42 (34)		mA
		RL=100Ω, CL=5pF, f=160MHz RS=VCC, (RS=GND)	58 (50)		mA
	LVDS Transmitter Operating Current Worst Case Pattern (Fig.2)	RL=100Ω, CL=5pF, f=85MHz RS=VCC, (RS=GND)	45 (36)	67 (56)	mA
		RL=100Ω, CL=5pF, f=160MHz RS=VCC, (RS=GND)	63 (55)	92 (80)	mA
I <sub>TCCS</sub>	LVDS Transmitter Power Down Current			10	μA

\*Typ values are at VCC=3.3V, Ta = +25°C

**16 Grayscale Pattern**

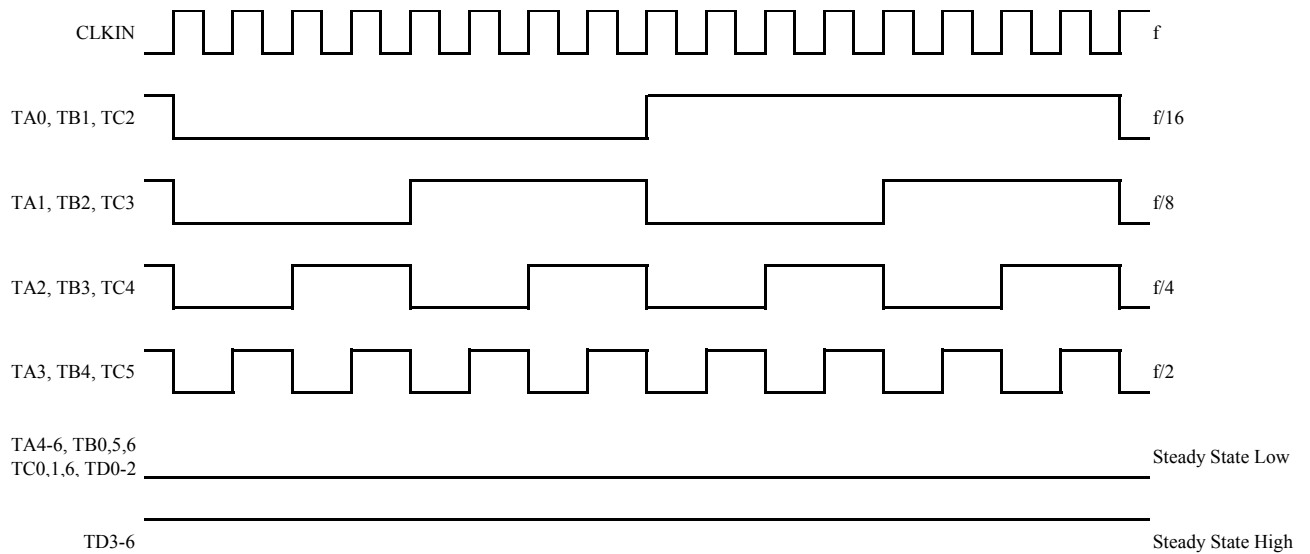
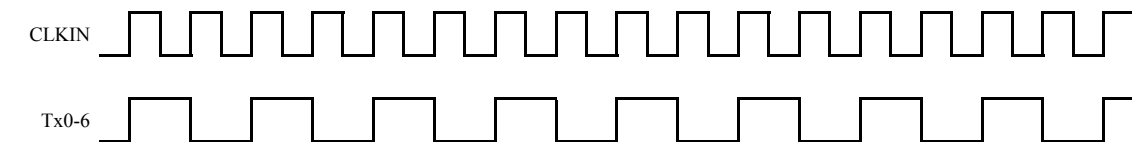


Fig.1 16 Grayscale Pattern

**Worst Case Pattern**



x=A,B,C,D

Fig.2 Worst Case Pattern

Electrical Characteristics

**LV-CMOS/TTL DC Specifications**

VCC = 3.0~3.6V, Ta= 0~+70°C

Symbol	Parameter	Conditions	Min	Typ	Max	Units
V <sub>IH</sub>	High Level Input Voltage	RS=VCC or GND	2.0		VCC	V
V <sub>IL</sub>	Low Level Input Voltage	RS=VCC or GND	GND		0.8	V
V <sub>DDQ</sub> <sup>1</sup>	Small Swing Voltage		1.2		2.8	V
V <sub>REF</sub>	Input Reference Voltage	Small Swing (RS=V <sub>DDQ</sub> /2)		V <sub>DDQ</sub> /2		
V <sub>SH</sub> <sup>2</sup>	Small Swing High Level Input Voltage	V <sub>REF</sub> = V <sub>DDQ</sub> /2	V <sub>DDQ</sub> /2 +100mV			V
V <sub>SL</sub> <sup>2</sup>	Small Swing Low Level Input Voltage	V <sub>REF</sub> = V <sub>DDQ</sub> /2			V <sub>DDQ</sub> /2 -100mV	V
I <sub>INC</sub>	Input Current	GND ≤ V <sub>IN</sub> ≤ VCC			±10	μA

\*Typ values are at VCC=3.3V, Ta= +25°C

Notes : <sup>1</sup> V<sub>DDQ</sub> voltage defines max voltage of small swing input. It is not an actual input voltage.

<sup>2</sup> Small swing signal is applied to TA0-6, TB0-6, TC0-6, TD0-6 and CLKIN.

**LVDS Transmitter DC Specifications**

VCC = 3.0~3.6V, Ta= 0~+70°C

Symbol	Parameter	Conditions		Min	Typ	Max	Units
VOD	Differential Output Voltage	RL=100Ω	Normal swing RS=VCC	250	350	450	mV
			Reduced swing RS=GND	120	200	300	mV
ΔVOD	Change in VOD between complementary output states					35	mV
VOC	Common Mode Voltage	RL=100Ω		1.125	1.25	1.375	V
ΔVOC	Change in VOC between complementary output states					35	mV
I <sub>OS</sub>	Output Short Circuit Current	V <sub>OUT</sub> =GND, RL=100Ω				-24	mA
I <sub>OZ</sub>	Output TRI-STATE Current	/PDWN=GND, V <sub>OUT</sub> =GND to VCC				±10	μA

\*Typ values are at VCC=3.3V, Ta= +25°C

**LV-CMOS/TTL & LVDS Transmitter AC Specifications**

VCC = 3.0~3.6V, Ta= 0~+70°C

Symbol	Parameter	Min	Typ	Max	Units
t <sub>TCIT</sub>	CLK IN Transition Time			5.0	ns
t <sub>TCP</sub>	CLK IN Period	6.25	T	125	ns
t <sub>TCH</sub>	CLK IN High Time	0.35T	0.5T	0.65T	ns
t <sub>TCL</sub>	CLK IN Low Time	0.35T	0.5T	0.65T	ns
t <sub>TCD</sub>	CLK IN to TCLK+/- Delay		3T		ns
t <sub>TS</sub>	LV-CMOS/TTL Data Setup to CLK IN	2.0			ns
t <sub>TH</sub>	LV-CMOS/TTL Data Hold from CLK IN	0.0			ns
t <sub>LVT</sub>	LVDS Transition Time		0.6	1.5	ns
t <sub>TOP1</sub>	Output Data Position0 (T=6.25ns ~ 20ns)	-0.15	0.0	+0.15	ns
t <sub>TOP0</sub>	Output Data Position1 (T=6.25ns ~ 20ns)	T/7-0.15	T/7	T/7+0.15	ns
t <sub>TOP6</sub>	Output Data Position2 (T=6.25ns ~ 20ns)	2T/7-0.15	2T/7	2T/7+0.15	ns
t <sub>TOP5</sub>	Output Data Position3 (T=6.25ns ~ 20ns)	3T/7-0.15	3T/7	3T/7+0.15	ns
t <sub>TOP4</sub>	Output Data Position4 (T=6.25ns ~ 20ns)	4T/7-0.15	4T/7	4T/7+0.15	ns
t <sub>TOP3</sub>	Output Data Position5 (T=6.25ns ~ 20ns)	5T/7-0.15	5T/7	5T/7+0.15	ns
t <sub>TOP2</sub>	Output Data Position6 (T=6.25ns ~ 20ns)	6T/7-0.15	6T/7	6T/7+0.15	ns
t <sub>TPLL</sub>	Phase Lock Loop Set			10.0	ms

\*Typ values are at VCC=3.3V, Ta = +25°C

**LV-CMOS/TTL Input**

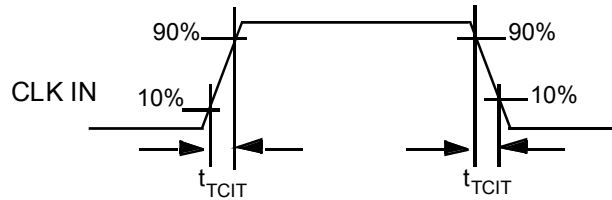


Fig.3 CLKIN Transmission Time

**LVDS Output**

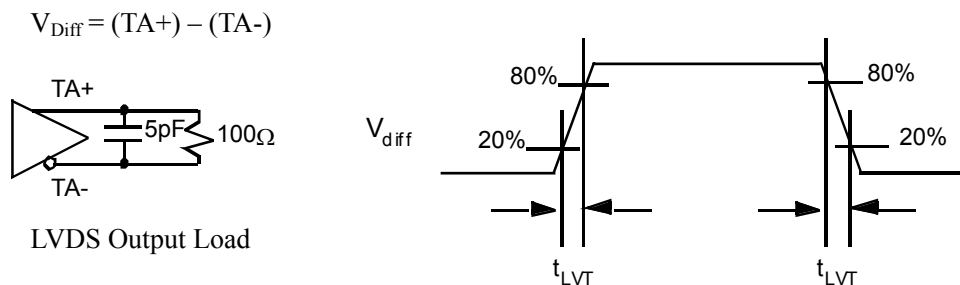
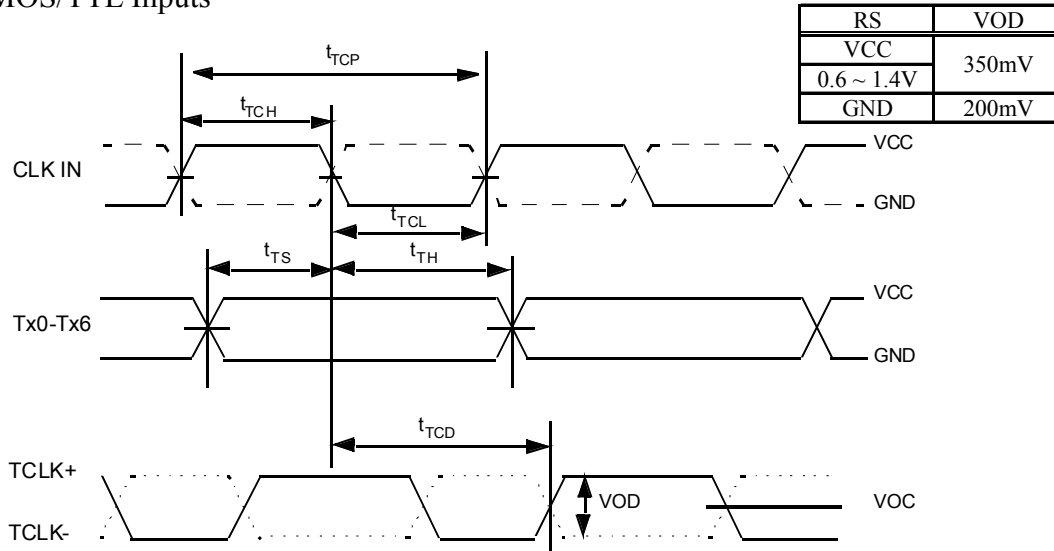


Fig.4 LVDS Output Load and Transmission Time

### AC Timing Diagrams

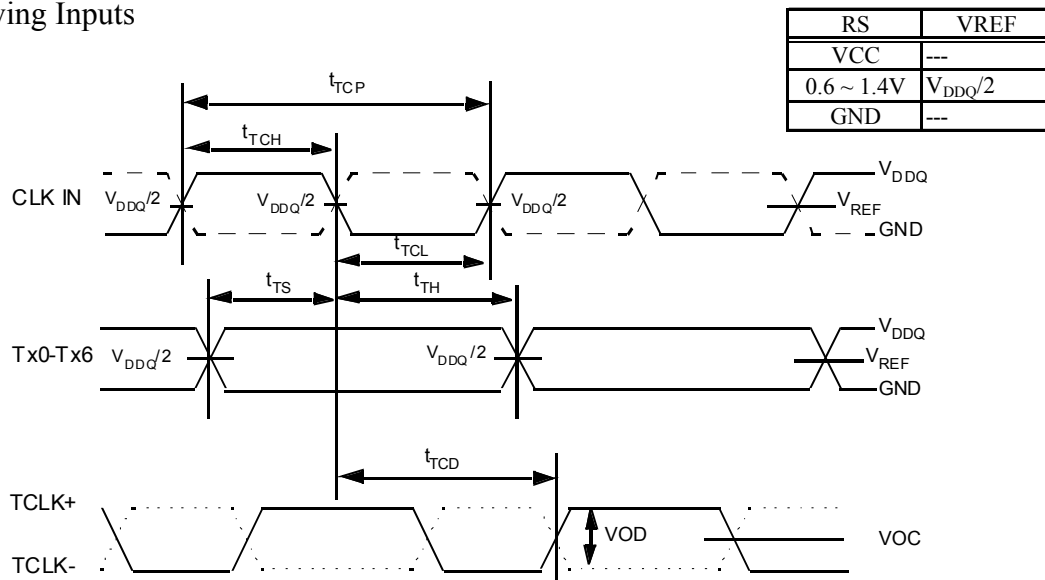
#### LV-CMOS/TTL Inputs



Note :  
 CLKIN : for R/F=GND, denote as solid line,  
 for R/F = VCC, denote as dashed line.

Fig.5 CLKIN Period, High/Low Time, Setup/Hold Timing

#### Small Swing Inputs



Note :  
 CLKIN : for R/F=GND, denote as solid line,  
 for R/F = VCC, denote as dashed line.

Fig.6 Small Swing Inputs



LVDS Output

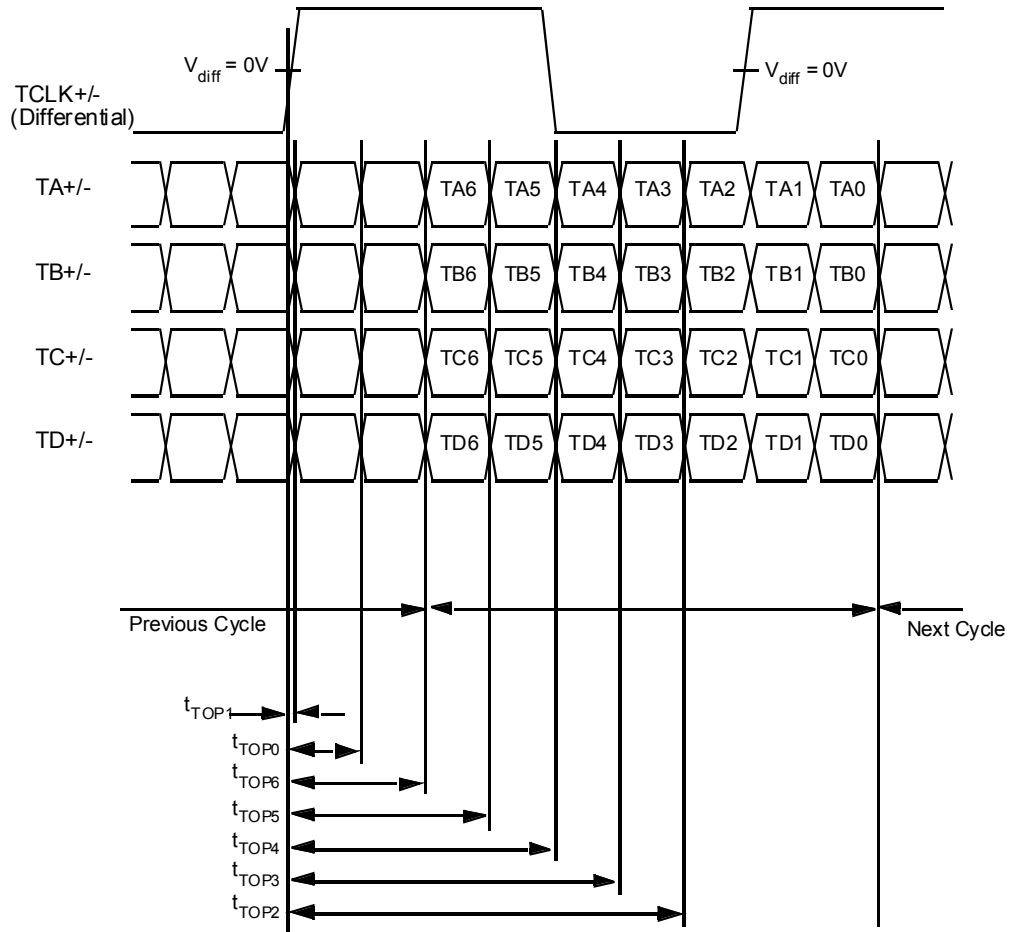


Fig.7 LVDS Output Data Position

Phase Lock Loop Set Time

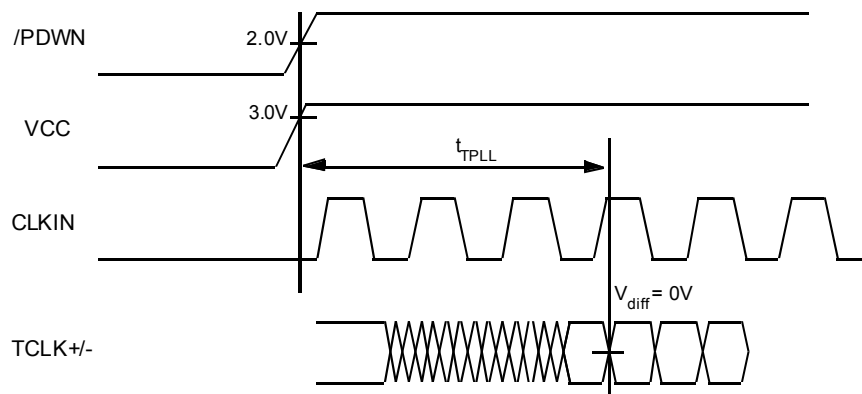
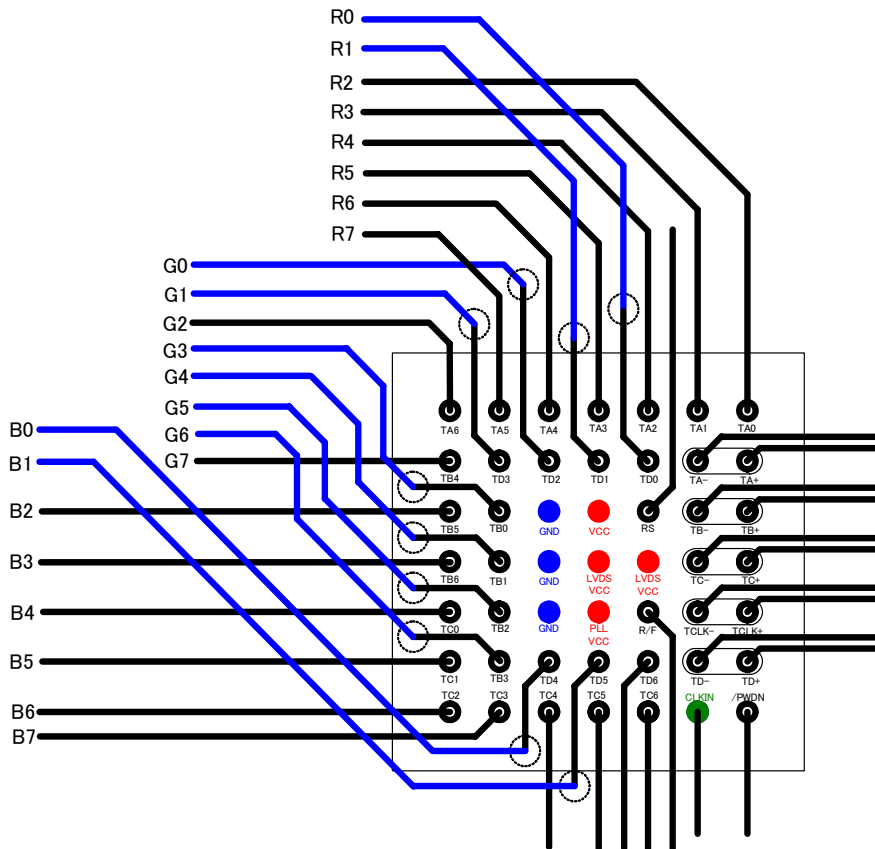


Fig.8 PLL Lock Set Time

Board Layout Example

TOP VIEW

	1	2	3	4	5	6	7	
A	TA6	TA5	TA4	TA3	TA2	TA1	TA0	A
B	TB4	TD3	TD2	TD1	TD0	TA-	TA+	B
C	TB5	TB0	GND	VCC	RS	TB-	TB+	C
D	TB6	TB1	GND	LVDS VCC	LVDS VCC	TC-	TC+	D
E	TC0	TB2	GND	PLL VCC	R/F	TCLK-	TCLK+	E
F	TC1	TB3	TD4	TD5	TD6	TD-	TD+	F
G	TC2	TC3	TC4	TC5	TC6	CLKIN	/PDWN	G
	1	2	3	4	5	6	7	



Note

1) Cable Connection and Disconnection

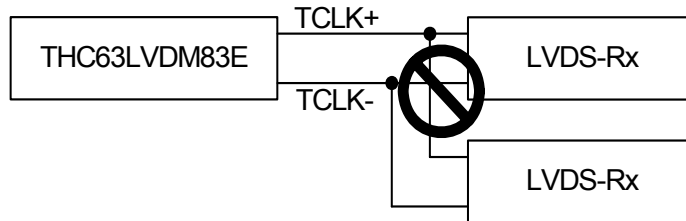
Don't connect and disconnect the LVDS cable, when the power is supplied to the system.

2) GND Connection

Connect the each GND of the PCB which THC63LVDM83E and LVDS-Rx on it. It is better for EMI reduction to place GND cable as close to LVDS cable as possible.

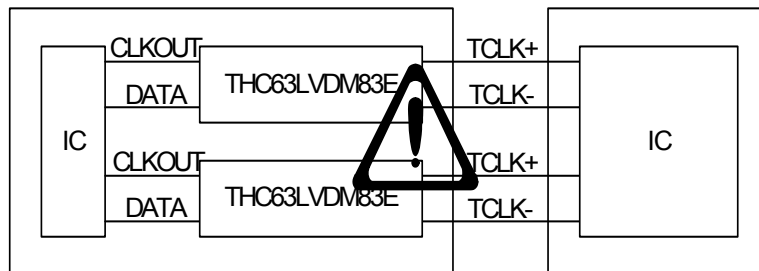
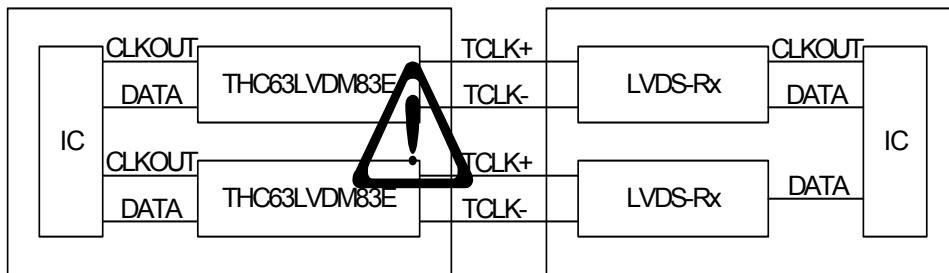
3) Multi Drop Connection

Multi drop connection is not recommended.

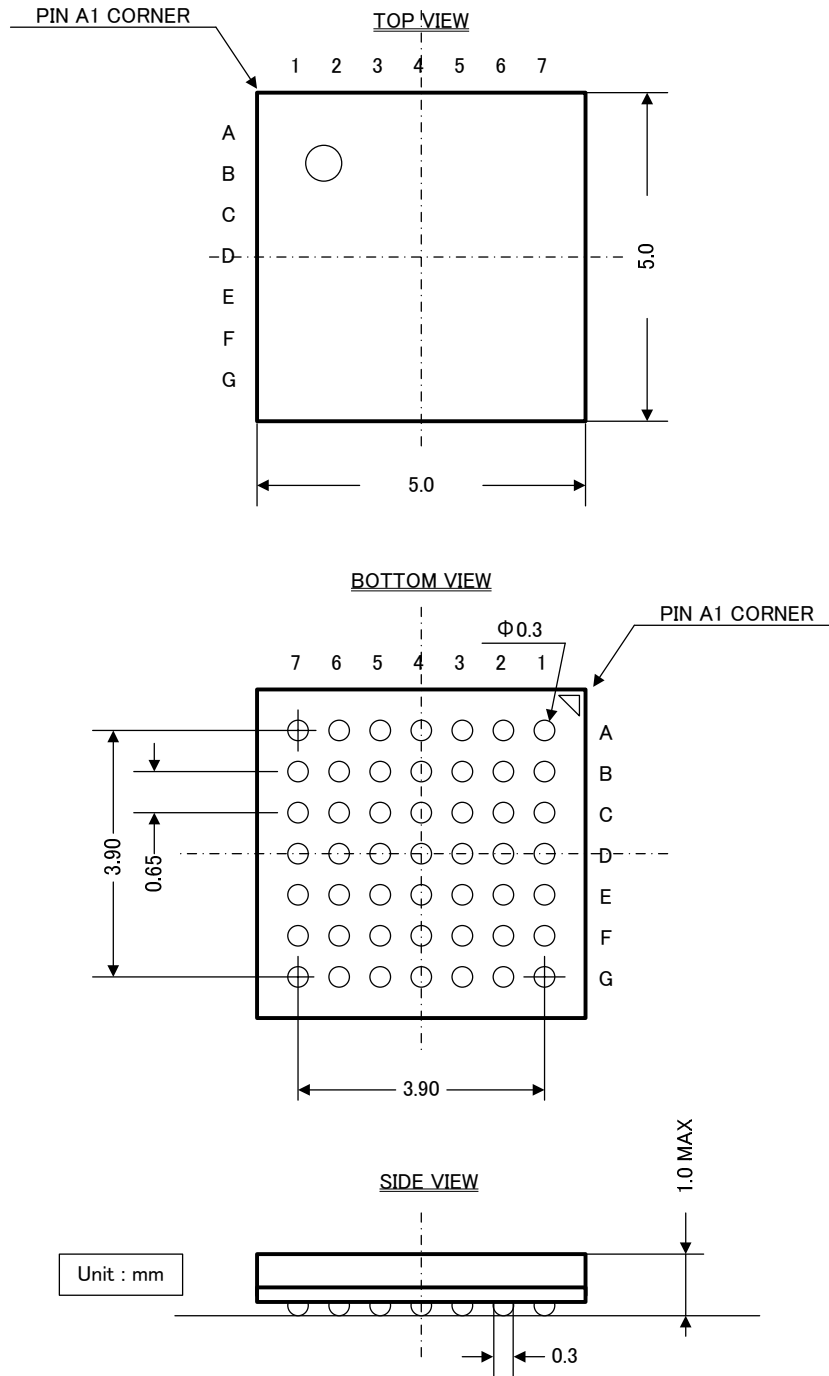


4) Asynchronous use

Asynchronous using such as following systems are not recommended.



Package



## **Notices and Requests**

1. The product specifications described in this material are subject to change without prior notice.
2. The circuit diagrams described in this material are examples of the application which may not always apply to the customer's design. We are not responsible for possible errors and omissions in this material. Please note if errors or omissions should be found in this material, we may not be able to correct them immediately.
3. This material contains our copy right, know-how or other proprietary. Copying or disclosing to third parties the contents of this material without our prior permission is prohibited.
4. Note that if infringement of any third party's industrial ownership should occur by using this product, we will be exempted from the responsibility unless it directly relates to the production process or functions of the product.
5. This product is presumed to be used for general electric equipment, not for the applications which require very high reliability (including medical equipment directly concerning people's life, aerospace equipment, or nuclear control equipment). Also, when using this product for the equipment concerned with the control and safety of the transportation means, the traffic signal equipment, or various Types of safety equipment, please do it after applying appropriate measures to the product.
6. Despite our utmost efforts to improve the quality and reliability of the product, faults will occur with a certain small probability, which is inevitable to a semi-conductor product. Therefore, you are encouraged to have sufficiently redundant or error preventive design applied to the use of the product so as not to have our product cause any social or public damage.
7. Please note that this product is not designed to be radiation-proof.
8. Customers are asked, if required, to judge by themselves if this product falls under the category of strategic goods under the Foreign Exchange and Foreign Trade Control Law.

***THine Electronics, Inc.***

sales@thine.co.jp

# Mouser Electronics

Authorized Distributor

Click to View Pricing, Inventory, Delivery & Lifecycle Information:

[CEL:](#)

[THC63LVDM83E-B](#)

## Данный компонент на территории Российской Федерации

### Вы можете приобрести в компании MosChip.

Для оперативного оформления запроса Вам необходимо перейти по данной ссылке:

<http://moschip.ru/get-element>

Вы можете разместить у нас заказ для любого Вашего проекта, будь то серийное производство или разработка единичного прибора.

В нашем ассортименте представлены ведущие мировые производители активных и пассивных электронных компонентов.

Нашей специализацией является поставка электронной компонентной базы двойного назначения, продукции таких производителей как XILINX, Intel (ex.ALTERA), Vicor, Microchip, Texas Instruments, Analog Devices, Mini-Circuits, Amphenol, Glenair.

Сотрудничество с глобальными дистрибьюторами электронных компонентов, предоставляет возможность заказывать и получать с международных складов практически любой перечень компонентов в оптимальные для Вас сроки.

На всех этапах разработки и производства наши партнеры могут получить квалифицированную поддержку опытных инженеров.

Система менеджмента качества компании отвечает требованиям в соответствии с ГОСТ Р ИСО 9001, ГОСТ РВ 0015-002 и ЭС РД 009

### Офис по работе с юридическими лицами:

105318, г.Москва, ул.Щербаковская д.3, офис 1107, 1118, ДЦ «Щербаковский»

Телефон: +7 495 668-12-70 (многоканальный)

Факс: +7 495 668-12-70 (доб.304)

E-mail: [info@moschip.ru](mailto:info@moschip.ru)

Skype отдела продаж:

moschip.ru

moschip.ru\_4

moschip.ru\_6

moschip.ru\_9