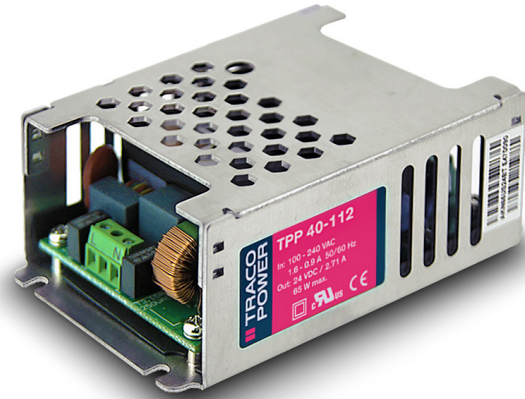


Features

- ◆ High power density 40 W power supply (enclosed / open frame)
- ◆ 2 x MOPP Medical safety according to AAMI/ANSI ES 60601-1:2005(R) and IEC/EN 60601-1 3rd edition
- ◆ Ready to meet ErP directive, < 0.3 W no load power consumption
- ◆ Highest efficiency across full load range
- ◆ Protection class II prepared
- ◆ Operating up to 5000m altitude
- ◆ Adjustable output voltage
- ◆ 3-year product warranty



The TPP 40 Series of 40 Watt AC/DC power supplies feature a reinforced double I/O isolation system according to latest medical safety standards (60601-3 3rd edition, 2 x MOPP).

The excellent efficiency of up to 92% allows a high power density for the standard 2.44" x 3.0" packaging format. The full load operating temperature range is -40°C to +70°C while it goes up to 85°C with 50% load derating (for single output models). They come with an active power factor correction and the EMC characteristic is dedicated for applications in industrial and domestic fields.

High reliability is provided by use of industrial quality grade components and an excellent thermal management. It makes the products an ideal solution for medical devices and for demanding safety and space critical applications.

Models

| Order code | | Output voltage | | | Output current max. | | | Efficiency max. |
|----------------------------|---------------------------|----------------|--------|---------|---------------------|--------|--------|-----------------|
| enclosed, screw terminal | open frame, pin connector | Vout 1 | Vout 2 | Vout 3 | Vout 1 | Vout 2 | Vout 3 | |
| TPP 40-105 | TPP 40-105A-J | 5 VDC (±10%) | — | — | 8.0 A | — | — | 90 % |
| TPP 40-112 | TPP 40-112A-J | 12 VDC (±10%) | — | — | 3.34 A | — | — | 92 % |
| TPP 40-115 | | 15 VDC (±10%) | — | — | 2.67 A | — | — | 92 % |
| TPP 40-124 | TPP 40-124A-J | 24 VDC (±10%) | — | — | 1.67 A | — | — | 92 % |
| | TPP 40-148A-J | 48 VDC (±10%) | — | — | 0.84 A | — | — | 92 % |
| TPP 40-221 ¹⁾ | | +12 VDC (±10%) | +5 VDC | — | 3.34 A | 4 A | — | 89 % |
| TPP 40-231 ¹⁾ | | +15 VDC (±10%) | +5 VDC | — | 2.67 A | 4 A | — | 88.5 % |
| TPP 40-251 ¹⁾ | | +24 VDC (±10%) | +5 VDC | — | 1.67 A | 4 A | — | 86 % |
| TPP 40-321M2 ¹⁾ | | +12 VDC (±10%) | +5 VDC | -12 VDC | 3.34 A | 4 A | 0.5 A | 88 % |
| TPP 40-331M3 ¹⁾ | | +15 VDC (±10%) | +5 VDC | -15 VDC | 2.67 A | 4 A | 0.5 A | 88 % |
| TPP 40-3512 ¹⁾ | | +24 VDC (±10%) | +5 VDC | +12 VDC | 1.67 A | 4 A | 0.5 A | 86 % |

¹⁾ Total power should not exceed nominal power

Input Specifications

| | | |
|-----------------------------|--|--|
| Input voltage range | – AC range (universal input) – DC range | 85 – 264 VAC 120 – 370 VDC |
| Input frequency | | 47 – 63 Hz |
| Input current at full load | – at 115 VAC / 230 VAC | 1.05 A max. / 0.55 A max. |
| Input protection | | T3.15 A/250 VAC (internal fuse in both line & neutral) |
| Input inrush current | – at 230 VAC | 60A max. |
| Zero load power consumption | | 0.15 W max. (acc. ErP directive) |

Output Specifications

| | | |
|---|---|---|
| Voltage set accuracy | | single output: $\pm 1\%$ multi output: $\pm 1\%$ Vout1 $\pm 2\%$ Vout2, Vout3 |
| Regulation - single output | – Input variation – Load variation (0 - 100%) | 0.2% max. 5 VDC model: 0.7% max. other models: 0.5% max. |
| Regulation - multi output | – Input variation – Load variation (0 - 100%) – cross regulation (25% / 100%) | 0.2% max. Vout1: 0.5% max. Vout2: 1.5% max. (0.1W to full load 0.7% max.) Vout3: 0.7% max. 1.5% max. |
| Minimum load | | not required (Vout3 requires 0.5 W over Vout1/Vout2 to be stabilized) |
| Temperature coefficient | | 0.02%/K |
| Hold-up time | – Vin = 115 VAC | 25 ms typ. |
| Start-up time | | <1s |
| Rise time | | 20 ms typ. |
| Ripple and noise - single output (20Mhz Bandwidth) | | 5-15 VDC models: 75 mVp-p typ. with cap. 10 μ F/25V 1206 X7R MLCC 24 VDC models: 75 mVp-p typ. with cap. 1 μ F/50V 1206 X7R MLCC 48 VDC models: 150 mVp-p typ. with cap. 0.1 μ F/100V 1206 X7R MLCC |
| Ripple and noise - multi output (20Mhz Bandwidth) | – Vout 1 – Vout 2 – Vout 3 | 12 VDC model: 120 mVp-p typ. with cap. 1 μ F/50V 1206 X7R MLCC 15 VDC model: 150 mVp-p typ. with cap. 1 μ F/50V 1206 X7R MLCC 24 VDC model: 240 mVp-p typ. with cap. 1 μ F/50V 1206 X7R MLCC all models: 100 mVp-p typ. with cap. 10 μ F/25V 1206 X7R MLCC 12 VDC model: 120 mVp-p typ. with cap. 10 μ F/25V 1206 X7R MLCC 15 VDC model: 150 mVp-p typ. with cap. 10 μ F/25V 1206 X7R MLCC |
| Overvoltage protection | | 125 – 140% of nominal Vout |
| Overload protection by current limit | | single output: at 145% Iout typ. multi output: at 145% Pout1 +Pout2 |
| Short circuit protection | | continuous (automatic recovery) |
| Transiente response (25% load step change) | – Peak deviation – Recovery time | Vout1: 3% of Vout max. 600 μ s typ. |

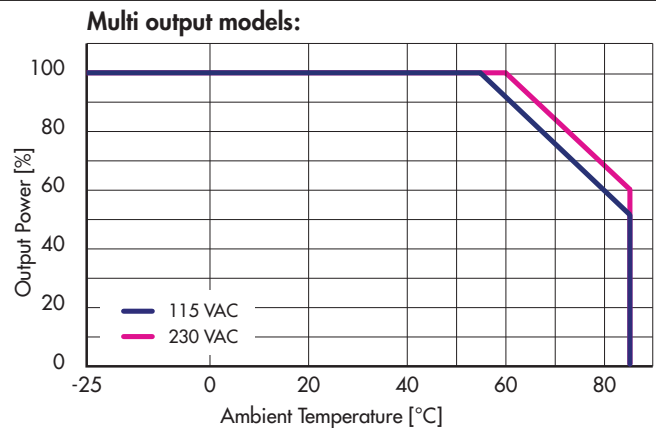
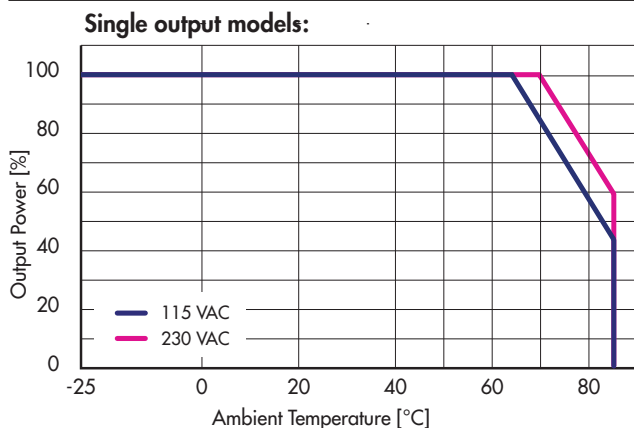
General Specifications

| | | |
|-----------------------|--|---|
| Operating temperature | | –40°C to +85°C with derating, see graph on p.3 |
| Output power derating | – Temperature – Low input voltage | single output: 2.67 %/K above +70°C at 230 VAC 2.75 %/K above +65°C at 115 VAC multi output: 1.60 %/K above +60°C at 230 VAC 1.67 %/K above +55°C at 115 VAC 1.33 %/V below 100 VAC |

All specifications valid at nominal input voltage, full load and +25°C after warm-up time unless otherwise stated.

General Specifications (continued)

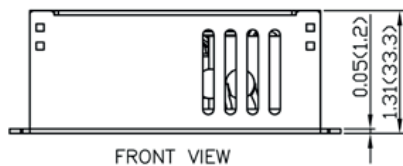
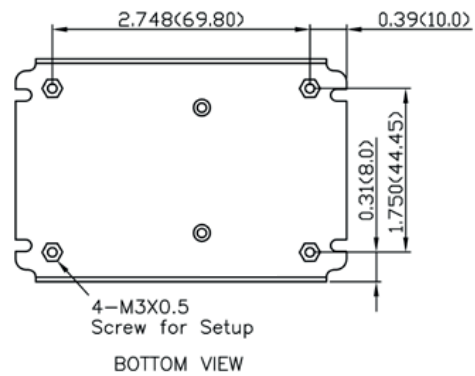
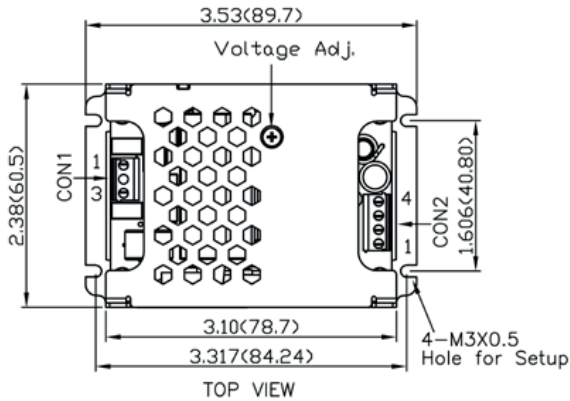
| | | |
|---|--|--|
| Storage temperature | | -40°C to +85°C |
| Humidity (non condensing) | | 5 – 95 % rel. H max. |
| Altitude during operation | | 5000 m |
| Switching frequency - single output (at 230 VAC) | | 5 VDC model: 70 kHz typ. (pulse frequency modulation) other models: 120 kHz typ. (pulse frequency modulation) |
| Switching frequency - multi output (at 230 VAC) | - Vout 1 - Vout 2 - Vout 3 | 5 VDC model: 70 kHz typ. (pulse frequency modulation) other models: 115 kHz typ. (pulse frequency modulation) 750 kHz typ. (pulse frequency modulation) 510 kHz typ. (pulse frequency modulation) |
| Isolation voltage 1min (2 x MOOPP insulation) | - Input / Output - Input / Case | 4000 VAC 2500 VAC |
| Leakage current (at 264 VAC/60Hz) | | 75 µA max. |
| Isolation resistance (at 500 VDC) | | 100 Mohm min. |
| Reliability | - calculated MTBF at +25°C acc. to IEC 61709 | 3'010'000 h for single output models 1'716'000 h for multi output models |
| Protection class | | class II prepared |
| Electromagnetic compatibility (EMC), emissions | - Conducted input RI suppression - Harmonic current emissions - Voltage flicker - Radiated input suppression | EN 55022, class B IEC / EN 61000-3-2, class A IEC / EN 61000-3-3, (class tba.) EN 55011, class B IEC / EN 60601-1-2 (for medical equipment) |
| Electromagnets compatibility (EMC), immunity | - Electrostatic discharge ESD - RF field immunity - Electrical fast transients/burst immunity - Surge - Conducted RF - Magnetic field (only for single output models) | IEC / EN 60601-1-2 IEC / EN 61000-4-2, 8kV/6kV perf. criteria A IEC / EN 61000-4-3, 20V/m perf. criteria A IEC / EN 61000-4-4, ± 2kV perf. criteria A IEC / EN 61000-4-5, ± 1kV/± 2kV perf. criteria A IEC / EN 61000-4-6, 20 Vrms perf. criteria A IEC / EN 61000-4-8, 10A/m perf. criteria A |
| Voltage dip and interruptions according to EN 60601-1-2 reference: 100 VAC / 50Hz | | 30%, 500ms perf. criteria A 60%, 100ms perf. criteria B > 95%, 10ms perf. criteria A > 95%, 5000ms perf. criteria B |
| Safety standards and certification www.ul.com File e188913 (pending) | | UL 60950-1, IEC/EN 60950-1, IEC/EN 60601-1 3rd edition, ANSI/AAMI ES60601-1:2005(R)2012 |
| Environment | - Vibration acc. IEC 60068-2-6; - Shock acc. IEC 60068-2-27 | 3 axis, sine sweep, 10–55Hz, 1g, 1oct/min 3 axis, 10g half sine, 11msShock 20 G (3 directions each 3 times) |
| Environmental compliance | - Reach - RoHS | www.tracopower.com/overview/tp40 RoHS directive 2011/65/EU |
| Connection | | screw terminal / pin connector |



All specifications valid at nominal input voltage, full load and +25°C after warm-up time unless otherwise stated.

Dimensions

Single output:

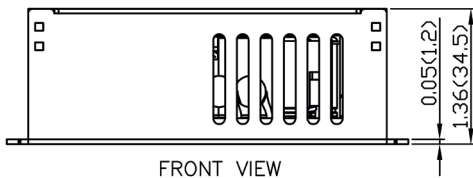
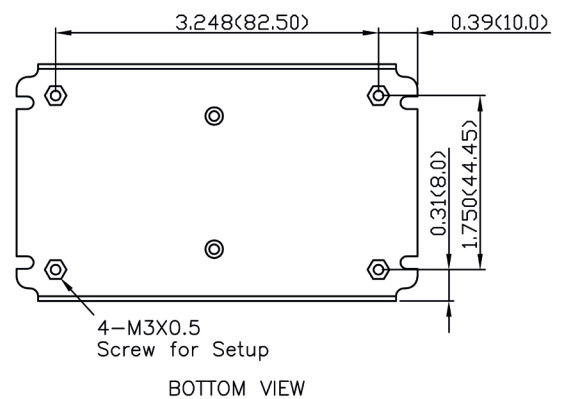
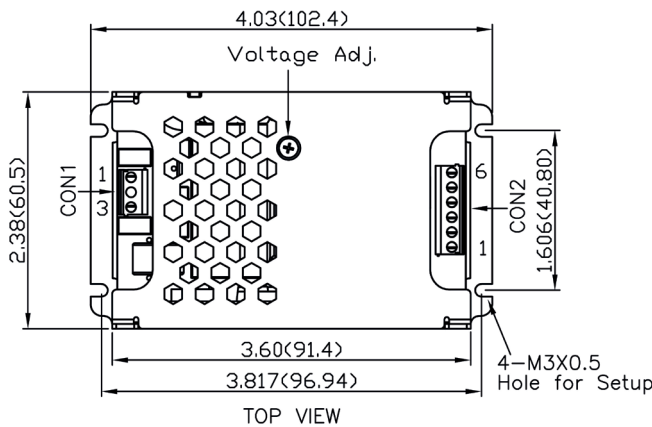


Weight: 169g (5.96 oz)

| Screw Terminal | | | |
|----------------|---------|--------|--------|
| | Input | Output | |
| Pin | CON 1 | Pin* | CON 2 |
| 1 | Line | 1,2 | - Vout |
| 3 | Neutral | 3,4 | + Vout |

*Terminal rated for 10 A max.
(at higher current connection has to be split)

Multi output:



Weight: 216g (7.80 oz)

| Screw Terminal | | | |
|----------------|---------|--------|--------|
| | Input | Output | |
| Pin | CON 1 | Pin* | CON 2 |
| 1 | Line | 1 | Vout 3 |
| 3 | Neutral | 2,3 | Com |
| | | 4,5 | Vout 2 |
| | | 6 | Vout 1 |

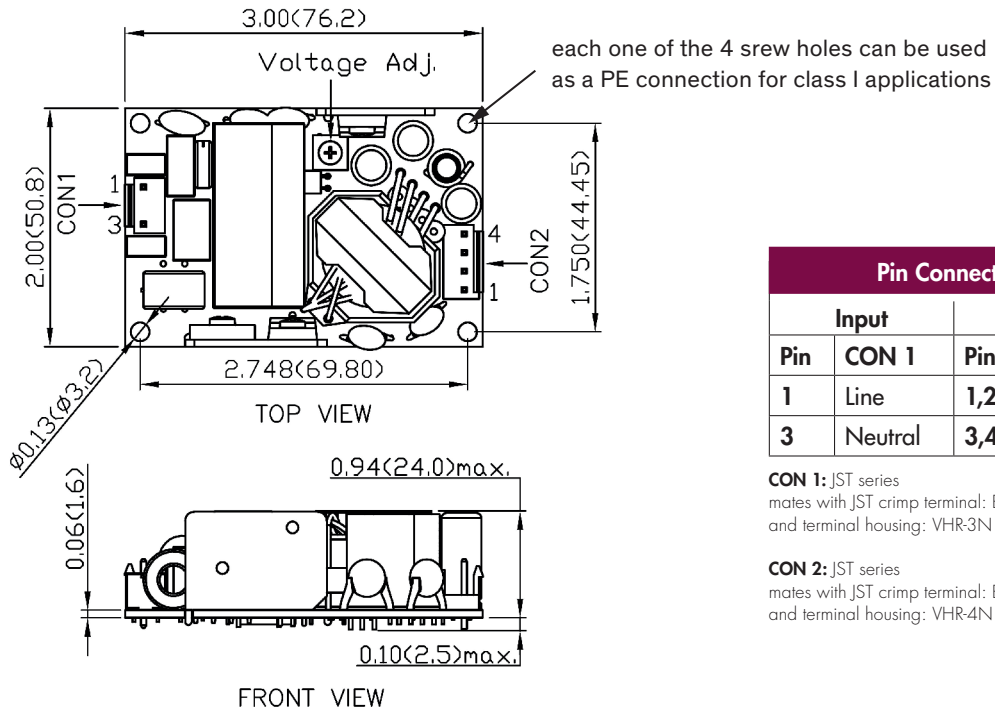
*Terminal rated for 10 A max.
(at higher current connection has to be split)

Dimensions in inch, () = mm
Tolerances: x.xx±0.02 (x.x±0.5) x.xxx±0.01 (x.xx±0.25)
Wire dimensions range 26 - 16 AWG
M3x0.5 screw locked torque MAX 5Kgf.cm/0.49N.m
Terminal screw locked torque MAX 2Kgf.cm/0.2N.m

Customized versions on request!

Outline Dimensions

Single output:



| Pin Connector | | | |
|---------------|---------|--------|--------|
| Input | | Output | |
| Pin | CON 1 | Pin | CON 2 |
| 1 | Line | 1,2 | - Vout |
| 3 | Neutral | 3,4 | + Vout |

CON 1: JST series
mates with JST crimp terminal: BVH-21T-P1.1
and terminal housing: VHR-3N

CON 2: JST series
mates with JST crimp terminal: BVH-21T-P1.1
and terminal housing: VHR-4N

Dimensions in inch, () = mm
Tolerances: x.xx±0.02 (x.x±0.5) x.xxx±0.01 (x.xx±0.25)

Specifications can be changed without notice! Make sure you are using the latest documentation, downloadable at www.tracopower.com

Данный компонент на территории Российской Федерации

Вы можете приобрести в компании MosChip.

Для оперативного оформления запроса Вам необходимо перейти по данной ссылке:

<http://moschip.ru/get-element>

Вы можете разместить у нас заказ для любого Вашего проекта, будь то серийное производство или разработка единичного прибора.

В нашем ассортименте представлены ведущие мировые производители активных и пассивных электронных компонентов.

Нашей специализацией является поставка электронной компонентной базы двойного назначения, продукции таких производителей как XILINX, Intel (ex.ALTERA), Vicor, Microchip, Texas Instruments, Analog Devices, Mini-Circuits, Amphenol, Glenair.

Сотрудничество с глобальными дистрибьюторами электронных компонентов, предоставляет возможность заказывать и получать с международных складов практически любой перечень компонентов в оптимальные для Вас сроки.

На всех этапах разработки и производства наши партнеры могут получить квалифицированную поддержку опытных инженеров.

Система менеджмента качества компании отвечает требованиям в соответствии с ГОСТ Р ИСО 9001, ГОСТ РВ 0015-002 и ЭС РД 009

Офис по работе с юридическими лицами:

105318, г.Москва, ул.Щербаковская д.3, офис 1107, 1118, ДЦ «Щербаковский»

Телефон: +7 495 668-12-70 (многоканальный)

Факс: +7 495 668-12-70 (доб.304)

E-mail: info@moschip.ru

Skype отдела продаж:

moschip.ru

moschip.ru_4

moschip.ru_6

moschip.ru_9