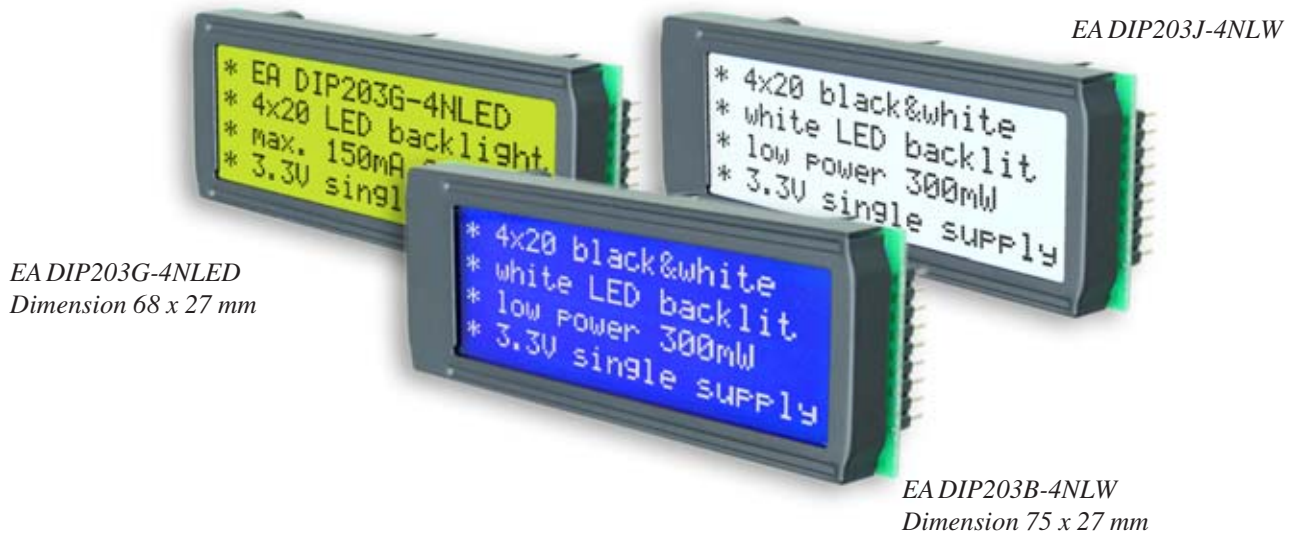


LCD MODULE 4x20 - 3.75mm

Issue 4.2013

INCL. CONTROLLER SSD1803



FEATURES

- * HIGH CONTRAST LCD SUPERTWIST DISPLAY
- * CONTROLLER SSD1803 (NEARLY 100% COMPATIBLE WITH HD44780)
- * INTERFACE FOR 4- AND 8-BIT DATA BUS
- * SERIAL SPI INTERFACE (SID, SOD, SCLK)
- * POWER SUPPLY +2.7 V ~ +3.45V / 1.5mA
- * LED BACKLIGHT Y/G max. 150mA@+25°C
- * LED BACKLIGHT BLUE-WHITE AND BLACK-WHITE max. 45mA@+25°C
- * OPERATING TEMPERATURE RANGE -20..+70°C
- * BUILT-IN TEMPERATURE COMPENSATION
- * SOME MORE MODULES WITH SAME SIZE AND SAME PINOUT:
 - DOTMATRIX 1x8, 2x16
 - GRAPHIC 122x32
- * NO SCREWS REQUIRED: SOLDER ONTO PCB ONLY
- * DETACHABLE VIA 9-PIN SOCKET EA B200-9 (2 PCS REQUIRED)

ORDERING INFORMATION

LCD MODULE 4x20 - 3.73mm WITH LED BACKLIGHT Y/G
BLUE-WHITE
BLACK-WHITE
9-PIN SOCKET, HEIGHT 4.3mm (1 PC.)

EA DIP203G-4NLED
EA DIP203B-4NLW
EA DIP203J-4NLW
EA B200-9

**ELECTRONIC
ASSEMBLY**

making things easy

PINOUT

| Pin | Symbo | Level | Function | Pin | Symbo | Level | Function |
|-----|-----------|-------|----------------------------|-----|---------|-------|-----------------------------|
| 1 | VSS | L | Power Supply 0V (GND) | 10 | D3 | H / L | Display Data |
| 2 | VDD | H | Power Supply +3.3V | 11 | D4 (D0) | H / L | Display Data |
| 3 | VEE | - | Contrast adjustment, input | 12 | D5 (D1) | H / L | Display Data |
| 4 | RS (CS) | H / L | H=Data, L=Command | 13 | D6 (D2) | H / L | Display Data |
| 5 | R/W (SID) | H / L | H=Read, L=Write | 14 | D7 (D3) | H / L | Display Data, MSB |
| 6 | E (SCLK) | H | Enable (falling edge) | 15 | - | - | NC (see EA DIP122-5N) |
| 7 | D0 (SOD) | H / L | Display Data, LSB | 16 | RES | L | Reset (internal Pullup 10k) |
| 8 | D1 | H / L | Display Data | 17 | A | - | LED B/L+ Resistor required |
| 9 | D2 | H / L | Display Data | 18 | C | - | LED B/L- |

BACKLIGHT

Using the LED backlight requires a current source or external current-limiting resistor. Forward voltage for yellow/green backlight is 3.9~4.2V and for white LED backlight is 3.0~3.6V. Please take care of derating for $T_a > +25^\circ\text{C}$.

Note: Do never connect backlight directly to 5V; this may destroy backlight immediately !

TABLE OF COMMAND (SSD1803, IE=HIGH)

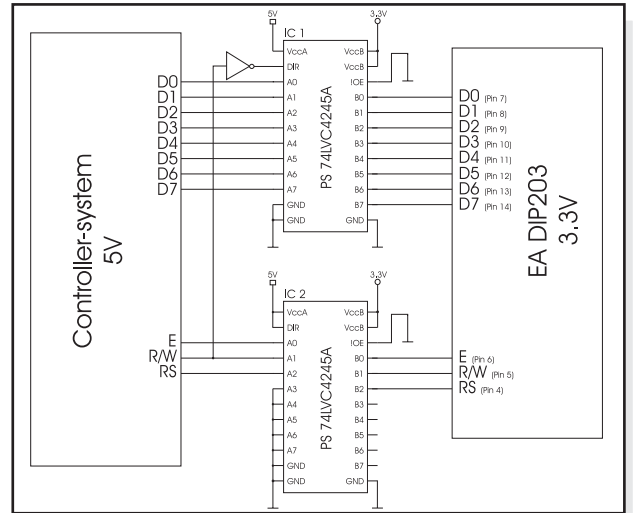
| Instruction | C ode | | | | | | | | | | Description | Execute Time (270kHz) | |
|--------------------------|--------|----|-----|------------|------|------|------|------|--|---|---|--|------|
| | RE Bit | RS | R/W | DB 7 | DB 6 | DB 5 | DB 4 | DB 3 | DB 2 | DB 1 | | | DB 0 |
| Clear Display | * | 0 | 0 | 0 | 0 | 0 | 0 | 0 | 0 | 1 | Clears all display and returns the cursor to the home position (Address 0). | 1.53ms | |
| Cursor At Home | 0 | 0 | 0 | 0 | 0 | 0 | 0 | 0 | 0 | 1 | Returns the Cursor to the home position (Address 0). Also returns the display being shifted to the original position. DD RAM contents remain unchanged. | 1.53ms | |
| Power Down Mode | 1 | 0 | 0 | 0 | 0 | 0 | 0 | 0 | 0 | 1 | Set Power down mode bit. PD=0: powerdown mode disable PD=1: powerdown mode enable | 39μs | |
| Entry Mode Set | 0 | 0 | 0 | 0 | 0 | 0 | 0 | 0 | 1 | I/D | S Cursor moving direction (I/D=0: dec; I/D=1: inc) shift enable bit (S=0: disable; S=1: enable shift) | 39μs | |
| | 1 | 0 | 0 | 0 | 0 | 0 | 0 | 1 | 1 | BID | Segment bidirectional function (BID=0: Seg1->Seg60; BID=1: Seg60->Seg1) | 39μs | |
| Display On/Off Control | 0 | 0 | 0 | 0 | 0 | 0 | 0 | 1 | D | C | B D=0: display off; D=1: display on C=0: cursor off; C=1: cursor on B=0: blink off; B=1: blink on | 39μs | |
| extended Function Set | 1 | 0 | 0 | 0 | 0 | 0 | 0 | 1 | FW | BW | NW FW=0: 5-dot font width; FW=1: 6-dot font width BW=0: normal cursor; BW=1: inverting cursor NW=0: 1- or 2-line (see N); NW=1: 4-line display | 39μs | |
| Cursor / Display Shift | 0 | 0 | 0 | 0 | 0 | 0 | 1 | S/C | R/L | * | * | Moves the Cursor or shifts the display S/C=0: cursor Shift; S/C=1: display shift R/L=0: shift to left; R/L=1: shift to right | 39μs |
| Scroll Enable | 1 | 0 | 0 | 0 | 0 | 0 | 1 | H4 | H3 | H2 | H1 | Determine the line for horizontal scroll | 39μs |
| Function Set | 0 | 0 | 0 | 0 | 0 | 1 | DL | N | RE | DH | RE | sets interface data length (DL=0:4-bit; DL=1:8-bit) number of display lines (N=0: 1-line; N=1: 2-line) extension register (RE= 0/1) scroll/shift (DH=0: dot scroll; DH=1: display shift) reverse bit (REV=0:normal; REV=1:inverse display) | 39μs |
| | 1 | 0 | 0 | 0 | 0 | 1 | DL | N | RE | BE | LP | CG-/SEG-RAM blink (BE=0: disable; BE=1: enable) LP=0: normal mode; LP=1: low power mode | 39μs |
| CG RAM Address Set | 0 | 0 | 0 | 0 | 1 | AC | | | | | Sets the CG RAM address. CG RAM data is sent and received after this setting. | 39μs | |
| SEG RAM Address Set | 1 | 0 | 0 | 0 | 1 | * | * | AC | | | | Sets the SEG RAM address. SEG RAM data is sent and received after this setting. | 39μs |
| DD RAM Address Set | 0 | 0 | 0 | 1 | AC | | | | | Sets the DD RAM address. DD RAM data is sent and received after this setting. | 39μs | | |
| Set Scroll Quantity | 1 | 0 | 0 | 1 | * | SQ | | | | | Sets the quantity of horizontal dot scroll (DH=0) | 39μs | |
| Busy Flag / Address Read | * | 0 | 1 | BF | AC | | | | | Reads Busy flag (BF) indicating internal operation is being performed and reads address counter contents. | - | | |
| Write Data | * | 1 | 0 | Write Data | | | | | Writes data into internal RAM (DD RAM / CG RAM / SEGRAM) | 43μs | | | |
| Read Data | * | 1 | 1 | Read Data | | | | | Reads data from internal RAM (DD RAM / CG RAM / SEGRAM) | 43μs | | | |

DRIVING WITH 5V-SYSTEMS

The supply voltage of the display is necessarily 3.3V. If a 5V-system is used, the level have to be adapted. For example you can use a bidirectional levelshifter (e.g. PS 74LVC4245A), like shown in the opposite figure.

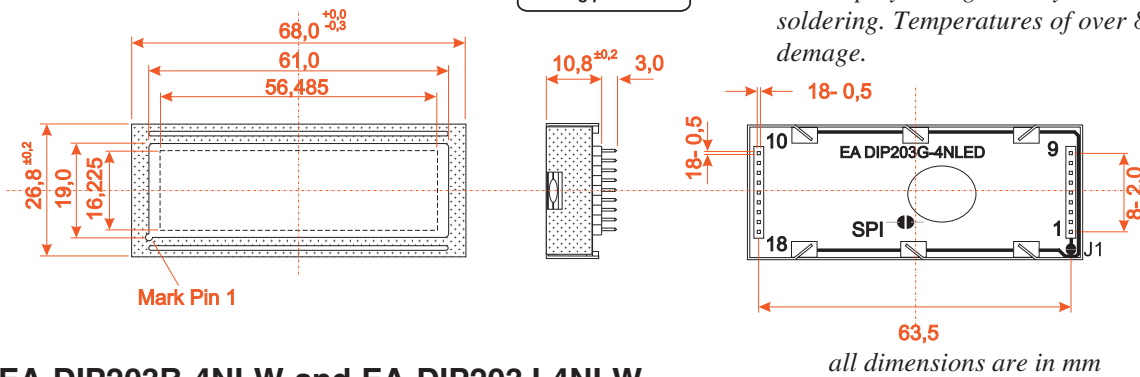
COMPATIBILITY WITH EA DIP204-4

The displays of EA DIP203 and EA DIP204 series are electrically and mechanically identical to each other running with 3.3V supply mode. Merely a 5V supply is not acceptable with the new EA DIP203 series.

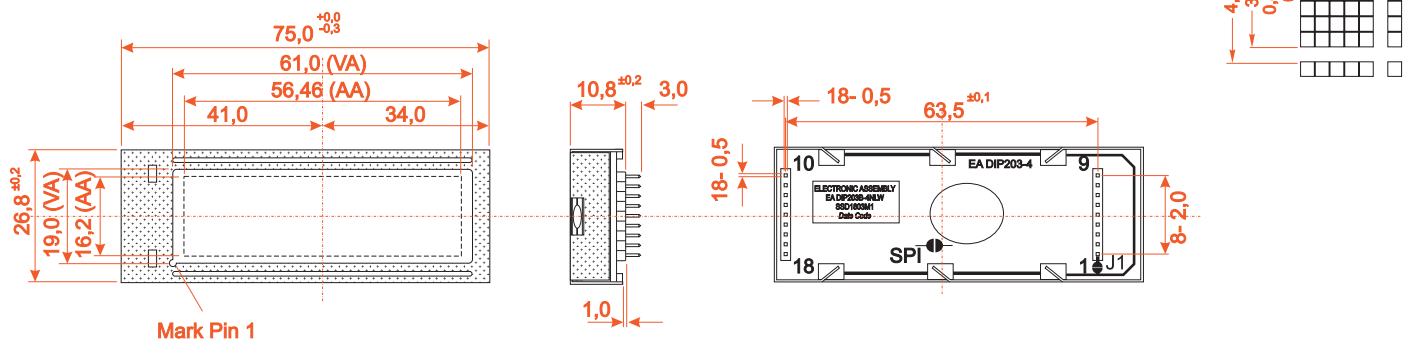


Note:
LC-Displays are generally not suited to wave or reflow soldering. Temperatures of over 80°C can cause lasting damage.

EA DIP203G-4NLED



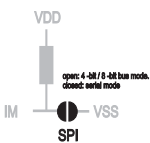
EA DIP203B-4NLW and EA DIP203J-4NLW



SERIAL MODE

Factory setting for interface is parallel with 4 bit or 8 bit data bus. Alternatively the module can be used with serial data stream. For that, solder link **SPI** has to be closed. Specification for serial operation mode is described in user manual for SSD1803:

http://www.lcd-module.de/fileadmin/eng/pdf/zubehoer/ssd1803_2_0.pdf



Данный компонент на территории Российской Федерации

Вы можете приобрести в компании MosChip.

Для оперативного оформления запроса Вам необходимо перейти по данной ссылке:

<http://moschip.ru/get-element>

Вы можете разместить у нас заказ для любого Вашего проекта, будь то серийное производство или разработка единичного прибора.

В нашем ассортименте представлены ведущие мировые производители активных и пассивных электронных компонентов.

Нашей специализацией является поставка электронной компонентной базы двойного назначения, продукции таких производителей как XILINX, Intel (ex.ALTERA), Vicor, Microchip, Texas Instruments, Analog Devices, Mini-Circuits, Amphenol, Glenair.

Сотрудничество с глобальными дистрибьюторами электронных компонентов, предоставляет возможность заказывать и получать с международных складов практически любой перечень компонентов в оптимальные для Вас сроки.

На всех этапах разработки и производства наши партнеры могут получить квалифицированную поддержку опытных инженеров.

Система менеджмента качества компании отвечает требованиям в соответствии с ГОСТ Р ИСО 9001, ГОСТ РВ 0015-002 и ЭС РД 009

Офис по работе с юридическими лицами:

105318, г.Москва, ул.Щербаковская д.3, офис 1107, 1118, ДЦ «Щербаковский»

Телефон: +7 495 668-12-70 (многоканальный)

Факс: +7 495 668-12-70 (доб.304)

E-mail: info@moschip.ru

Skype отдела продаж:

moschip.ru

moschip.ru_4

moschip.ru_6

moschip.ru_9