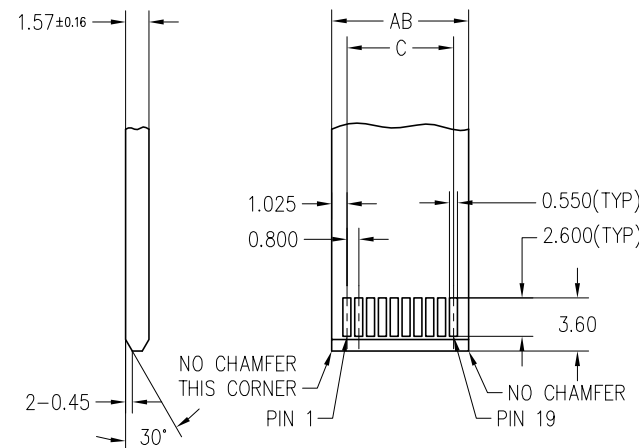
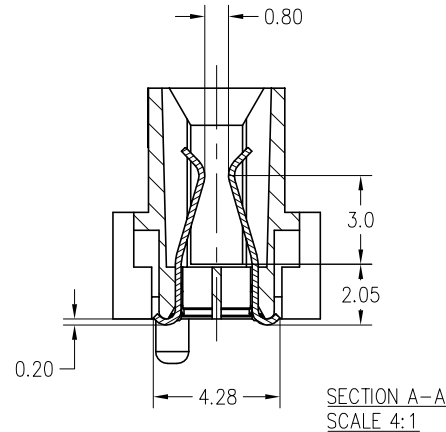


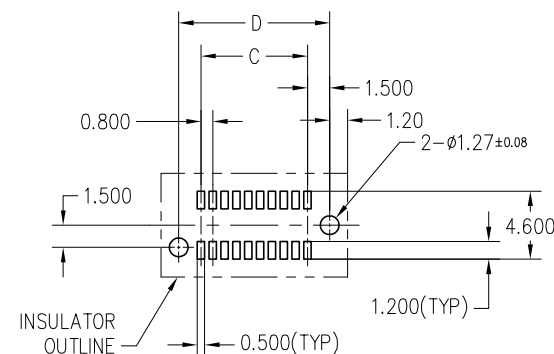
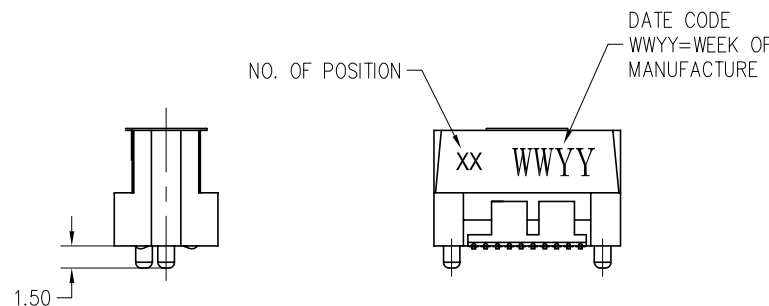
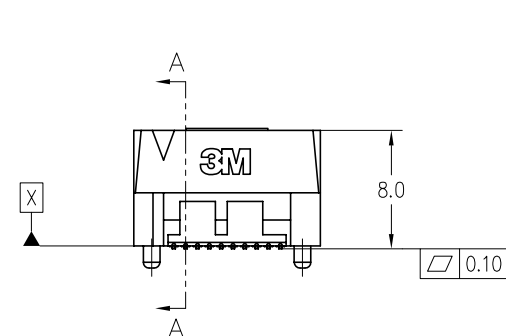
3M™ High-Speed Card-Edge CONNECTOR, SPD08

FIG. 1
FOR POSITIONS 020, 040, 060,
W/O LATCH OPTION
(SHOWN: SPD08-020-RB-TR)



NOTES:

- MATERIAL:
HOUSING: GLASS FILLED LCP, BLACK, UL 94V-0.
LATCH: GLASS FILLED LCP, BEIGE, UL 94V-0.
SOLDER TAB: COPPER ALLOY.
CONTACT: COPPER ALLOY.
- FINISH:
GOLD PLATING ON CONTACT MATING AREA,
3~5um MATTE TIN ON SOLDER TAIL,
1.27um NICKEL UNDER PLATED.
- RATING:
CURRENT: 3.0A @ 30°C TEMPERATURE RISE.
VOLTAGE: 50V AC.
TEMPERATURE: -55 TO 125°C.
CONTACT RESISTANCE: 50mΩ MAX.
CHARACTERISTIC IMPEDANCE: 50Ω SINGLE-ENDED,
100Ω DIFFERENTIAL.
BANDWIDTH: 7.5GHz (RATED @ -3dB INSERTION LOSS,
30mm STACK HEIGHT)
- ROHS COMPLIANT.
- PART NUMBERING INFORMATION:



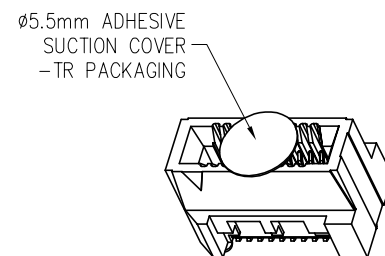
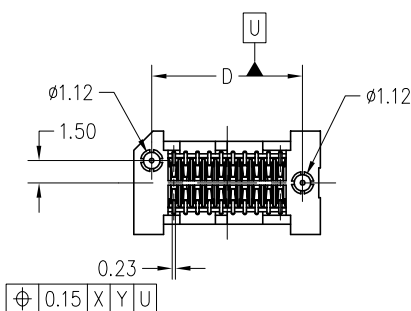
SPD08-XXX-X-XX-XX

NO OF POSITIONS
020, 040, 060 (SEE FIG. 1, 3)
064, 080, 100, 120, 140,
160, 180, 200 (SEE FIG. 2, 4)

PACKAGING OPTION
BLANK= TRAY
TR= TAPE & REEL

PLATING OPTION
RB= 0.76um GOLD
RA= 0.25um GOLD

LATCHING OPTION
BLANK= W/O LATCH (SEE FIG. 1, 2)
L = WITH LATCH (SEE FIG. 3, 4)



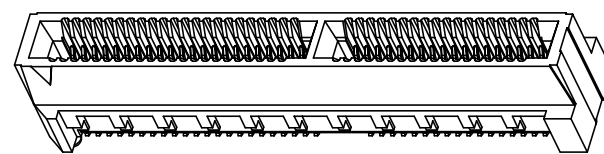
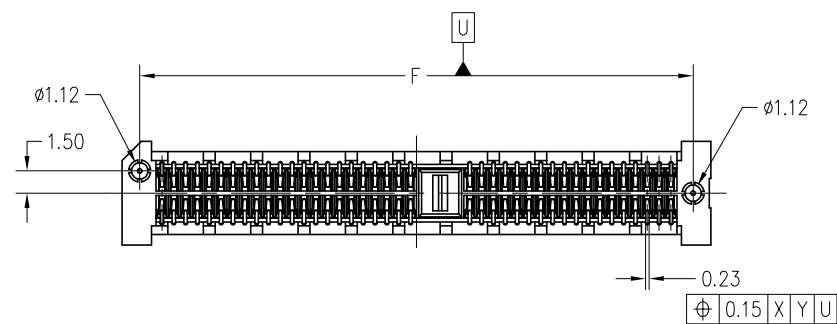
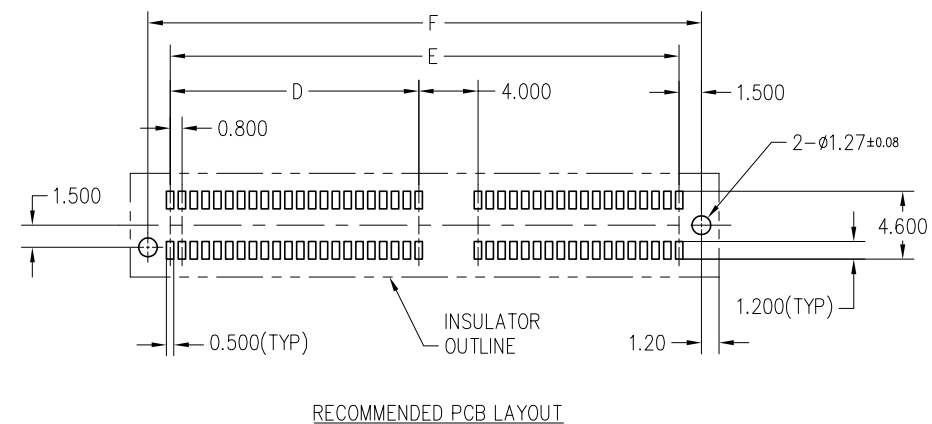
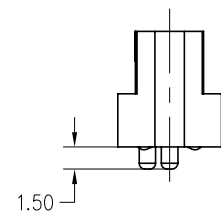
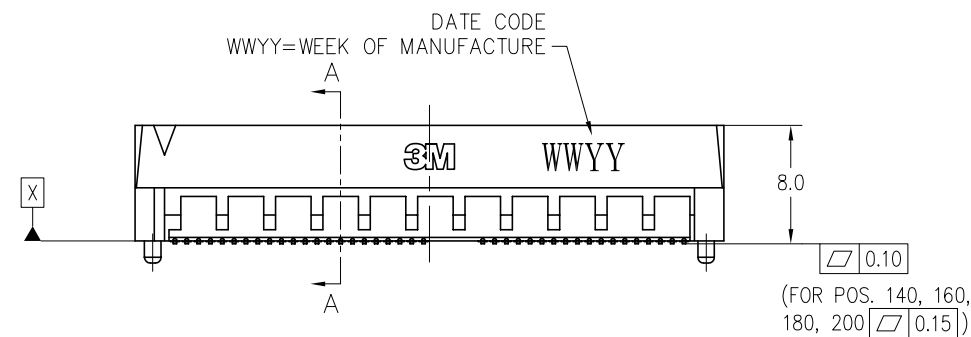
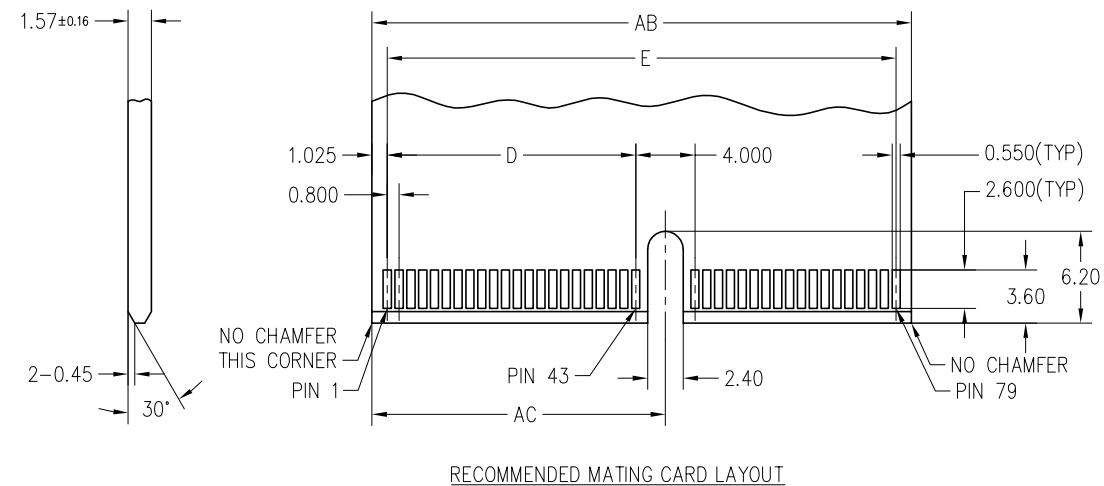
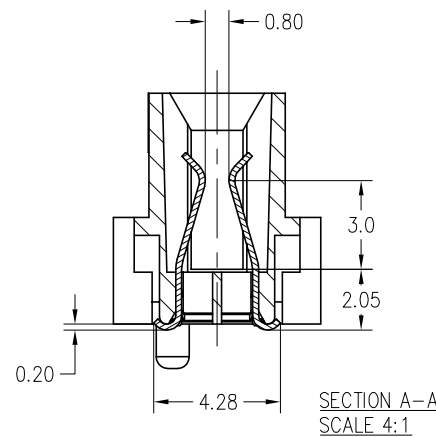
POS.	DIMENSIONS				
	A	B	C	D	AB
20*	12.60	9.40	7.200	10.20	9.25
40	20.60	17.40	15.200	18.20	17.25
60	28.60	25.40	23.200	26.20	25.25

* TOOLED SIZE

DESIGN REFERENCE	NEXT ASSEMBLY	REV	ECO	ISSUE DATE AND DESCRIPTION	DRFT	CHKD
				DATE 05/11/11		
DISTRIBUTION CODES		DRFT	K.D. LIU	DATE	MFG	DATE
		CHKD		DATE	APPLY	DATE
DIVISION ESD	DIVISION CODE	© 3M COPYRIGHT This document is the copyrighted property of the 3M Company and may not be reproduced without 3M written permission or used for other than 3M authorized purposes.				
DO NOT SCALE DRAWING	SCALE 2:1	TOLERANCES EXCEPT AS NOTED INCHES .0 ± .00 ± .000 ± .0000 ± MILLIMETERS 0 ± 0.50 .0 ± 0.20 .00 ± 0.10 .000 ± 0.05 ANGLES ± 3°				
THIRD ANGLE PROJECTION		TITLE SPD08 HIGH SPEED CARD EDGE CONNECTOR, 0.8MM PITCH SMT				
INTERPRET PER ASME Y14.5 - 1994		CAGE NUMBER C DRAWING NO. 78-5100-2420-7 REV. A				
MAX SURFACE ROUGHNESS □ ALL SURFACES ✓ MARKED ONLY		MODEL DET. LISTS □ YES □ NO SHT 1 OF 4				

3M™ High-Speed Card-Edge CONNECTOR, SPD08

FIG. 2
FOR POSITIONS 064, 080, 100, 120,
140, 160, 180, 200, W/O LATCH OPTION
(SHOWN: SPD08-080-RB)



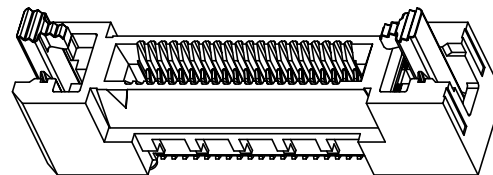
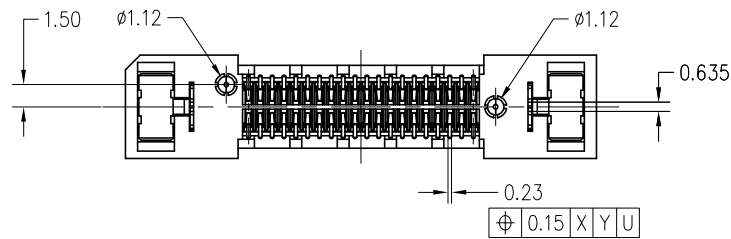
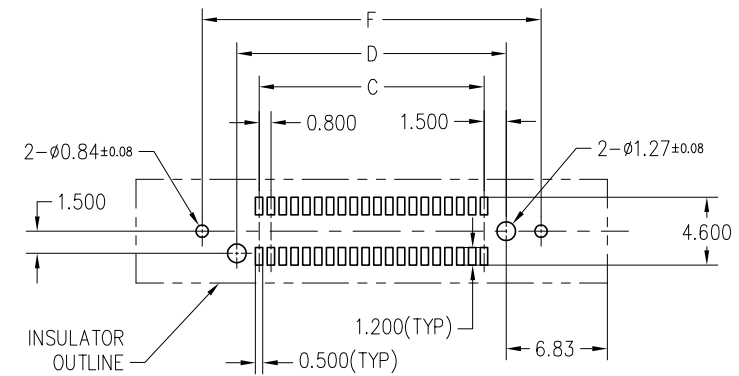
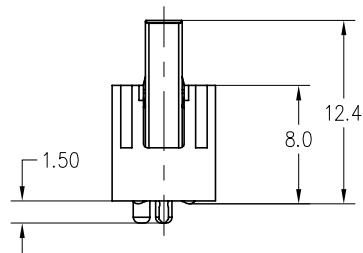
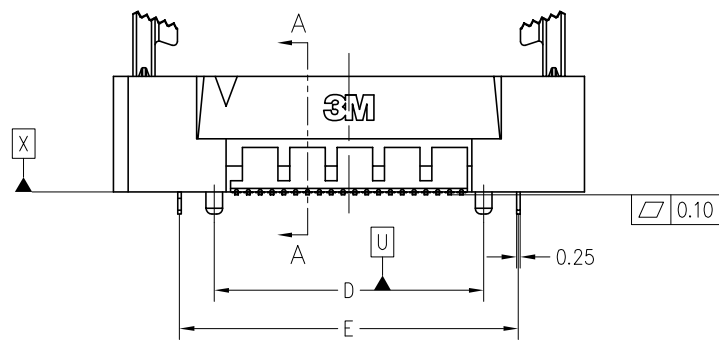
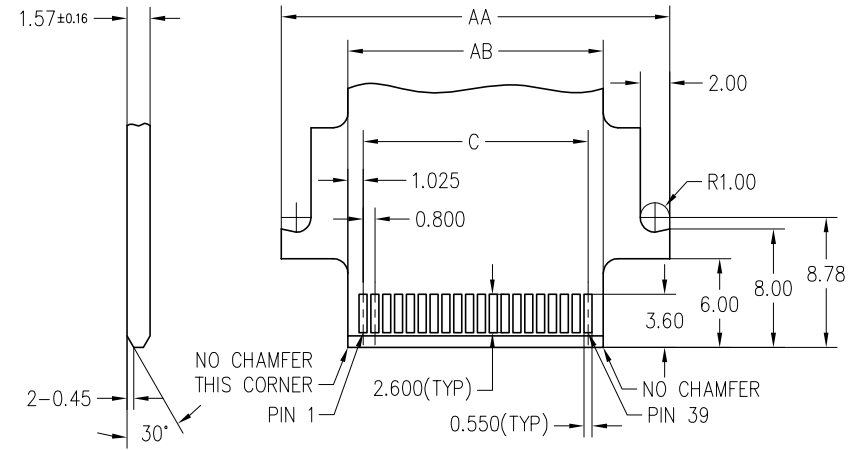
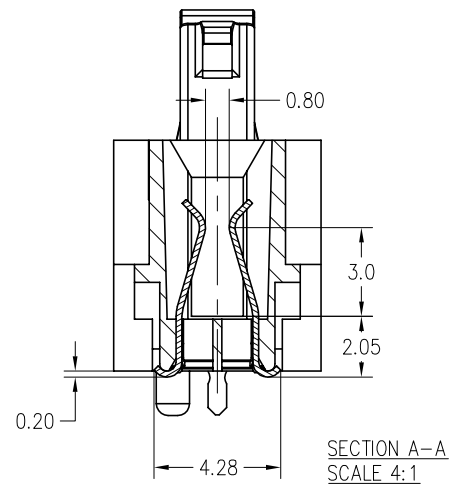
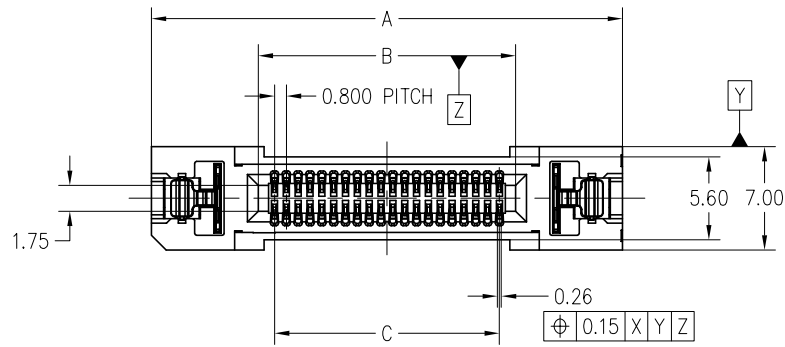
POS.	DIMENSIONS							
	A	B	C	D	E	F	AB	AC
64	33.40	30.20	16.70	13.600	28.000	31.00	30.05	16.625
80*	39.80	36.60	19.90	16.800	34.400	37.40	36.45	19.825
100	47.80	44.60	23.90	20.800	42.400	45.40	44.45	23.825
120	55.80	52.60	27.90	24.800	50.400	53.40	52.45	27.825
140	63.80	60.60	27.90	24.800	58.400	61.40	60.45	27.825
160	71.80	68.60	27.90	24.800	66.400	69.40	68.45	27.825
180	79.80	76.60	27.90	24.800	74.400	77.40	76.45	27.825
200	87.80	84.60	27.90	24.800	82.400	85.40	84.45	27.825

* TOOLED SIZE

DESIGN REFERENCE	NEXT ASSEMBLY	REV	ECO	ISSUE DATE AND DESCRIPTION	DRFT	CHKD
DISTRIBUTION CODES		DRFT	K.D. LIU	DATE 05/11/11	MFG	DATE
		CHKD		DATE	APPLY	DATE
DIVISION ESD	DIVISION CODE	© 3M COPYRIGHT This document is the copyrighted property of the 3M Company and may not be reproduced without 3M written permission or used for other than 3M authorized purposes.				
DO NOT SCALE DRAWING	SCALE 2:1	TOLERANCES EXCEPT AS NOTED INCHES .0 ± .00 ± .000 ± .0000 ± MILLIMETERS 0 ± 0.50 .0 ± 0.20 .00 ± 0.10 .000 ± 0.05 ANGLES ± 3°				
THIRD ANGLE PROJECTION	INTERPRET PER ASME Y14.5 - 1994	TITLE SPD08 HIGH SPEED CARD EDGE CONNECTOR, 0.8MM PITCH SMT				
MAX SURFACE ROUGHNESS	<input type="checkbox"/> ALL SURFACES <input checked="" type="checkbox"/> MARKED ONLY	CAGE NUMBER	SIZE	DRAWING NO.	REV.	
			C	78-5100-2420-7	A	
		MODEL	DET. LISTS <input type="checkbox"/> YES <input type="checkbox"/> NO		SHT 2 OF 4	

3M™ High-Speed Card-Edge CONNECTOR, SPD08

FIG. 3
FOR POSITIONS 020, 040, 060,
WITH LATCH OPTION
(SHOWN: SPD08-040-L-RB)



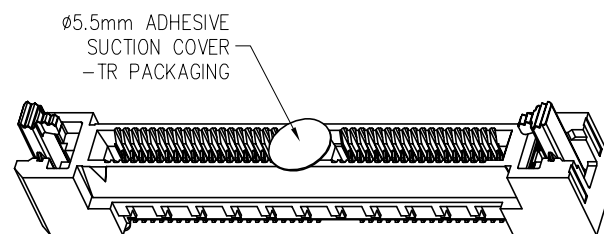
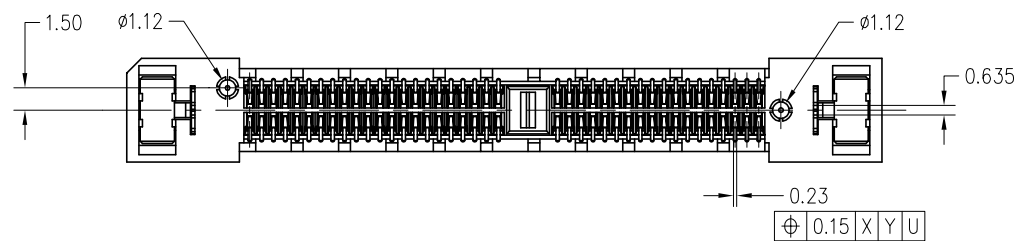
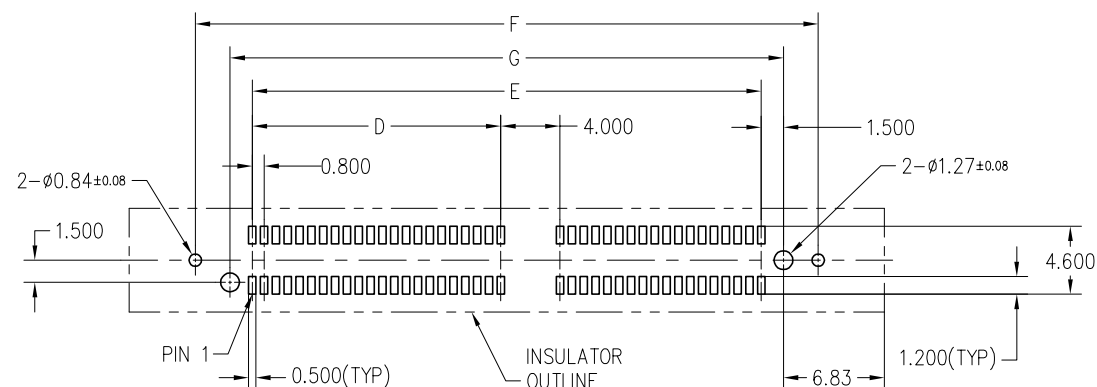
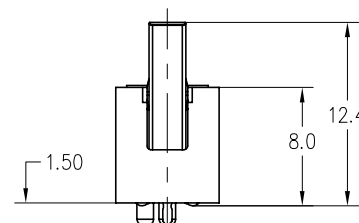
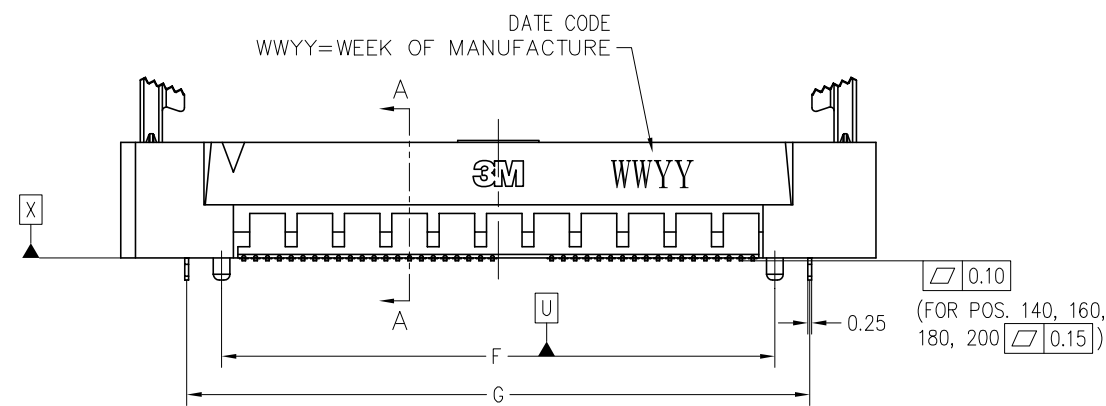
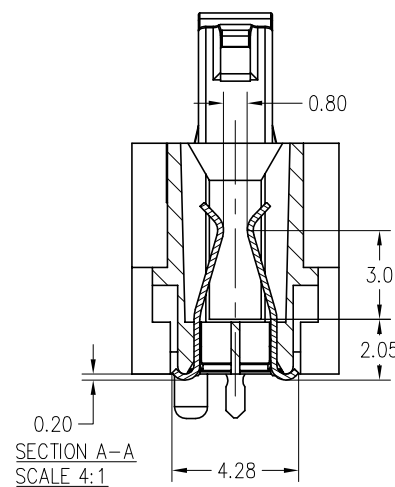
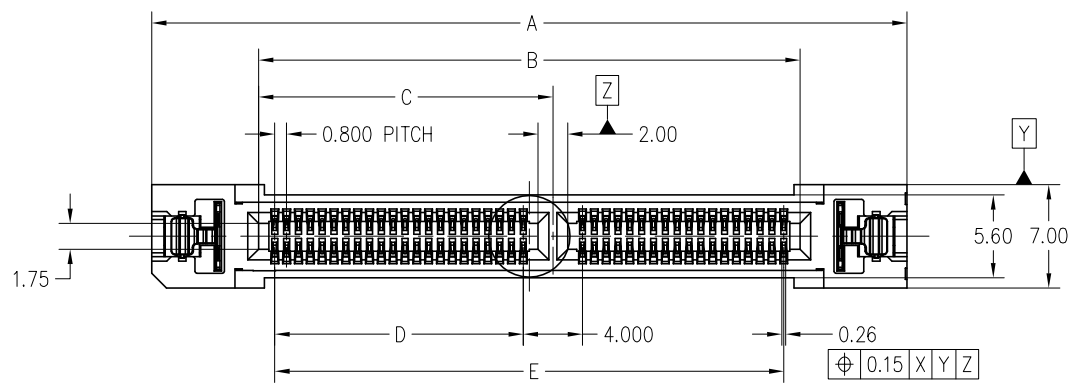
POS.	DIMENSIONS						
	A	B	C	D	E	AA	AB
20	23.85	9.40	7.200	10.20	12.90	18.25	9.25
40	31.85	17.40	15.200	18.20	20.90	26.25	17.25
60	39.85	25.40	23.200	26.20	28.90	34.25	25.25

* TOOLED SIZE

DESIGN REFERENCE	NEXT ASSEMBLY	REV	ECO	ISSUE DATE AND DESCRIPTION	DRFT	CHKD
DISTRIBUTION CODES		DRFT	K.D. LIU	DATE 05/11/11	MFG	DATE
		CHKD		DATE	APPLY	DATE
DIVISION ESD	DIVISION CODE	© 3M COPYRIGHT This document is the copyrighted property of the 3M Company and may not be reproduced without 3M written permission or used for other than 3M authorized purposes.				
DO NOT SCALE DRAWING	SCALE 2:1					
TOLERANCES EXCEPT AS NOTED		TITLE				
INCHES .0 ± .00 ± .000 ± .0000 ±		SPD08 HIGH SPEED CARD EDGE CONNECTOR, 0.8MM PITCH SMT				
MILLIMETERS 0 ± 0.50 .0 ± 0.20 .00 ± 0.10 .000 ± 0.05						
THIRD ANGLE PROJECTION INTERPRET PER ASME Y14.5 - 1994		CAGE NUMBER	SIZE C	DRAWING NO.	REV.	
MAX SURFACE ROUGHNESS □ ALL SURFACES ✓ □ MARKED ONLY		78-5100-2420-7	A			
ANGLES ± 3°		MODEL	DET. LISTS	□ YES □ NO	SHT 3 OF 4	

3M™ High-Speed Card-Edge CONNECTOR, SPD08

FIG. 4
FOR POSITIONS 064, 080, 100, 120,
140, 160, 180, 200, WITH LATCH OPTION
(SHOWN: SPD08-080-L-RB-TR)



POS.	DIMENSIONS									
	A	B	C	D	E	F	G	AA	AB	AC
64	44.65	30.20	16.70	13.600	28.000	31.00	35.70	39.05	30.05	16.625
80*	51.05	36.60	19.90	16.800	34.400	37.40	42.10	45.45	36.45	19.825
100	59.05	44.60	23.90	20.800	42.400	45.40	50.10	53.45	44.45	23.825
120	67.05	52.60	27.90	24.800	50.400	53.40	58.10	61.45	52.45	27.825
140	75.05	60.60	27.90	24.800	58.400	61.40	66.10	69.45	60.45	27.825
160	83.05	68.60	27.90	24.800	66.400	69.40	74.10	77.45	68.45	27.825
180	91.05	76.60	27.90	24.800	74.400	77.40	82.10	85.45	76.45	27.825
200	99.05	84.60	27.90	24.800	82.400	85.40	90.10	93.45	84.45	27.825

* TOOLED SIZE

DESIGN REFERENCE	NEXT ASSEMBLY	REV	ECO	ISSUE DATE AND DESCRIPTION	DRFT	CHKD
DISTRIBUTION CODES		DRFT	K.D. LIU	DATE 05/11/11	MFG	DATE
		CHKD		DATE	APPLY	DATE
DIVISION ESD	DIVISION CODE	© 3M COPYRIGHT This document is the copyrighted property of the 3M Company and may not be reproduced without 3M written permission or used for other than 3M authorized purposes.				
DO NOT SCALE DRAWING	SCALE 2:1					
THIRD ANGLE PROJECTION	TOLERANCES EXCEPT AS NOTED	TITLE SPD08 HIGH SPEED CARD EDGE CONNECTOR, 0.8MM PITCH SMT				
INTERPRET PER ASME Y14.5 - 1994	INCHES .0 ± .00 ± .000 ± .0000 ±					
MAX SURFACE ROUGHNESS	MILLIMETERS 0 ± 0.50 .0 ± 0.20 .00 ± 0.10 .000 ± 0.05	CAGE NUMBER	SIZE	DRAWING NO.	REV.	
✓ ALL SURFACES MARKED ONLY	ANGLES ± 3'	78-5100-2420-7	C	78-5100-2420-7	A	
		MODEL		DET. LISTS	YES	NO
						SHT 4 OF 4

Данный компонент на территории Российской Федерации

Вы можете приобрести в компании MosChip.

Для оперативного оформления запроса Вам необходимо перейти по данной ссылке:

<http://moschip.ru/get-element>

Вы можете разместить у нас заказ для любого Вашего проекта, будь то серийное производство или разработка единичного прибора.

В нашем ассортименте представлены ведущие мировые производители активных и пассивных электронных компонентов.

Нашей специализацией является поставка электронной компонентной базы двойного назначения, продукции таких производителей как XILINX, Intel (ex.ALTERA), Vicor, Microchip, Texas Instruments, Analog Devices, Mini-Circuits, Amphenol, Glenair.

Сотрудничество с глобальными дистрибьюторами электронных компонентов, предоставляет возможность заказывать и получать с международных складов практически любой перечень компонентов в оптимальные для Вас сроки.

На всех этапах разработки и производства наши партнеры могут получить квалифицированную поддержку опытных инженеров.

Система менеджмента качества компании отвечает требованиям в соответствии с ГОСТ Р ИСО 9001, ГОСТ РВ 0015-002 и ЭС РД 009

Офис по работе с юридическими лицами:

105318, г.Москва, ул.Щербаковская д.3, офис 1107, 1118, ДЦ «Щербаковский»

Телефон: +7 495 668-12-70 (многоканальный)

Факс: +7 495 668-12-70 (доб.304)

E-mail: info@moschip.ru

Skype отдела продаж:

moschip.ru

moschip.ru_4

moschip.ru_6

moschip.ru_9