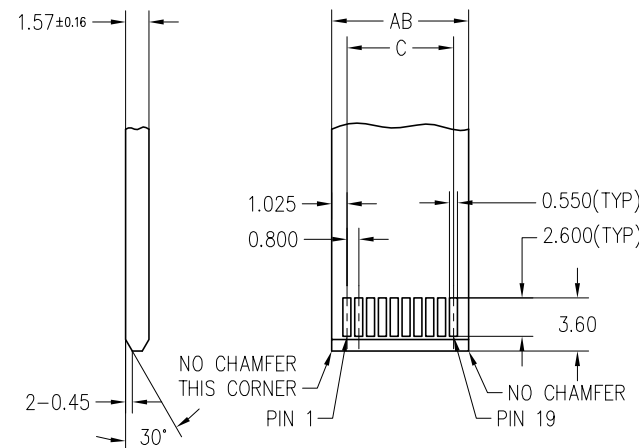
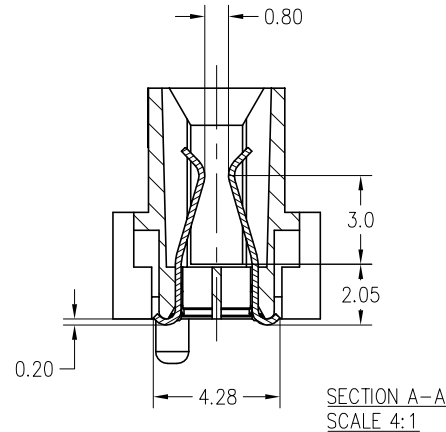


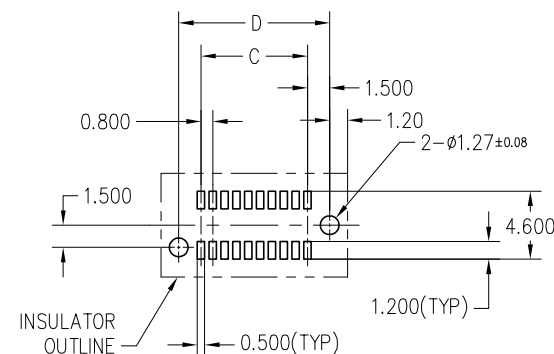
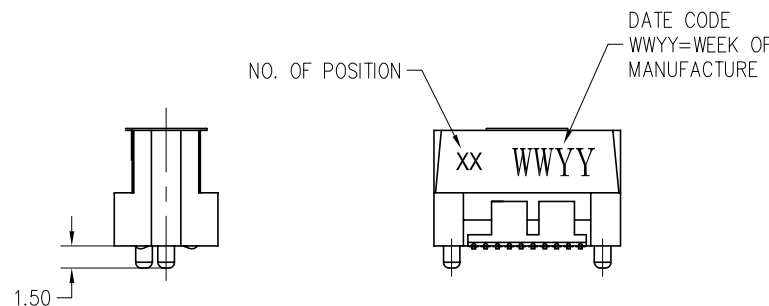
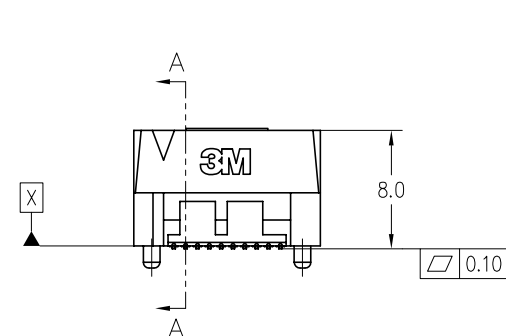
3M™ High-Speed Card-Edge CONNECTOR, SPD08

FIG. 1  
FOR POSITIONS 020, 040, 060,  
W/O LATCH OPTION  
(SHOWN: SPD08-020-RB-TR)



NOTES:

- MATERIAL:  
HOUSING: GLASS FILLED LCP, BLACK, UL 94V-0.  
LATCH: GLASS FILLED LCP, BEIGE, UL 94V-0.  
SOLDER TAB: COPPER ALLOY.  
CONTACT: COPPER ALLOY.
- FINISH:  
GOLD PLATING ON CONTACT MATING AREA,  
3~5um MATTE TIN ON SOLDER TAIL,  
1.27um NICKEL UNDER PLATED.
- RATING:  
CURRENT: 3.0A @ 30°C TEMPERATURE RISE.  
VOLTAGE: 50V AC.  
TEMPERATURE: -55 TO 125°C.  
CONTACT RESISTANCE: 50mΩ MAX.  
CHARACTERISTIC IMPEDANCE: 50Ω SINGLE-ENDED,  
100Ω DIFFERENTIAL.  
BANDWIDTH: 7.5GHz (RATED @ -3dB INSERTION LOSS,  
30mm STACK HEIGHT)
- ROHS COMPLIANT.
- PART NUMBERING INFORMATION:



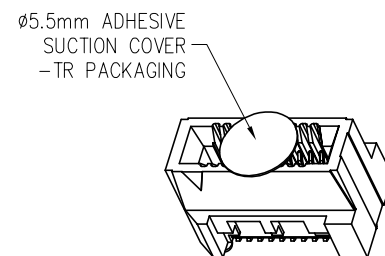
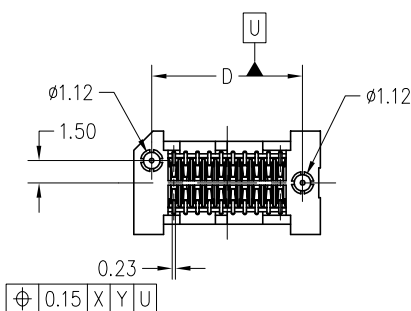
SPD08-XXX-X-XX-XX

NO OF POSITIONS  
020, 040, 060 (SEE FIG. 1, 3)  
064, 080, 100, 120, 140,  
160, 180, 200 (SEE FIG. 2, 4)

PACKAGING OPTION  
BLANK= TRAY  
TR= TAPE & REEL

PLATING OPTION  
RB= 0.76um GOLD  
RA= 0.25um GOLD

LATCHING OPTION  
BLANK= W/O LATCH (SEE FIG. 1, 2)  
L = WITH LATCH (SEE FIG. 3, 4)



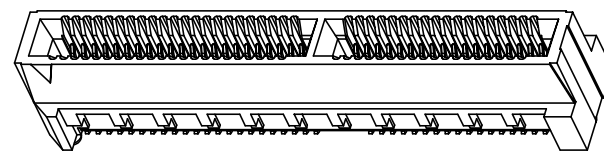
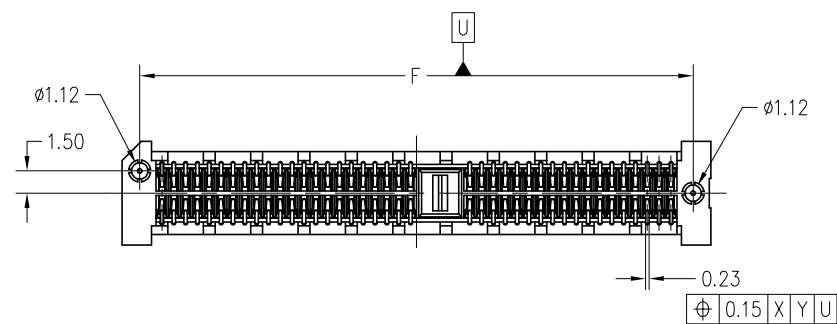
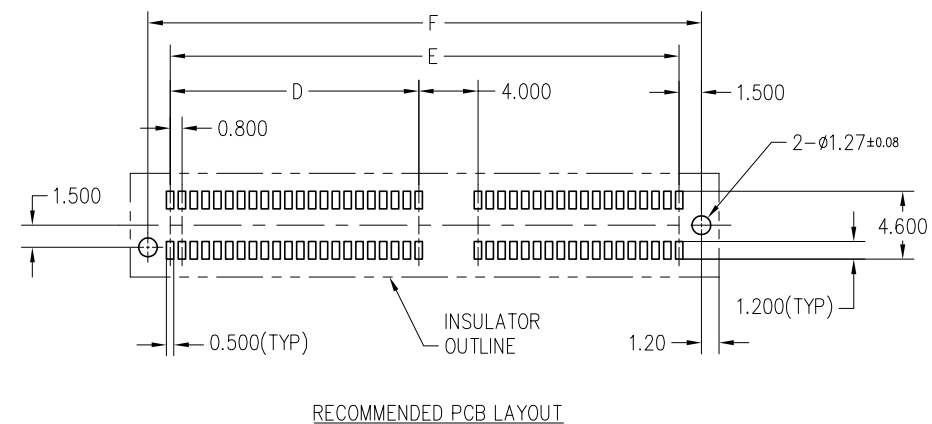
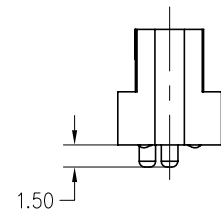
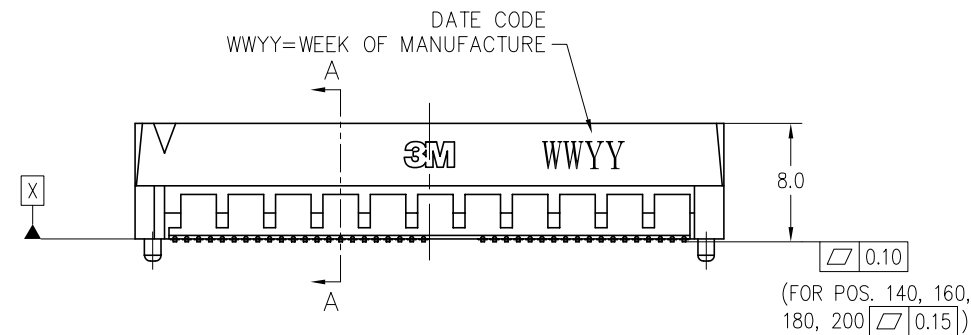
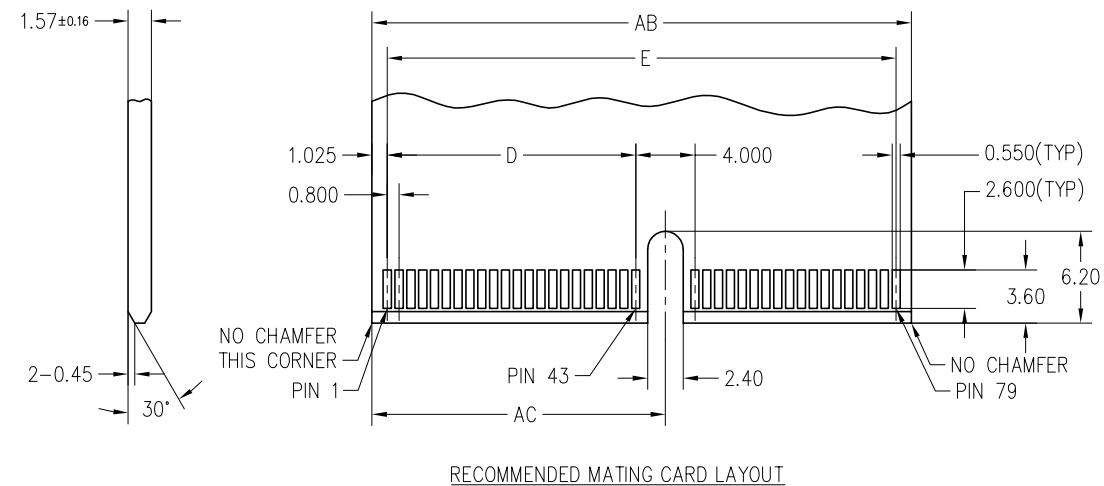
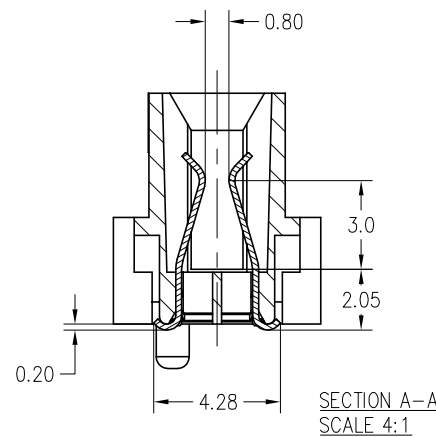
| POS. | DIMENSIONS |       |        |       |       |
|------|------------|-------|--------|-------|-------|
|      | A          | B     | C      | D     | AB    |
| 20*  | 12.60      | 9.40  | 7.200  | 10.20 | 9.25  |
| 40   | 20.60      | 17.40 | 15.200 | 18.20 | 17.25 |
| 60   | 28.60      | 25.40 | 23.200 | 26.20 | 25.25 |

\* TOOLED SIZE

|                        |  |  |          |                            |            |      |
|------------------------|--|--|----------|----------------------------|------------|------|
| DESIGN REFERENCE       | NEXT ASSEMBLY  | REV  | ECO      | ISSUE DATE AND DESCRIPTION | DRFT       | CHKD |
| DISTRIBUTION CODES     |  | DRFT   | K.D. LIU | DATE 05/11'11              | MFG        | DATE |
|                        |  | CHKD   |          | DATE                       | APPLY      | DATE |
| DIVISION ESD           | DIVISION CODE  | © 3M COPYRIGHT<br>This document is the copyrighted property of the 3M Company and may not be reproduced without 3M written permission or used for other than 3M authorized purposes. |          |                            |            |      |
| DO NOT SCALE DRAWING   | SCALE 2:1  | TOLERANCES EXCEPT AS NOTED<br>INCHES<br>.0 ±<br>.00 ±<br>.000 ±<br>.0000 ±<br>MILLIMETERS<br>0 ± 0.50<br>.0 ± 0.20<br>.00 ± 0.10<br>.000 ± 0.05<br>ANGLES ± 3°                       |          |                            |            |      |
| THIRD ANGLE PROJECTION | INTERPRET PER ASME Y14.5 - 1994  | TITLE<br>SPD08 HIGH SPEED CARD EDGE CONNECTOR, 0.8MM PITCH SMT   |          |                            |            |      |
| MAX SURFACE ROUGHNESS  | <input type="checkbox"/> ALL SURFACES<br><input checked="" type="checkbox"/> MARKED ONLY | CAGE NUMBER  | SIZE C   | DRAWING NO.                | REV. A     |      |
|                        |  | 78-5100-2420-7   |          |                            | SHT 1 OF 4 |      |

3M™ High-Speed Card-Edge CONNECTOR, SPD08

FIG. 2  
FOR POSITIONS 064, 080, 100, 120,  
140, 160, 180, 200, W/O LATCH OPTION  
(SHOWN: SPD08-080-RB)



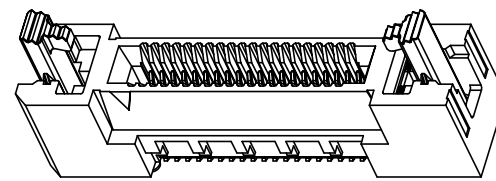
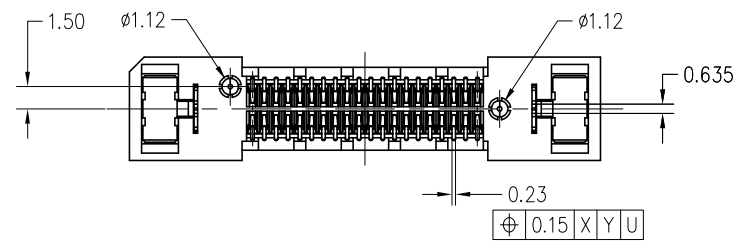
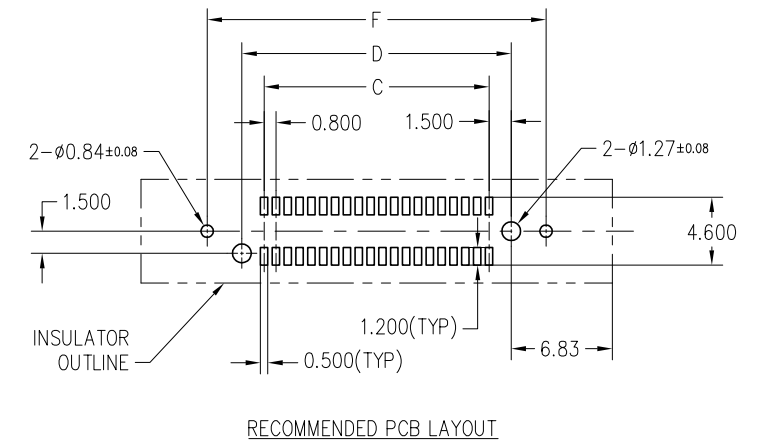
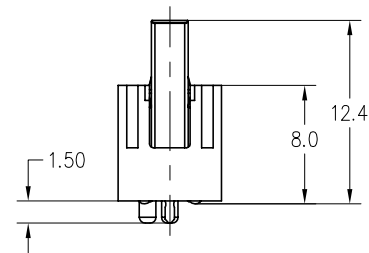
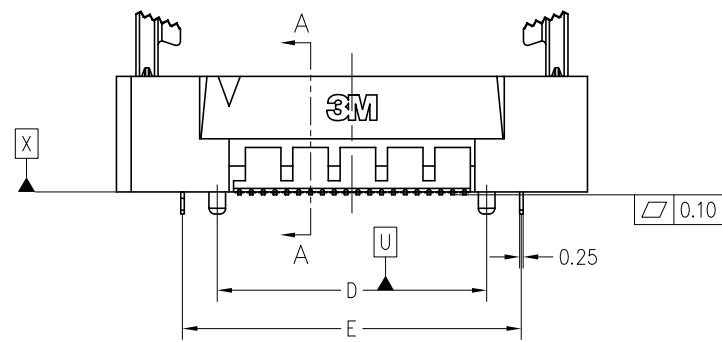
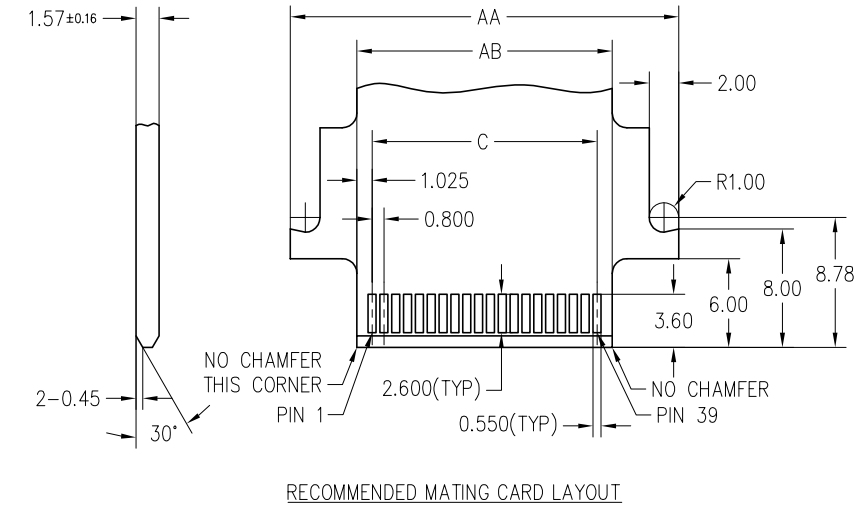
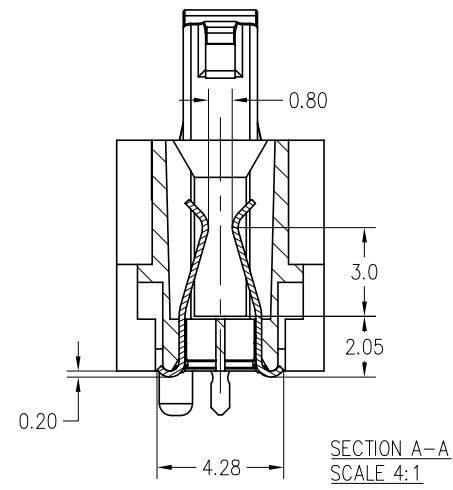
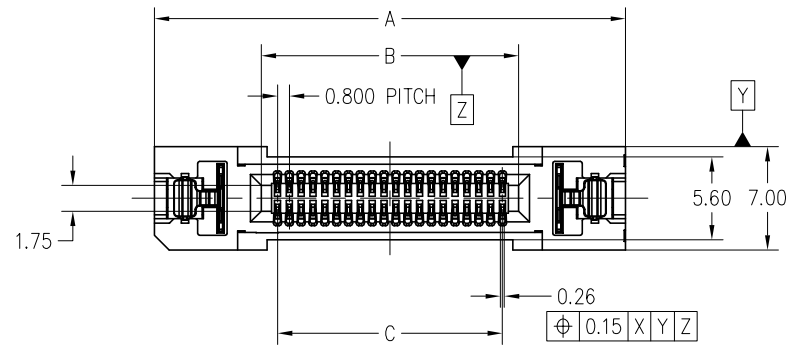
| POS. | DIMENSIONS |       |       |        |        |       |       |        |
|------|------------|-------|-------|--------|--------|-------|-------|--------|
|      | A          | B     | C     | D      | E      | F     | AB    | AC     |
| 64   | 33.40      | 30.20 | 16.70 | 13.600 | 28.000 | 31.00 | 30.05 | 16.625 |
| 80*  | 39.80      | 36.60 | 19.90 | 16.800 | 34.400 | 37.40 | 36.45 | 19.825 |
| 100  | 47.80      | 44.60 | 23.90 | 20.800 | 42.400 | 45.40 | 44.45 | 23.825 |
| 120  | 55.80      | 52.60 | 27.90 | 24.800 | 50.400 | 53.40 | 52.45 | 27.825 |
| 140  | 63.80      | 60.60 | 27.90 | 24.800 | 58.400 | 61.40 | 60.45 | 27.825 |
| 160  | 71.80      | 68.60 | 27.90 | 24.800 | 66.400 | 69.40 | 68.45 | 27.825 |
| 180  | 79.80      | 76.60 | 27.90 | 24.800 | 74.400 | 77.40 | 76.45 | 27.825 |
| 200  | 87.80      | 84.60 | 27.90 | 24.800 | 82.400 | 85.40 | 84.45 | 27.825 |

\* TOOLED SIZE

|                        |  |  |          |                            |            |      |
|------------------------|--|--|----------|----------------------------|------------|------|
| DESIGN REFERENCE       | NEXT ASSEMBLY  | REV  | ECO      | ISSUE DATE AND DESCRIPTION | DRFT       | CHKD |
| DISTRIBUTION CODES     |  | DRFT   | K.D. LIU | DATE 05/11/11              | MFG        | DATE |
|                        |  | CHKD   |          | DATE                       | APPLY      | DATE |
| DIVISION ESD           | DIVISION CODE  | © 3M COPYRIGHT<br>This document is the copyrighted property of the 3M Company and may not be reproduced without 3M written permission or used for other than 3M authorized purposes. |          |                            |            |      |
| DO NOT SCALE DRAWING   | SCALE 2:1  | TOLERANCES EXCEPT AS NOTED<br>INCHES<br>.0 ±<br>.00 ±<br>.000 ±<br>.0000 ±<br>MILLIMETERS<br>0 ± 0.50<br>.0 ± 0.20<br>.00 ± 0.10<br>.000 ± 0.05<br>ANGLES ± 3°                       |          |                            |            |      |
| THIRD ANGLE PROJECTION | INTERPRET PER ASME Y14.5 - 1994  | TITLE<br>SPD08 HIGH SPEED CARD EDGE CONNECTOR, 0.8MM PITCH SMT   |          |                            |            |      |
| MAX SURFACE ROUGHNESS  | <input type="checkbox"/> ALL SURFACES<br><input checked="" type="checkbox"/> MARKED ONLY | CAGE NUMBER  | SIZE C   | DRAWING NO.                | REV. A     |      |
|                        |  | 78-5100-2420-7   |          |                            | SHT 2 OF 4 |      |

# 3M™ High-Speed Card-Edge CONNECTOR, SPD08

FIG. 3  
FOR POSITIONS 020, 040, 060,  
WITH LATCH OPTION  
(SHOWN: SPD08-040-L-RB)



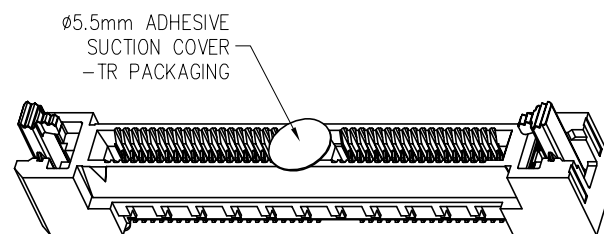
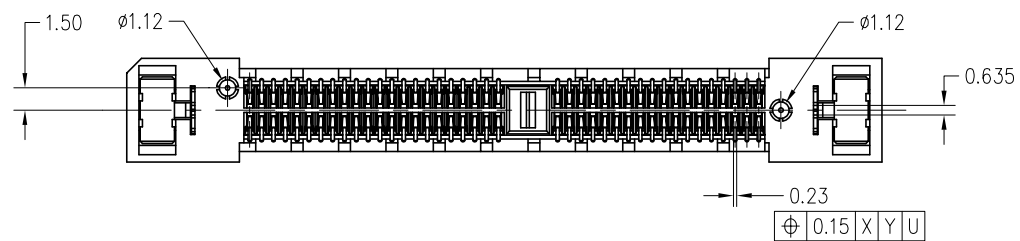
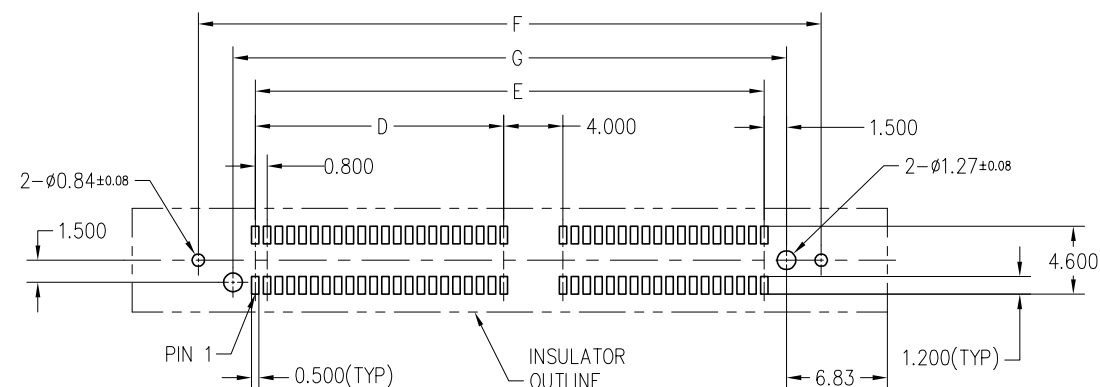
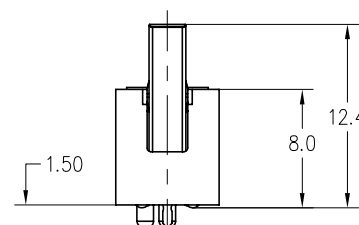
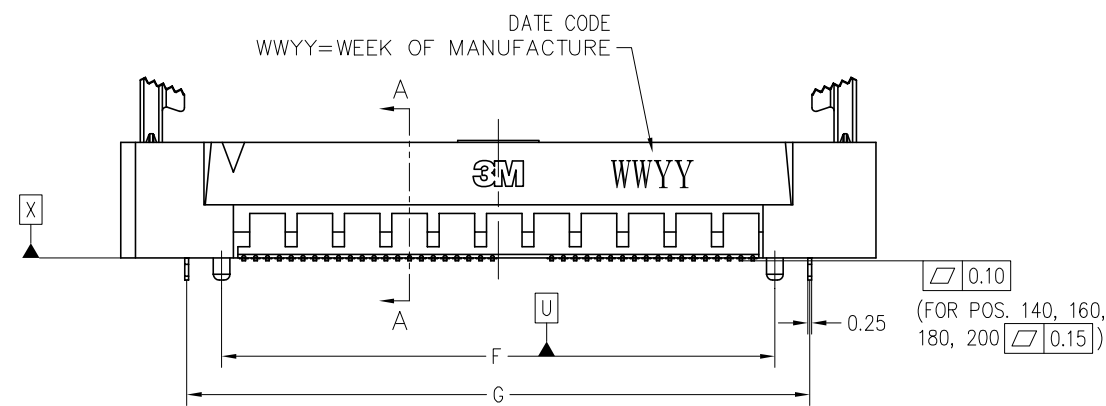
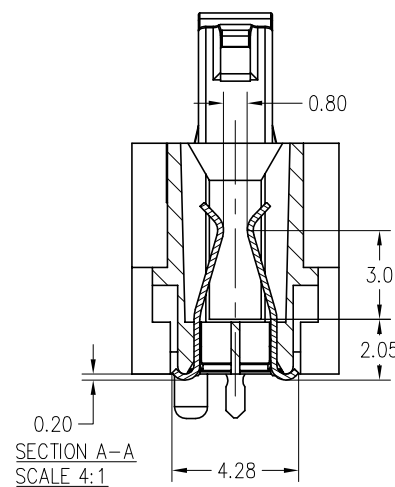
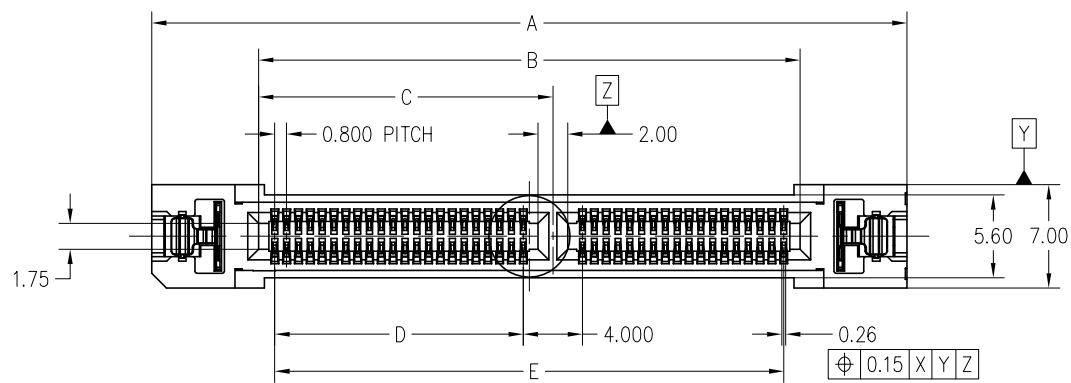
| POS. | DIMENSIONS |       |        |       |       |       |       |
|------|------------|-------|--------|-------|-------|-------|-------|
|      | A          | B     | C      | D     | E     | AA    | AB    |
| 20   | 23.85      | 9.40  | 7.200  | 10.20 | 12.90 | 18.25 | 9.25  |
| 40   | 31.85      | 17.40 | 15.200 | 18.20 | 20.90 | 26.25 | 17.25 |
| 60   | 39.85      | 25.40 | 23.200 | 26.20 | 28.90 | 34.25 | 25.25 |

\* TOOLED SIZE

|                                 |               |                            |          |  |          |       |      |
|---------------------------------|---------------|----------------------------|----------|--|----------|-------|------|
| DESIGN REFERENCE                | NEXT ASSEMBLY | REV                        | ECO      | ISSUE DATE AND DESCRIPTION   |          | DRFT  | CHKD |
| DISTRIBUTION CODES              |               | DRFT                       | K.D. LIU | DATE   | 05/11/11 | MFG   | DATE |
|                                 |               | CHKD                       |          | DATE   |          | APPLY | DATE |
| DIVISION                        | ESD           | DIVISION CODE              |          | © 3M COPYRIGHT   |          |       |      |
| DO NOT SCALE DRAWING            | SCALE 2:1     | TOLERANCES EXCEPT AS NOTED |          | This document is the copyrighted property of the 3M Company and may not be reproduced without 3M written permission or used for other than 3M authorized purposes. |          |       |      |
| THIRD ANGLE PROJECTION          |               | INCHES                     |          | TITLE  |          |       |      |
| INTERPRET PER ASME Y14.5 - 1994 |               | MILLIMETERS                |          | SPD08 HIGH SPEED CARD EDGE CONNECTOR, 0.8MM PITCH SMT  |          |       |      |
| MAX SURFACE ROUGHNESS           |               | .0 ±                       |          | CAGE NUMBER  |          |       |      |
| ☐ ALL SURFACES                  |               | .00 ±                      |          | SIZE   |          |       |      |
| ☑ MARKED ONLY                   |               | .000 ±                     |          | DRAWING NO.  |          |       |      |
|                                 |               | .000 ±                     |          | 78-5100-2420-7   |          |       |      |
|                                 |               | .000 ±                     |          | REV.   |          |       |      |
|                                 |               | .000 ±                     |          | A  |          |       |      |
|                                 |               | ANGLES ±                   |          | MODEL  |          |       |      |
|                                 |               | 3°                         |          | DET. LISTS   |          |       |      |
|                                 |               |                            |          | SHT 3 OF 4   |          |       |      |

3M™ High-Speed Card-Edge CONNECTOR, SPD08

FIG. 4  
FOR POSITIONS 064, 080, 100, 120,  
140, 160, 180, 200, WITH LATCH OPTION  
(SHOWN: SPD08-080-L-RB-TR)



| POS. | DIMENSIONS |       |       |        |        |       |       |       |       |        |
|------|------------|-------|-------|--------|--------|-------|-------|-------|-------|--------|
|      | A          | B     | C     | D      | E      | F     | G     | AA    | AB    | AC     |
| 64   | 44.65      | 30.20 | 16.70 | 13.600 | 28.000 | 31.00 | 35.70 | 39.05 | 30.05 | 16.625 |
| 80*  | 51.05      | 36.60 | 19.90 | 16.800 | 34.400 | 37.40 | 42.10 | 45.45 | 36.45 | 19.825 |
| 100  | 59.05      | 44.60 | 23.90 | 20.800 | 42.400 | 45.40 | 50.10 | 53.45 | 44.45 | 23.825 |
| 120  | 67.05      | 52.60 | 27.90 | 24.800 | 50.400 | 53.40 | 58.10 | 61.45 | 52.45 | 27.825 |
| 140  | 75.05      | 60.60 | 27.90 | 24.800 | 58.400 | 61.40 | 66.10 | 69.45 | 60.45 | 27.825 |
| 160  | 83.05      | 68.60 | 27.90 | 24.800 | 66.400 | 69.40 | 74.10 | 77.45 | 68.45 | 27.825 |
| 180  | 91.05      | 76.60 | 27.90 | 24.800 | 74.400 | 77.40 | 82.10 | 85.45 | 76.45 | 27.825 |
| 200  | 99.05      | 84.60 | 27.90 | 24.800 | 82.400 | 85.40 | 90.10 | 93.45 | 84.45 | 27.825 |

\* TOOLED SIZE

|                        |  |  |          |                            |  |            |
|------------------------|--|--|----------|----------------------------|--|------------|
| DESIGN REFERENCE       | NEXT ASSEMBLY  | REV  | ECO      | ISSUE DATE AND DESCRIPTION | DRFT   | CHKD       |
| DISTRIBUTION CODES     |  | DRFT   | K.D. LIU | DATE 05/11/11              | MFG  | DATE       |
|                        |  | CHKD   |          | DATE                       | APPLY  | DATE       |
| DIVISION ESD           | DIVISION CODE  | © 3M COPYRIGHT<br>This document is the copyrighted property of the 3M Company and may not be reproduced without 3M written permission or used for other than 3M authorized purposes. |          |                            |  |            |
| DO NOT SCALE DRAWING   | SCALE 2:1  | TOLERANCES EXCEPT AS NOTED<br>INCHES<br>.0 ±<br>.00 ±<br>.000 ±<br>.0000 ±<br>MILLIMETERS<br>0 ± 0.50<br>.0 ± 0.20<br>.00 ± 0.10<br>.000 ± 0.05<br>ANGLES ± 3°                       |          |                            |  |            |
| THIRD ANGLE PROJECTION | INTERPRET PER ASME Y14.5 - 1994  | TITLE<br>SPD08 HIGH SPEED CARD EDGE CONNECTOR, 0.8MM PITCH SMT   |          |                            |  |            |
| MAX SURFACE ROUGHNESS  | <input type="checkbox"/> ALL SURFACES<br><input checked="" type="checkbox"/> MARKED ONLY | CAGE NUMBER  | SIZE C   | DRAWING NO.                | 78-5100-2420-7   | REV. A     |
|                        |  | MODEL  |          | DET. LISTS                 | <input type="checkbox"/> YES <input type="checkbox"/> NO | SHT 4 OF 4 |

## Данный компонент на территории Российской Федерации

### Вы можете приобрести в компании MosChip.

Для оперативного оформления запроса Вам необходимо перейти по данной ссылке:

<http://moschip.ru/get-element>

Вы можете разместить у нас заказ для любого Вашего проекта, будь то серийное производство или разработка единичного прибора.

В нашем ассортименте представлены ведущие мировые производители активных и пассивных электронных компонентов.

Нашей специализацией является поставка электронной компонентной базы двойного назначения, продукции таких производителей как XILINX, Intel (ex.ALTERA), Vicor, Microchip, Texas Instruments, Analog Devices, Mini-Circuits, Amphenol, Glenair.

Сотрудничество с глобальными дистрибьюторами электронных компонентов, предоставляет возможность заказывать и получать с международных складов практически любой перечень компонентов в оптимальные для Вас сроки.

На всех этапах разработки и производства наши партнеры могут получить квалифицированную поддержку опытных инженеров.

Система менеджмента качества компании отвечает требованиям в соответствии с ГОСТ Р ИСО 9001, ГОСТ РВ 0015-002 и ЭС РД 009

### Офис по работе с юридическими лицами:

105318, г.Москва, ул.Щербаковская д.3, офис 1107, 1118, ДЦ «Щербаковский»

Телефон: +7 495 668-12-70 (многоканальный)

Факс: +7 495 668-12-70 (доб.304)

E-mail: [info@moschip.ru](mailto:info@moschip.ru)

Skype отдела продаж:

moschip.ru

moschip.ru\_4

moschip.ru\_6

moschip.ru\_9