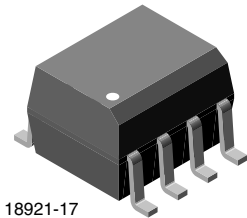
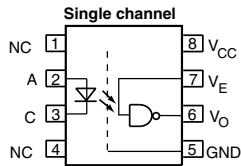




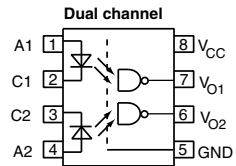
High Speed Optocoupler, 10 MBd, SOIC-8 Package



18921-17



VO0600T, VO0601T, VO0611T



VO0630T, VO0631T, VO0661T

18921-26



FEATURES

- Choice of CMR performance of 15 kV/μs, 5 kV/μs, and 1 kV/μs
- High speed: 10 MBd typical
- + 5 V CMOS compatibility
- Pure tin leads
- Guaranteed AC and DC performance over temperature: - 40 °C to + 100 °C temp. range
- Meets IEC 60068-2-42 (SO₂) and IEC 60068-2-43 (H₂S) requirements
- Low input current capability: 5 mA
- Material categorization: For definitions of compliance please see www.vishay.com/doc?99912



RoHS
COMPLIANT

DESCRIPTION

The VO06xxT family are single and dual channel 10 MBd optocoupler utilizing a high efficient input LED coupled with an integrated optical photodiode IC detector. The detector has an open drain NMOS-transistor output, providing less leakage compared to an open collector Schottky clamped transistor output. For the single channel type, an enable function on pin 7 allows the detector to be strobed. The internal shield provides a guaranteed common mode transient immunity of 5 kV/μs for the VO0601T and VO0631T and 15 kV/μs for the VO0611T and VO0661T. The use of a 0.1 μF bypass capacitor connected between pin 5 and 8 is recommended.

AGENCY APPROVALS

- UL1577, file no. E52744
- cUL-file no. E52744, equivalent to CSA bulletin 5A
- DIN EN 60747-5-5 (VDE 0884-5), available with option 1

APPLICATIONS

- Microprocessor system M interface
- PLC, ATE input/output isolation
- Computer peripheral interface: SPI
- Digital fieldbus isolation: CC-Link, DeviceNet, profibus, SDS
- High speed A/D and D/A conversion
- AC plasma display panel level shifting
- Multiplexed data transmission
- Digital control power supply
- Ground loop elimination

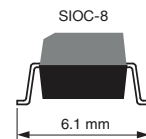
ORDERING INFORMATION



PART NUMBER

PACKAGE OPTION

TAPE AND REEL



| AGENCY CERTIFIED/PACKAGE | 1 CHANNEL | | | 2 CHANNELS | | |
|--------------------------|-------------|--------------|-----------|-------------|--------------|-----------|
| | CMR (kV/μs) | | | CMR (kV/μs) | | |
| UL, cUL | 1 | 5 | 15 | 1 | 5 | 15 |
| SOIC-8 | VO0600T | VO0601T | VO0611T | VO0630T | VO0631T | VO0661T |
| UL, cUL, VDE | 1 | 5 | 15 | 1 | 5 | 15 |
| SOIC-8 | - | VO0601-X001T | - | - | VO0631-X001T | - |



| TRUTH TABLE (positive logic) | | |
|-------------------------------------|-----------------------|--------|
| LED | ENABLE ⁽¹⁾ | OUTPUT |
| On | H | L |
| Off | H | H |
| On | L | H |
| Off | L | H |
| On | NC | L |
| Off | NC | H |

Note

⁽¹⁾ Only applicable for single channel devices

| ABSOLUTE MAXIMUM RATINGS ($T_{amb} = 25\text{ }^{\circ}\text{C}$, unless otherwise specified) | | | | |
|--|------------------------------|------------|-------------------------|--------------------|
| PARAMETER | TEST CONDITION | SYMBOL | VALUE | UNIT |
| INPUT | | | | |
| Average forward current (single channel) | | I_F | 20 | mA |
| Average forward current (dual channel) | | I_F | 15 | mA |
| Reverse input voltage | | V_R | 5 | V |
| Enable input voltage (single channel) | | V_E | $V_{CC} + 0.5\text{ V}$ | V |
| Enable input current (single channel) | | I_E | 5 | mA |
| Surge current | $t = 100\text{ }\mu\text{s}$ | I_{FSM} | 200 | mA |
| Output power dissipation (single channel) | | P_{diss} | 35 | mW |
| Output power dissipation (per channel for dual channel) | | P_{diss} | 25 | mW |
| OUTPUT | | | | |
| Supply voltage | 1 min maximum | V_{CC} | 7 | V |
| Output current | | I_O | 50 | mA |
| Output voltage | | V_O | 7 | V |
| Output power dissipation (single channel) | | P_{diss} | 85 | mW |
| Output power dissipation (per channel for dual channel) | | P_{diss} | 60 | mW |
| COUPLER | | | | |
| Isolation test voltage | $t = 1\text{ s}$ | V_{ISO} | 4000 | V_{RMS} |
| Storage temperature | | T_{stg} | - 55 to + 150 | $^{\circ}\text{C}$ |
| Operating temperature | | T_{amb} | - 40 to + 100 | $^{\circ}\text{C}$ |
| Lead solder temperature | for 10 s | | 260 | $^{\circ}\text{C}$ |
| Solder reflow temperature ⁽¹⁾ | for 1 min | | 260 | $^{\circ}\text{C}$ |

Notes

- Stresses in excess of the absolute maximum ratings can cause permanent damage to the device. Functional operation of the device is not implied at these or any other conditions in excess of those given in the operational sections of this document. Exposure to absolute maximum ratings for extended periods of the time can adversely affect reliability.

⁽¹⁾ Refer to reflow profile for soldering conditions for surface mounted devices.

| RECOMMENDED OPERATING CONDITION | | | | | | |
|--|--------------------------|-----------|------|------|----------|--------------------|
| PARAMETER | TEST CONDITION | SYMBOL | MIN. | TYP. | MAX. | UNIT |
| Operating temperature | | T_{amb} | - 40 | | 100 | $^{\circ}\text{C}$ |
| Supply voltage | | V_{CC} | 4.5 | | 5.5 | V |
| Input current low level | | I_{FL} | 0 | | 250 | μA |
| Input current high level | | I_{FH} | 5 | | 15 | mA |
| Output pull up resistor | | R_L | 330 | | 4K | Ω |
| Logic high enable voltage | | V_{EH} | 2 | | V_{CC} | V |
| Logic low enable voltage | | V_{EL} | 0.0 | | 0.8 | V |
| Fanout | $R_L = 1\text{ k}\Omega$ | N | | | 5 | - |



| ELECTRICAL CHARACTERISTICS ($T_{amb} = 25\text{ }^{\circ}\text{C}$, unless otherwise specified) | | | | | | |
|--|---|-----------|------|-------|------|---------------|
| PARAMETER | TEST CONDITION | SYMBOL | MIN. | TYP. | MAX. | UNIT |
| INPUT | | | | | | |
| Input forward voltage | $I_F = 10\text{ mA}$ | V_F | 1.1 | 1.4 | 1.7 | V |
| Reverse current | $V_R = 5\text{ V}$ | I_R | | 0.01 | 10 | μA |
| Input capacitance | $f = 1\text{ MHz}, V_F = 0\text{ V}$ | C_I | | 55 | | pF |
| OUTPUT | | | | | | |
| High level supply current (single channel) | $V_E = 0.5\text{ V}, I_F = 0\text{ mA}$ | I_{CCH} | | 4.1 | 7 | mA |
| | $V_E = V_{CC}, I_F = 0\text{ mA}$ | I_{CCH} | | 3.3 | 6 | mA |
| High level supply current (dual channel) | $I_F = 10\text{ mA}$ | I_{CCH} | | 6.5 | 12 | mA |
| Low level supply current (single channel) | $V_E = 0.5\text{ V}, I_F = 10\text{ mA}$ | I_{CCL} | | 4 | 7 | mA |
| | $V_E = V_{CC}, I_F = 10\text{ mA}$ | I_{CCL} | | 3.3 | 6 | mA |
| Low level supply current (dual channel) | $I_F = 10\text{ mA}$ | I_{CCL} | | 6.5 | 12 | mA |
| High level output current | $V_E = 2\text{ V}, V_O = 5.5\text{ V}, I_F = 250\text{ }\mu\text{A}$ | I_{OH} | | 0.002 | 1 | μA |
| Low level output voltage | $V_E = 2\text{ V}, I_F = 5\text{ mA}, I_{OL}(\text{sinking}) = 13\text{ mA}$ | V_{OL} | | 0.2 | 0.6 | V |
| Input threshold current | $V_E = 2\text{ V}, V_O = 5.5\text{ V}, I_{OL}(\text{sinking}) = 13\text{ mA}$ | I_{TH} | | 2.4 | 5 | mA |
| High level enable current | | I_{EH} | | -0.6 | -1.6 | mA |
| Low level enable current | | I_{EL} | | -0.8 | -1.6 | mA |
| High level enable voltage | | V_{EH} | 2 | | | V |
| Low level enable voltage | | V_{EL} | | | 0.8 | V |

Note

- Minimum and maximum values are testing requirements. Typical values are characteristics of the device and are the result of engineering evaluation. Typical values are for information only and are not part of the testing requirements.

| SWITCHING CHARACTERISTICS | | | | | | |
|--|---|-----------------------|------|------|------|------|
| PARAMETER | TEST CONDITION | SYMBOL | MIN. | TYP. | MAX. | UNIT |
| Propagation delay time to high output level | $R_L = 350\text{ }\Omega, C_L = 15\text{ pF}$ | t_{PLH} | 20 | 48 | 100 | ns |
| Propagation delay time to low output level | $R_L = 350\text{ }\Omega, C_L = 15\text{ pF}$ | t_{PHL} | 25 | 50 | 100 | ns |
| Pulse width distortion | $R_L = 350\text{ }\Omega, C_L = 15\text{ pF}$ | $ t_{PHL} - t_{PLH} $ | | 2.9 | 35 | ns |
| Propagation delay skew | $R_L = 350\text{ }\Omega, C_L = 15\text{ pF}$ | t_{PSK} | | 8 | 40 | ns |
| Output rise time (10 to 90 %) | $R_L = 350\text{ }\Omega, C_L = 15\text{ pF}$ | t_r | | 23 | | ns |
| Output fall time (90 to 10 %) | $R_L = 350\text{ }\Omega, C_L = 15\text{ pF}$ | t_f | | 7 | | ns |
| Propagation delay time of enable from V_{EH} to V_{EL} | $R_L = 350\text{ }\Omega, C_L = 15\text{ pF}, V_{EL} = 0\text{ V}, V_{EH} = 3\text{ V}$ | t_{ELH} | | 12 | | ns |
| Propagation delay time of enable from V_{EL} to V_{EH} | $R_L = 350\text{ }\Omega, C_L = 15\text{ pF}, V_{EL} = 0\text{ V}, V_{EH} = 3\text{ V}$ | t_{EHL} | | 11 | | ns |

Note

- Over recommended temperature ($T_A = -40\text{ }^{\circ}\text{C}$ to $+100\text{ }^{\circ}\text{C}$), $V_{CC} = 5\text{ V}, I_F = 7.5\text{ mA}$ unless otherwise specified. All typicals at $T_A = 25\text{ }^{\circ}\text{C}, V_{CC} = 5\text{ V}$.

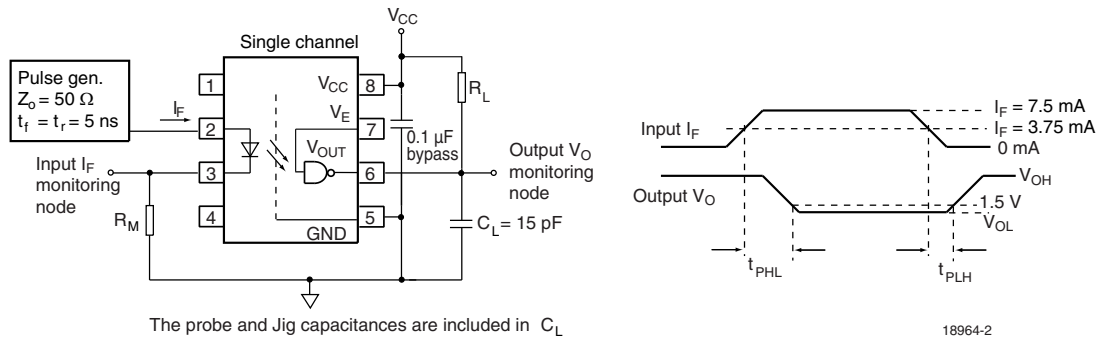


Fig. 1 - Single Channel Test Circuit for t_{PLH} , t_{PHL} , t_r and t_f



Fig. 2 - Dual Channel Test Circuit for t_{PLH} , t_{PHL} , t_r and t_f

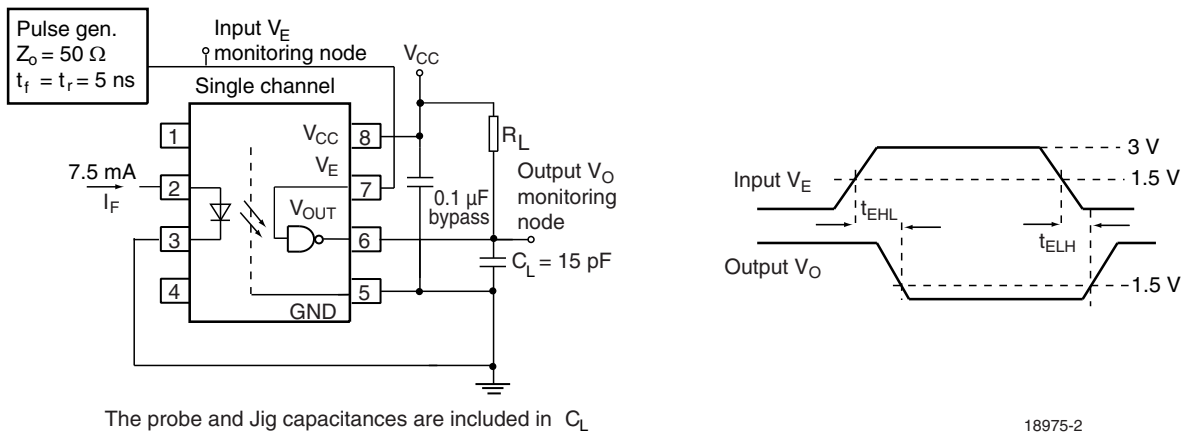


Fig. 3 - Single Channel Test Circuit for t_{EHL} , t_{ELH}



| COMMON MODE TRANSIENT IMMUNITY | | | | | | |
|---------------------------------------|--|----------|--------|--------|------|------------------------|
| PARAMETER | TEST CONDITION | SYMBOL | MIN. | TYP. | MAX. | UNIT |
| Common mode transient immunity (high) | $ V_{CM} = 10\text{ V}, V_{CC} = 5\text{ V}, I_F = 0\text{ mA}, V_{O(\min)} = 2\text{ V}, R_L = 350\ \Omega, T_{\text{amb}} = 25\text{ }^\circ\text{C}^{(1)}$ | $ CM_H $ | 1000 | | | $\text{V}/\mu\text{s}$ |
| | $ V_{CM} = 50\text{ V}, V_{CC} = 5\text{ V}, I_F = 0\text{ mA}, V_{O(\min)} = 2\text{ V}, R_L = 350\ \Omega, T_{\text{amb}} = 25\text{ }^\circ\text{C}^{(2)}$ | $ CM_H $ | 5000 | 10 000 | | $\text{V}/\mu\text{s}$ |
| | $ V_{CM} = 1\text{ kV}, V_{CC} = 5\text{ V}, I_F = 0\text{ mA}, V_{O(\min)} = 2\text{ V}, R_L = 350\ \Omega, T_{\text{amb}} = 25\text{ }^\circ\text{C}^{(3)}$ | $ CM_H $ | 15 000 | 25 000 | | $\text{V}/\mu\text{s}$ |
| Common mode transient immunity (low) | $ V_{CM} = 10\text{ V}, V_{CC} = 5\text{ V}, I_F = 7.5\text{ mA}, V_{O(\max)} = 0.8\text{ V}, R_L = 350\ \Omega, T_{\text{amb}} = 25\text{ }^\circ\text{C}^{(1)}$ | $ CM_L $ | 1000 | | | $\text{V}/\mu\text{s}$ |
| | $ V_{CM} = 50\text{ V}, V_{CC} = 5\text{ V}, I_F = 7.5\text{ mA}, V_{O(\max)} = 0.8\text{ V}, R_L = 350\ \Omega, T_{\text{amb}} = 25\text{ }^\circ\text{C}^{(2)}$ | $ CM_L $ | 5000 | 10 000 | | $\text{V}/\mu\text{s}$ |
| | $ V_{CM} = 1\text{ kV}, V_{CC} = 5\text{ V}, I_F = 7.5\text{ mA}, V_{O(\max)} = 0.8\text{ V}, R_L = 350\ \Omega, T_{\text{amb}} = 25\text{ }^\circ\text{C}^{(3)}$ | $ CM_L $ | 15 000 | 25 000 | | $\text{V}/\mu\text{s}$ |

Notes

- (1) For VO0600T and VO0630T
- (2) For VO0601T and VO0631T
- (3) For VO0611T and VO0661T

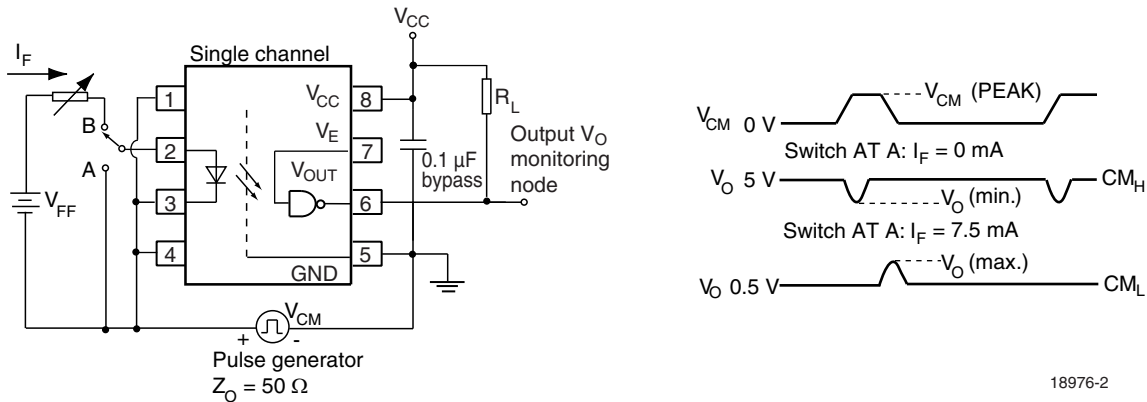


Fig. 4 - Single Channel Test Circuit for Common Mode Transient Immunity

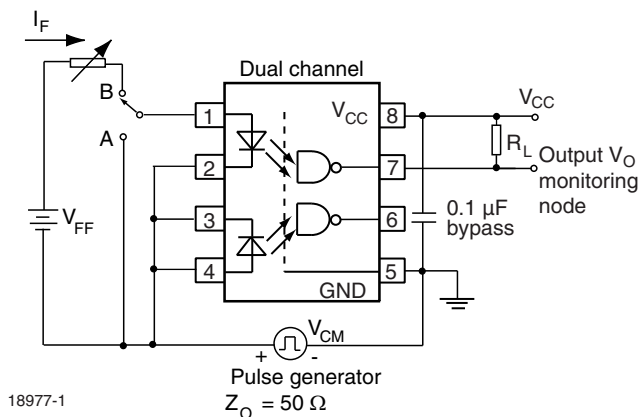


Fig. 5 - Dual Channel Test Circuit for Common Mode Transient Immunity



| SAFETY AND INSULATION RATINGS | | | | | | |
|-------------------------------|----------------------------|--------|------|-----------|------|------|
| PARAMETER | TEST CONDITION | SYMBOL | MIN. | TYP. | MAX. | UNIT |
| Climatic classification | according to IEC 68 part 1 | | | 55/100/21 | | |
| Comparative tracking index | | CTI | 175 | | 399 | |
| V_{IOTM} | | | 6000 | | | V |
| V_{IORM} | | | 560 | | | V |
| P_{SO} | | | | | 350 | mW |
| I_{SI} | | | | | 150 | mA |
| T_{SI} | | | | | 165 | °C |
| Creepage | | | 4 | | | mm |
| Clearance | | | 4 | | | mm |
| Insulation thickness | | | 0.2 | | | mm |

Note

- As per IEC 60747-5-5, 7.4.3.8.1, this optocoupler is suitable for “safe electrical insulation” only within the safety ratings. Compliance with the safety ratings shall be ensured by means of protective circuits.

TYPICAL CHARACTERISTICS ($T_{amb} = 25\text{ }^{\circ}\text{C}$, unless otherwise specified)



Fig. 6 - Forward Voltage vs. Ambient Temperature

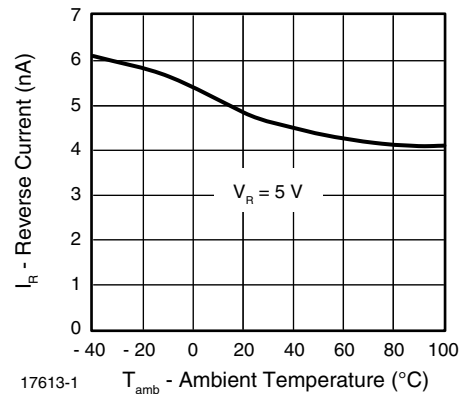


Fig. 8 - Reverse Current vs. Ambient Temperature



Fig. 7 - Forward Voltage vs. Forward Current



Fig. 9 - Low Level Supply Current vs. Ambient Temperature

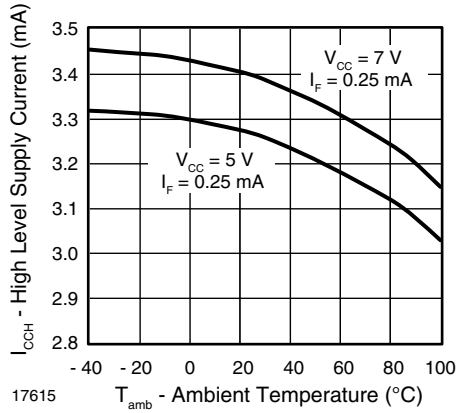


Fig. 10 - High Level Supply Current vs. Ambient Temperature

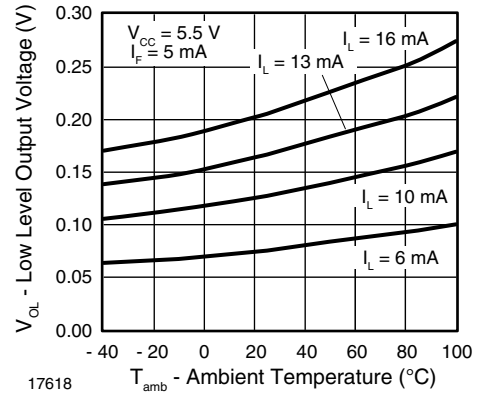


Fig. 13 - Low Level Output Voltage vs. Ambient Temperature

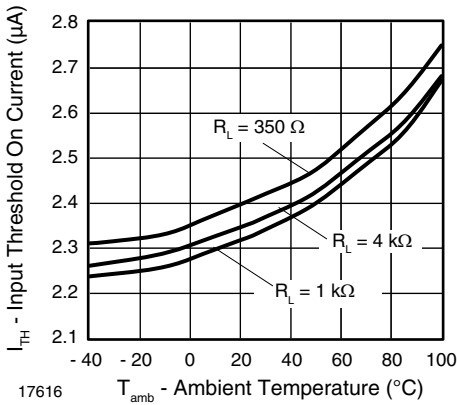


Fig. 11 - Input Threshold On Current vs. Ambient Temperature



Fig. 14 - Low Level Output Current vs. Ambient Temperature

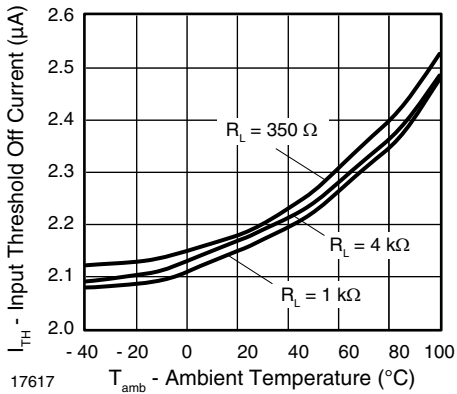


Fig. 12 - Input Threshold Off Current vs. Ambient Temperature

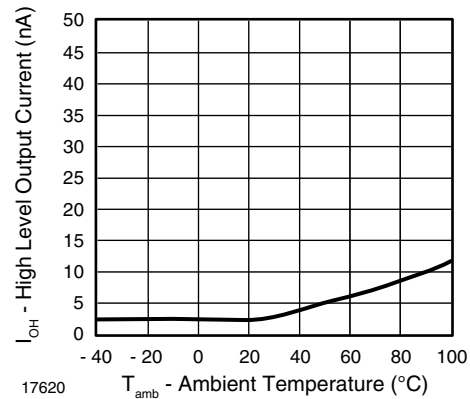


Fig. 15 - High Level Output Current vs. Ambient Temperature



Fig. 16 - Output Voltage vs. Forward Input Current

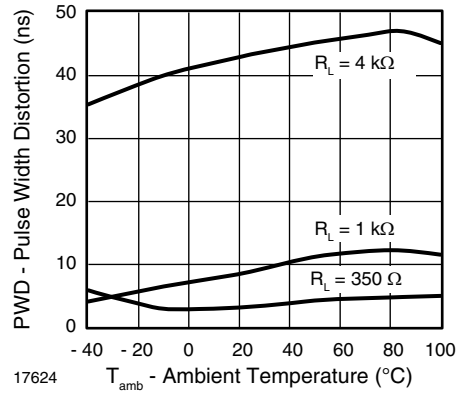


Fig. 19 - Pulse Width Distortion vs. Ambient Temperature



Fig. 17 - Propagation Delay vs. Ambient Temperature



Fig. 20 - Pulse Width Distortion vs. Forward Current



Fig. 18 - Propagation Delay vs. Forward Current



Fig. 21 - Rise and Fall Time vs. Ambient Temperature

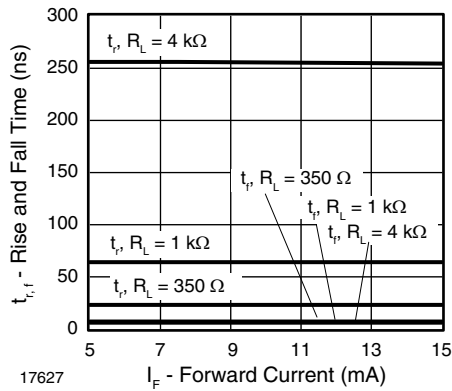


Fig. 22 - Rise and Fall Time vs. Forward Current

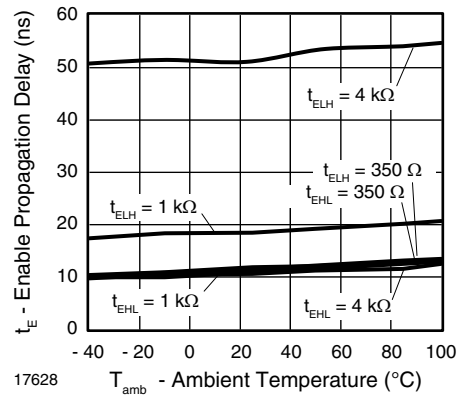
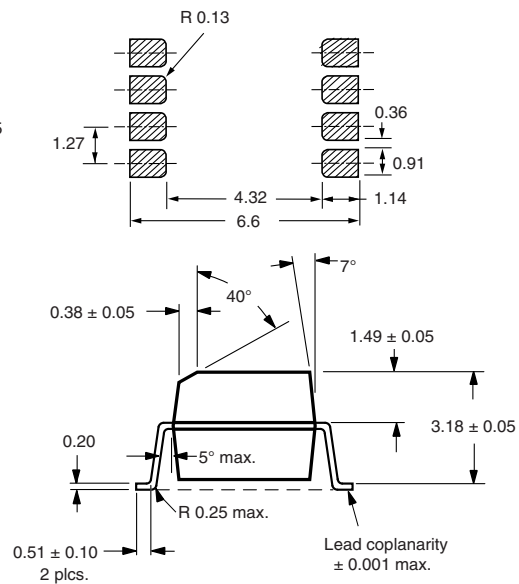


Fig. 23 - Enable Propagation Delay vs. Ambient Temperature

PACKAGE DIMENSIONS in millimeters



i178020-3



PACKAGE MARKING (example)



Notes

- The VDE Logo is only marked on option1 parts.
- Tape and reel suffix (T) is not part of the package marking.

ESD CAUTION

This is an ESD (electro static discharge) sensitive device. Electrostatic charges accumulate on the human body and test equipment and can discharge without detection. Therefore, proper ESD precautions are recommended to avoid performance degradation or loss of functionality. ESD withstand voltage of this device is up to 1500 V acc. to JESD22-A114-B.



Disclaimer

ALL PRODUCT, PRODUCT SPECIFICATIONS AND DATA ARE SUBJECT TO CHANGE WITHOUT NOTICE TO IMPROVE RELIABILITY, FUNCTION OR DESIGN OR OTHERWISE.

Vishay Intertechnology, Inc., its affiliates, agents, and employees, and all persons acting on its or their behalf (collectively, "Vishay"), disclaim any and all liability for any errors, inaccuracies or incompleteness contained in any datasheet or in any other disclosure relating to any product.

Vishay makes no warranty, representation or guarantee regarding the suitability of the products for any particular purpose or the continuing production of any product. To the maximum extent permitted by applicable law, Vishay disclaims (i) any and all liability arising out of the application or use of any product, (ii) any and all liability, including without limitation special, consequential or incidental damages, and (iii) any and all implied warranties, including warranties of fitness for particular purpose, non-infringement and merchantability.

Statements regarding the suitability of products for certain types of applications are based on Vishay's knowledge of typical requirements that are often placed on Vishay products in generic applications. Such statements are not binding statements about the suitability of products for a particular application. It is the customer's responsibility to validate that a particular product with the properties described in the product specification is suitable for use in a particular application. Parameters provided in datasheets and/or specifications may vary in different applications and performance may vary over time. All operating parameters, including typical parameters, must be validated for each customer application by the customer's technical experts. Product specifications do not expand or otherwise modify Vishay's terms and conditions of purchase, including but not limited to the warranty expressed therein.

Except as expressly indicated in writing, Vishay products are not designed for use in medical, life-saving, or life-sustaining applications or for any other application in which the failure of the Vishay product could result in personal injury or death. Customers using or selling Vishay products not expressly indicated for use in such applications do so at their own risk. Please contact authorized Vishay personnel to obtain written terms and conditions regarding products designed for such applications.

No license, express or implied, by estoppel or otherwise, to any intellectual property rights is granted by this document or by any conduct of Vishay. Product names and markings noted herein may be trademarks of their respective owners.

Material Category Policy

Vishay Intertechnology, Inc. hereby certifies that all its products that are identified as RoHS-Compliant fulfill the definitions and restrictions defined under Directive 2011/65/EU of The European Parliament and of the Council of June 8, 2011 on the restriction of the use of certain hazardous substances in electrical and electronic equipment (EEE) - recast, unless otherwise specified as non-compliant.

Please note that some Vishay documentation may still make reference to RoHS Directive 2002/95/EC. We confirm that all the products identified as being compliant to Directive 2002/95/EC conform to Directive 2011/65/EU.

Vishay Intertechnology, Inc. hereby certifies that all its products that are identified as Halogen-Free follow Halogen-Free requirements as per JEDEC JS709A standards. Please note that some Vishay documentation may still make reference to the IEC 61249-2-21 definition. We confirm that all the products identified as being compliant to IEC 61249-2-21 conform to JEDEC JS709A standards.

Данный компонент на территории Российской Федерации

Вы можете приобрести в компании MosChip.

Для оперативного оформления запроса Вам необходимо перейти по данной ссылке:

<http://moschip.ru/get-element>

Вы можете разместить у нас заказ для любого Вашего проекта, будь то серийное производство или разработка единичного прибора.

В нашем ассортименте представлены ведущие мировые производители активных и пассивных электронных компонентов.

Нашей специализацией является поставка электронной компонентной базы двойного назначения, продукции таких производителей как XILINX, Intel (ex.ALTERA), Vicor, Microchip, Texas Instruments, Analog Devices, Mini-Circuits, Amphenol, Glenair.

Сотрудничество с глобальными дистрибьюторами электронных компонентов, предоставляет возможность заказывать и получать с международных складов практически любой перечень компонентов в оптимальные для Вас сроки.

На всех этапах разработки и производства наши партнеры могут получить квалифицированную поддержку опытных инженеров.

Система менеджмента качества компании отвечает требованиям в соответствии с ГОСТ Р ИСО 9001, ГОСТ РВ 0015-002 и ЭС РД 009

Офис по работе с юридическими лицами:

105318, г.Москва, ул.Щербаковская д.3, офис 1107, 1118, ДЦ «Щербаковский»

Телефон: +7 495 668-12-70 (многоканальный)

Факс: +7 495 668-12-70 (доб.304)

E-mail: info@moschip.ru

Skype отдела продаж:

moschip.ru

moschip.ru_4

moschip.ru_6

moschip.ru_9