

RoHS **HF** **LoRho™ Surface Mount Series**



**Description**

Littelfuse LoRho™ Surface Mount PPTC (Polymer Positive Temperature Coefficient) devices provide overcurrent protection for applications where ultra low internal resistance, ultra low voltage drop and automatic resettable protection are desired. This new series allows a higher hold current device in a smaller factor and lower profile as compared to a standard PPTC. It offers ultra low internal resistance while maintaining the high level electrical characteristics and performances of standard PPTC products. All devices are UL and TUV recognized and have maximum fault current of 50A. They are available in 0402 to 2920 sizes while the hold current ranges from 100mA to 7A. Littelfuse 0402 size LoRho™ SMD PPTC is the smallest size surface mounted PPTC device available in the market.

**Agency Approvals**

| AGENCY | AGENCY FILE NUMBER |
|--------|--------------------|
| cUL US | E10480             |
|        | R50119118          |

**Features**

- Ultra low internal resistance
- Very thin profile
- Miniature size saves board space
- Allows a higher hold current device in a smaller factor and lower profile as compared to a standard PPTC
- Fast response to fault currents
- 0402 size available - the smallest PPTC in the market
- Compatible with high temperature solders
- Broadest range of Hold Current ratings (100mA to 7A)
- RoHS compliant, Lead Free and Halogen Free
- UL and TUV recognized
- 0603L150SL ideal for USB 3.0

**Applications**

- USB peripherals including new USB 3.0 / 2.0 ports
- Li-ion / Li-Polymer battery packs
- Smart phones
- Tablet and Notebook PCs
- E-readers
- LCD / LED HDTV
- Computer peripherals
- Digital cameras and video cameras
- Hard disk drives
- Game consoles

LoRho™ Series

**Electrical Characteristics**

| Part Number   | Marking | I <sub>hold</sub> (A) | I <sub>trip</sub> (A) | V <sub>max</sub> (Vdc) | I <sub>max</sub> (A) | P <sub>d</sub> typ. (W) | Maximum Time-To-Trip |             | Resistance           |                       | Agency Approvals |         |
|---------------|---------|-----------------------|-----------------------|------------------------|----------------------|-------------------------|----------------------|-------------|----------------------|-----------------------|------------------|---------|
|               |         |                       |                       |                        |                      |                         | Current (A)          | Time (Sec.) | R <sub>min</sub> (Ω) | R <sub>1max</sub> (Ω) | UL US            | TUV     |
| 0402L010SL    |         | 0.10                  | 0.30                  | 6                      | 40                   | 0.5                     | 0.50                 | 1.00        | 0.150                | 2.000                 | X                | Pending |
| 0402L020SL    |         | 0.20                  | 0.50                  | 6                      | 40                   | 0.5                     | 1.00                 | 1.00        | 0.100                | 1.250                 | X                | Pending |
| 0402L035SL    |         | 0.35                  | 0.70                  | 6                      | 50                   | 0.5                     | 8.00                 | 0.10        | 0.050                | 0.700                 | X                | Pending |
| 0402L050SL    |         | 0.50                  | 1.00                  | 6                      | 50                   | 0.5                     | 8.00                 | 0.10        | 0.040                | 0.400                 | X                | Pending |
| 0603L050SL    | K       | 0.50                  | 1.00                  | 6                      | 50                   | 0.6                     | 8.00                 | 0.10        | 0.070                | 0.350                 | X                | X       |
| 0603L075SL    | N       | 0.75                  | 1.50                  | 6                      | 50                   | 0.6                     | 8.00                 | 0.20        | 0.005                | 0.250                 | X                | X       |
| 0603L100SL    | S       | 1.00                  | 1.80                  | 6                      | 50                   | 0.6                     | 8.00                 | 0.30        | 0.040                | 0.120                 | X                | X       |
| 0603L150SL    | T       | 1.50                  | 3.00                  | 6                      | 50                   | 0.6                     | 8.00                 | 0.50        | 0.007                | 0.080                 | X                | X       |
| 0603L175SL    | V       | 1.75                  | 3.50                  | 6                      | 50                   | 0.6                     | 8.00                 | 0.60        | 0.005                | 0.060                 | X                | X       |
| 0805L075SL    | -G      | 0.75                  | 1.50                  | 6                      | 50                   | 0.6                     | 8.00                 | 0.20        | 0.040                | 0.160                 | X                | X       |
| 0805L110SL    | -H      | 1.10                  | 1.80                  | 6                      | 50                   | 0.6                     | 8.00                 | 0.30        | 0.030                | 0.130                 | X                | X       |
| 0805L150SL    | -K      | 1.50                  | 3.00                  | 6                      | 50                   | 0.6                     | 8.00                 | 0.50        | 0.015                | 0.065                 | X                | X       |
| 0805L175SL    | -V      | 1.75                  | 3.50                  | 6                      | 50                   | 0.6                     | 8.00                 | 0.60        | 0.005                | 0.055                 | X                | X       |
| 0805L200SLTH  | -L      | 2.00                  | 4.00                  | 6                      | 50                   | 0.6                     | 8.00                 | 1.00        | 0.005                | 0.045                 | X                | X       |
| 0805L260SLTH  | -S      | 2.60                  | 5.00                  | 6                      | 50                   | 0.6                     | 8.00                 | 4.00        | 0.003                | 0.035                 | X                | X       |
| 0805L300SL    | -N      | 3.00                  | 6.00                  | 6                      | 50                   | 0.6                     | 8.00                 | 5.00        | 0.003                | 0.030                 | X                | X       |
| 1206L075SL    | -G      | 0.75                  | 1.50                  | 6                      | 50                   | 0.8                     | 8.00                 | 0.30        | 0.017                | 0.180                 | X                | X       |
| 1206L110SL    | -H      | 1.10                  | 2.20                  | 6                      | 50                   | 0.8                     | 8.00                 | 0.30        | 0.015                | 0.100                 | X                | X       |
| 1206L150SL    | -K      | 1.50                  | 3.90                  | 6                      | 50                   | 0.8                     | 8.00                 | 0.30        | 0.010                | 0.065                 | X                | X       |
| 1206L110/12SL | -H1     | 1.10                  | 2.20                  | 12                     | 50                   | 0.8                     | 8.00                 | 0.30        | 0.015                | 0.130                 | X                | X       |
| 1206L150/12SL | -K1     | 1.50                  | 3.00                  | 12                     | 50                   | 0.8                     | 8.00                 | 0.30        | 0.010                | 0.080                 | X                | X       |
| 1206L175SL    | -F      | 1.75                  | 3.50                  | 6                      | 50                   | 0.8                     | 8.00                 | 0.40        | 0.005                | 0.030                 | X                | X       |
| 1206L200SL    | -L      | 2.00                  | 4.00                  | 6                      | 50                   | 0.8                     | 8.00                 | 0.50        | 0.005                | 0.025                 | X                | X       |
| 1206L260SLTH  | -S      | 2.60                  | 5.00                  | 6                      | 50                   | 0.8                     | 8.00                 | 4.00        | 0.003                | 0.026                 | X                | X       |
| 1206L300SLTH  | -N      | 3.00                  | 6.00                  | 6                      | 50                   | 0.8                     | 8.00                 | 4.00        | 0.003                | 0.020                 | X                | X       |
| 1206L350SLTH  | -T      | 3.50                  | 7.00                  | 6                      | 50                   | 0.8                     | 8.00                 | 5.00        | 0.003                | 0.018                 | X                | X       |
| 1206L380SLTH* | -V      | 2.82*                 | 8.00                  | 6                      | 50                   | 0.8                     | 8.00                 | 5.00        | 0.002                | 0.014                 | X                | X       |
| 1206L400SL    | -Y      | 4.00                  | 8.00                  | 6                      | 50                   | 0.8                     | 20.00                | 2.00        | 0.001                | 0.014                 | X                | X       |
| 1206L450SL    | -Z      | 4.50                  | 9.00                  | 6                      | 50                   | 0.8                     | 22.50                | 2.00        | 0.001                | 0.014                 | X                | X       |
| 1210L175SL    | -J      | 1.75                  | 3.50                  | 6                      | 50                   | 0.8                     | 8.00                 | 2.50        | 0.006                | 0.040                 | X                | X       |
| 1210L200SL    | -L      | 2.00                  | 4.00                  | 6                      | 50                   | 0.8                     | 8.00                 | 3.00        | 0.005                | 0.024                 | X                | X       |
| 1210L260SL    | -S      | 2.60                  | 5.00                  | 6                      | 50                   | 0.8                     | 8.00                 | 4.00        | 0.003                | 0.020                 | X                | X       |
| 1210L300SL    | -N      | 3.00                  | 6.00                  | 6                      | 50                   | 0.8                     | 15.00                | 2.00        | 0.003                | 0.020                 | X                | X       |
| 1210L350SL    | -T      | 3.50                  | 7.00                  | 6                      | 50                   | 0.8                     | 17.50                | 2.00        | 0.003                | 0.018                 | X                | X       |
| 1210L380SL    | -X      | 3.80                  | 8.00                  | 6                      | 50                   | 0.8                     | 8.00                 | 5.00        | 0.002                | 0.016                 | X                | X       |
| 1210L400SL    | -V      | 4.00                  | 8.00                  | 6                      | 50                   | 0.8                     | 8.00                 | 5.00        | 0.001                | 0.014                 | X                | X       |
| 1210L450SL    | -Y      | 4.50                  | 9.00                  | 6                      | 50                   | 1.0                     | 22.50                | 2.00        | 0.001                | 0.014                 | X                | X       |
| 1812L190SL    | LF-19   | 1.90                  | 4.90                  | 6                      | 50                   | 1.0                     | 9.50                 | 4.50        | 0.003                | 0.025                 | X                | X       |
| 1812L260SL    | LF-26   | 2.60                  | 6.00                  | 6                      | 50                   | 1.0                     | 13.00                | 2.00        | 0.003                | 0.024                 | X                | X       |
| 1812L270SL    | LF-27   | 2.70                  | 6.20                  | 6                      | 50                   | 1.0                     | 13.50                | 2.00        | 0.003                | 0.022                 | X                | X       |
| 1812L300SL    | LF-30   | 3.00                  | 7.00                  | 6                      | 50                   | 1.0                     | 8.00                 | 5.00        | 0.003                | 0.021                 | X                | X       |
| 1812L350SL**  | LF-35   | 3.50                  | 8.10                  | 6                      | 50                   | 1.0                     | 8.00                 | 5.00        | 0.003                | 0.020**               | X                | X       |
| 1812L370SL    | LF-37   | 3.70                  | 9.10                  | 6                      | 50                   | 1.0                     | 18.50                | 2.00        | 0.003                | 0.018                 | X                | X       |
| 2920L700SL*** | LF700   | 7.00                  | 14.00                 | 6                      | 50                   | 2.2                     | 35.00                | 0.20        | 0.001                | 0.007                 | X                | X       |

**Notes:**

0805L150SL and 1206L150SL are ideal for overcurrent protection in VBUS of USB 3.0 / USB 2.0 ports.

\* 1206L380SLTH has I<sub>hold</sub> 2.82A for at least 15min @ 55°C. It is ideal for overcurrent protection in Li-ion / Li-Polymer battery packs of smartphones.

\*\* 1812L350SL Typical Time-To-Trip is 50A at 0.013-0.020 seconds. R1min=0.015ohm (resistance range 0.015-0.025ohm).

\*\*\* 2920L700SL is ideal for overcurrent protection in Li-ion / Li-Polymer battery packs of tablet PC.

I<sub>hold</sub> = Hold current: maximum current device will pass without tripping in 20°C still air.

I<sub>trip</sub> = Trip current: minimum current at which the device will trip in 20°C still air.

V<sub>max</sub> = Maximum voltage device can withstand without damage at rated current (I<sub>max</sub>)

I<sub>max</sub> = Maximum fault current device can withstand without damage at rated voltage (V<sub>max</sub>)

P<sub>d</sub> = Power dissipated from device when in the tripped state at 20°C still air.

R<sub>min</sub> = Minimum resistance of device in initial (un-soldered) state.

R<sub>1max</sub> = Maximum resistance of device at 20°C measured one hour after tripping or reflow

soldering of 260°C for 20 sec.

**Caution:** Operation beyond the specified rating may result in damage and possible arcing and flame.

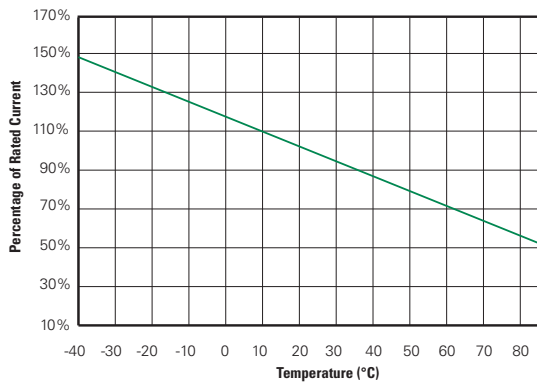
**Temperature Rerating**

| Ambient Operation Temperature |                  |       |      |      |      |      |      |      |
|-------------------------------|------------------|-------|------|------|------|------|------|------|
|                               | -40°C            | -20°C | 0°C  | 20°C | 40°C | 60°C | 70°C | 85°C |
| Part Number                   | Hold Current (A) |       |      |      |      |      |      |      |
| 0402L010SL                    | 0.15             | 0.13  | 0.12 | 0.10 | 0.09 | 0.07 | 0.06 | 0.05 |
| 0402L020SL                    | 0.29             | 0.27  | 0.24 | 0.20 | 0.17 | 0.14 | 0.11 | 0.10 |
| 0402L035SL                    | 0.51             | 0.47  | 0.41 | 0.35 | 0.30 | 0.25 | 0.20 | 0.18 |
| 0402L050SL                    | 0.74             | 0.67  | 0.59 | 0.50 | 0.43 | 0.36 | 0.29 | 0.26 |
| 0603L050SL                    | 0.82             | 0.73  | 0.63 | 0.50 | 0.41 | 0.39 | 0.24 | 0.14 |
| 0603L075SL                    | 1.23             | 1.08  | 0.94 | 0.75 | 0.61 | 0.44 | 0.34 | 0.23 |
| 0603L100SL                    | 1.55             | 1.37  | 1.19 | 1.00 | 0.83 | 0.62 | 0.50 | 0.31 |
| 0603L150SL                    | 2.31             | 2.06  | 1.79 | 1.50 | 1.22 | 0.93 | 0.75 | 0.47 |
| 0603L175SL                    | 2.57             | 2.33  | 2.07 | 1.75 | 1.49 | 1.24 | 1.00 | 0.91 |
| 0805L075SL                    | 1.24             | 1.07  | 0.94 | 0.75 | 0.62 | 0.47 | 0.37 | 0.23 |
| 0805L110SL                    | 1.93             | 1.65  | 1.38 | 1.10 | 0.83 | 0.55 | 0.41 | 0.21 |
| 0805L150SL                    | 2.37             | 2.07  | 1.80 | 1.50 | 1.25 | 0.93 | 0.74 | 0.50 |
| 0805L175SL                    | 2.57             | 2.33  | 2.07 | 1.75 | 1.49 | 1.24 | 1.00 | 0.91 |
| 0805L200SLTH                  | 2.94             | 2.66  | 2.36 | 2.00 | 1.70 | 1.42 | 1.14 | 1.04 |
| 0805L260SLTH                  | 3.82             | 3.46  | 3.07 | 2.60 | 2.21 | 1.85 | 1.48 | 1.35 |
| 0805L300SL                    | 4.41             | 3.99  | 3.54 | 3.00 | 2.55 | 2.13 | 1.71 | 1.56 |
| 1206L075SL                    | 1.10             | 1.00  | 0.89 | 0.75 | 0.64 | 0.53 | 0.43 | 0.39 |
| 1206L110SL                    | 2.00             | 1.70  | 1.40 | 1.10 | 0.83 | 0.56 | 0.44 | 0.36 |
| 1206L150SL                    | 2.67             | 2.32  | 1.95 | 1.50 | 1.15 | 0.78 | 0.64 | 0.52 |
| 1206L110/12SL                 | 1.62             | 1.46  | 1.30 | 1.10 | 0.94 | 0.78 | 0.63 | 0.57 |
| 1206L150/12SL                 | 2.21             | 2.00  | 1.77 | 1.50 | 1.28 | 1.07 | 0.86 | 0.78 |
| 1206L175SL                    | 2.57             | 2.33  | 2.07 | 1.75 | 1.49 | 1.24 | 1.00 | 0.91 |
| 1206L200SL                    | 3.30             | 2.90  | 2.50 | 2.00 | 1.62 | 1.16 | 0.90 | 0.52 |
| 1206L260SLTH                  | 3.71             | 3.42  | 3.01 | 2.60 | 2.08 | 1.49 | 1.30 | 0.89 |
| 1206L300SLTH                  | 4.41             | 3.99  | 3.54 | 3.00 | 2.55 | 2.13 | 1.71 | 1.56 |
| 1206L350SLTH                  | 5.15             | 4.66  | 4.13 | 3.50 | 2.98 | 2.49 | 2.00 | 1.82 |
| 1206L380SLTH                  | 5.59             | 5.05  | 4.48 | 3.80 | 3.23 | 2.70 | 2.17 | 1.98 |
| 1206L400SL                    | 5.71             | 5.26  | 4.63 | 4.00 | 3.20 | 2.29 | 2.00 | 1.37 |
| 1206L450SL                    | 6.62             | 5.99  | 5.31 | 4.50 | 3.83 | 3.20 | 2.57 | 2.34 |
| 1210L175SL                    | 2.57             | 2.33  | 2.07 | 1.75 | 1.49 | 1.24 | 1.00 | 0.91 |
| 1210L200SL                    | 3.26             | 2.87  | 2.50 | 2.00 | 1.70 | 1.29 | 1.09 | 0.78 |
| 1210L260SL                    | 3.82             | 3.46  | 3.07 | 2.60 | 2.21 | 1.85 | 1.48 | 1.35 |
| 1210L300SL                    | 4.41             | 3.99  | 3.54 | 3.00 | 2.55 | 2.13 | 1.71 | 1.56 |
| 1210L350SL                    | 5.00             | 4.60  | 4.05 | 3.50 | 2.80 | 2.00 | 1.60 | 1.00 |
| 1210L380SL                    | 6.00             | 5.28  | 4.52 | 3.80 | 3.15 | 2.39 | 2.09 | 1.60 |
| 1210L400SL                    | 5.71             | 5.26  | 4.63 | 4.00 | 3.20 | 2.29 | 2.00 | 1.37 |
| 1210L450SL                    | 6.62             | 5.99  | 5.31 | 4.50 | 3.83 | 3.20 | 2.57 | 2.34 |
| 1812L190SL                    | 3.00             | 2.58  | 2.22 | 1.90 | 1.49 | 1.14 | 0.93 | 0.61 |
| 1812L260SL                    | 3.82             | 3.46  | 3.07 | 2.60 | 2.21 | 1.85 | 1.48 | 1.35 |
| 1812L270SL                    | 3.86             | 3.55  | 3.12 | 2.70 | 2.16 | 1.54 | 1.35 | 0.93 |
| 1812L300SL                    | 4.41             | 3.99  | 3.54 | 3.00 | 2.55 | 2.13 | 1.71 | 1.56 |
| 1812L350SL                    | 5.43             | 4.73  | 4.13 | 3.50 | 2.80 | 2.10 | 1.75 | 1.12 |
| 1812L370SL                    | 5.44             | 4.92  | 4.37 | 3.70 | 3.15 | 2.63 | 2.11 | 1.92 |
| 2920L700SL                    | 10.00            | 9.20  | 8.10 | 7.00 | 5.60 | 4.00 | 3.50 | 2.40 |

**Notes:** The temperature rerating data is for reference only. Please contact Littelfuse technical support for detail temperature rerating information.

**LoRho™ Series**

### Temperature Derating Curve



### Physical Specifications

|                           |  |
|---------------------------|--|
| <b>Terminal Material</b>  | Solder-Plated Copper<br>(Solder Material: Matte Tin (Sn))        |
| <b>Lead Solderability</b> | Meets EIA Specification RS186-9E,<br>ANSI/J-STD-002, Category 3. |

### Environmental Specifications

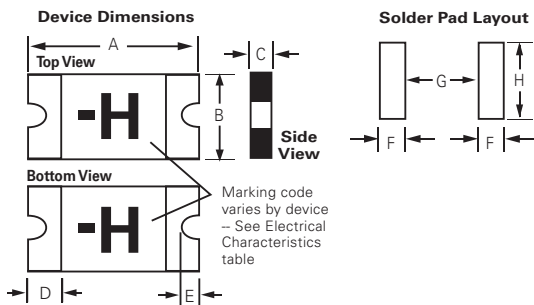
|  |  |
|--|--|
| <b>Operating Temperature</b>                               | -40°C to +85°C   |
| <b>Maximum Device Surface Temperature in Tripped State</b> | 125°C  |
| <b>Passive Aging</b>                                       | +85°C, 1000 hours<br>-/+10% typical resistance change                              |
| <b>Humidity Aging</b>                                      | +85°C, 85% R.H., 100 hours<br>-/+15% typical resistance change                     |
| <b>Thermal Shock</b>                                       | MIL-STD-202, Method 107G<br>+85°C/-40°C 20 times<br>-30% typical resistance change |
| <b>Solvent Resistance</b>                                  | MIL-STD-202, Method 215<br>No change   |
| <b>Vibration</b>   | MIL-STD-883C, Method 2007.1,<br>Condition A No change                              |
| <b>Moisture Sensitivity Level</b>                          | Level 1, J-STD-020C  |

### Soldering Parameters

|  |                                  |                  |
|--|----------------------------------|------------------|
| Profile Feature                                      | Pb-Free Assembly                 |                  |
| Average Ramp-Up Rate ( $T_{S(max)}$ to $T_p$ )       | 3°C/second max                   |                  |
| Pre Heat:  | Temperature Min ( $T_{s(min)}$ ) | 150°C            |
|  | Temperature Max ( $T_{s(max)}$ ) | 200°C            |
|  | Time (Min to Max) ( $t_s$ )      | 60 – 180 secs    |
| Time Maintained Above:                               | Temperature ( $T_L$ )            | 217°C            |
|  | Temperature ( $t_L$ )            | 60 – 150 seconds |
| Peak / Classification Temperature ( $T_p$ )          | 260 <sup>+0/-5</sup> °C          |                  |
| Time within 5°C of actual peak Temperature ( $t_p$ ) | 20 – 40 seconds                  |                  |
| Ramp-down Rate                                       | 6°C/second max                   |                  |
| Time 25°C to peak Temperature ( $T_p$ )              | 8 minutes Max.                   |                  |



- All temperature refer to topside of the package, measured on the package body surface
- If reflow temperature exceeds the recommended profile, devices may not meet the performance requirements
- Recommended reflow methods: IR, vapor phase oven, hot air oven,  $N_2$  environment for lead
- Recommended maximum paste thickness is 0.25mm (0.010 inch)
- Devices can be cleaned using standard industry methods and solvents
- Devices can be reworked using the standard industry practices

**Dimensions**


| Part Number   | Device Dimension |      |      |      |      |      |      |      |      |      |      |      |       |      |      |      |       |      |      |      | Solder Pad |      |      |      |      |      |
|---------------|------------------|------|------|------|------|------|------|------|------|------|------|------|-------|------|------|------|-------|------|------|------|------------|------|------|------|------|------|
|               | A                |      |      |      | B    |      |      |      | C    |      |      |      | D     |      |      |      | E     |      |      |      | F          |      | G    |      | H    |      |
|               | inch             |      | mm   |      | inch |      | mm   |      | inch |      | mm   |      | inch  |      | mm   |      | inch  |      | mm   |      | inch       | mm   | inch | mm   | inch | mm   |
|               | Min              | Max  | Min  | Max  | Min  | Max  | Min  | Max  | Min  | Max  | Min  | Max  | Min   | Max  | Min  | Max  | Min   | Max  | Min  | Max  | Min        | Max  | Min  | Max  | Min  | Max  |
| 0402L010SL    | 0.03             | 0.05 | 0.85 | 1.15 | 0.01 | 0.03 | 0.35 | 0.65 | 0.01 | 0.02 | 0.20 | 0.60 | 0.004 | 0.02 | 0.10 | 0.45 | -     | 0.02 | -    | 0.40 | 0.02       | 0.60 | 0.02 | 0.40 | 0.03 | 0.70 |
| 0402L020SL    | 0.03             | 0.05 | 0.85 | 1.15 | 0.01 | 0.03 | 0.35 | 0.65 | 0.01 | 0.02 | 0.20 | 0.60 | 0.004 | 0.02 | 0.10 | 0.45 | -     | 0.02 | -    | 0.40 | 0.02       | 0.60 | 0.02 | 0.40 | 0.03 | 0.70 |
| 0402L035SL    | 0.03             | 0.05 | 0.85 | 1.15 | 0.01 | 0.03 | 0.35 | 0.65 | 0.01 | 0.02 | 0.20 | 0.60 | 0.004 | 0.02 | 0.10 | 0.45 | -     | 0.02 | -    | 0.40 | 0.02       | 0.60 | 0.02 | 0.40 | 0.03 | 0.70 |
| 0402L050SL    | 0.03             | 0.05 | 0.85 | 1.15 | 0.01 | 0.03 | 0.35 | 0.65 | 0.01 | 0.02 | 0.20 | 0.60 | 0.004 | 0.02 | 0.10 | 0.45 | -     | 0.02 | -    | 0.40 | 0.02       | 0.60 | 0.02 | 0.40 | 0.03 | 0.70 |
| 0603L050SL    | 0.06             | 0.07 | 1.40 | 1.80 | 0.02 | 0.04 | 0.60 | 1.00 | 0.02 | 0.03 | 0.40 | 0.75 | 0.01  | 0.02 | 0.15 | 0.50 | -     | 0.02 | -    | 0.40 | 0.04       | 1.00 | 0.03 | 0.80 | 0.04 | 1.00 |
| 0603L075SL    | 0.06             | 0.07 | 1.40 | 1.80 | 0.02 | 0.04 | 0.60 | 1.00 | 0.02 | 0.03 | 0.40 | 0.75 | 0.01  | 0.02 | 0.15 | 0.50 | -     | 0.02 | -    | 0.40 | 0.04       | 1.00 | 0.03 | 0.80 | 0.04 | 1.00 |
| 0603L100SL    | 0.06             | 0.07 | 1.40 | 1.80 | 0.02 | 0.04 | 0.60 | 1.00 | 0.02 | 0.03 | 0.40 | 0.75 | 0.01  | 0.02 | 0.15 | 0.50 | -     | 0.02 | -    | 0.40 | 0.04       | 1.00 | 0.03 | 0.80 | 0.04 | 1.00 |
| 0603L150SL    | 0.06             | 0.07 | 1.40 | 1.80 | 0.02 | 0.04 | 0.60 | 1.00 | 0.02 | 0.04 | 0.40 | 1.00 | 0.01  | 0.02 | 0.15 | 0.50 | -     | 0.02 | -    | 0.40 | 0.04       | 1.00 | 0.03 | 0.80 | 0.04 | 1.00 |
| 0603L175SL    | 0.06             | 0.07 | 1.40 | 1.80 | 0.02 | 0.04 | 0.60 | 1.00 | 0.02 | 0.04 | 0.40 | 1.00 | 0.01  | 0.02 | 0.15 | 0.50 | -     | 0.02 | -    | 0.40 | 0.04       | 1.00 | 0.03 | 0.80 | 0.04 | 1.00 |
| 0805L075SL    | 0.08             | 0.09 | 2.00 | 2.20 | 0.05 | 0.06 | 1.20 | 1.50 | 0.02 | 0.03 | 0.40 | 0.75 | 0.01  | 0.02 | 0.20 | 0.55 | 0.002 | 0.02 | 0.05 | 0.45 | 0.04       | 1.00 | 0.05 | 1.20 | 0.06 | 1.50 |
| 0805L110SL    | 0.08             | 0.09 | 2.00 | 2.20 | 0.05 | 0.06 | 1.20 | 1.50 | 0.02 | 0.03 | 0.40 | 0.75 | 0.01  | 0.02 | 0.20 | 0.55 | 0.002 | 0.02 | 0.05 | 0.45 | 0.04       | 1.00 | 0.05 | 1.20 | 0.06 | 1.50 |
| 0805L150SL    | 0.08             | 0.09 | 2.00 | 2.20 | 0.05 | 0.06 | 1.20 | 1.50 | 0.02 | 0.03 | 0.40 | 0.75 | 0.01  | 0.02 | 0.20 | 0.55 | 0.002 | 0.02 | 0.05 | 0.45 | 0.04       | 1.00 | 0.05 | 1.20 | 0.06 | 1.50 |
| 0805L175SL    | 0.08             | 0.09 | 2.00 | 2.20 | 0.05 | 0.06 | 1.20 | 1.50 | 0.02 | 0.02 | 0.40 | 0.60 | 0.01  | 0.02 | 0.20 | 0.55 | 0.002 | 0.02 | 0.05 | 0.45 | 0.04       | 1.00 | 0.05 | 1.20 | 0.06 | 1.50 |
| 0805L200SLTH  | 0.08             | 0.09 | 2.00 | 2.20 | 0.05 | 0.06 | 1.20 | 1.50 | 0.02 | 0.03 | 0.40 | 0.75 | 0.01  | 0.02 | 0.20 | 0.55 | 0.002 | 0.02 | 0.05 | 0.45 | 0.04       | 1.00 | 0.05 | 1.20 | 0.06 | 1.50 |
| 0805L260SLTH  | 0.08             | 0.09 | 2.00 | 2.20 | 0.05 | 0.06 | 1.20 | 1.50 | 0.02 | 0.03 | 0.40 | 0.75 | 0.01  | 0.02 | 0.20 | 0.55 | 0.002 | 0.02 | 0.05 | 0.45 | 0.04       | 1.00 | 0.05 | 1.20 | 0.06 | 1.50 |
| 0805L300SL    | 0.08             | 0.09 | 2.00 | 2.20 | 0.05 | 0.06 | 1.20 | 1.50 | 0.02 | 0.06 | 0.60 | 1.40 | 0.01  | 0.02 | 0.20 | 0.55 | 0.002 | 0.02 | 0.05 | 0.45 | 0.04       | 1.00 | 0.05 | 1.20 | 0.06 | 1.50 |
| 1206L075SL    | 0.12             | 0.13 | 3.00 | 3.40 | 0.06 | 0.07 | 1.50 | 1.80 | 0.02 | 0.03 | 0.40 | 0.70 | 0.01  | 0.03 | 0.25 | 0.75 | 0.002 | 0.02 | 0.05 | 0.45 | 0.04       | 1.00 | 0.07 | 1.80 | 0.07 | 1.80 |
| 1206L110SL    | 0.12             | 0.13 | 3.00 | 3.40 | 0.06 | 0.07 | 1.50 | 1.80 | 0.02 | 0.03 | 0.40 | 0.75 | 0.01  | 0.03 | 0.25 | 0.75 | 0.002 | 0.02 | 0.05 | 0.45 | 0.04       | 1.00 | 0.07 | 1.80 | 0.07 | 1.80 |
| 1206L150SL    | 0.12             | 0.13 | 3.00 | 3.40 | 0.06 | 0.07 | 1.50 | 1.80 | 0.02 | 0.03 | 0.40 | 0.70 | 0.01  | 0.03 | 0.25 | 0.75 | 0.002 | 0.02 | 0.05 | 0.45 | 0.04       | 1.00 | 0.07 | 1.80 | 0.07 | 1.80 |
| 1206L110/12SL | 0.12             | 0.13 | 3.00 | 3.40 | 0.06 | 0.07 | 1.50 | 1.80 | 0.02 | 0.03 | 0.50 | 0.85 | 0.01  | 0.03 | 0.25 | 0.75 | 0.002 | 0.02 | 0.05 | 0.45 | 0.04       | 1.00 | 0.07 | 1.80 | 0.07 | 1.80 |
| 1206L150/12SL | 0.12             | 0.13 | 3.00 | 3.40 | 0.06 | 0.07 | 1.50 | 1.80 | 0.02 | 0.03 | 0.50 | 0.85 | 0.01  | 0.03 | 0.25 | 0.75 | 0.002 | 0.02 | 0.05 | 0.45 | 0.04       | 1.00 | 0.07 | 1.80 | 0.07 | 1.80 |
| 1206L175SL    | 0.12             | 0.13 | 3.00 | 3.40 | 0.06 | 0.07 | 1.50 | 1.80 | 0.02 | 0.02 | 0.40 | 0.60 | 0.01  | 0.03 | 0.25 | 0.75 | 0.002 | 0.02 | 0.05 | 0.45 | 0.04       | 1.00 | 0.07 | 1.80 | 0.07 | 1.80 |
| 1206L200SL    | 0.12             | 0.13 | 3.00 | 3.40 | 0.06 | 0.07 | 1.50 | 1.80 | 0.02 | 0.02 | 0.40 | 0.60 | 0.01  | 0.03 | 0.25 | 0.75 | 0.002 | 0.02 | 0.05 | 0.45 | 0.04       | 1.00 | 0.07 | 1.80 | 0.07 | 1.80 |
| 1206L260SLTH  | 0.12             | 0.13 | 3.00 | 3.40 | 0.06 | 0.07 | 1.50 | 1.80 | 0.02 | 0.03 | 0.40 | 0.70 | 0.01  | 0.03 | 0.25 | 0.75 | 0.002 | 0.02 | 0.05 | 0.45 | 0.04       | 1.00 | 0.07 | 1.80 | 0.07 | 1.80 |
| 1206L300SLTH  | 0.12             | 0.13 | 3.00 | 3.40 | 0.06 | 0.07 | 1.50 | 1.80 | 0.02 | 0.03 | 0.40 | 0.80 | 0.01  | 0.03 | 0.25 | 0.75 | 0.002 | 0.02 | 0.05 | 0.45 | 0.04       | 1.00 | 0.07 | 1.80 | 0.07 | 1.80 |
| 1206L350SLTH  | 0.12             | 0.13 | 3.00 | 3.40 | 0.06 | 0.07 | 1.50 | 1.80 | 0.02 | 0.03 | 0.40 | 0.75 | 0.01  | 0.03 | 0.25 | 0.75 | 0.002 | 0.02 | 0.05 | 0.45 | 0.04       | 1.00 | 0.07 | 1.80 | 0.07 | 1.80 |
| 1206L380SLTH  | 0.12             | 0.13 | 3.00 | 3.40 | 0.06 | 0.07 | 1.50 | 1.80 | 0.02 | 0.03 | 0.40 | 0.70 | 0.01  | 0.03 | 0.25 | 0.75 | 0.002 | 0.02 | 0.05 | 0.45 | 0.04       | 1.00 | 0.07 | 1.80 | 0.07 | 1.80 |
| 1206L400SL    | 0.12             | 0.13 | 3.00 | 3.40 | 0.06 | 0.07 | 1.50 | 1.80 | 0.02 | 0.06 | 0.60 | 1.40 | 0.01  | 0.03 | 0.25 | 0.75 | 0.002 | 0.02 | 0.05 | 0.45 | 0.04       | 1.00 | 0.07 | 1.80 | 0.07 | 1.80 |
| 1206L450SL    | 0.12             | 0.13 | 3.00 | 3.40 | 0.06 | 0.07 | 1.50 | 1.80 | 0.02 | 0.06 | 0.60 | 1.40 | 0.01  | 0.03 | 0.25 | 0.75 | 0.002 | 0.02 | 0.05 | 0.45 | 0.04       | 1.00 | 0.07 | 1.80 | 0.07 | 1.80 |
| 1210L175SL    | 0.12             | 0.14 | 3.00 | 3.43 | 0.09 | 0.11 | 2.35 | 2.80 | 0.02 | 0.03 | 0.40 | 0.70 | 0.01  | 0.03 | 0.25 | 0.75 | 0.004 | 0.02 | 0.10 | 0.50 | 0.04       | 1.00 | 0.08 | 2.00 | 0.10 | 2.50 |
| 1210L200SL    | 0.12             | 0.14 | 3.00 | 3.43 | 0.09 | 0.11 | 2.35 | 2.80 | 0.02 | 0.03 | 0.40 | 0.70 | 0.01  | 0.03 | 0.25 | 0.75 | 0.004 | 0.02 | 0.10 | 0.50 | 0.04       | 1.00 | 0.08 | 2.00 | 0.10 | 2.50 |
| 1210L260SL    | 0.12             | 0.14 | 3.00 | 3.43 | 0.09 | 0.11 | 2.35 | 2.80 | 0.02 | 0.03 | 0.40 | 0.70 | 0.01  | 0.03 | 0.25 | 0.75 | 0.004 | 0.02 | 0.10 | 0.50 | 0.04       | 1.00 | 0.08 | 2.00 | 0.10 | 2.50 |
| 1210L300SL    | 0.12             | 0.14 | 3.00 | 3.43 | 0.09 | 0.11 | 2.35 | 2.80 | 0.02 | 0.03 | 0.40 | 0.70 | 0.01  | 0.03 | 0.25 | 0.75 | 0.004 | 0.02 | 0.10 | 0.50 | 0.04       | 1.00 | 0.08 | 2.00 | 0.10 | 2.50 |
| 1210L350SL    | 0.12             | 0.14 | 3.00 | 3.43 | 0.09 | 0.11 | 2.35 | 2.80 | 0.02 | 0.04 | 0.60 | 1.00 | 0.01  | 0.03 | 0.25 | 0.75 | 0.00  | 0.02 | 0.10 | 0.50 | 0.04       | 1.00 | 0.08 | 2.00 | 0.10 | 2.50 |
| 1210L380SL    | 0.12             | 0.14 | 3.00 | 3.43 | 0.09 | 0.11 | 2.35 | 2.80 | 0.02 | 0.03 | 0.40 | 0.65 | 0.01  | 0.03 | 0.25 | 0.75 | 0.00  | 0.02 | 0.10 | 0.50 | 0.04       | 1.00 | 0.08 | 2.00 | 0.10 | 2.50 |
| 1210L400SL    | 0.12             | 0.14 | 3.00 | 3.43 | 0.09 | 0.11 | 2.35 | 2.80 | 0.02 | 0.04 | 0.60 | 1.00 | 0.01  | 0.03 | 0.25 | 0.75 | 0.00  | 0.02 | 0.10 | 0.50 | 0.04       | 1.00 | 0.08 | 2.00 | 0.10 | 2.50 |
| 1210L450SL    | 0.12             | 0.14 | 3.00 | 3.43 | 0.09 | 0.11 | 2.35 | 2.80 | 0.04 | 0.06 | 1.00 | 1.40 | 0.01  | 0.03 | 0.25 | 0.75 | 0.00  | 0.02 | 0.10 | 0.50 | 0.04       | 1.00 | 0.08 | 2.00 | 0.10 | 2.50 |
| 1812L190SL    | 0.17             | 0.19 | 4.37 | 4.73 | 0.12 | 0.13 | 3.07 | 3.41 | 0.02 | 0.03 | 0.40 | 0.70 | 0.01  | 0.05 | 0.30 | 1.20 | 0.01  | 0.03 | 0.15 | 0.65 | 0.07       | 1.78 | 0.14 | 3.45 | 0.12 | 3.15 |
| 1812L260SL    | 0.17             | 0.19 | 4.37 | 4.73 | 0.12 | 0.13 | 3.07 | 3.41 | 0.02 | 0.03 | 0.40 | 0.70 | 0.01  | 0.05 | 0.30 | 1.20 | 0.01  | 0.03 | 0.15 | 0.65 | 0.07       | 1.78 | 0.14 | 3.45 | 0.12 | 3.15 |
| 1812L270SL    | 0.17             | 0.19 | 4.37 | 4.73 | 0.12 | 0.13 | 3.07 | 3.41 | 0.02 | 0.03 | 0.40 | 0.70 | 0.01  | 0.05 | 0.30 | 1.20 | 0.01  | 0.03 | 0.15 | 0.65 | 0.07       | 1.78 | 0.14 | 3.45 | 0.12 | 3.15 |
| 1812L300SL    | 0.17             | 0.19 | 4.37 | 4.73 | 0.12 | 0.13 | 3.07 | 3.41 | 0.02 | 0.03 | 0.40 | 0.75 | 0.01  | 0.05 | 0.30 | 1.20 | 0.01  | 0.03 | 0.15 | 0.65 | 0.07       | 1.78 | 0.14 | 3.45 | 0.12 | 3.15 |
| 1812L350SL    | 0.17             | 0.19 | 4.37 | 4.73 | 0.12 | 0.13 | 3.07 | 3.41 | 0.02 | 0.03 | 0.40 | 0.70 | 0.01  | 0.05 | 0.30 | 1.20 | 0.01  | 0.03 | 0.15 | 0.65 | 0.07       | 1.78 | 0.14 | 3.45 | 0.12 | 3.15 |
| 1812L370SL    | 0.17             | 0.19 | 4.37 | 4.73 | 0.12 | 0.13 | 3.07 | 3.41 | 0.02 | 0.03 | 0.40 | 0.70 | 0.01  | 0.05 | 0.30 | 1.20 | 0.01  | 0.03 | 0.15 | 0.65 | 0.07       | 1.78 | 0.14 | 3.45 | 0.12 | 3.15 |
| 2920L700SL    | 0.26             | 0.31 | 6.73 | 7.98 | 0.19 | 0.21 | 4.80 | 5.44 | 0.02 | 0.03 | 0.40 | 0.65 | 0.01  | 0.10 | 0.30 | 2.50 | 0.01  | 0.08 | 0.25 | 2.00 | 0.08       | 2.00 | 0.18 | 4.60 | 0.21 | 5.30 |

**Packaging**

| Part Number   | Ordering Number | I <sub>hold</sub> (A) | I <sub>hold</sub> Code | Packaging Option | Quantity | Quantity & Packaging Codes |
|---------------|-----------------|-----------------------|------------------------|------------------|----------|----------------------------|
| 0402L010SL    | 0402L010SLKR    | 0.10                  | 010                    | Tape & Reel      | 10,000   | KR                         |
| 0402L020SL    | 0402L020SLKR    | 0.20                  | 020                    |                  | 10,000   | KR                         |
| 0402L035SL    | 0402L035SLKR    | 0.35                  | 035                    |                  | 10,000   | KR                         |
| 0402L050SL    | 0402L050SLKR    | 0.50                  | 050                    |                  | 10,000   | KR                         |
| 0603L050SL    | 0603L050SLYR    | 0.50                  | 050                    |                  | 4,000    | YR                         |
| 0603L075SL    | 0603L075SLYR    | 0.75                  | 075                    |                  | 4,000    | YR                         |
| 0603L100SL    | 0603L100SLYR    | 1.00                  | 100                    |                  | 4,000    | YR                         |
| 0603L150SL    | 0603L150SLYR    | 1.50                  | 150                    |                  | 4,000    | YR                         |
| 0603L175SL    | 0603L175SLYR    | 1.75                  | 175                    |                  | 4,000    | YR                         |
| 0805L075SL    | 0805L075SLYR    | 0.75                  | 075                    |                  | 4,000    | YR                         |
| 0805L110SL    | 0805L110SLYR    | 1.10                  | 110                    |                  | 4,000    | YR                         |
| 0805L150SL    | 0805L150SLYR    | 1.50                  | 150                    |                  | 4,000    | YR                         |
| 0805L175SL    | 0805L175SLYR    | 1.75                  | 175                    |                  | 4,000    | YR                         |
| 0805L200SLTH  | 0805L200SLTHYR  | 2.00                  | 200                    |                  | 4,000    | YR                         |
| 0805L260SLTH  | 0805L260SLTHYR  | 2.60                  | 260                    |                  | 4,000    | YR                         |
| 0805L300SL    | 0805L300SLWR    | 3.00                  | 300                    |                  | 3,000    | WR                         |
| 1206L075SL    | 1206L075SLYR    | 0.75                  | 075                    |                  | 4,000    | YR                         |
| 1206L110SL    | 1206L110SLYR    | 1.10                  | 110                    |                  | 4,000    | YR                         |
| 1206L150SL    | 1206L150SLYR    | 1.50                  | 150                    |                  | 4,000    | YR                         |
| 1206L110/12SL | 1206L110/12SLYR | 1.10                  | 110                    |                  | 4,000    | YR                         |
| 1206L150/12SL | 1206L150/12SLYR | 1.50                  | 150                    |                  | 4,000    | YR                         |
| 1206L175SL    | 1206L175SLYR    | 1.75                  | 175                    |                  | 4,000    | YR                         |
| 1206L200SL    | 1206L200SLYR    | 2.00                  | 200                    |                  | 4,000    | YR                         |
| 1206L260SLTH  | 1206L260SLTHYR  | 2.60                  | 260                    |                  | 4,000    | YR                         |
| 1206L300SLTH  | 1206L300SLTHYR  | 3.00                  | 300                    |                  | 4,000    | YR                         |
| 1206L350SLTH  | 1206L350SLTHYR  | 3.50                  | 350                    |                  | 4,000    | YR                         |
| 1206L380SLTH* | 1206L380SLTHYR  | 2.82*                 | 380                    |                  | 4,000    | YR                         |
| 1206L400SL    | 1206L400SLWR    | 4.00                  | 400                    |                  | 3,000    | WR                         |
| 1206L450SL    | 1206L450SLWR    | 4.50                  | 450                    |                  | 3,000    | WR                         |
| 1210L175SL    | 1210L175SLYR    | 1.75                  | 175                    |                  | 4,000    | YR                         |
| 1210L200SL    | 1210L200SLYR    | 2.00                  | 200                    |                  | 4,000    | YR                         |
| 1210L260SL    | 1210L260SLYR    | 2.60                  | 260                    |                  | 4,000    | YR                         |
| 1210L300SL    | 1210L300SLYR    | 3.00                  | 300                    |                  | 4,000    | YR                         |
| 1210L350SL    | 1210L350SLWR    | 3.50                  | 350                    |                  | 3,000    | WR                         |
| 1210L380SL    | 1210L380SLYR    | 3.80                  | 380                    |                  | 4,000    | YR                         |
| 1210L400SL    | 1210L400SLWR    | 4.00                  | 400                    |                  | 3,000    | WR                         |
| 1210L450SL    | 1210L450SLWR    | 4.50                  | 450                    |                  | 3,000    | WR                         |
| 1812L190SL    | 1812L190SLPR    | 1.90                  | 190                    |                  | 2,000    | PR                         |
| 1812L260SL    | 1812L260SLPR    | 2.60                  | 260                    |                  | 2,000    | PR                         |
| 1812L270SL    | 1812L270SLPR    | 2.70                  | 270                    |                  | 2,000    | PR                         |
| 1812L300SL    | 1812L300SLPR    | 3.00                  | 300                    | 2,000            | PR       |                            |
| 1812L350SL    | 1812L350SLPR    | 3.50                  | 350                    | 2,000            | PR       |                            |
| 1812L370SL    | 1812L370SLPR    | 3.70                  | 370                    | 2,000            | PR       |                            |
| 2920L700SL    | 2920L700SLPR    | 7.00                  | 700                    | 2,000            | PR       |                            |

Notes: \*1206L380SLTH has I<sub>hold</sub> 2.82A for at least 15min @ 55°C.

**Part Ordering Number System**



**Tape and Reel Specifications**

|  |  |
|--|--|
|  | 0402L010SL<br>0402L020SL<br>0402L035SL<br>0402L050SL |
| <b>TAPE DIMENSIONS: EIA-481-1 (mm)</b> |  |

|                      |             |
|----------------------|-------------|
| <b>C<sub>t</sub></b> | 0.05 ± 0.01 |
| <b>D<sub>d</sub></b> | 1.5 ± 0.1   |
| <b>D<sub>s</sub></b> | 4.0 ± 0.1   |
| <b>P<sub>d</sub></b> | 0.41 ± 0.1  |
| <b>P<sub>h</sub></b> | 1.12 ± 0.1  |
| <b>P<sub>s</sub></b> | 2.0 ± 0.1   |
| <b>P<sub>w</sub></b> | 0.62 ± 0.1  |
| <b>T<sub>t</sub></b> | 0.61 ± 0.1  |
| <b>T<sub>w</sub></b> | 8.0 ± 0.1   |
| Leader min.          | 390         |
| Trailer min.         | 160         |

|  |             |
|--|-------------|
| <b>REEL DIMENSIONS: EIA-481-1 (mm)</b> |             |
| <b>H</b>                               | 12.0 ± 0.5  |
| <b>W</b>                               | 9.0 ± 0.5   |
| <b>D</b>                               | Ø60 ± 0.5   |
| <b>F</b>                               | Ø13.0 ± 0.2 |
| <b>C</b>                               | Ø178 ± 1    |
| <b>W<sub>1</sub></b>                   | 2.2 ± 0.5   |
| <b>W<sub>2</sub></b>                   | 3.0 ± 0.5   |
| <b>W<sub>3</sub></b>                   | 4.0 ± 0.5   |
| <b>W<sub>4</sub></b>                   | 5.5 ± 0.5   |

**Dimensions for 0402 size product** (see table at left)



**Dimensions for 0603, 0805, 1206, 1210, 1812 and 2920 size product** (see table below)



|  |                          |  |            |  |                          |  |  |  |            |
|--|--------------------------|--|------------|--|--------------------------|--|--|--|------------|
| 0603L050SL<br>0603L075SL<br>0603L100SL | 0603L150SL<br>0603L175SL | 0805L075SL<br>0805L110SL<br>0805L150SL<br>0805L175SL<br>0805L200SLTH<br>0805L260SLTH | 0805L300SL | 1206L075SL<br>1206L110SL<br>1206L150SL<br>1206L110/12SL<br>1206L150/12SL<br>1206L175SL<br>1206L200SL<br>1206L260SLTH<br>1206L300SLTH<br>1206L350SLTH<br>1206L380SLTH | 1206L400SL<br>1206L450SL | 1210L175SL<br>1210L200SL<br>1210L260SL<br>1210L300SL<br>1210L380SL | 1210L350SL<br>1210L400SL<br>1210L450SL | 1812L190SL<br>1812L260SL<br>1812L270SL<br>1812L300SL<br>1812L350SL<br>1812L370SL | 2920L700SL |
|--|--------------------------|--|------------|--|--------------------------|--|--|--|------------|

|  |             |             |             |             |                  |                  |             |             |              |              |
|--|-------------|-------------|-------------|-------------|------------------|------------------|-------------|-------------|--------------|--------------|
| <b>TAPE DIMENSIONS: EIA-481-1 (mm)</b> |             |             |             |             |                  |                  |             |             |              |              |
| <b>W</b>                               | 8.00 ± 0.30 | 8.00 ± 0.30 | 8.00 ± 0.10 | 8.00 ± 0.30 | 8.20 +0.10/-0.30 | 8.15 +0.15/-0.30 | 8.00 ± 0.30 | 8.00 ± 0.30 | 12.00 ± 0.30 | 16.00 ± 0.30 |
| <b>F</b>                               | 3.50 ± 0.05 | 3.50 ± 0.05 | 3.50 ± 0.05 | 3.50 ± 0.05 | 3.50 ± 0.05      | 3.50 ± 0.05      | 3.50 ± 0.05 | 3.50 ± 0.05 | 5.50 ± 0.05  | 7.50 ± 0.10  |
| <b>E<sub>1</sub></b>                   | 1.75 ± 0.10 | 1.75 ± 0.10 | 1.75 ± 0.10 | 1.75 ± 0.10 | 1.75 ± 0.10      | 1.75 ± 0.10      | 1.75 ± 0.10 | 1.75 ± 0.10 | 1.75 ± 0.10  | 1.75 ± 0.10  |
| <b>D<sub>0</sub></b>                   | 1.55 ± 0.05 | 1.55 ± 0.05 | 1.55 ± 0.05 | 1.55 ± 0.05 | 1.55 ± 0.05      | 1.55 ± 0.05      | 1.55 ± 0.05 | 1.55 ± 0.05 | 1.55 ± 0.05  | 1.55 ± 0.05  |
| <b>D<sub>1</sub></b>                   | 0.50 ± 0.10 | 0.50 ± 0.10 | 1.00 (Min.) | 1.00 ± 0.10 | 1.00 ± 0.10      | 1.00 ± 0.10      | 1.00 (Min.) | 1.00 (Min.) | 1.55 (Min.)  | 1.50 ± 0.10  |
| <b>P<sub>0</sub></b>                   | 4.00 ± 0.10 | 4.00 ± 0.10 | 4.00 ± 0.08 | 4.00 ± 0.10 | 4.00 ± 0.10      | 4.00 ± 0.10      | 4.00 ± 0.10 | 4.00 ± 0.10 | 4.00 ± 0.10  | 4.00 ± 0.10  |
| <b>P<sub>1</sub></b>                   | 4.00 ± 0.10 | 4.00 ± 0.10 | 4.00 ± 0.10 | 4.00 ± 0.10 | 4.00 ± 0.10      | 4.00 ± 0.10      | 4.00 ± 0.10 | 4.00 ± 0.10 | 8.00 ± 0.10  | 8.00 ± 0.10  |
| <b>P<sub>2</sub></b>                   | 2.00 ± 0.05 | 2.00 ± 0.05 | 2.00 ± 0.05 | 2.00 ± 0.05 | 2.00 ± 0.05      | 2.00 ± 0.05      | 2.00 ± 0.05 | 2.00 ± 0.05 | 2.00 ± 0.05  | 2.00 ± 0.10  |
| <b>A<sub>0</sub></b>                   | 1.10 ± 0.10 | 1.10 ± 0.10 | 1.60 ± 0.10 | 1.65 ± 0.10 | 1.95 ± 0.10      | 1.92 ± 0.10      | 2.82 ± 0.10 | 2.82 ± 0.10 | 3.58 ± 0.10  | 5.74 ± 0.10  |
| <b>B<sub>0</sub></b>                   | 1.92 ± 0.10 | 1.92 ± 0.10 | 2.30 ± 0.10 | 2.35 ± 0.10 | 3.65 ± 0.10      | 3.65 ± 0.10      | 3.46 ± 0.10 | 3.50 ± 0.10 | 4.93 ± 0.10  | 8.02 ± 0.10  |
| <b>T</b>                               | 0.20 ± 0.10 | 0.20 ± 0.10 | 0.25 ± 0.10 | 0.25 ± 0.10 | 0.20 ± 0.10      | 0.25 ± 0.10      | 0.25 ± 0.10 | 0.20 ± 0.10 | 0.25 ± 0.10  | 0.30 ± 0.10  |
| <b>K<sub>0</sub></b>                   | 0.72 ± 0.10 | 0.96 ± 0.10 | 0.90 ± 0.10 | 1.50 ± 0.10 | 0.87 ± 0.10      | 1.30 ± 0.10      | 1.00 ± 0.10 | 1.30 ± 0.10 | 0.87 ± 0.06  | 0.91 ± 0.10  |
| Leader min.                            | 390         |             |             |             |                  |                  |             |             |              |              |
| Trailer min.                           | 160         |             |             |             |                  |                  |             |             |              |              |

|  |             |  |  |             |            |
|--|-------------|--|--|-------------|------------|
| <b>REEL DIMENSIONS: EIA-481-1 (mm)</b> |             |  |  |             |            |
| <b>H</b>                               | 11.0 ± 0.5  |  |  | 16.0 ± 0.5  | 19.5 ± 1.0 |
| <b>W</b>                               | 9.0 ± 1.5   |  |  | 13.2 ± 1.5  | 17 ± 0.2   |
| <b>C</b>                               | Ø178 ± 1.0  |  |  | Ø178 ± 1.0  | Ø180 ± 3.0 |
| <b>D</b>                               | Ø60.2 ± 0.5 |  |  | Ø60.2 ± 0.5 | Ø60 ± 0.5  |



## Данный компонент на территории Российской Федерации

### Вы можете приобрести в компании MosChip.

Для оперативного оформления запроса Вам необходимо перейти по данной ссылке:

<http://moschip.ru/get-element>

Вы можете разместить у нас заказ для любого Вашего проекта, будь то серийное производство или разработка единичного прибора.

В нашем ассортименте представлены ведущие мировые производители активных и пассивных электронных компонентов.

Нашей специализацией является поставка электронной компонентной базы двойного назначения, продукции таких производителей как XILINX, Intel (ex.ALTERA), Vicor, Microchip, Texas Instruments, Analog Devices, Mini-Circuits, Amphenol, Glenair.

Сотрудничество с глобальными дистрибьюторами электронных компонентов, предоставляет возможность заказывать и получать с международных складов практически любой перечень компонентов в оптимальные для Вас сроки.

На всех этапах разработки и производства наши партнеры могут получить квалифицированную поддержку опытных инженеров.

Система менеджмента качества компании отвечает требованиям в соответствии с ГОСТ Р ИСО 9001, ГОСТ РВ 0015-002 и ЭС РД 009

### Офис по работе с юридическими лицами:

105318, г.Москва, ул.Щербаковская д.3, офис 1107, 1118, ДЦ «Щербаковский»

Телефон: +7 495 668-12-70 (многоканальный)

Факс: +7 495 668-12-70 (доб.304)

E-mail: [info@moschip.ru](mailto:info@moschip.ru)

Skype отдела продаж:

moschip.ru

moschip.ru\_4

moschip.ru\_6

moschip.ru\_9