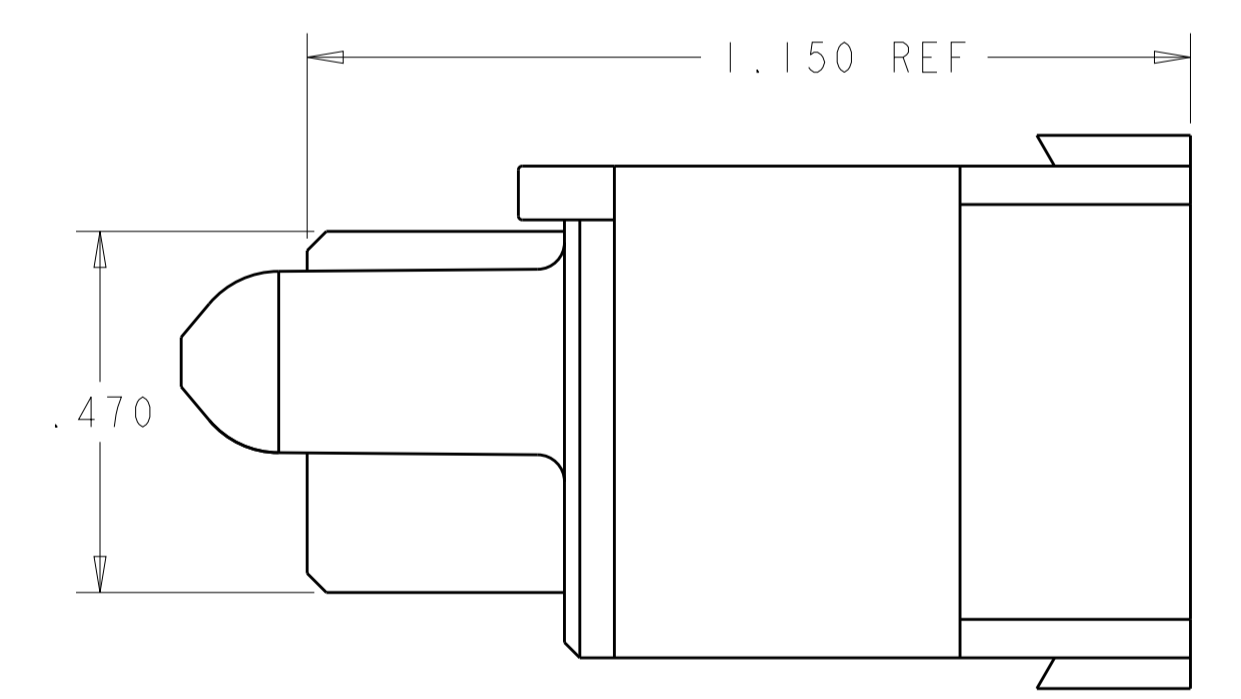
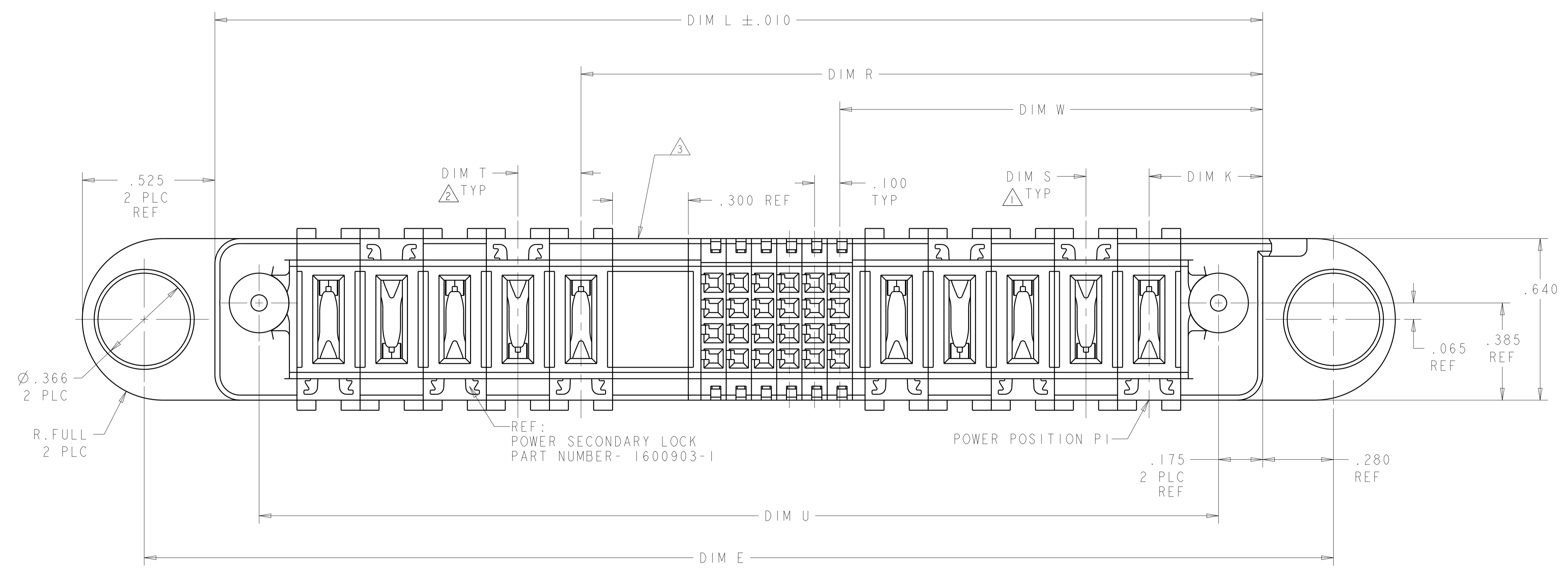
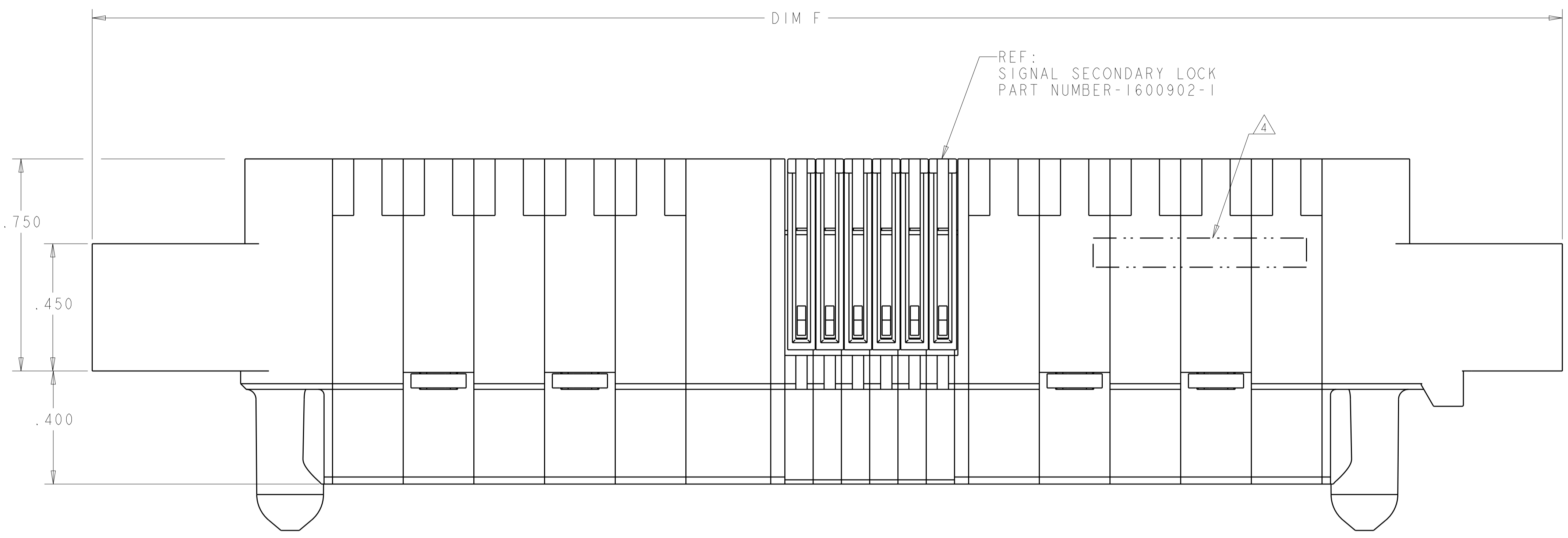
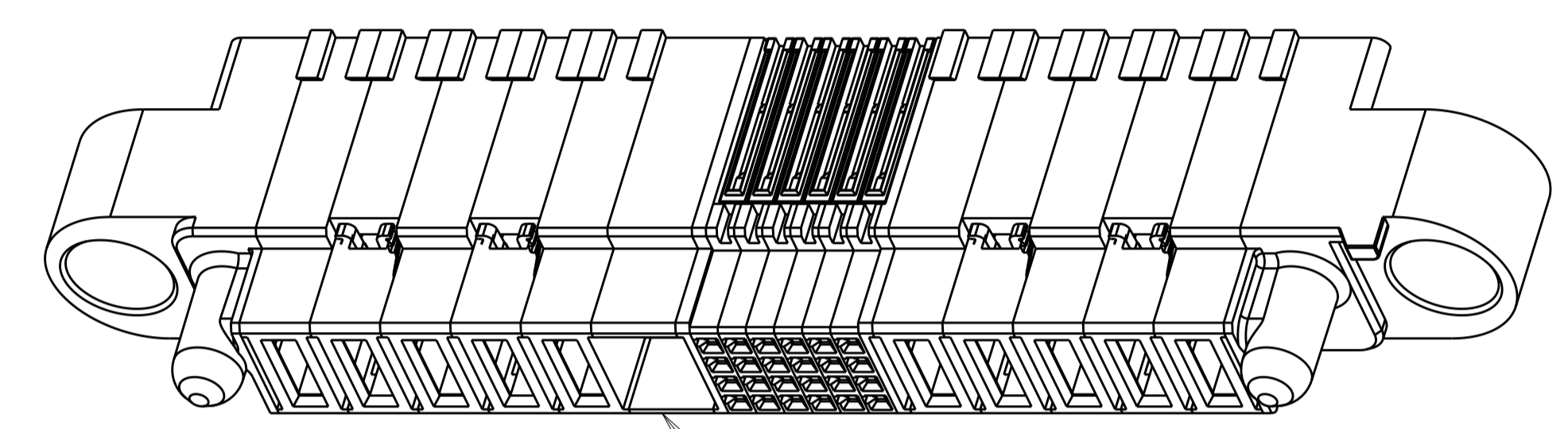
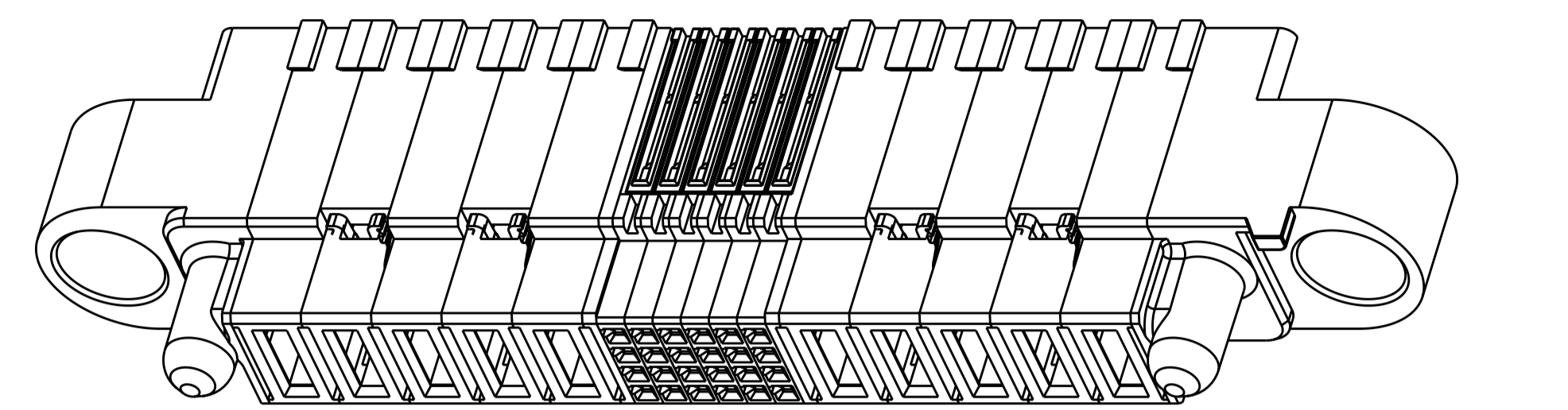
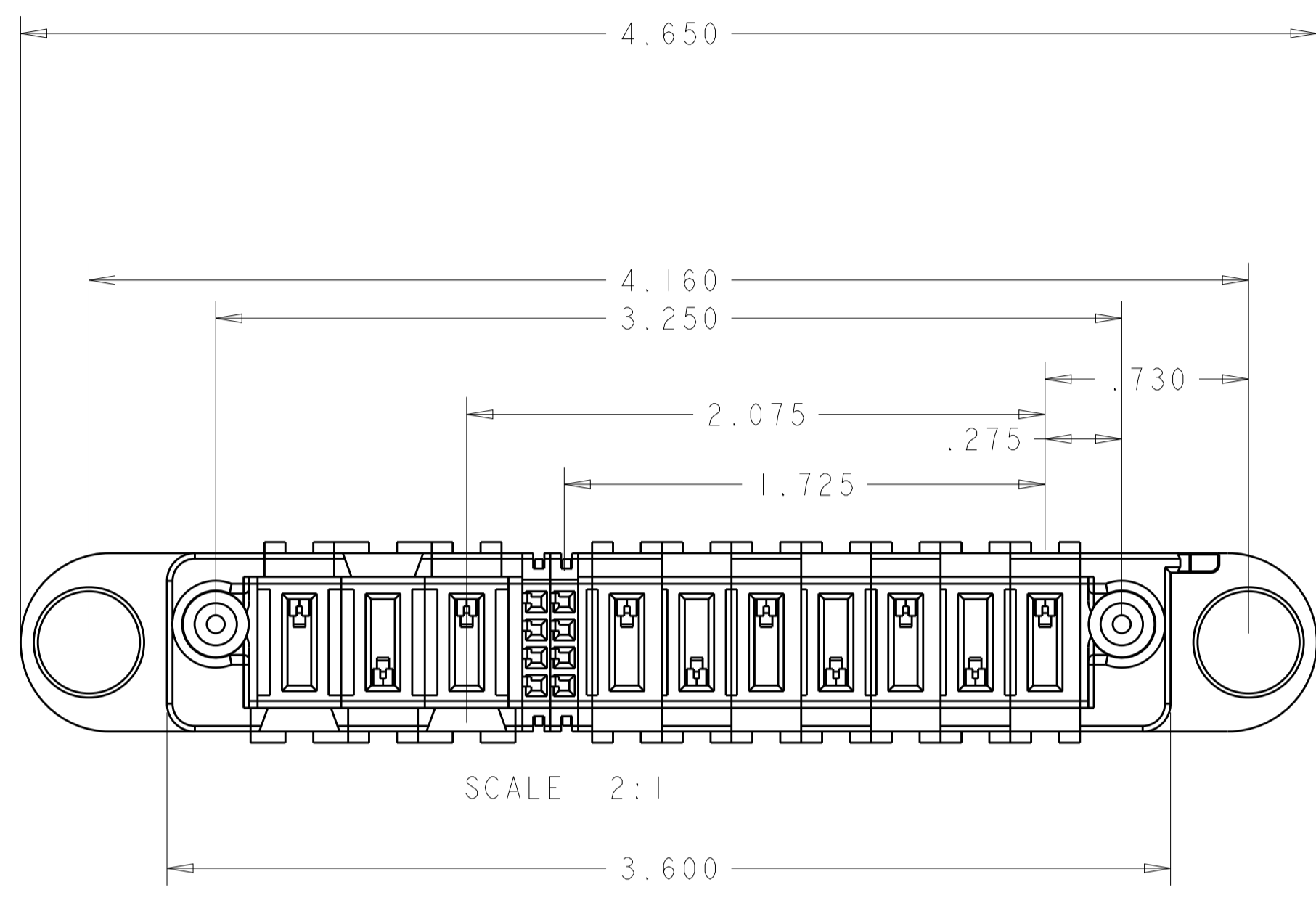


REVISIONS				
P.	LTN	DESCRIPTION	DATE	APVD
M4		ADD NEW DASH NUMBER 3-9	22JAN2016	CZ SZ
M5		REVISED 3-9	28JAN2016	CZ SZ
M6		ADDED NEW DASH NUMBER 4-0	01MAR2016	CZ SZ



THIS DRAWING IS A CONTROLLED DOCUMENT.		DWN D. RINGLER 28JUL2003	TE Connectivity
DIMENSIONS:		CHK M. CORRELL 28JUL2003	
mm	TOLERANCES UNLESS OTHERWISE SPECIFIED:	APVD	NAME
0 PLC ± 1 PLC ± 2 PLC ± 3 PLC ±.005 4 PLC ±.0020 ANGLES ±.0020	FINISH	PRODUCT SPEC	PANEL MOUNT CABLE RECEPTACLE HOUSING WITH GUIDES MULTI-BEAM XL
MATERIAL	TBD	APPLICATION SPEC	SIZE
		114-13112	A1
		WEIGHT	CAGE CODE
			1600636
		CUSTOMER DRAWING	SCALE
			4:1
		SHEET	1
		OF	5
		REV	M5

REVISIONS				
P.	LTN	DESCRIPTION	DATE	APVD



- 1 DIM S IS CENTERLINE SPACING OF POWER MODULES ON RIGHT SIDE OF HOUSING.
- 2 DIM T IS CENTERLINE SPACING OF POWER MODULES ON LEFT SIDE OF HOUSING.
- 3 OPTIONAL CENTER MODULE.
- 4 COMPANY TRADEMARK, PART NUMBER, AND DATE CODE TO BE MARKED IN AREA SHOWN PARTS UNDER 2.00 LONG MAY BE MARKED ON BOTH SIDES.
- 5 MATERIAL: THERMO PLASTIC, UL94 V-0.
- 6 DATUM LOCATIONS AND BASIC DIMENSIONS TO BE ESTABLISHED BY THE CUSTOMER.
- 7 BULKHEAD THICKNESS RANGE: .031 - .100
- 8 CONNECTOR MATED TO PANEL FROM OPPOSITE SIDE.
- 9 NO BURRS ALLOWED ON OPPOSITE (MATING) SIDE.
- 10 CONNECTOR KEEP OUT ZONE.
- 11 MOUNT CONNECTOR WITH TYCO HARDWARE KIT (SEE TABLE) FOR .050 [1.27mm] MIN RADIAL FLOAT.
- 12 VARIABLE DIMENSIONS SHOWN ON VIEW (SHEET 3).
- 13 NOT RELEASE FOR PRODUCTION
- 14. HARDWARE KIT P/N SOLD SEPARATELY

OBSOLETE

1600914-1	NO	2.375	4.300	.300	.250	3.575	4.650	.450	5.700	5.210	8P + 44S + 3ACP	4-1600636-0	
1600914-1	NO	.625	1.200	-	-	1.000	1.450	.450	2.500	2.010	1P + 12S + 1P	3-1600636-9	
1600914-1	NO	1.425	2.500	.250	.250	2.150	2.850	.450	3.900	3.410	4P + 24S + 2P	3-1600636-8	
1600914-1	NO	.675	1.700	-	-	1.600	2.050	.450	3.100	2.610	1P + 32S + 1P	3-1600636-7	
1600914-1	NO	.875	1.700	.250	.250	1.350	2.050	.450	3.100	2.610	2P + 16S + 2P	3-1600636-6	
1600914-1	NO	.675	1.100	-	-	1.000	1.450	.450	2.500	2.010	1P + 8S + 1P	3-1600636-5	
1600914-1	NO	1.325	3.000	.250	.300	1.650	3.350	.475	4.400	3.910	3ACP + 8S + 6P	3-1600636-4	
1600000-1	NO	1.325	3.000	.300	.300	2.275	3.350	.475	4.400	3.910	3ACP + 32S + 3ACP	3-1600636-3	
1600914-1	NO	1.725	3.250	.300	.250	2.075	3.600	.450	4.650	4.160	7P + 8S + 3ACP	2-1600636-9	
1600914-1	NO	1.025	1.800	.300	.300	1.375	2.150	.475	3.200	2.710	2ACP + 8S + 2ACP	2-1600636-8	
1600914-1	NO	1.325	3.250	.250	.300	1.650	3.600	.475	4.650	4.160	3ACP + 8S + 7P	2-1600636-7	
1600000-1	NO	1.325	3.000	.300	.300	2.275	3.350	.475	4.400	3.910	3ACP + 32S + 3ACP	2-1600636-6	
1600000-1	NO	1.025	2.200	.300	.300	1.775	2.550	.475	3.600	3.110	2ACP + 24S + 2ACP	2-1600636-5	
1600914-1	NO	1.175	2.300	.250	.250	1.700	2.650	.450	3.700	3.210	3P + 16S + 3P	2-1600636-4	
1600914-3	NO	2.225	4.800	.250	.300	2.950	5.150	.475	6.200	5.710	6ACP + 24S + 8P	2-1600636-3	
1600914-1	NO	1.425	3.200	.250	.250	2.350	3.550	.450	4.600	4.110	4P + 32S + 4P	2-1600636-2	
1600914-1	NO	1.925	3.400	.300	.250	2.675	3.750	.450	4.800	4.310	6P + 24S + 3ACP	2-1600636-1	
1600914-1	NO	.725	2.500	-	-	2.375	2.850	.475	3.900	3.410	1P + 60S + 1P	2-1600636-0	
1600914-1	NO	1.875	3.450	12	12	2.775	3.800	.425	4.850	4.380	6P + 32S + 3 ACP	1-1600636-8	
1600914-1	NO	1.925	2.600	.250	.250	2.250	2.950	.450	4.000	3.510	6P + 8S + 2P	1-1600636-7	
1600914-3	NO	2.175	5.100	.250	.250	3.500	5.450	.450	6.500	6.010	7P + 48S + 7P	1-1600636-6	
1600914-1	NO	1.425	3.000	.250	.250	2.150	3.350	.450	4.400	3.910	4P + 24S + 4P	1-1600636-5	
1600914-1	NO	1.325	2.800	.300	.300	2.075	3.150	.475	4.200	3.710	3ACP + 24S + 3ACP	1-1600636-4	
1600914-1	NO	.675	1.300	-	-	1.200	1.650	.450	2.700	2.210	1P + 16S + 1P	1-1600636-3	
1600914-1	NO	1.425	3.000	.250	.250	2.150	3.350	.450	4.400	3.910	4P + 24S + 4P	1-1600636-2	
1600914-1	NO	.700	1.575	-	-	1.425	1.925	.475	2.975	2.485	1P + 24S + 1P	1-1600636-1	
1600914-1	NO	.925	1.800	.250	.250	1.450	2.150	.450	3.200	2.710	2P + 16S + 2P	1-1600636-0	
1600914-1	NO	.700	1.575	-	-	1.425	1.925	.475	2.975	2.485	1P + 24S + 1P	1600636-9	
1600914-1	NO	1.175	2.300	.250	.250	1.700	2.650	.450	3.700	3.210	3P + 16S + 3P	1600636-8	
1600914-1	NO	1.425	2.500	.250	.250	2.150	2.850	.450	3.900	3.410	4P + 24S + 2P	1600636-7	
1600914-3	NO	1.625	5.200	.250	.300	2.350	5.550	.475	6.600	6.110	4ACP + 24S + 12P	1600636-6	
1600914-1	NO	1.425	3.000	.250	.250	2.150	3.350	.450	4.400	3.910	4P + 24S + 4P	1600636-5	
1600914-1	NO	.925	2.500	.250	.250	2.150	2.850	.450	3.900	3.410	2P + 44S + 2P	1600636-4	
1600914-1	NO	.750	1.675	-	-	1.525	2.025	.475	3.075	2.585	1P + 24S + 1P	1600636-3	
1600914-1	NO	.925	2.000	.250	.250	1.650	2.350	.450	3.400	2.910	2P + 24S + 2P	1600636-2	
1600914-3	NO	1.925	4.000	.300	.300	2.675	4.350	.475	5.400	4.910	5ACP + 24S + 5ACP	1600636-1	
KIT P/N	13	CENTER MODULE	DIM W	DIM U	DIM T	DIM S	DIM R	DIM L	DIM K	DIM F	DIM E	DESCRIPTION	PART NUMBER

THIS DRAWING IS A CONTROLLED DOCUMENT. DWN 28JUL2003
 CHW D. RINGLER 28JUL2003
 M. CORRELL 28JUL2003

DIMENSIONS: mm
 TOLERANCES UNLESS OTHERWISE SPECIFIED:
 0 PLC ±.015
 1 PLC ±.010
 2 PLC ±.008
 3 PLC ±.005
 4 PLC ±.002
 ANGLES ±.0020

MATERIAL TBD/6 FINISH

PRODUCT SPEC 108-2157
 APPLICATION SPEC 114-13112

WEIGHT
 CUSTOMER DRAWING

NAME PANEL MOUNT CABLE RECEPTACLE HOUSING WITH GUIDES MULTI-BEAM XL
 SIZE A1
 CAGE CODE 1600636
 SCALE 4:1 SHEET 5 OF 5 REV M5

STE TE Connectivity

REVISIONS			
P.	LTN.	DESCRIPTION	DATE

PART NUMBER	ROWS	POWER (L)					SIGNAL					POWER (R)										
		P10	P9	P8	P7	P6	6	5	4	3	2	1	P5	P4	P3	P2	P1					
1600636-1	D C B A	RM	RM	RM	RM	RM	E	E	E	E	E	E	E	E	E	E	E	RA	RA	RA	RA	RA
5ACP + 24S + 5ACP																						

PART NUMBER	ROWS	POWER (L)			SIGNAL				POWER (R)					
		P6	P5	P4	4	3	2	1	P3	P2	P1			
1600636-8	D C B A	RA	RA	RA	E	E	E	E	E	E	E	RM	RM	RM
3P + 16S + 3P														

PART NUMBER	ROWS	POWER (L)		SIGNAL						POWER (R)			
		P4	P3	6	5	4	3	2	1	P2	P1		
1600636-2	D C B A	RM	RM	E	E	E	E	E	E	E	E	RA	RA
2P + 24S + 2P													

PART NUMBER	ROWS	POWER (L)	SIGNAL						POWER (R)			
		P2	6	5	4	3	2	1	P1			
1600636-9	D C B A	RA	E	E	E	E	E	E	E	E	RM	RM
1P + 24S + 1P												

PART NUMBER	ROWS	POWER (L)	SIGNAL						POWER (R)			
		P2	6	5	4	3	2	1	P1			
1600636-3	D C B A	RA	E	E	E	E	E	E	E	E	RA	RA
1P + 24S + 1P												

PART NUMBER	ROWS	POWER (L)		SIGNAL				POWER (R)			
		P4	P3	4	3	2	1	P2	P1		
1-1600636-0	D C B A	RA	RA	E	E	E	E	E	E	RM	RM
2P + 16S + 2P											

PART NUMBER	ROWS	POWER (L)		SIGNAL										POWER (R)				
		P4	P3	11	10	9	8	7	6	5	4	3	2	1	P2	P1		
1600636-4	D C B A	RM	RA	E	E	E	E	E	E	E	E	E	E	E	E	E	RA	RM
2P + 44S + 2P																		

PART NUMBER	ROWS	POWER (L)	SIGNAL						POWER (R)			
		P2	6	5	4	3	2	1	P1			
1-1600636-1	D C B A	RM	E	E	E	E	E	E	E	E	RA	RA
1P + 24S + 1P												

PART NUMBER	ROWS	POWER (L)				SIGNAL						POWER (R)							
		P8	P7	P6	P5	6	5	4	3	2	1	P4	P3	P2	P1				
1600636-5	D C B A	RM	RA	RM	RA	E	E	E	E	E	E	E	E	E	E	RM	RA	RM	RA
4P + 24S + 4P																			

PART NUMBER	ROWS	POWER (L)				SIGNAL						POWER (R)							
		P8	P7	P6	P5	6	5	4	3	2	1	P4	P3	P2	P1				
1-1600636-2	D C B A	RM	RA	RM	RA	E	E	E	E	E	E	E	E	E	E	RM	RA	RM	RA
4P + 24S + 4P																			

PART NUMBER	ROWS	POWER (L)										SIGNAL						POWER (R)									
		P16	P15	P14	P13	P12	P11	P10	P9	P8	P7	P6	P5	6	5	4	3	2	1	P4	P3	P2	P1				
1600636-6	D C B A	RA	RM	RA	RM	RA	RM	RA	RM	RA	RM	RA	RM	E	E	E	E	E	E	E	E	E	E	RA	RM	RA	RM
4ACP + 24S + 12P																											

PART NUMBER	ROWS	P(L)	SIGNAL				P(R)			
		P2	4	3	2	1	P1			
1-1600636-3	D C B A	RA	E	E	E	E	E	E	RM	RM
1P + 16S + 1P										

PART NUMBER	ROWS	POWER (L)		SIGNAL						POWER (R)					
		P6	P5	6	5	4	3	2	1	P4	P3	P2	P1		
1600636-7	D C B A	RA	RM	E	E	E	E	E	E	E	E	RM	RA	RM	RA
4P + 24S + 2P															

PART NUMBER	ROWS	POWER (L)			SIGNAL						POWER (R)					
		P6	P5	P4	6	5	4	3	2	1	P3	P2	P1			
1-1600636-4	D C B A	RM	RM	RM	E	E	E	E	E	E	E	E	E	RA	RA	RA
3ACP + 24S + 3ACP																

OBSOLETE

RM	STANDARD POWER CONTACT
RA	MFBL POWER CONTACT
E	SIGNAL CONTACT
CODE	DESCRIPTION
CONTACT TABLE	

THIS DRAWING IS A CONTROLLED DOCUMENT.

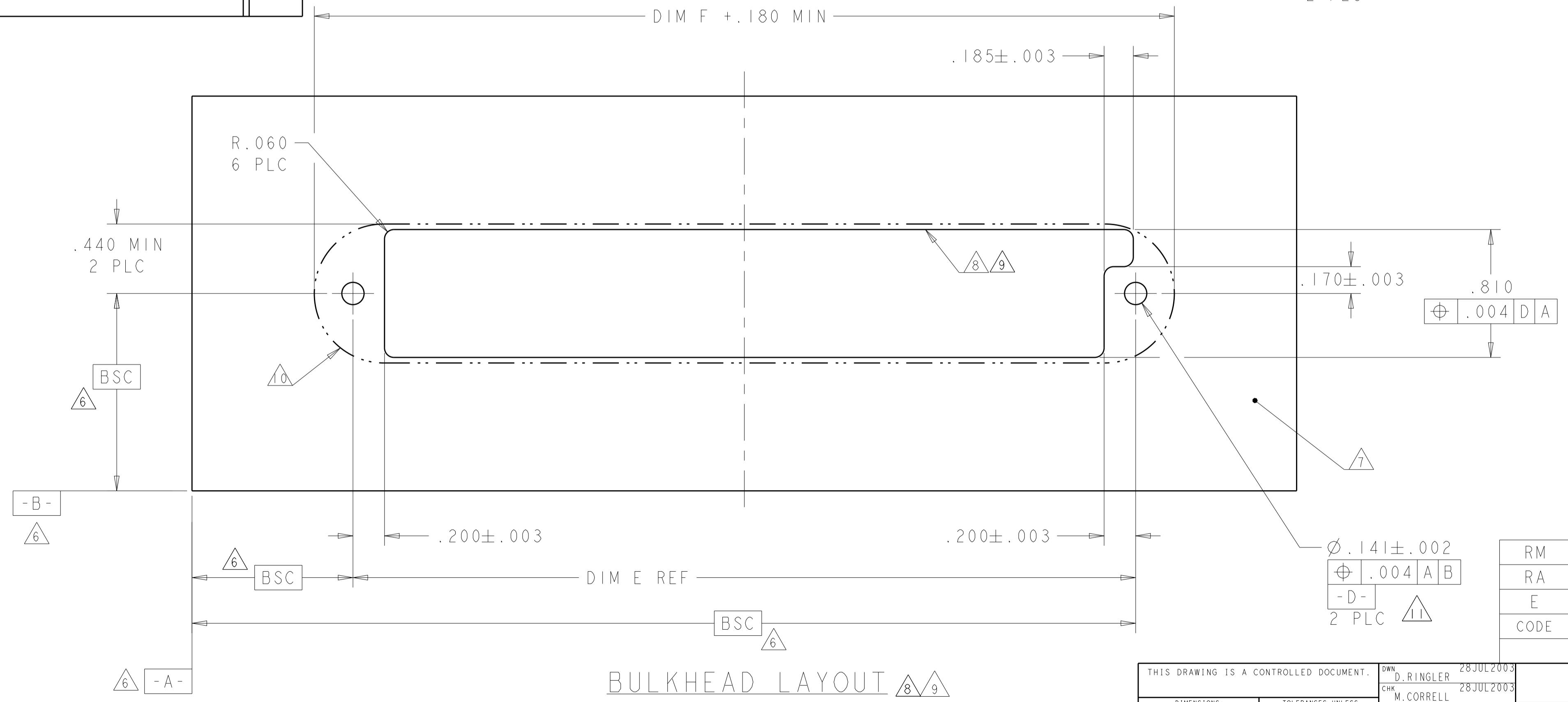
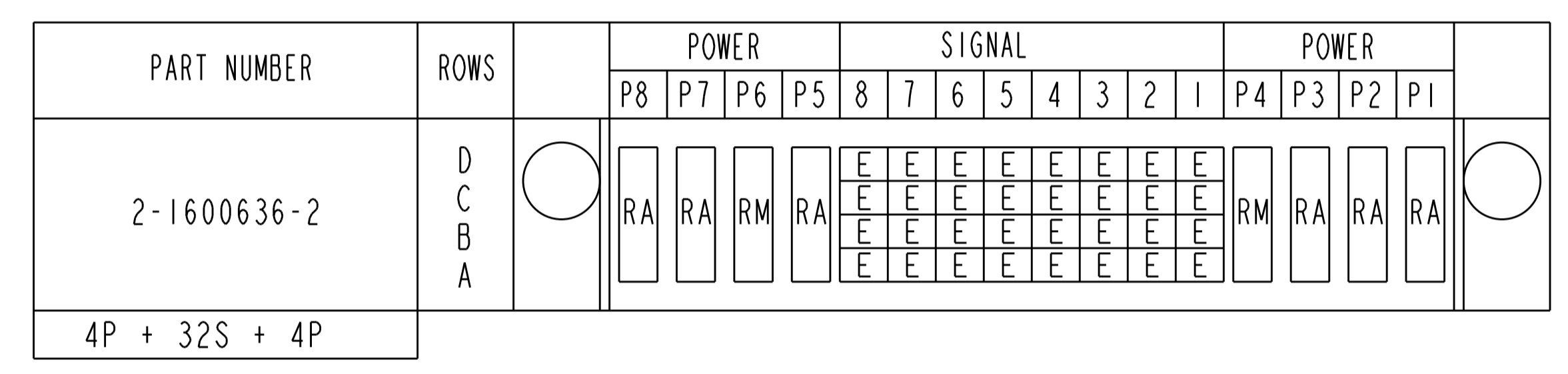
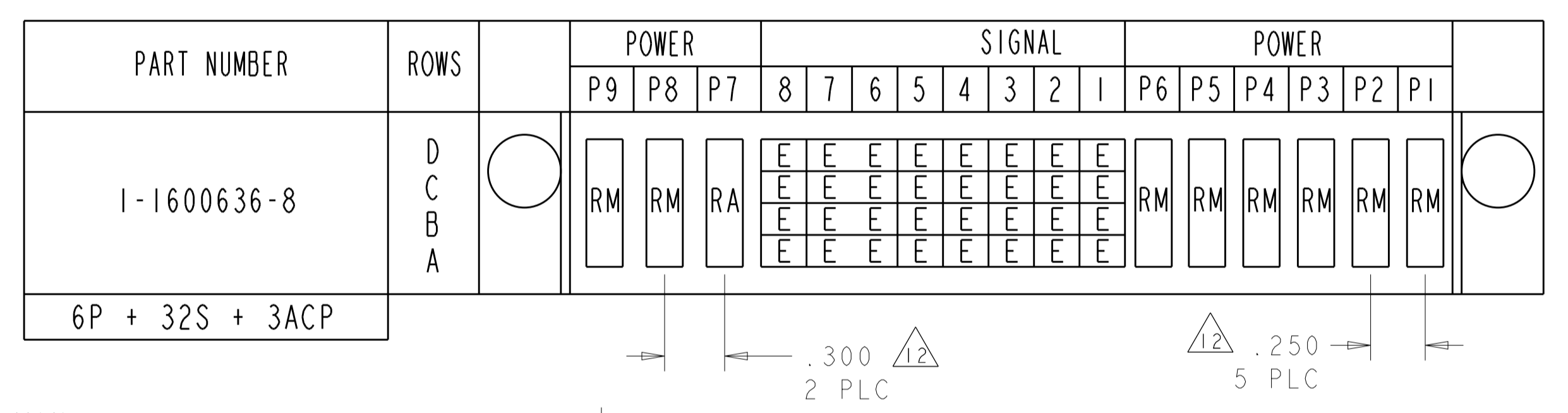
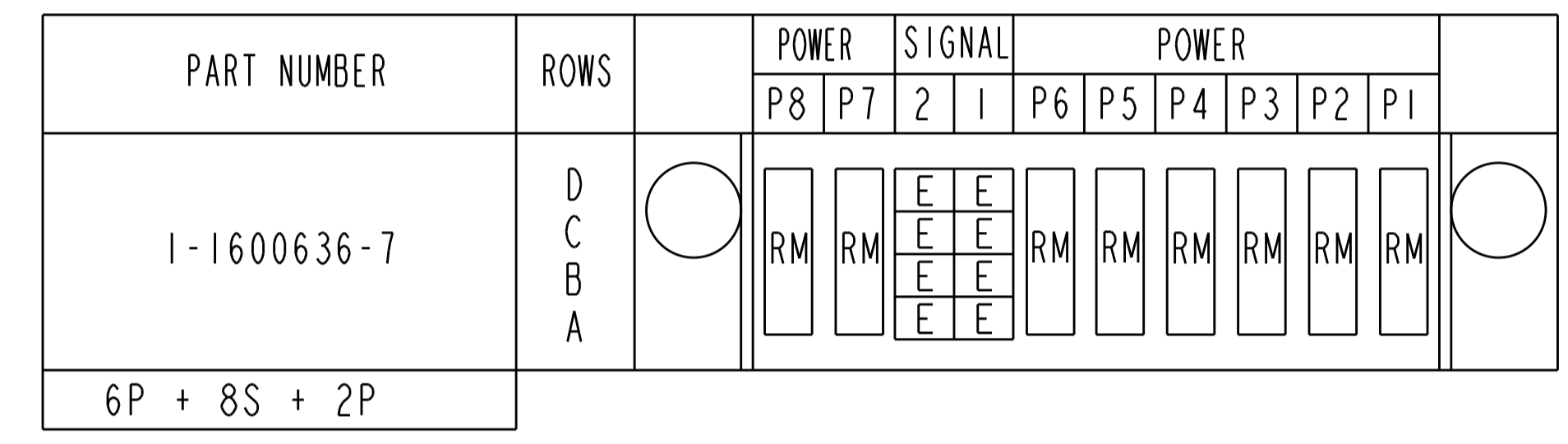
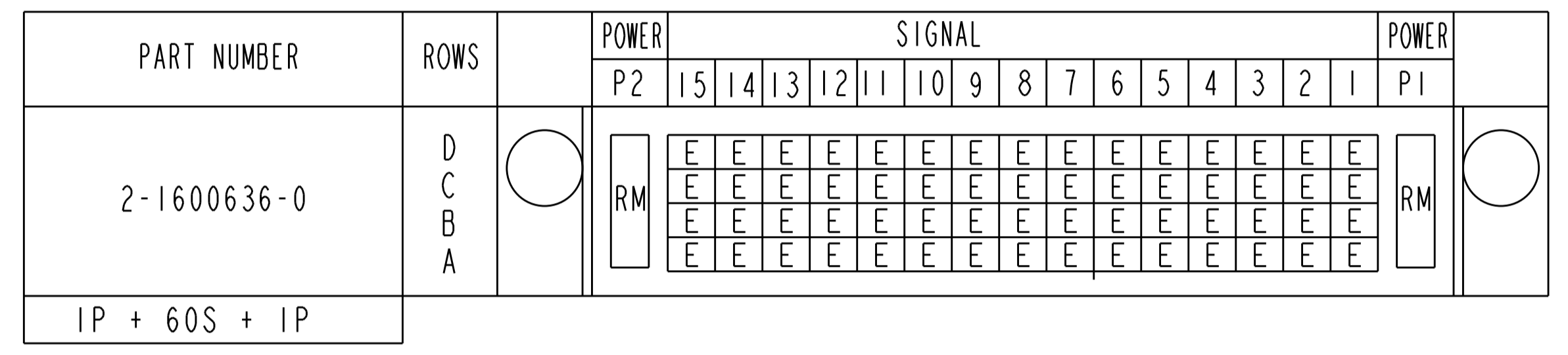
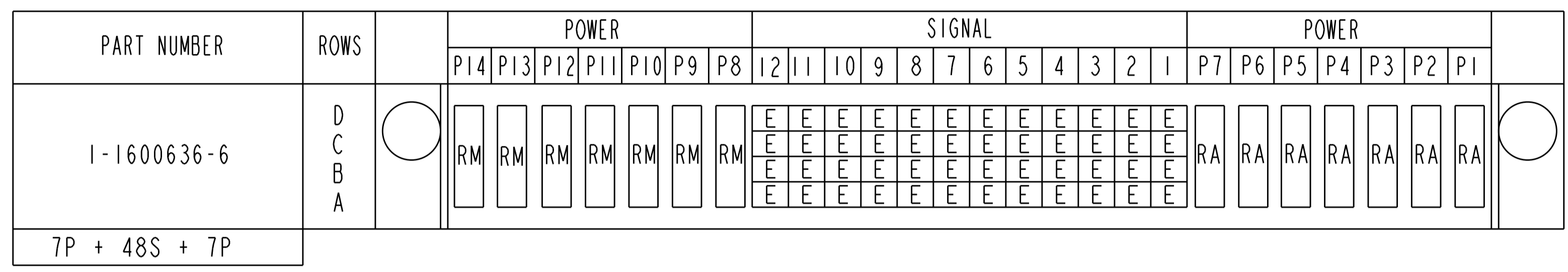
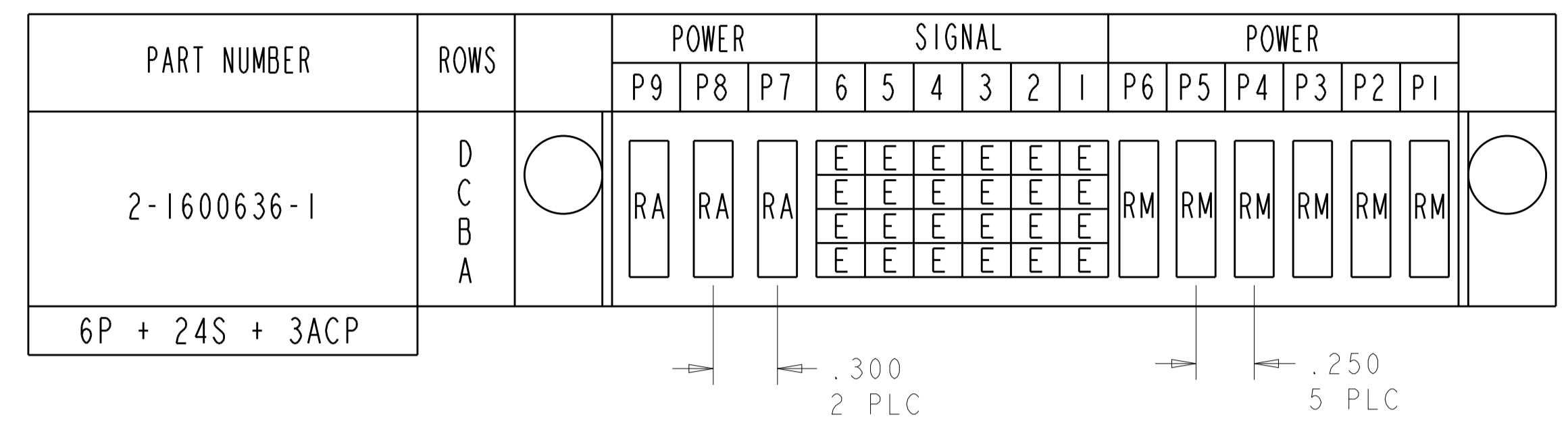
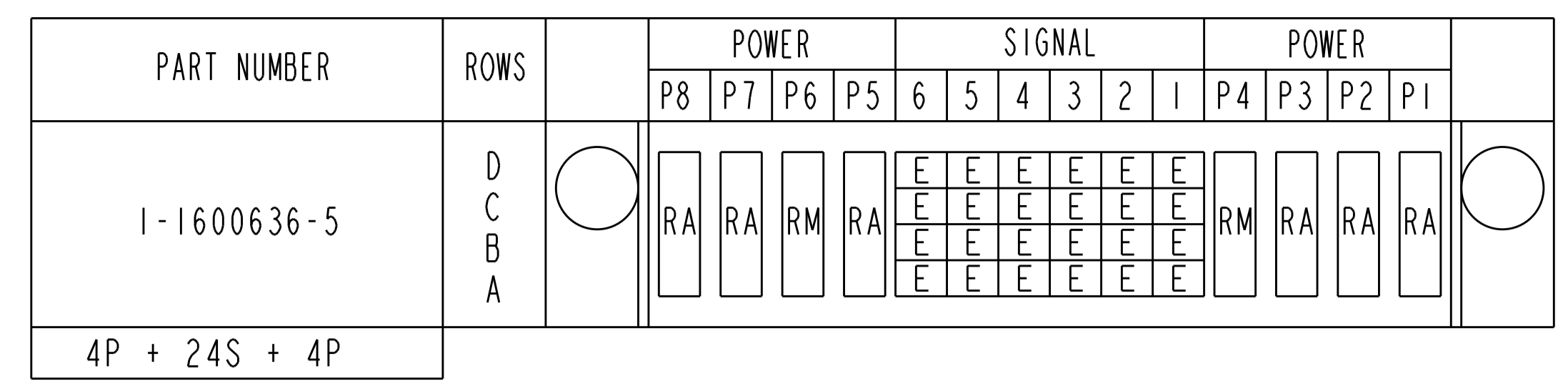
DIMENSIONS: mm
 TOLERANCES UNLESS OTHERWISE SPECIFIED:
 0 PLC ± .1
 1 PLC ± .1
 2 PLC ± .1
 3 PLC ± .005
 4 PLC ± .0020
 ANGLES ± .1

MATERIAL: TBD
 FINISH: -

DWN: D. RINGLER 28JUL2003
 CHK: M. CORRELL 28JUL2003
 APVD: -

PRODUCT SPEC: 108-2157
 APPLICATION SPEC: 114-13112
 WEIGHT: -
 CUSTOMER DRAWING

STE TE Connectivity
 NAME: PANEL MOUNT CABLE RECEPTACLE HOUSING WITH GUIDES MULTI-BEAM XL
 SIZE: A1
 CAGE CODE: -
 DRAWING NO: 1600636
 SCALE: 4:1 SHEET 1 OF 5 REV M5



REFERENCE POWER WIRE CHART - RM & RA CONTACTS		
HOUSING MODULE	CONTACT	INSULATION DIAMETER RANGE
.300	8-10 1600960 REF	[.176-.272]
.250	8-10 1600960 REF	[.176-.203]
	12-14 1600961 REF	[.156-.176]
.200	12-14 1600961 REF	[.120-.156]
.100	22-26 531216-5 REF	[.036-.069]

CODE	DESCRIPTION
RM	STANDARD POWER CONTACT
RA	MFBL POWER CONTACT
E	SIGNAL CONTACT
CONTACT TABLE	

THIS DRAWING IS A CONTROLLED DOCUMENT. DWG: D. RINGLER 28JUL2003
CHK: M. CORRELL 28JUL2003

DIMENSIONS: mm	TOLERANCES UNLESS OTHERWISE SPECIFIED:
0 PLC ± .	1 PLC ± .
2 PLC ± .	3 PLC ± .005
4 PLC ± .0020	ANGLES ± .
MATERIAL: TBD	FINISH: -

PRODUCT SPEC: 108-2157	APPLICATION SPEC: 114-13112
WEIGHT: -	CUSTOMER DRAWING

NAME: PANEL MOUNT CABLE RECEPTACLE HOUSING WITH GUIDES MULTI-BEAM XL
SIZE: A1
SCALE: 4:1 SHEET: 1 OF 5 REV: M5

PART NUMBER	ROWS	POWER								SIGNAL								POWER							
		P14	P13	P12	P11	P10	P9	P8	P7	6	5	4	3	2	1	P6	P5	P4	P3	P2	P1				
2-1600636-3	D C B A	RM	RA							E	E	E	E	E	E	RA		RM	RM	RM	RM				
6ACP + 24S + 8P																									

PART NUMBER	ROWS	POWER (L)		SIGNAL		POWER (R)	
		P4	P3	2	1	P2	P1
2-1600636-8	D C B A	RA	RA	E	E	RA	RA
2ACP + 8S + 2ACP							

NO CONTACTS LOADED

PART NUMBER	ROWS	POWER (L)			SIGNAL				POWER (R)		
		P6	P5	P4	4	3	2	1	P3	P2	P1
2-1600636-4	D C B A	RM	RM	RM	E	E	E	E	RM	RM	RM
3P + 16S + 3P											

PART NUMBER	ROWS	POWER			SIGNAL		POWER							
		P10	P9	P8	2	1	P7	P6	P5	P4	P3	P2	P1	
2-1600636-9	D C B A	RM	RM	RM	E	E	RM	RM	RM	RM	RM	RM	RM	
7P + 8S + 3ACP														

PART NUMBER	ROWS	POWER						SIGNAL		POWER		
		P9	P8	P7	P6	P5	P4	2	1	P3	P2	P1
3-1600636-4	D C B A	RM	RM	RM	RM	RM	RM	E	E	RM	RM	RM
3ACP + 8S + 6P												

PART NUMBER	ROWS	POWER (L)		SIGNAL						POWER (R)	
		P4	P3	6	5	4	3	2	1	P2	P1
2-1600636-5	D C B A	RA	RA	E	E	E	E	E	E	RA	RA
2ACP + 24S + 2ACP											

PART NUMBER	ROWS	POWER			SIGNAL								POWER		
		P6	P5	P4	8	7	6	5	4	3	2	1	P3	P2	P1
3-1600636-3	D C B A	RM	RM	RM	E	E	E	E	E	E	E	E	RA	RM	RM
3ACP + 32S + 3ACP															

PART NUMBER	ROWS	P(L)	SIGNAL		P(R)
		P2	2	1	P1
3-1600636-5	D C B A	RM	E	E	RM
1P + 8S + 1P					

PART NUMBER	ROWS	POWER			SIGNAL								POWER		
		P6	P5	P4	8	7	6	5	4	3	2	1	P3	P2	P1
2-1600636-6	D C B A	RA	RA	RA	E	E	E	E	E	E	E	E	RM	RM	RM
3ACP + 32S + 3ACP															


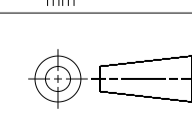
PART NUMBER	ROWS	POWER (L)		SIGNAL				POWER (R)	
		P4	P3	4	3	2	1	P2	P1
3-1600636-6	D C B A	RM	RA	E	E	E	E	RA	RM
2P + 16S + 2P									

PART NUMBER	ROWS	POWER						SIGNAL		POWER		
		P10	P9	P8	P7	P6	P5	P4	2	1	P3	P2
2-1600636-7	D C B A	RM	RM	RM	RM	RM	RM	E	E	RM	RM	RM
3ACP + 8S + 7P												

PART NUMBER	ROWS	POWER	SIGNAL								POWER
		P2	8	7	6	5	4	3	2	1	P1
3-1600636-7	D C B A	RM	E	E	E	E	E	E	E	RM	
1P + 32S + 1P											

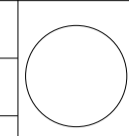
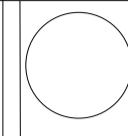
PART NUMBER	ROWS	POWER (L)		SIGNAL						POWER (R)			
		P6	P5	6	5	4	3	2	1	P4	P3	P2	P1
3-1600636-8	D C B A	RM	RM	E	E	E	E	E	E	RM	RM	RM	RA
4P + 24S + 2P													



PART NUMBER	ROWS	POWER	SIGNAL			POWER
		P2	3	2	1	P1
3-1600636-9	D C B A	RM	E	E	E	RM
1P + 12S + 1P						

THIS DRAWING IS A CONTROLLED DOCUMENT.		DWN: D. RINGLER 28JUL2003 CHG: M. CORRELL 28JUL2003	 TE Connectivity
DIMENSIONS: mm 	TOLERANCES UNLESS OTHERWISE SPECIFIED: 0 PLC ± . 1 PLC ± . 2 PLC ± . 3 PLC ± .005 4 PLC ± . ANGLES ± .	APVD: - PRODUCT SPEC: - APPLICATION SPEC: 108-2157 SIZE: 114-13112 WEIGHT: - CUSTOMER DRAWING: -	

THIS DRAWING IS UNPUBLISHED. RELEASED FOR PUBLICATION 20
 © COPYRIGHT 20 BY - ALL RIGHTS RESERVED.

REVISIONS				
P.	LTN	DESCRIPTION	DATE	APVD
-	-	SEE SHEET 1	-	-

PART NUMBER	ROWS	POWER			SIGNAL										POWER																												
		P11	P10	P9	I1	I0	9	8	7	6	5	4	3	2	1	P8	P7	P6	P5	P4	P3	P2	P1																				
4-1600636-0	D		RM	RM	RA	E	E	E	E	E	E	E	E	E	E	E	E	E	E	E	E	E	E	E	RA	RA	RA	RM	RM	RM	RM	RA											
	C					E	E	E	E	E	E	E	E	E	E	E	E	E	E	E	E	E	E	E										E	E	E	E	E	E	E	E		
	B					E	E	E	E	E	E	E	E	E	E	E	E	E	E	E	E	E	E	E										E	E	E	E	E	E	E	E	E	E
	A					E	E	E	E	E	E	E	E	E	E	E	E	E	E	E	E	E	E	E										E	E	E	E	E	E	E	E	E	E
8P + 44S + 3ACP																																											

THIS DRAWING IS A CONTROLLED DOCUMENT.		DWN D. RINGLER 28JUL2003 CHK M. CORRELL 28JUL2003 APVD -	 TE Connectivity
DIMENSIONS: mm 	TOLERANCES UNLESS OTHERWISE SPECIFIED: 0 PLC ±. 1 PLC ±. 2 PLC ±. 3 PLC ±.005 4 PLC ±.0020 ANGLES ±. FINISH -	PRODUCT SPEC - 108-2157 APPLICATION SPEC - 114-13112 WEIGHT - CUSTOMER DRAWING	NAME PANEL MOUNT CABLE RECEPTACLE HOUSING WITH GUIDES MULTI-BEAM XL SIZE A1 CAGE CODE - DRAWING NO. 1600636 RESTRICTED TO - SCALE 4:1 SHEET 1 OF 5 REV. M5

Данный компонент на территории Российской Федерации

Вы можете приобрести в компании MosChip.

Для оперативного оформления запроса Вам необходимо перейти по данной ссылке:

<http://moschip.ru/get-element>

Вы можете разместить у нас заказ для любого Вашего проекта, будь то серийное производство или разработка единичного прибора.

В нашем ассортименте представлены ведущие мировые производители активных и пассивных электронных компонентов.

Нашей специализацией является поставка электронной компонентной базы двойного назначения, продукции таких производителей как XILINX, Intel (ex.ALTERA), Vicor, Microchip, Texas Instruments, Analog Devices, Mini-Circuits, Amphenol, Glenair.

Сотрудничество с глобальными дистрибьюторами электронных компонентов, предоставляет возможность заказывать и получать с международных складов практически любой перечень компонентов в оптимальные для Вас сроки.

На всех этапах разработки и производства наши партнеры могут получить квалифицированную поддержку опытных инженеров.

Система менеджмента качества компании отвечает требованиям в соответствии с ГОСТ Р ИСО 9001, ГОСТ РВ 0015-002 и ЭС РД 009

Офис по работе с юридическими лицами:

105318, г.Москва, ул.Щербаковская д.3, офис 1107, 1118, ДЦ «Щербаковский»

Телефон: +7 495 668-12-70 (многоканальный)

Факс: +7 495 668-12-70 (доб.304)

E-mail: info@moschip.ru

Skype отдела продаж:

moschip.ru

moschip.ru_4

moschip.ru_6

moschip.ru_9