

Low Voltage - P.C. Board Mount (160/161 Series)

Power



LOW VOLTAGE - P.C. BOARD VERTICAL MOUNT

- 20 output voltages to choose from (5 - 120VAC R.M.S.)
- Six VA size models available from - .5 to 24 VA
- Vertical mount, split bobbin design.
- Dual winding secondaries, non-concentrically wound
- Low primary to secondary coupling - no electrostatic shield required.
- Choice of economical single primary 115V - 60 Hz only (161 series) or the universal dual primary 115/230V - 50/60 Hz (160 series).
- High insulation - Hipot of 2,000V RMS.
- Class B insulation - 130 degrees C.
- CSA certified and UL recognized.



| Part No. Single Pri. 115V | Part No. Dual Pri. 115/230V | Size VA | Secondary (RMS) | |
|---------------------------------|-----------------------------------|------------|--------------------|--------------|
| | | | Series | Parallel |
| 161C10 | - | 0.5 | 10V C.T. @ 50ma | 5V @ 100ma |
| 161D10 | 160D10 | 1 | 10V C.T. @ 90ma | 5V @ 180ma |
| 161FA10 | 160F10 | 1.2 | 10V C.T. @ 120ma | 5V @ 240ma |
| 161GA10 | 160G10 | 4.4 | 10V C.T. @ 440ma | 5V @ 880ma |
| 161J10 | 160J10 | 10 | 10V C.T. @ 1A | 5V @ 2A |
| 161H10 | 160H10 | 24 | 10V C.T. @ 2.4A | 5V @ 4.8A |
| 161C12 | - | 0.5 | 12.6V C.T. @ 40ma | 6.3V @ 80ma |
| 161D12 | 160D12 | 1 | 12.6V C.T. @ 70ma | 6.3V @ 140ma |
| 161FA12 | 160F12 | 1.2 | 12.6V C.T. @ 100ma | 6.3V @ 200ma |
| 161GA12 | 160G12 | 4.4 | 12.6V C.T. @ 350ma | 6.3V @ 700ma |
| 161K12 | 160K12 | 10 | 12.6V C.T. @ 800ma | 6.3V @ 1.6A |
| 161H12 | 160H12 | 24 | 12.6V C.T. @ 2A | 6.3V @ 4A |
| 161C16 | - | 0.5 | 16V C.T. @ 31.3ma | 8V @ 62.5ma |
| 161D16 | 160D16 | 1 | 16V C.T. @ 55ma | 8V @ 110ma |
| 161EA16 | 160E16 | 1.2 | 16V C.T. @ 75ma | 8V @ 150ma |
| 161FA16 | 160F16 | 4.4 | 16V C.T. @ 260ma | 8V @ 520ma |
| 161G16 | 160G16 | 10 | 16V C.T. @ 640ma | 8V @ 1.28A |
| 161H16 | 160H16 | 24 | 16V C.T. @ 1.5A | 8V @ 3A |
| 161D20 | 160D20 | 1 | 20V C.T. @ 45ma | 10V @ 90ma |
| 161EA20 | 160E20 | 1.2 | 20V C.T. @ 60ma | 10V @ 120ma |
| 161FA20 | 160F20 | 4.4 | 20V C.T. @ 220ma | 10V @ 440ma |
| 161G20 | 160G20 | 10 | 20V C.T. @ 500ma | 10V @ 1A |
| 161H20 | 160H20 | 24 | 20V C.T. @ 1.2A | 10V @ 2.4A |
| 161D24 | 160D24 | 1 | 24V C.T. @ 35ma | 12V @ 70ma |
| 161E24 | 160E24 | 1.2 | 24V C.T. @ 50ma | 12V @ 100ma |
| 161F24 | 160F24 | 4.4 | 24V C.T. @ 180ma | 12V @ 360ma |
| 161G24 | 160G24 | 10 | 24V C.T. @ 450ma | 12V @ 900ma |
| 161H24 | 160H24 | 24 | 24V C.T. @ 1A | 12V @ 2A |
| 161D28 | 160D28 | 1 | 28V C.T. @ 30ma | 14V @ 60ma |
| 161E28 | 160E28 | 1.2 | 28V C.T. @ 40ma | 14V @ 80ma |
| 161F28 | 160F28 | 4.4 | 28V C.T. @ 160ma | 14V @ 320ma |
| 161G28 | 160G28 | 10 | 28V C.T. @ 360ma | 14V @ 720ma |
| 161H28 | 160H28 | 24 | 28V C.T. @ 800ma | 14V @ 1.6A |
| 161D34 | 160D34 | 1 | 34V C.T. @ 25ma | 17V @ 50ma |
| 161E34 | 160E34 | 1.2 | 34V C.T. @ 35ma | 17V @ 70ma |
| 161F34 | 160F34 | 4.4 | 34V C.T. @ 125ma | 17V @ 250ma |
| 161G34 | 160G34 | 10 | 34V C.T. @ 300ma | 17V @ 600ma |
| 161H34 | 160H34 | 24 | 34V C.T. @ 700ma | 17V @ 1.4A |
| 161D40 | 160D40 | 1 | 40V C.T. @ 20ma | 20V @ 40ma |
| 161E40 | 160E40 | 1.2 | 40V C.T. @ 30ma | 20V @ 60ma |
| 161F40 | 160F40 | 4.4 | 40V C.T. @ 110ma | 20V @ 220ma |
| 161G40 | 160G40 | 10 | 40V C.T. @ 250ma | 20V @ 500ma |
| 161H40 | 160H40 | 24 | 40V C.T. @ 600ma | 20V @ 1.2A |
| 161D56 | 160D56 | 1 | 56V C.T. @ 15ma | 28V @ 30ma |
| 161E56 | 160E56 | 1.2 | 56V C.T. @ 20ma | 28V @ 40ma |
| 161F56 | 160F56 | 4.4 | 56V C.T. @ 80ma | 28V @ 160ma |
| 161G56 | 160G56 | 10 | 56V C.T. @ 180ma | 28V @ 360ma |
| 161H56 | 160H56 | 24 | 56V C.T. @ 420ma | 28V @ 840ma |
| 161D120 | 160D120 | 1 | 120V C.T. @ 8ma | 60V @ 16ma |
| 161E120 | 160E120 | 1.2 | 120V C.T. @ 10ma | 60V @ 20ma |
| 161F120 | 160F120 | 4.4 | 120V C.T. @ 35ma | 60V @ 70ma |
| 161G120 | 160G120 | 10 | 120V C.T. @ 85ma | 60V @ 170ma |
| 161H120 | 160H120 | 24 | 120V C.T. @ 200ma | 60V @ 400ma |



CANADA
Guelph, Ontario (519) 822-2960
St. Laurent, Quebec (514) 343-9010
USA
Cheektowaga, NY (716) 630-7030

www.hammondmfg.com



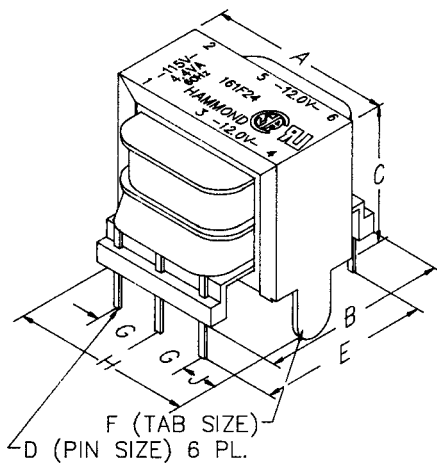
EUROPE
Basingstoke, UK 01256 812812

AUSTRALIA
Queenstown, Australia 61-8-8240-2244

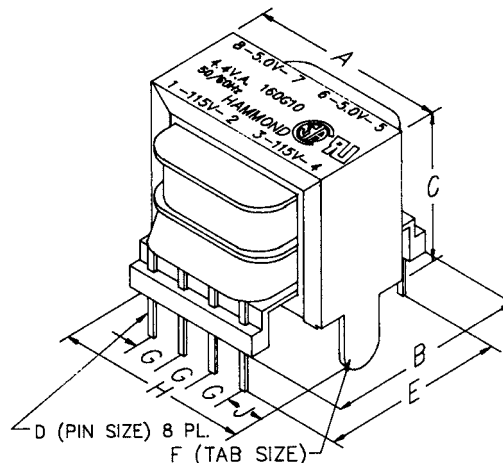
Low Voltage - P.C. Board Mount (160/161 Series)

Power

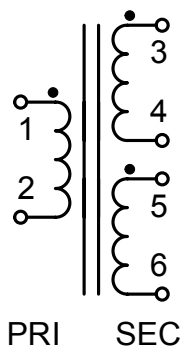
Single Primary - 161 Series



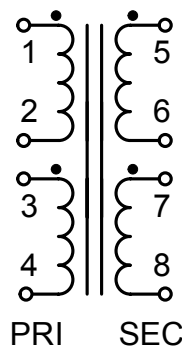
Dual Primary - 160 Series



Single Primary - 161 Series Schematic



Dual Primary - 160 Series Schematic



Single Primary - Dimension Table

| (VA) Size | Dimensions (Inches) | | | | | | | | | |
|-----------|---------------------|------|------|-------------|------|------------|------|------|------|--|
| | A | B | C | D | E | F | G | H | J | |
| 0.5 | 1.00 | 0.94 | 0.84 | 0.25 sq. | 0.78 | N/A | 0.20 | N/A | N/A | |
| 1 | 1.00 | 1.38 | 0.83 | .018 x .041 | 1.20 | N/A | 0.20 | N/A | N/A | |
| 1.2 | 1.38 | 1.19 | 1.22 | .018 x .041 | 1.00 | N/A | 0.31 | N/A | N/A | |
| 4.4 | 1.69 | 1.25 | 1.45 | .018 x .041 | 1.10 | .125 x .03 | 0.40 | 1.67 | 0.44 | |
| 10 | 1.94 | 1.44 | 1.69 | .018 x .041 | 1.30 | .188 x .03 | 0.40 | 1.89 | 0.55 | |
| 24 | 1.63 | 2.25 | 1.38 | .018 x .041 | 2.10 | N/A | 0.40 | N/A | N/A | |

Dual Primary - Dimension Table

| (VA) Size | Dimensions (Inches) | | | | | | | | | |
|-----------|---------------------|------|------|-------------|------|------------|------|------|------|--|
| | A | B | C | D | E | F | G | H | J | |
| 1 | 1.00 | 1.38 | 0.83 | .018 x .041 | 1.20 | N/A | 0.20 | N/A | N/A | |
| 1.2 | 1.38 | 1.19 | 1.22 | .018 x .041 | 1.00 | N/A | 0.20 | N/A | N/A | |
| 4.4 | 1.69 | 1.25 | 1.45 | .018 x .041 | 1.10 | .125 x .03 | 0.25 | 1.67 | 0.46 | |
| 10 | 1.94 | 1.44 | 1.69 | .018 x .041 | 1.30 | .188 x .03 | 0.25 | 1.89 | 0.57 | |
| 24 | 1.63 | 2.25 | 1.38 | .018 x .041 | 2.10 | N/A | 0.25 | N/A | N/A | |

EUROPE

Basingstoke, UK 01256 812812

AUSTRALIA

Queenstown, Australia 61-8-8240-2244

www.hammondmfg.com



CANADA

Guelph, Ontario (519) 822-2960
St. Laurent, Quebec (514) 343-9010

USA

Cheektowaga, NY (716) 630-7030



Данный компонент на территории Российской Федерации

Вы можете приобрести в компании MosChip.

Для оперативного оформления запроса Вам необходимо перейти по данной ссылке:

<http://moschip.ru/get-element>

Вы можете разместить у нас заказ для любого Вашего проекта, будь то серийное производство или разработка единичного прибора.

В нашем ассортименте представлены ведущие мировые производители активных и пассивных электронных компонентов.

Нашей специализацией является поставка электронной компонентной базы двойного назначения, продукции таких производителей как XILINX, Intel (ex.ALTERA), Vicor, Microchip, Texas Instruments, Analog Devices, Mini-Circuits, Amphenol, Glenair.

Сотрудничество с глобальными дистрибьюторами электронных компонентов, предоставляет возможность заказывать и получать с международных складов практически любой перечень компонентов в оптимальные для Вас сроки.

На всех этапах разработки и производства наши партнеры могут получить квалифицированную поддержку опытных инженеров.

Система менеджмента качества компании отвечает требованиям в соответствии с ГОСТ Р ИСО 9001, ГОСТ РВ 0015-002 и ЭС РД 009

Офис по работе с юридическими лицами:

105318, г.Москва, ул.Щербаковская д.3, офис 1107, 1118, ДЦ «Щербаковский»

Телефон: +7 495 668-12-70 (многоканальный)

Факс: +7 495 668-12-70 (доб.304)

E-mail: info@moschip.ru

Skype отдела продаж:

moschip.ru

moschip.ru_4

moschip.ru_6

moschip.ru_9