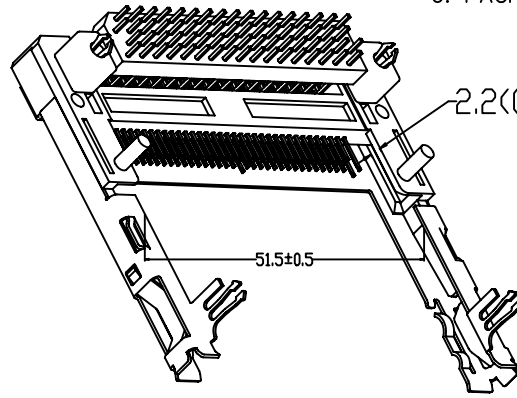
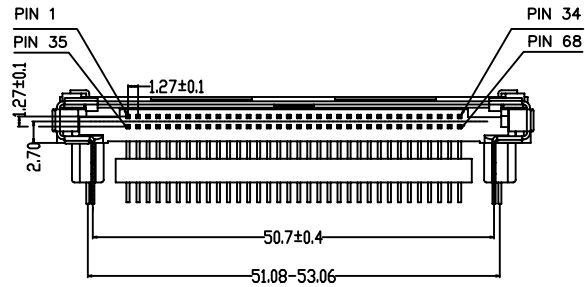
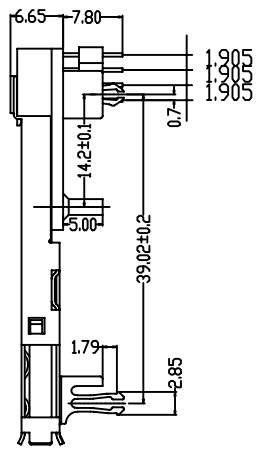
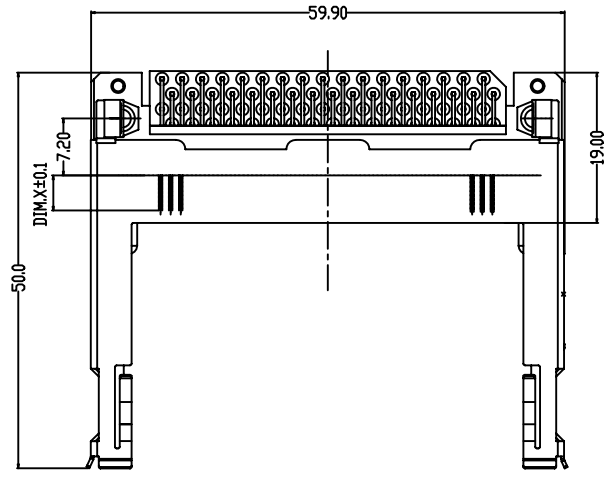


FCI CONFIDENTIAL

PRODUCT NO.

10067972-050LF



NOTES:

- 1. MATERIAL
 - 1.1 HEADER ASS'Y:
 - PLASTIC : HOUSING ... PLASTIC UL94V-0 BLACK
 - PIN : COPPER ALLOY
 - COVER PLATE : STAINLESS
 - PLATING (AT HOLD DOWN AREA): BRIGHT PURE
 - TIN 2.54uM Min OVER 0.508uM Ni Min
 - HOLDDOWN : COPPER ALLOY
 - PLATING: BRIGHT PURE TIN 2.54uM Min OVER 0.508uM Ni Min

- 2. FINISH (PIN)
 - UNDER PLATING : 1.27uM MIN. Ni
 - CONTACT AREA : 0.25 uM MIN. GOLD OVER
 - SOLDER TAIL : 2.5 uM MIN. PURE TIN

3. DIM "X"

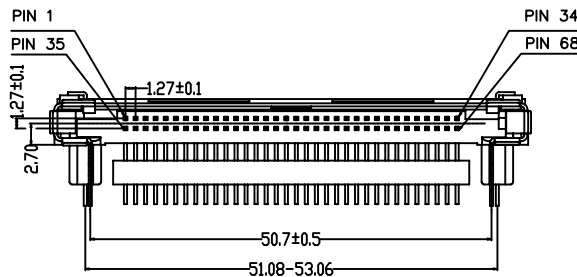
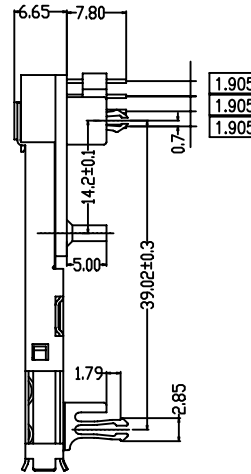
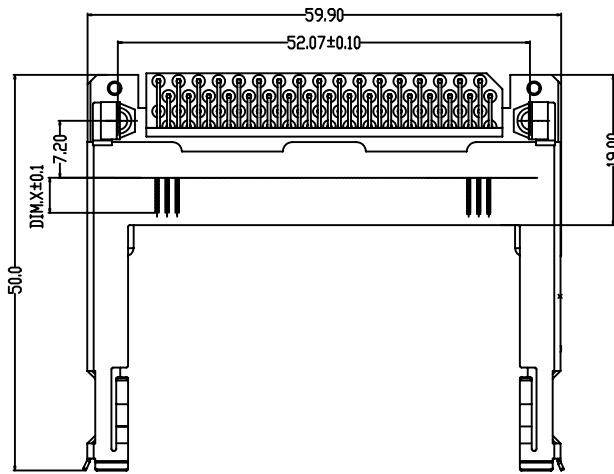
4.25±0.1	3.5±0.1	5.0±0.1
OTHERS	36,67	1,17,34,35,51,68

- 4. IF LEAD FREE P/N, THE HOUSING WILL WITHSTAND EXPOSURE TO 260° C PEAK TEMPERATURE FOR 10 SECONDS IN A WAVE SOLDER APPLICATION WITH A 1.60MM MINIMUM THICK CIRCUIT BOARD.
- 5. LEAD FREE PRODUCT MEETS EUROPEAN UNION DIRECTIVES AND OTHER COUNTRY REGULATIONS AS DISCRIBLED IN GS-22-008
- 6. PACKAGE MEETS GS-14-1090 SPECIFICATION

mat'l. code		surface		tolerance		projection		product family	
		ISO 1302		ISO 406 ISO 101				PCMCIA	
ltr	ecn no	dr	date	tolerances unless otherwise specified					
A	N06-0195	MZ	07/14/06	angles	linear	.X±0.5			title
B	N07-0009	MZ	01/09/07			.XX±0.15	MM		PCMCIA ASS'Y (3.3V)
C	N07-0209	MZ	11/12/07	±2'		.XXX±0.10	scale (1:1)		
D	N08-0099	MZ	05/21/08	dr	Mike Zhou	07/14/06			dwg no
E	N08-0160	MZ	08/03/08	engr	Mike Zhou	07/14/06			sheet 1 of 6 size
F	N08-0219	MZ	10/09/08	chr	Qin David	07/14/06			10067972
				appd	Wang Jack	07/14/06			A4
sheet	revision	F	F	F	F	F			
index	sheet	1	2	3	4	5			

This document is the property of and embodies CONFIDENTIAL and PROPRIETARY information of FCI. No part of the information shown on this document may be used in any way or disclosed to others without the written consent of FCI. Copyright FCI.

PRODUCT NO.
10067972-050MLF



NOTES:

1. MATERIAL

1.1 HEADER ASS'Y:

HOUSING: PBT, BLACK.

PIN : COPPER ALLOY.

COVER PLATE : SPCC.

PLATING: ALL AREA PLATING 150" NICKEL Min

HOLDDOWN : COPPER ALLOY

PLATING: BRIGHT PURE TIN 2.54uM Min
OVER 0.508uM NI Min

LOCATOR: PBT, BLACK.

2. FINISH (PIN)

UNDER PLATING : 1.27um MIN. Ni

CONTACT AREA : 0.075um MIN. GOLD OVER

SOLDER TAIL : 2.5 um MIN. PURE TIN

3. DIM "X"

4.25±0.1	3.5±0.1	5.0±0.1
OTHERS	36,67	1,17,34,35,51,68

4. IF LEAD FREE P/N, THE HOUSING WILL WITHSTAND EXPOSURE TO 260° C PEAK TEMPERATURE FOR 10 SECONDS IN A WAVE SOLDER APPLICATION WITH A 1.00MM MINIMUM THICK CIRCUIT BOARD.

5. LEAD FREE PRODUCT MEETS EUROPEAN UNION DIRECTIVES AND OTHER COUNTRY REGULATIONS AS DESCRIBED IN GS-22-008

6. IF LEAD FREE P/N, PACKAGE MEETS GS-14-1090 SPECIFICATION

mat'l. code		surface	tolerance	projection	product family
		ISO 1302	ISO 406 ISO 101		PCMCIA
ltr	ecn no	dr	date	tolerances unless otherwise specified	
F				title	
				PCMCIA ASS'Y (3.3V)	
				scale (1:1)	
		dr	Mike Zhou 07/14/06	sheet 2of 6 size	
		enr	Mike Zhou 07/14/06	10067972 A4	
		chr	Qin David 07/14/06	type CUSTOMER Drawing	
		appd	Wang Jack 07/14/06		
sheet	revision				
index	sheet				



This document is the property of and embodies CONFIDENTIAL and PROPRIETARY information of FCI. No part of the information shown on this document may be used in any way or disclosed to others without the written consent of FCI. Copyright FCI.

FCI CONFIDENTIAL

PRODUCT NO.
10067972-000LF

NOTES:

1. MATERIAL

1.1 HEADER ASS'Y:

PLASTIC : HOUSING ...PLASTIC UL94V-0 BLACK
 PIN : COPPER ALLOY
 FRONT HOLD DOWN: PHOSPHOR BRONZE.
 COVER PLATE : STAINLESS STEEL
 PLATING(ALL AREA): BRIGHT PURE

TIN 1.5uM Min [NOTE: MAKE SURE PLATING THICKNESS OF HOLD DOWN AREA MEETS THIS REQUEST, NOT CONTROL OTHER AREA]

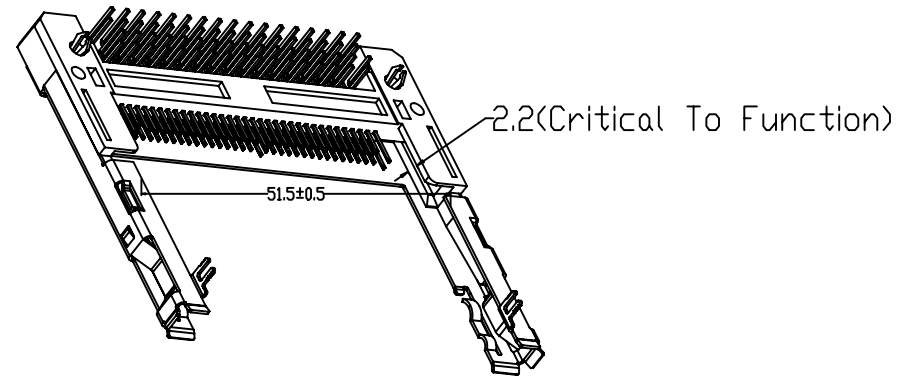
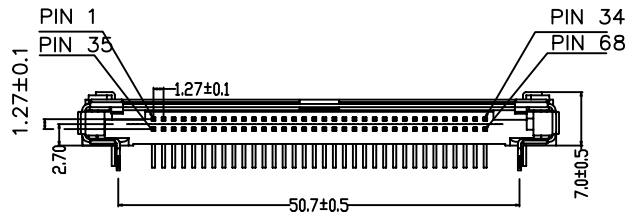
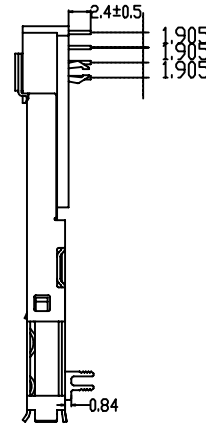
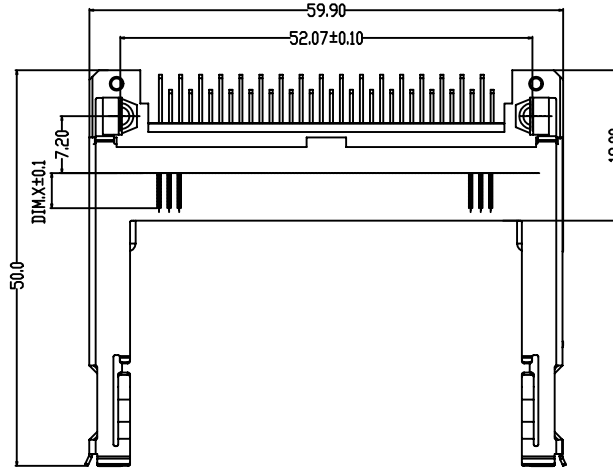
2. FINISH (PIN)

UNDER PLATING : 50u" MIN. Ni
 CONTACT AREA : 3u" MIN. GOLD OVER
 SOLDER TAIL : 100u" MIN. PURE TIN

3. DIM "X"

4.25±0.1	3.5±0.1	5.0±0.1
OTHERS	36,67	1,17,34,35,51,68

4. IF LEAD FREE P/N, THE HOUSING WILL WITHSTAND EXPOSURE TO 260° C PEAK TEMPERATURE FOR 10 SECONDS IN A WAVE SOLDER APPLICATION WITH A 1.2MM MINIMUM THICK CIRCUIT BOARD.
 5. LEAD FREE PRODUCT MEETS EUROPEAN UNION DIRECTIVES AND OTHER COUNTRY REGULATIONS AS DISCRIBLED IN GS-22-008
 6. PACKAGE MEETS GS-14-1090 SPECIFICATION



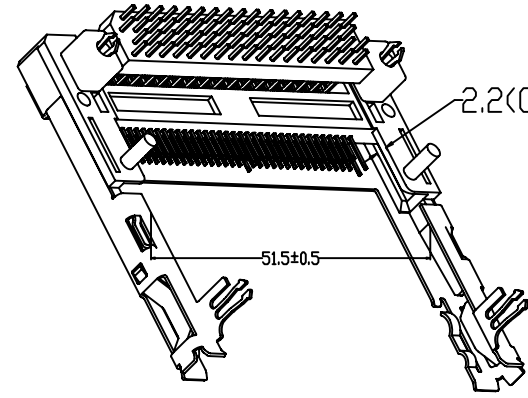
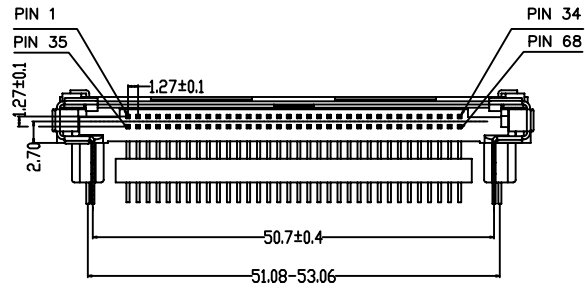
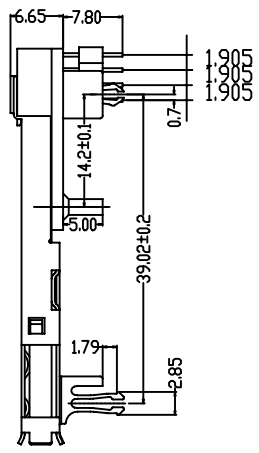
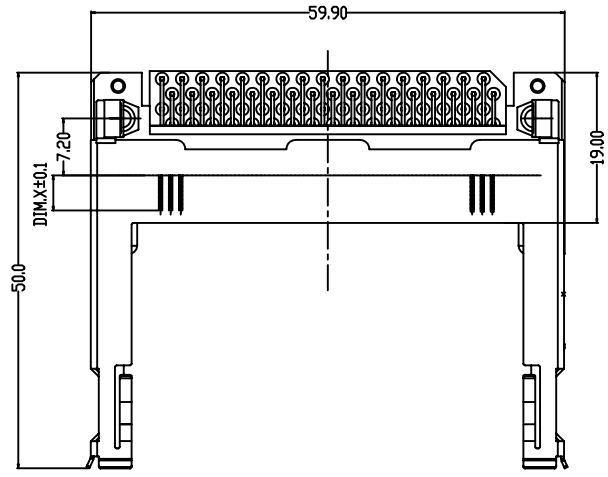
mat'l. code		surface		tolerance		projection		product family	
		ISO 1302		ISO 406 ISO 101		101		PCMCIA	
ltr		ecn no		dr		date		title	
E								PCMCIA ASS'Y (3.3V)	
				angles		linear		MM	
				±2'		.X±0.5 .XX±0.10 .XXX±0.05		scale (1:1)	
		dr		Mike Zhou		07/14/06		dwg no	
		enrg		Mike Zhou		07/14/06		sheet 3of 6 size	
		chr		Qin David		07/14/06		10067972 A4	
		appd		Wang Jack		07/14/06		type CUSTOMER Drawing	
sheet		revision							
index		sheet							

This document is the property of and embodies CONFIDENTIAL and PROPRIETARY information of FCI. No part of the information shown on this document may be used in any way or disclosed to others without the written consent of FCI. Copyright FCI.

FCI
FCIconnect.com

PRODUCT NO.

10067972-051LF



NOTES:

1. MATERIAL

1.1 HEADER ASS'Y:

PLASTIC : HOUSING ... PLASTIC UL94V-0 BLACK
 PIN : COPPER ALLOY
 COVER PLATE : STAINLESS
 PLATING(AT HOLD DOWN AREA): BRIGHT PURE
 TIN 2.54uM Min OVER 0.508uM Ni Min
 HOLDDOWN : COPPER ALLOY
 PLATING: BRIGHT PURE TIN 2.54uM Min
 OVER 0.508uM Ni Min

2. FINISH (PIN)

UNDER PLATING : 1.27uM MIN. Ni
 CONTACT AREA : 0.25 uM MIN. GOLD OVER
 SOLDER TAIL : 2.5 uM MIN. PURE TIN

3. DIM "X"

4.25±0.1	3.5±0.1	5.0±0.1
OTHERS	36,67	1,17,34,35,51,68

- 4. IF LEAD FREE P/N, THE HOUSING WILL WITHSTAND EXPOSURE TO 260° C PEAK TEMPERATURE FOR 10 SECONDS IN A WAVE SOLDER APPLICATION WITH A 1.20MM MINIMUM THICK CIRCUIT BOARD.
- 5. LEAD FREE PRODUCT MEETS EUROPEAN UNION DIRECTIVES AND OTHER COUNTRY REGULATIONS AS DISCRIBLED IN GS-22-008
- 6. PACKAGE MEETS GS-14-1090 SPECIFICATION

mat'l. code		surface ISO 1302		tolerance ISO 406 ISO 101		projection 101		product family PCMCIA	
ltr	ecn no	dr	date	tolerances unless otherwise specified					
F				angles	linear	.X±0.5	.XX±0.15	.XXX±0.10	title PCMCIA ASS'Y (3.3V) REV.B
				±2'				scale (1:1)	dwg no 10067972 sheet 4of 6 size A4
		dr	Mike Zhou	07/14/06	FCI		type CUSTOMER Drawing		
		enr	Mike Zhou	07/14/06					
		chr	Qin David	07/14/06					
		appd	Wang Jack	07/14/06					
sheet	revision								
index	sheet								

FCI CONFIDENTIAL

FCI
FCIconnect.com

This document is the property of and embodies CONFIDENTIAL and PROPRIETARY information of FCI. No part of the information shown on this document may be used in any way or disclosed to others without the written consent of FCI. Copyright FCI.

1

2 3

4

5

6

PRODUCT NO.

10067972-050LF/050MLF

PIN 1
PIN 35
PIN 34
PIN 68
Ø2.3±0.1 (2X)
Ø1.0±0.1
Ø0.15 (M)
5.08
Ø2.5±0.1 (2X)
1.905
0.70±0.05
14.20
1.27 TYP.
41.91
39.02±0.1
ESD PAD
(BE CONNECTED WITH FG)
7.0
3.0
Ø2.3±0.05 (2X)
50.7±0.1

4 CARD INSERTION DIRECTION
RECOMMENDED FOOT PRINT(MOUNTED SIDE)

mat'l. code		surface		tolerance		projection		product family	
		ISO 1302		ISO 406 ISO 1101				PCMCIA	
ltr		ecm no		dr		date		title	
F								PCMCIA ASS'Y (3.3V)	
		angles		linear					
		±2'		.X±0.5 .XX±0.15 .XXX±0.10		scale 1:1			
		dr		Mike Zhou		07/14/06		dwg no	
		enrg		Mike Zhou		07/14/06		sheet 5of 6 size	
		chr		Qin David		07/14/06		10067972 A4	
		appd		Wang Jack		07/14/06		type CUSTOMER Drawing	
sheet		revision							
index		sheet							

This document is the property of and embodies CONFIDENTIAL and PROPRIETARY information of FCI. No part of the information shown on this document may be used in any way or disclosed to others without the written consent of FCI.
Copyright FCI

FCI CONFIDENTIAL

FCIconnect.com

form: A3

PDM! Rev:F

STATUS: Released

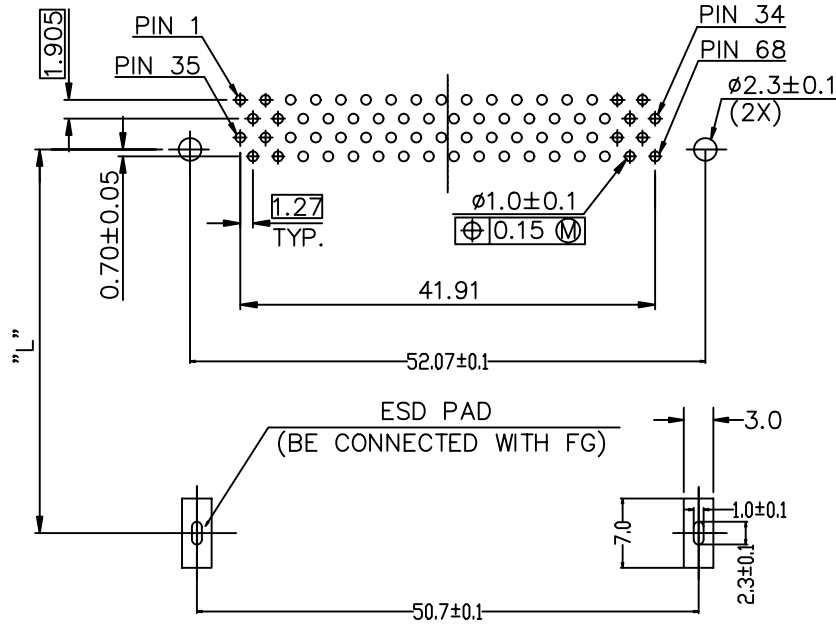
Printed: Dec 12, 2008

6

PRODUCT NO.

10067972-000LF

FCI CONFIDENTIAL



4 CARD INSERTION DIRECTION
RECOMMENDED FOOT PRINT(MOUNTED SIDE)

This document is the property of and embodies CONFIDENTIAL and PROPRIETARY information of FCI. No part of the information shown on this document may be used in any way or disclosed to others without the written consent of FCI. Copyright FCI.

mat'l. code		surface		tolerance		projection		product family	
		ISO 1302		ISO 406 ISO 1101				PCMCIA	
ltr		ecm no		dr		date		title	
F								PCMCIA ASS'Y (3.3V)	
		angles		linear		MM		dwg no	
		±2'		.X±0.5 .XX±0.15 .XXX±0.10		scale 1:1		sheet 6of 6 size	
		dr		Mike Zhou		07/14/06		10067972	
		enr		Mike Zhou		07/14/06		A4	
		chr		Qin David		07/14/06		type	
		appd		Wang Jack		07/14/06		CUSTOMER Drawing	
sheet		revision							
index		sheet							



Данный компонент на территории Российской Федерации

Вы можете приобрести в компании MosChip.

Для оперативного оформления запроса Вам необходимо перейти по данной ссылке:

<http://moschip.ru/get-element>

Вы можете разместить у нас заказ для любого Вашего проекта, будь то серийное производство или разработка единичного прибора.

В нашем ассортименте представлены ведущие мировые производители активных и пассивных электронных компонентов.

Нашей специализацией является поставка электронной компонентной базы двойного назначения, продукции таких производителей как XILINX, Intel (ex.ALTERA), Vicor, Microchip, Texas Instruments, Analog Devices, Mini-Circuits, Amphenol, Glenair.

Сотрудничество с глобальными дистрибьюторами электронных компонентов, предоставляет возможность заказывать и получать с международных складов практически любой перечень компонентов в оптимальные для Вас сроки.

На всех этапах разработки и производства наши партнеры могут получить квалифицированную поддержку опытных инженеров.

Система менеджмента качества компании отвечает требованиям в соответствии с ГОСТ Р ИСО 9001, ГОСТ РВ 0015-002 и ЭС РД 009

Офис по работе с юридическими лицами:

105318, г.Москва, ул.Щербаковская д.3, офис 1107, 1118, ДЦ «Щербаковский»

Телефон: +7 495 668-12-70 (многоканальный)

Факс: +7 495 668-12-70 (доб.304)

E-mail: info@moschip.ru

Skype отдела продаж:

moschip.ru

moschip.ru_4

moschip.ru_6

moschip.ru_9