



Main

| | |
|-------------------------------|------------------------|
| Range of product | Harmony XB6E |
| Product or component type | Monolithic pilot light |
| Device short name | XB6E |
| Bezel material | Plastic |
| Mounting diameter | 0.63 in (16 mm) |
| Sale per indivisible quantity | 5 |
| Shape of signaling unit head | Round |
| Cap/operator or lens colour | Blue |
| Light source | Integral LED |
| Light block supply | Direct |
| [Us] rated supply voltage | 12 V DC polarised |

Complementary

| | |
|--|---|
| Product weight | 0.01 lb(US) (0.006 kg) |
| Overvoltage category | II conforming to IEC 60536 |
| Operating position | Any position |
| Marking | CE |
| Connections - terminals | Fast connector socket Solder terminal, clamping connection $\leq 0.75 \text{ mm}^2$ / AWG 19 min Insulated faston: 2.8 x 0.5 mm |
| Tightening torque | 5.31...8.85 lbf.in (0.6...1 N.m) |
| [Ui] rated insulation voltage | 250 V (degree of pollution: 3) conforming to IEC 60947-1 |
| [Uimp] rated impulse withstand voltage | 2.5 kV conforming to IEC 60947-1 |
| Signalling type | Steady |
| Current consumption | 10 mA |
| Service life | 30000 h |

Environment

| | |
|---------------------------------------|---|
| ambient air temperature for storage | -40...158 °F (-40...70 °C) |
| ambient air temperature for operation | 14...131 °F (-10...55 °C) |
| IP degree of protection | IP65 conforming to IEC 60529 |
| standards | IEC 60947-1 IEC 60947-5-1 IEC 60947-5-5 JIS C 4520 JIS C 852 CSA C22.2 No 14 |
| product certifications | CCC CURus |
| vibration resistance | 1 mm (10...55 Hz) conforming to IEC 60068-2-6 |
| shock resistance | 10 gn (duration = 11 ms) half sine wave acceleration conforming to IEC 60068-2-27 |

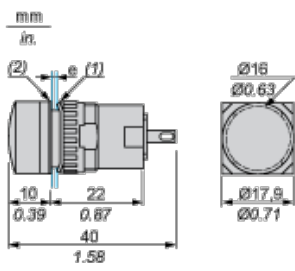
Offer Sustainability

| | |
|--|--|
| WARNING: This product can expose you to chemicals including: | WARNING: This product can expose you to chemicals including: |
| Nickel compounds, which is known to the State of California to cause cancer, and | Nickel compounds, which is known to the State of California to cause cancer, and |
| Di-isodecyl phthalate (DIDP), which is known to the State of California to cause birth defects or other reproductive harm. | Di-isodecyl phthalate (DIDP), which is known to the State of California to cause birth defects or other reproductive harm. |
| For more information go to www.p65warnings.ca.gov | For more information go to www.p65warnings.ca.gov |

The information provided in this documentation contains general descriptions and/or technical characteristics of the performance of the products contained herein. This documentation is not intended as a substitute for and is not to be used for determining suitability or reliability of these products for specific user applications. It is the duty of any such user or integrator to perform the appropriate and complete risk analysis, evaluation and testing of the products with respect to the relevant specific application or use thereof. Neither Schneider Electric Industries SAS nor any of its affiliates or subsidiaries shall be responsible or liable for misuse of the information contained herein.

Pilot Light

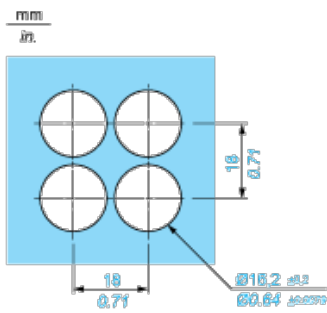
Circular Head



- (1) Anti-rotation plate (thickness: 0.6 mm / 0.02 in.)
- (2) Seal (thickness: 0.5 mm / 0.01 in.)
- e panel thickness: 0.5 mm (0.01 in.) ≤ e ≤ 6 mm (0.24 in.)

Panel Cut-Out and Mounting

Circular or Square Head



Данный компонент на территории Российской Федерации

Вы можете приобрести в компании MosChip.

Для оперативного оформления запроса Вам необходимо перейти по данной ссылке:

<http://moschip.ru/get-element>

Вы можете разместить у нас заказ для любого Вашего проекта, будь то серийное производство или разработка единичного прибора.

В нашем ассортименте представлены ведущие мировые производители активных и пассивных электронных компонентов.

Нашей специализацией является поставка электронной компонентной базы двойного назначения, продукции таких производителей как XILINX, Intel (ex.ALTERA), Vicor, Microchip, Texas Instruments, Analog Devices, Mini-Circuits, Amphenol, Glenair.

Сотрудничество с глобальными дистрибьюторами электронных компонентов, предоставляет возможность заказывать и получать с международных складов практически любой перечень компонентов в оптимальные для Вас сроки.

На всех этапах разработки и производства наши партнеры могут получить квалифицированную поддержку опытных инженеров.

Система менеджмента качества компании отвечает требованиям в соответствии с ГОСТ Р ИСО 9001, ГОСТ РВ 0015-002 и ЭС РД 009

Офис по работе с юридическими лицами:

105318, г.Москва, ул.Щербаковская д.3, офис 1107, 1118, ДЦ «Щербаковский»

Телефон: +7 495 668-12-70 (многоканальный)

Факс: +7 495 668-12-70 (доб.304)

E-mail: info@moschip.ru

Skype отдела продаж:

moschip.ru

moschip.ru_4

moschip.ru_6

moschip.ru_9