

THIS DRAWING IS UNPUBLISHED.

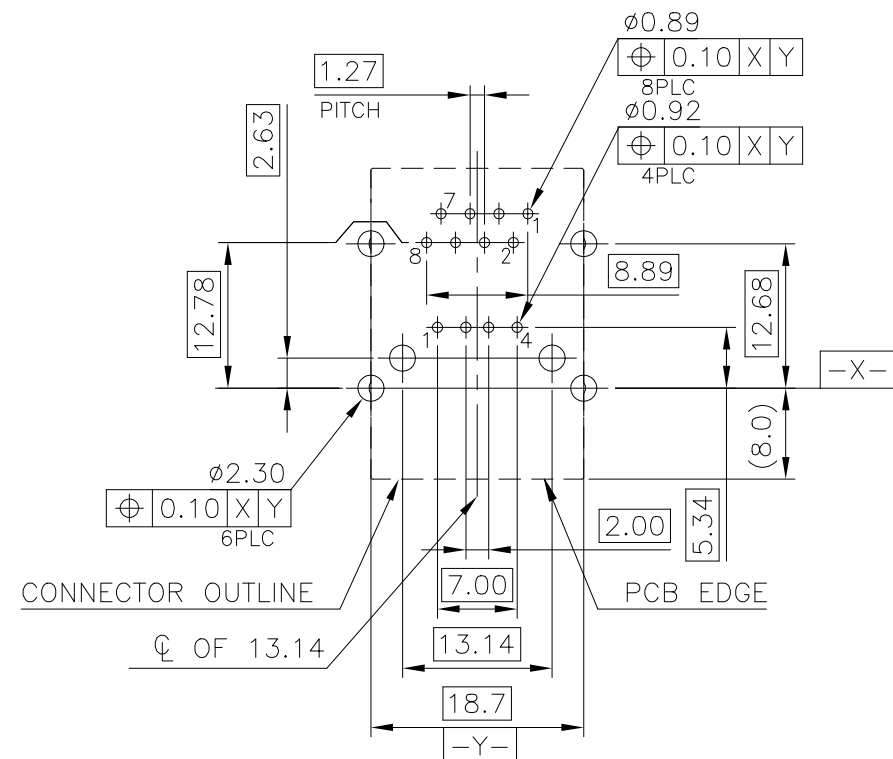
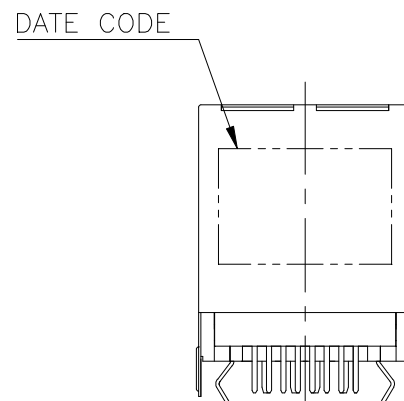
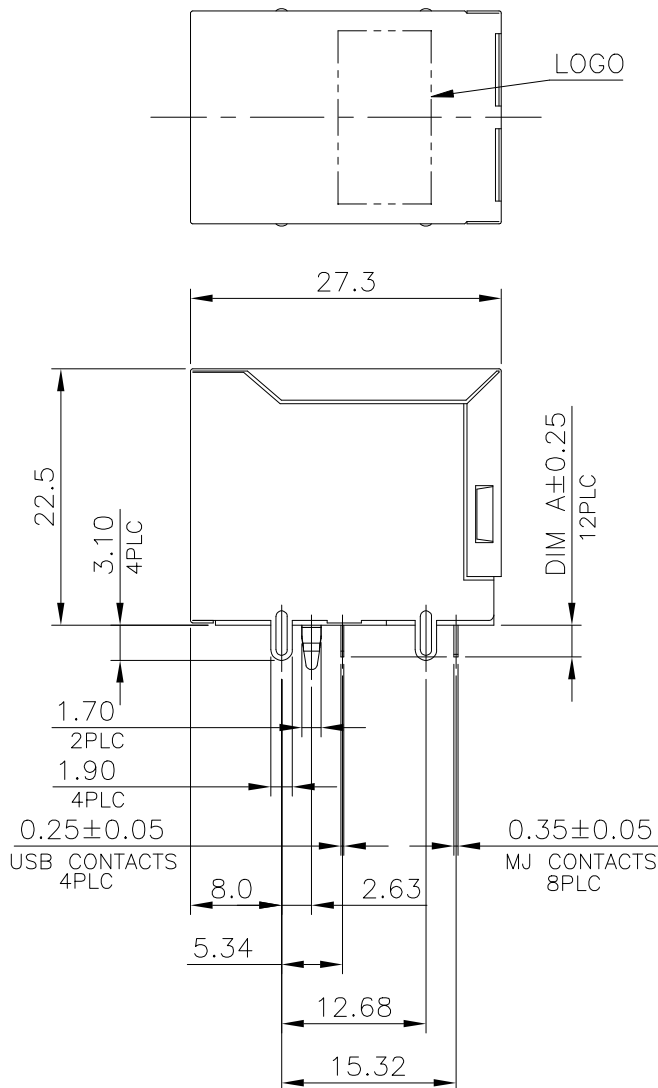
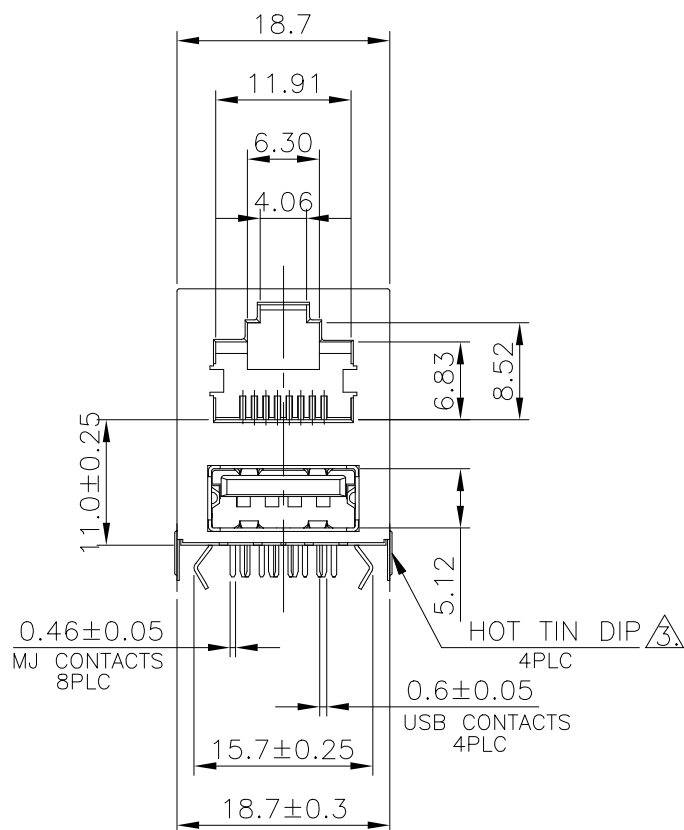
RELEASED FOR PUBLICATION

© COPYRIGHT - TE Connectivity Ltd.

ALL RIGHTS RESERVED.

REVISIONS

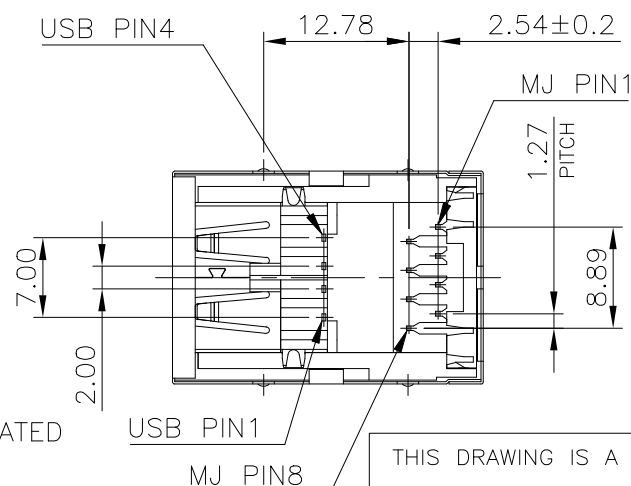
P	LTR	DESCRIPTION	DATE	DWN	APVD
E		REVISE PER ECO-18-001534	30JAN2018	LL	SH



RECOMMENDED PCB LAYOUT
 RECOMMENDED PCB THICKNESS: 1.6mm
 TOLERANCE: ±0.05 (TOP VIEW)

NOTE:

- MATERIAL:
 - MJ HOUSING: PBT, WITH 30% GF, UL94 V-0, COLOR: SEE TABLE.
 - MJ CONTACTS: PHOSPHOR BRONZE.
 - MJ SHIELD: BRASS.
 - USB HOUSING: PBT, UL94 V-0, COLOR: SEE TABLE.
 - USB CONTACTS: BRASS.
 - USB SHIELD: SPCC.
- FINISH:
 - MJ CONTACTS: SELECTIVE GOLD PLATED (SEE TABLE) ON CONTACT AREA, GOLD FLASH ON SOLDER TAILS, 1.27um [50u"] MIN. NICKEL UNDERPLATED OVERALL.
 - MJ SHIELD: 0.508um [20u"] MIN. NICKEL PLATED.
 - USB CONTACT: SELECTIVE GOLD PLATED (SEE TABLE) ON CONTACT AREA, 2.54um [100u"] MIN. BRIGHT-TIN PLATED ON SOLDER TAILS, 1.27um [50u"] MIN. NICKEL UNDERPLATED OVERALL.
 - USB SHIELD: 2.032um [80u"] MIN. NICKEL PLATED.
- HOT TIN DIP ON SHELL'S LEGS.
- WAVE SOLDER CAPABLE TO 265°C PER TE CONNECTIVITY SPEC. 109-202, CONDITION B.
- RJ45 CAVITY CONFIRMS TO FCC RULES AND REGULATIONS PART 68, SUBPART F.



OBSOLETE	12.61	WITHOUT HTD	2.8	BLACK	0.762um [30u"]	3-1775855-1
		WITHOUT HTD	2.6	COOL GRAY 1C	GOLD FLASH	2-1775855-2
		WITH HTD	2.6	BLACK	GOLD FLASH	1775855-3
			2.8	GOOL GRAY 1C	GOLD FLASH	1775855-2
				BLACK	GOLD FLASH	1775855-1
WEIGHT (gram)	HOT TIN DIP ON SHELL'S LEGS	DIM A	HOUSING COLOR	MIN. GOLD THICKNESS	PART NUMBER	

THIS DRAWING IS A CONTROLLED DOCUMENT.

DIMENSIONS: mm	TOLERANCES UNLESS OTHERWISE SPECIFIED:	DWN B. HSING 12JUN2009	TE Connectivity Ltd. NAME: MODULAR JACK, RJ45, STACKED OVER, USB CONN., DIP TYPE
	0 PLC ± -	CHK S. CHIEN 12JUN2009	
	1 PLC ± 0.3	APVD W. KODAMA 12JUN2009	
	2 PLC ± 0.2	PRODUCT SPEC 108-57802	
MATERIAL SEE TABEL	FINISH -	APPLICATION SPEC -	SIZE: A3 CAGE CODE: 00779 DRAWING NO: 1775855 RESTRICTED TO: - SCALE: 1:1 SHEET: 1 of 5 REV: E

CUSTOMER DRAWING

THIS DRAWING IS UNPUBLISHED.

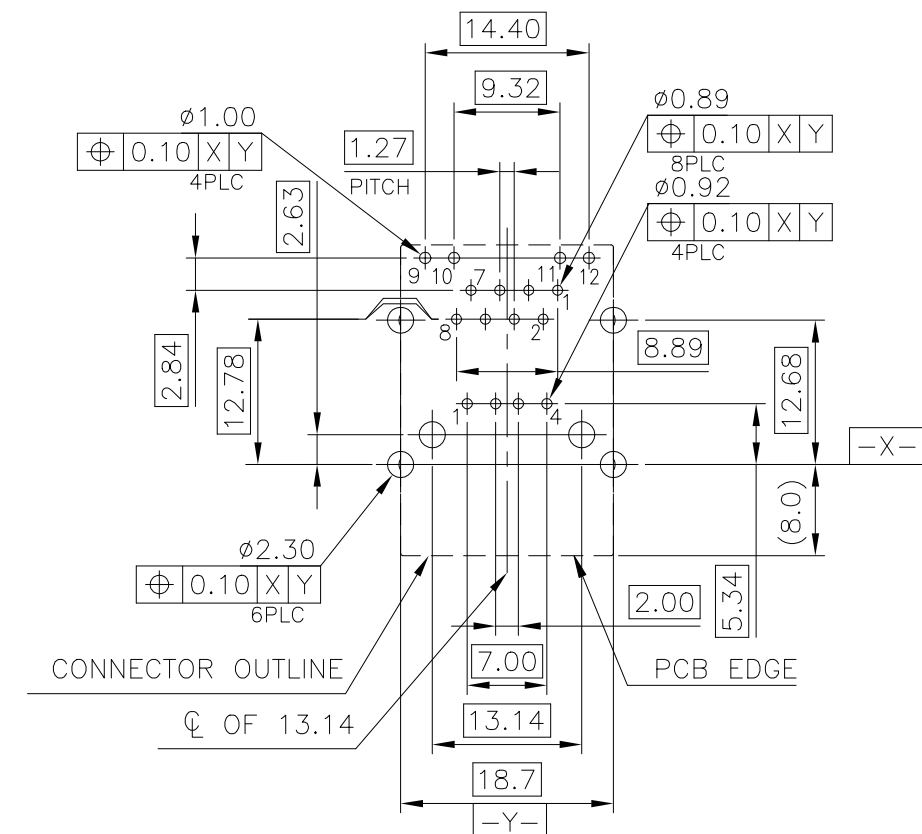
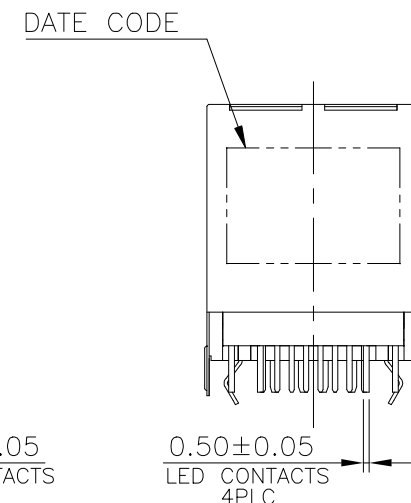
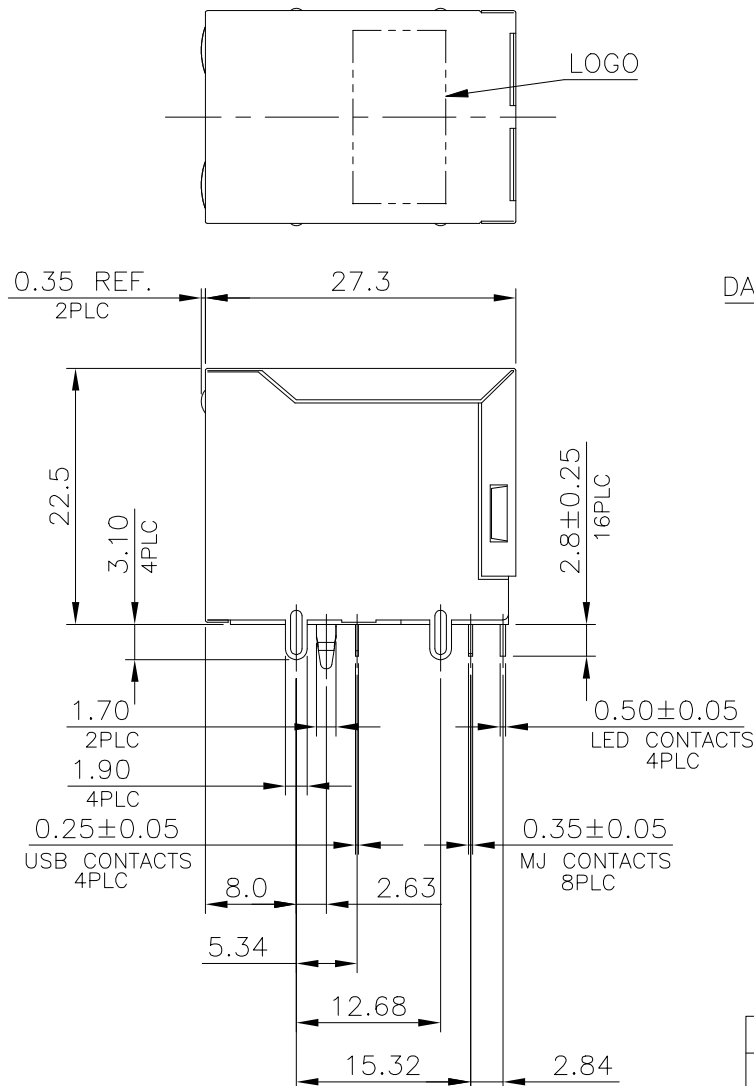
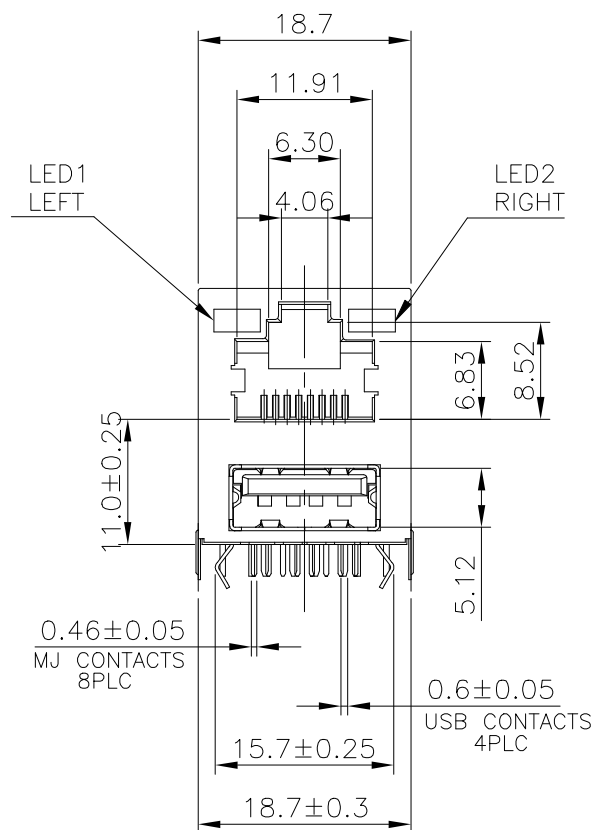
RELEASED FOR PUBLICATION

ALL RIGHTS RESERVED.

© COPYRIGHT - TE Connectivity Ltd.

REVISIONS

P	LTR	DESCRIPTION	DATE	DWN	APVD
-	-	SEE SHEET 1	-	-	-



RECOMMENDED PCB LAYOUT
 RECOMMENDED PCB THICKNESS: 1.6mm
 TOLERANCE: ±0.05 (TOP VIEW)

NOTE:

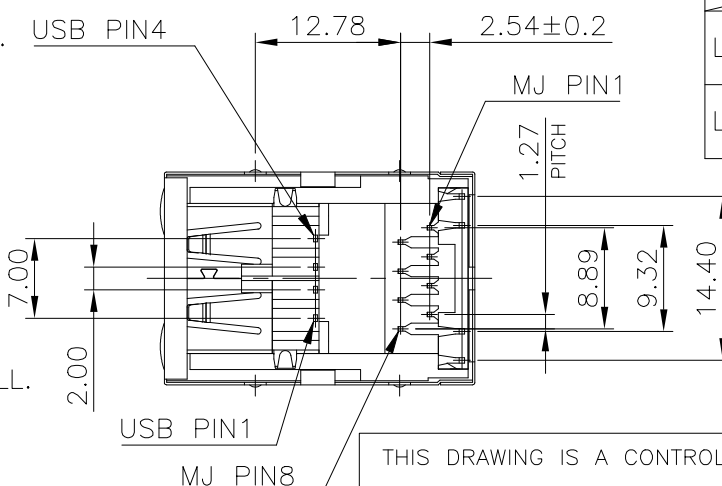
1. MATERIAL:

- 1.1 MJ HOUSING & LED COVER: PBT, WITH 30% GF, UL94V-0, BLACK COLOR.
- 1.2 MJ CONTACTS: PHOSPHOR BRONZE.
- 1.3 MJ SHIELD: BRASS.
- 1.4 LED SOLDER TAIL: EPOXY, STEEL.
- 1.5 USB HOUSING: PBT, UL94V-0, BLACK COLOR.
- 1.6 USB CONTACTS: BRASS.
- 1.7 USB SHIELD: SPCC.

2. FINISH:

- 2.1 MJ CONTACTS:
GOLD FLASH PLATED ON CONTACT AREA,
GOLD FLASH ON SOLDER TAILS,
1.27um [50u"] MIN. NICKEL UNDERPLATED OVERALL.
- 2.2 MJ SHIELD: 0.508um [20u"] MIN. NICKEL PLATED.
- 2.3 LED SOLDER TAIL:
1.02um [40u"] COPPER UNDERPLATED OVERALL.
1.27um [50u"] NICKEL OVERALL.
1.27um [50u"] SILVER ON BONDING AREA.
2.54um [100u"] BRIGHT-TIN ON SOLDER AREA.
- 2.4 USB CONTACT: GOLD FLASH PLATED ON CONTACT AREA,
2.54um [100u"] MIN. BRIGHT-TIN PLATED ON SOLDER TAILS,
1.27um [50u"] MIN. NICKEL UNDERPLATED OVERALL.
- 2.5 USB SHIELD: 2.032um [80u"] MIN. NICKEL PLATED.

- 3. WAVE SOLDER CAPABLE TO 265°C PER TE CONNECTIVITY SPEC.
109-202, CONDITION B.



FOR 4-1775855-1			
LED ELECTRICAL CHARACTERISTIC			
	NODE	COLOR	
LED LEFT	9(+)	10(-)	ORANGE 9-10
	9(-)	10(+)	GREEN 9-10
LED RIGHT	11(+)	12(-)	ORANGE 11-12
	11(-)	12(+)	GREEN 11-12

FOR 4-1775855-2			
LED ELECTRICAL CHARACTERISTIC			
	NODE	COLOR	
LED LEFT	9(+)	10(-)	GREEN 9-10
	9(-)	10(+)	ORANGE 9-10
LED RIGHT	11(+)	12(-)	GREEN 11-12
	11(-)	12(+)	ORANGE 11-12

13.11	GREEN/ORANGE	GREEN	4-1775855-2
	ORANGE/GREEN	ORANGE/GREEN	4-1775855-1
WEIGHT (gram)	LEFT	RIGHT	PART NUMBER
	LED COLORS		

THIS DRAWING IS A CONTROLLED DOCUMENT.		DWN	12JUN2009	 TE Connectivity Ltd.
		CHK	12JUN2009	
		APVD	12JUN2009	
		PRODUCT SPEC	108-57802	
DIMENSIONS: mm		TOLERANCES UNLESS OTHERWISE SPECIFIED:		NAME
		0 PLC ± - 1 PLC ± 0.3 2 PLC ± 0.2 3 PLC ± 0.15 4 PLC ± - ANGLES ± 3'		MODULAR JACK, RJ45, STACKED OVER, USB CONN., DIP TYPE
MATERIAL		FINISH		SIZE
SEE TABEL		-		A3
		CUSTOMER DRAWING		CAGE CODE
				00779
				DRAWING NO
				1775855
				RESTRICTED TO
				-
				SCALE
				1:1
				SHEET
				2 of 5
				REV
				E

THIS DRAWING IS UNPUBLISHED.

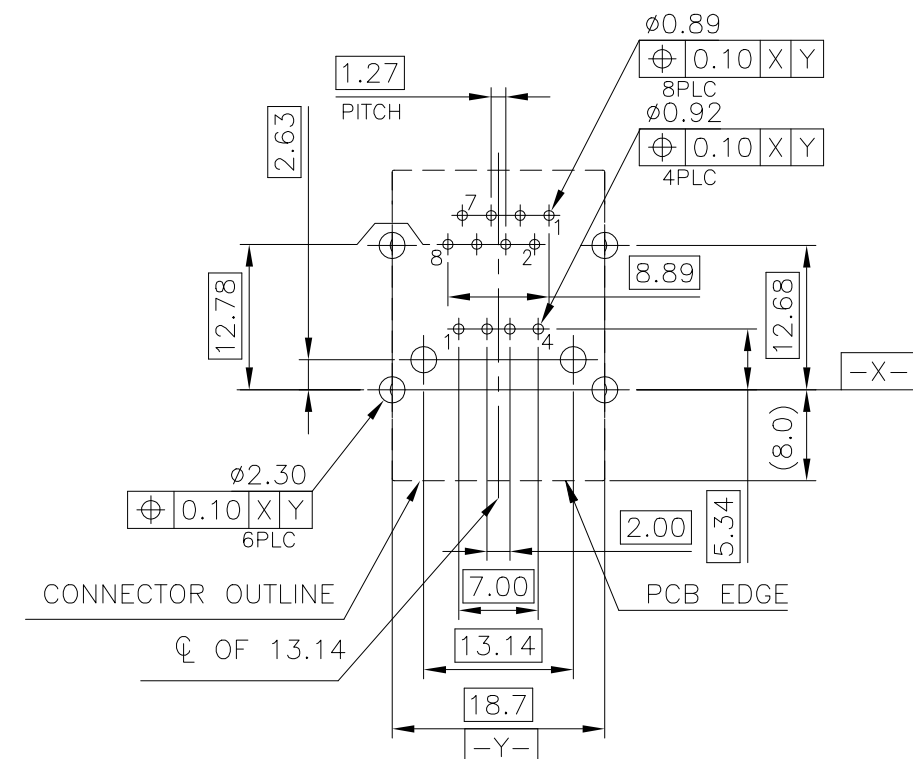
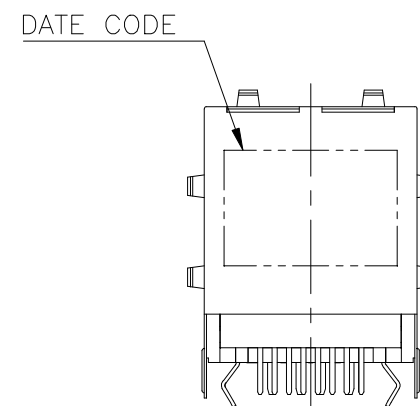
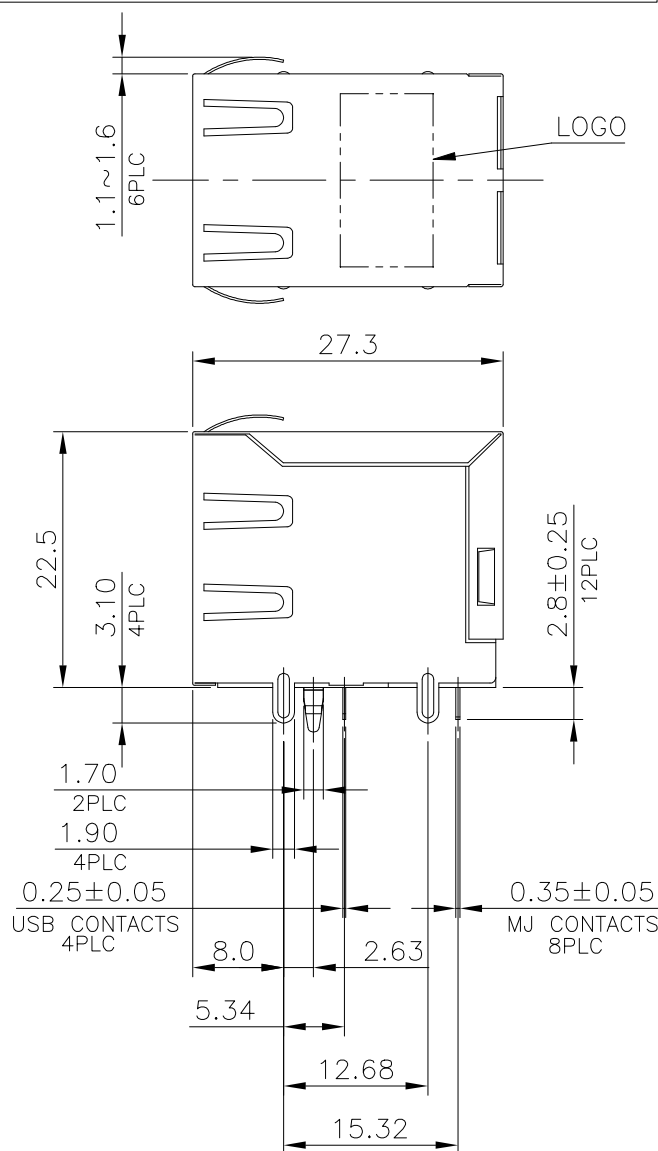
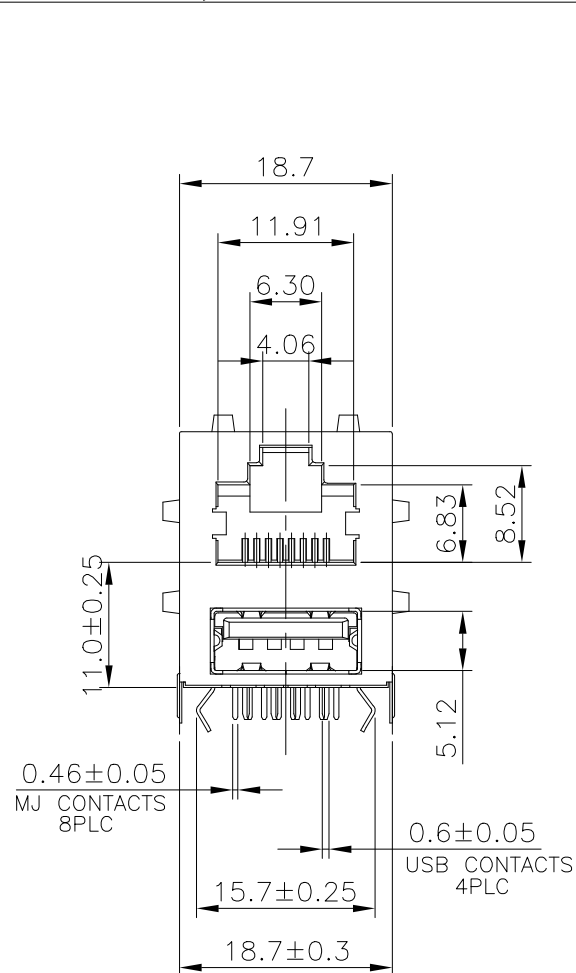
RELEASED FOR PUBLICATION

© COPYRIGHT - TE Connectivity Ltd.

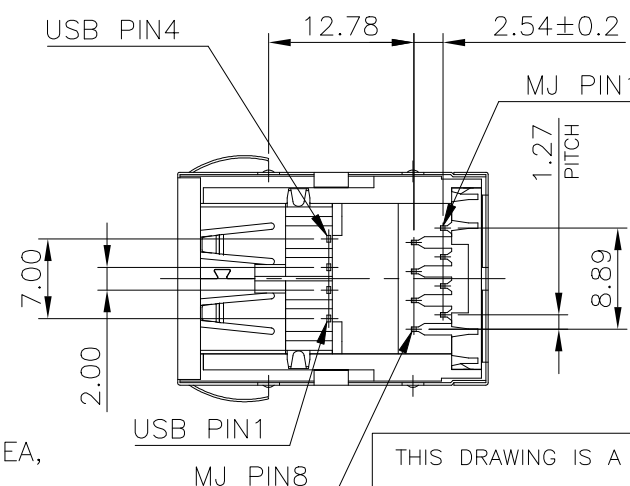
ALL RIGHTS RESERVED.

REVISIONS

P	LTR	DESCRIPTION	DATE	DWN	APVD
-	-	SEE SHEET 1	-	-	-



RECOMMENDED PCB LAYOUT
 RECOMMENDED PCB THICKNESS: 1.6mm
 TOLERANCE: ±0.05 (TOP VIEW)



NOTE:

- MATERIAL:
 - MJ HOUSING: PBT, WITH 30% GF, UL94V-0, COLOR: SEE TABLE.
 - MJ CONTACTS: PHOSPHOR BRONZE.
 - MJ SHIELD: BRASS.
 - USB HOUSING: PBT, UL94V-0, COLOR: SEE TABLE.
 - USB CONTACTS: BRASS.
 - USB SHIELD: SPCC.
- FINISH:
 - MJ CONTACTS: GOLD FLASH PLATED ON CONTACT AREA, GOLD FLASH ON SOLDER TAILS, 1.27um [50u"] MIN. NICKEL UNDERPLATED OVERALL.
 - MJ SHIELD: 0.508um [20u"] MIN. NICKEL PLATED.
 - USB CONTACT: GOLD FLASH PLATED ON CONTACT AREA, 2.54um [100u"] MIN. BRIGHT-TIN PLATED ON SOLDER TAILS, 1.27um [50u"] MIN. NICKEL UNDERPLATED OVERALL.
 - USB SHIELD: 2.032um [80u"] MIN. NICKEL PLATED.
- WAVE SOLDER CAPABLE TO 265°C PER TE CONNECTIVITY SPEC. 109-202, CONDITION B.

12.69	5-1775855-1
WEIGHT (gram)	PART NUMBER

THIS DRAWING IS A CONTROLLED DOCUMENT.		DWN	12JUN2009		TE Connectivity Ltd.
		CHK	12JUN2009		
		APVD	12JUN2009		
		PRODUCT SPEC	108-57802		
DIMENSIONS: mm		TOLERANCES UNLESS OTHERWISE SPECIFIED:		NAME	
		0 PLC ± -		MODULAR JACK, RJ45, STACKED OVER, USB CONN., DIP TYPE	
		1 PLC ± 0.3		-	
		2 PLC ± 0.2		SIZE	
		3 PLC ± 0.15		CAGE CODE	
		4 PLC ± -		DRAWING NO	
		ANGLES ± 3'		RESTRICTED TO	
MATERIAL		FINISH		A3 00779 C=1775855	
SEE TABEL		-		-	
CUSTOMER DRAWING				SCALE	1:1
				SHEET	3 of 5
				REV	E

THIS DRAWING IS UNPUBLISHED.

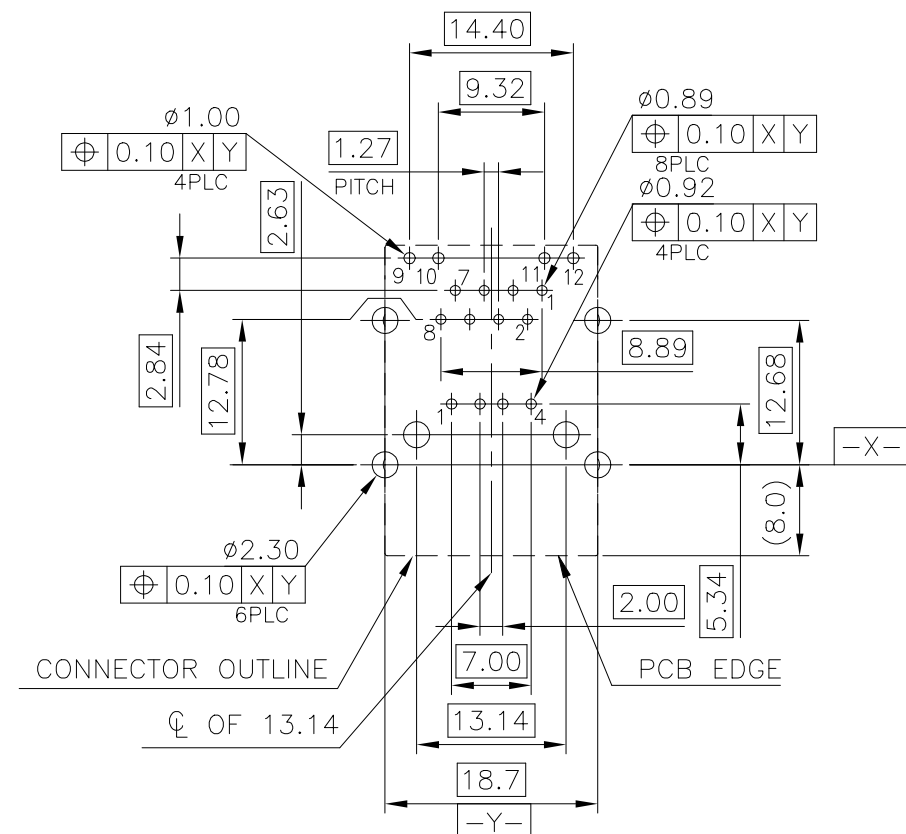
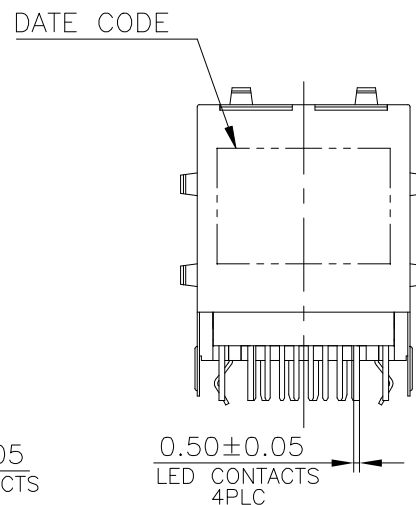
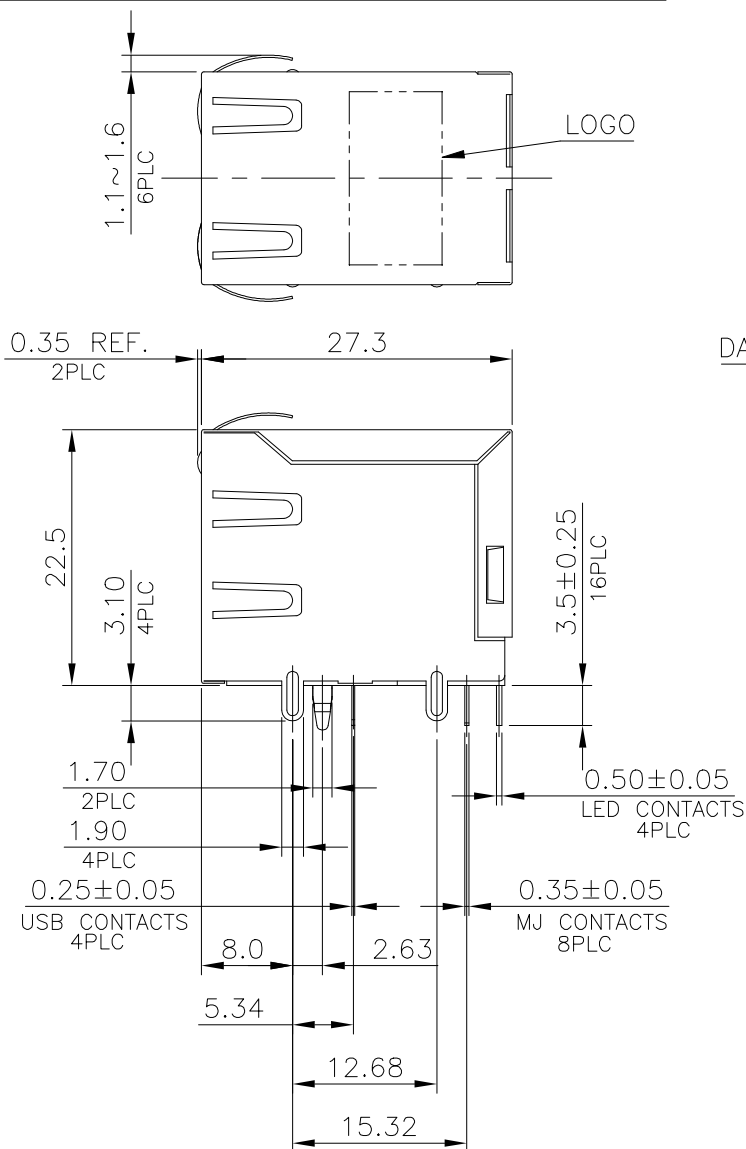
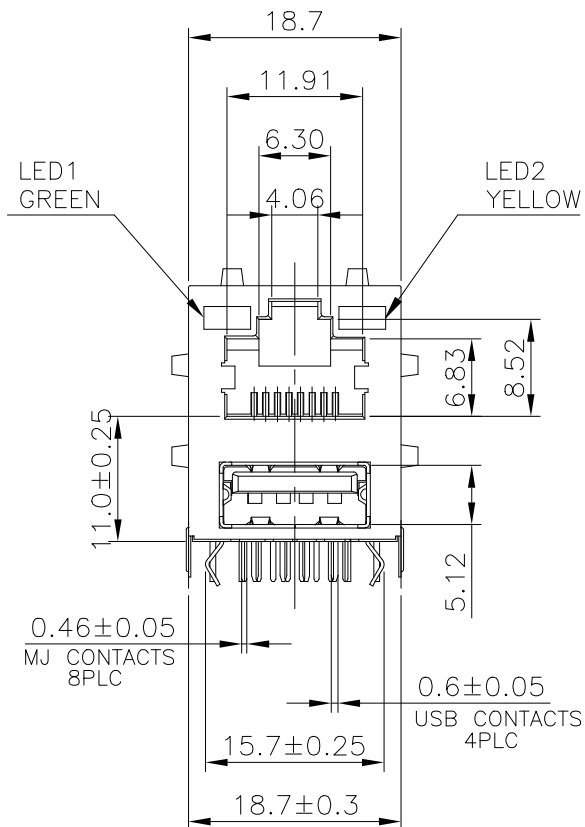
RELEASED FOR PUBLICATION

© COPYRIGHT - TE Connectivity Ltd.

ALL RIGHTS RESERVED.

REVISIONS

P	LTR	DESCRIPTION	DATE	DWN	APVD
-	-	SEE SHEET 1	-	-	-



RECOMMENDED PCB LAYOUT
 RECOMMENDED PCB THICKNESS: 1.6mm
 TOLERANCE: ±0.05 (TOP VIEW)

NOTE:

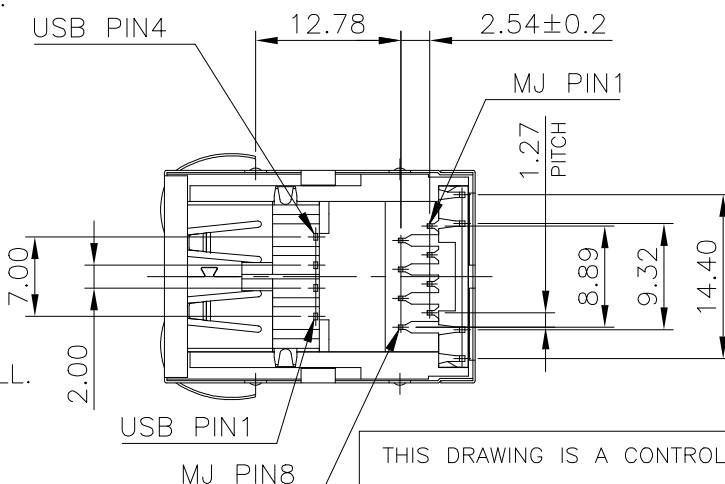
1. MATERIAL:

- 1.1 MJ HOUSING & LED COVER: PBT, WITH 30% GF, UL94V-0, BLACK COLOR.
- 1.2 MJ CONTACTS: PHOSPHOR BRONZE.
- 1.3 MJ SHIELD: BRASS.
- 1.4 LED SOLDER TAIL: EPOXY, STEEL.
- 1.5 USB HOUSING: PBT, UL94V-0, BLACK COLOR.
- 1.6 USB CONTACTS: BRASS.
- 1.7 USB SHIELD: SPCC.

2. FINISH:

- 2.1 MJ CONTACTS: SELECTIVE GOLD PLATED (SEE TABLE) ON CONTACT AREA, GOLD FLASH ON SOLDER TAILS, 1.27um [50u"] MIN. NICKEL UNDERPLATED OVERALL.
- 2.2 MJ SHIELD: 0.508um [20u"] MIN. NICKEL PLATED.
- 2.3 LED SOLDER TAIL: 1.02um [40u"] COPPER UNDERPLATED OVERALL, 1.27um [50u"] NICKEL OVERALL, 1.27um [50u"] SILVER ON BONDING AREA, 2.54um [100u"] BRIGHT-TIN ON SOLDER AREA.
- 2.4 USB CONTACT: SELECTIVE GOLD PLATED (SEE TABLE) ON CONTACT AREA, 2.54um [100u"] MIN. BRIGHT-TIN PLATED ON SOLDER TAILS, 1.27um [50u"] MIN. NICKEL UNDERPLATED OVERALL.
- 2.5 USB SHIELD: 2.032um [80u"] MIN. NICKEL PLATED.

- 3. WAVE SOLDER CAPABLE TO 265°C PER TE CONNECTIVITY SPEC. 109-202, CONDITION B.



LED ELECTRICAL CHARACTERISTIC			
NO.	NODE	COLOR	
LED1	9(+)	10(-)	GREEN 9-10
LED2	11(+)	12(-)	YELLOW 11-12

OBSOLETE	12.90	0.762um [30u"]	6-1775855-3
		GOLD FLASH	6-1775855-1
	WEIGHT (gram)	MIN. GOLD THICKNESS	PART NUMBER

THIS DRAWING IS A CONTROLLED DOCUMENT.		DWN	12JUN2009	
		CHK	B. HSING	
		APVD	12JUN2009	
		APVD	S. CHIEN	
		APVD	12JUN2009	
		APVD	W. KODAMA	
		PRODUCT SPEC	108-57802	
		APPLICATION SPEC	-	
		WEIGHT	-	
		CUSTOMER DRAWING	-	
DIMENSIONS: mm		TOLERANCES UNLESS OTHERWISE SPECIFIED:		
0 PLC ± -		1 PLC ± 0.3		
1 PLC ± 0.3		2 PLC ± 0.2		
2 PLC ± 0.2		3 PLC ± 0.15		
3 PLC ± 0.15		4 PLC ± -		
4 PLC ± -		ANGLES ± 3'		
MATERIAL SEE TABEL		FINISH -		
		NAME		
		TE Connectivity Ltd.		
		MODULAR JACK, RJ45, STACKED OVER, USB CONN., DIP TYPE		
		SIZE	CAGE CODE	DRAWING NO
		A3	00779	C=1775855
		RESTRICTED TO	-	
		SCALE	SHEET	REV
		1:1	4 of 5	E

THIS DRAWING IS UNPUBLISHED.

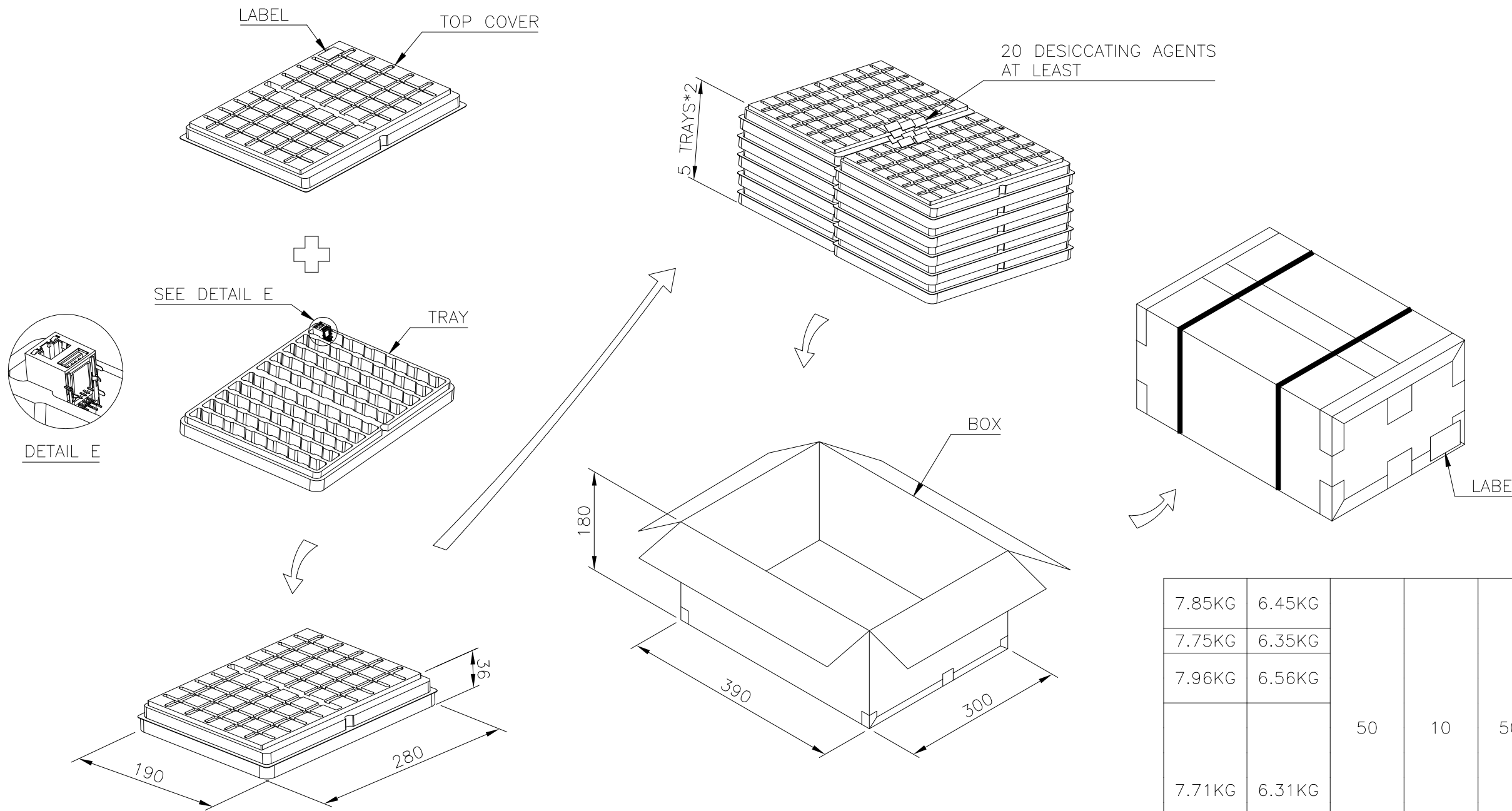
RELEASED FOR PUBLICATION

ALL RIGHTS RESERVED.

© COPYRIGHT - TE Connectivity Ltd.

REVISIONS

P	LTR	DESCRIPTION	DATE	DWN	APVD
-	-	SEE SHEET 1	-	-	-



- NOTES:
- MATERIAL:
TRAY: PVC.
BOX: CORRUGATED FIBER.
 - DIMENSION: SEE DRAWING
 - QUANTITY: SEE TABLE
 - WEIGHT: SEE TABLE

7.85KG	6.45KG	50	10	500	6-1775855-3
7.75KG	6.35KG				6-1775855-1
7.96KG	6.56KG				5-1775855-1
7.71KG	6.31KG				4-1775855-2
					4-1775855-1
					3-1775855-1
		2-1775855-2			
					1-1775855-1
					1775855-3
					1775855-2
					1775855-1
GROSS WEIGHT	NET WEIGHT	PCS/ TRAY	TRAY/ BOX	PCS/ BOX	PART NUMBER

THIS DRAWING IS A CONTROLLED DOCUMENT.		DWN	B. HSING	12JUN2009	 TE Connectivity Ltd.											
DIMENSIONS: mm		CHK	S. CHIEN	12JUN2009												
TOLERANCES UNLESS OTHERWISE SPECIFIED:		APVD	W. KODAMA	12JUN2009												
<table border="0"> <tr><td>0 PLC</td><td>± -</td></tr> <tr><td>1 PLC</td><td>± 0.3</td></tr> <tr><td>2 PLC</td><td>± 0.2</td></tr> <tr><td>3 PLC</td><td>± 0.15</td></tr> <tr><td>4 PLC</td><td>± -</td></tr> <tr><td>ANGLES</td><td>± 3'</td></tr> </table>		0 PLC	± -	1 PLC		± 0.3	2 PLC	± 0.2	3 PLC	± 0.15	4 PLC	± -	ANGLES	± 3'	PRODUCT SPEC	
0 PLC	± -															
1 PLC	± 0.3															
2 PLC	± 0.2															
3 PLC	± 0.15															
4 PLC	± -															
ANGLES	± 3'															
MATERIAL: SEE TABEL		FINISH: -		108-57802												
		APPLICATION SPEC		-												
		WEIGHT		-												
		SIZE	A3	CAGE CODE	00779											
		DRAWING NO		C=1775855												
		RESTRICTED TO		-												
		CUSTOMER DRAWING		SCALE	1:1											
		SHEET		5 of 5												
		REV		E												

Данный компонент на территории Российской Федерации

Вы можете приобрести в компании MosChip.

Для оперативного оформления запроса Вам необходимо перейти по данной ссылке:

<http://moschip.ru/get-element>

Вы можете разместить у нас заказ для любого Вашего проекта, будь то серийное производство или разработка единичного прибора.

В нашем ассортименте представлены ведущие мировые производители активных и пассивных электронных компонентов.

Нашей специализацией является поставка электронной компонентной базы двойного назначения, продукции таких производителей как XILINX, Intel (ex.ALTERA), Vicor, Microchip, Texas Instruments, Analog Devices, Mini-Circuits, Amphenol, Glenair.

Сотрудничество с глобальными дистрибьюторами электронных компонентов, предоставляет возможность заказывать и получать с международных складов практически любой перечень компонентов в оптимальные для Вас сроки.

На всех этапах разработки и производства наши партнеры могут получить квалифицированную поддержку опытных инженеров.

Система менеджмента качества компании отвечает требованиям в соответствии с ГОСТ Р ИСО 9001, ГОСТ РВ 0015-002 и ЭС РД 009

Офис по работе с юридическими лицами:

105318, г.Москва, ул.Щербаковская д.3, офис 1107, 1118, ДЦ «Щербаковский»

Телефон: +7 495 668-12-70 (многоканальный)

Факс: +7 495 668-12-70 (доб.304)

E-mail: info@moschip.ru

Skype отдела продаж:

moschip.ru

moschip.ru_4

moschip.ru_6

moschip.ru_9