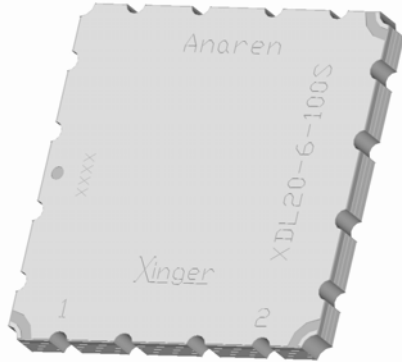


Xinger®

Delay Line



Description

The XDL20-6-100 is a surface mount delay line that uses a slow wave coupling structure that maximizes the amount of delay per unit area over other distributed delay structures. The XDL20-6-100 can be used in amplifier linearization applications from 850 – 2000 MHz. The XDL20-6-100 is ideal for the delay element required in the main loop of feed forward amplifiers. The Xinger® delay lines are a low cost, high quality alternative to the traditional coaxial and filter solutions presently available. Parts have been subjected to rigorous qualification testing and units are 100% tested. Available 6 of 6 tin immersion (XDL20-6-100S) RoHS compliant finishes.

ELECTRICAL SPECIFICATIONS

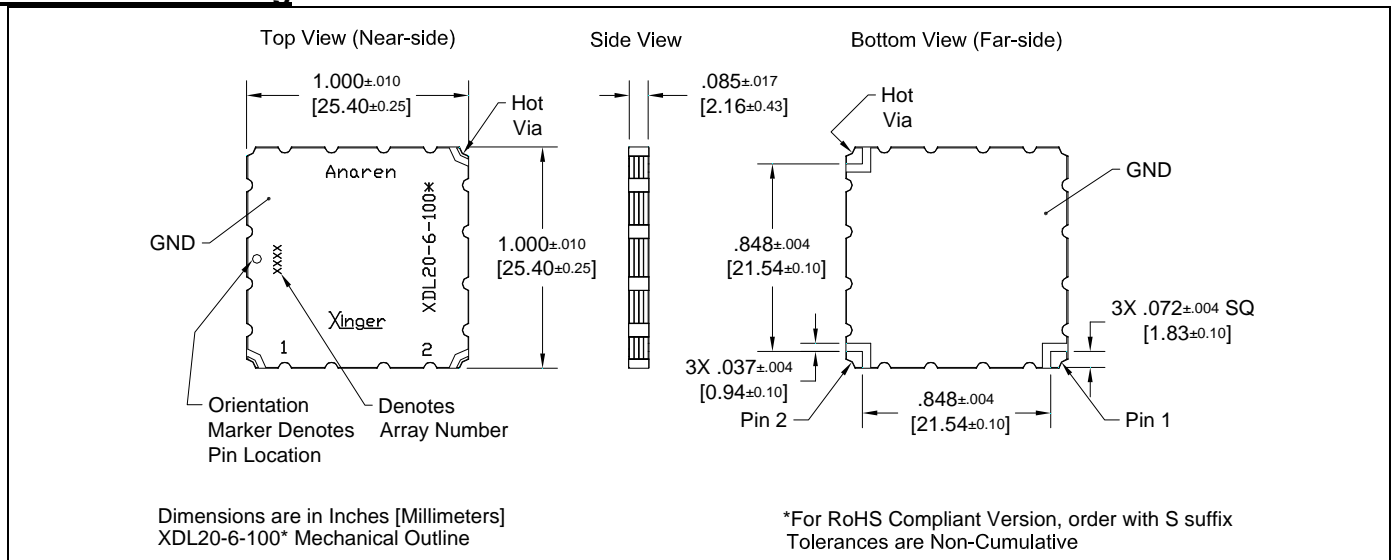
Features:

- Production Friendly
- Consistent Delay
- Stable over Temperature
- Surface Mountable
- Available in Tape&Reel
- Non-Lead Solder Paste Compatible
- Available in Lead-Free (as illustrated) or Tin-Lead
- 100% Tested

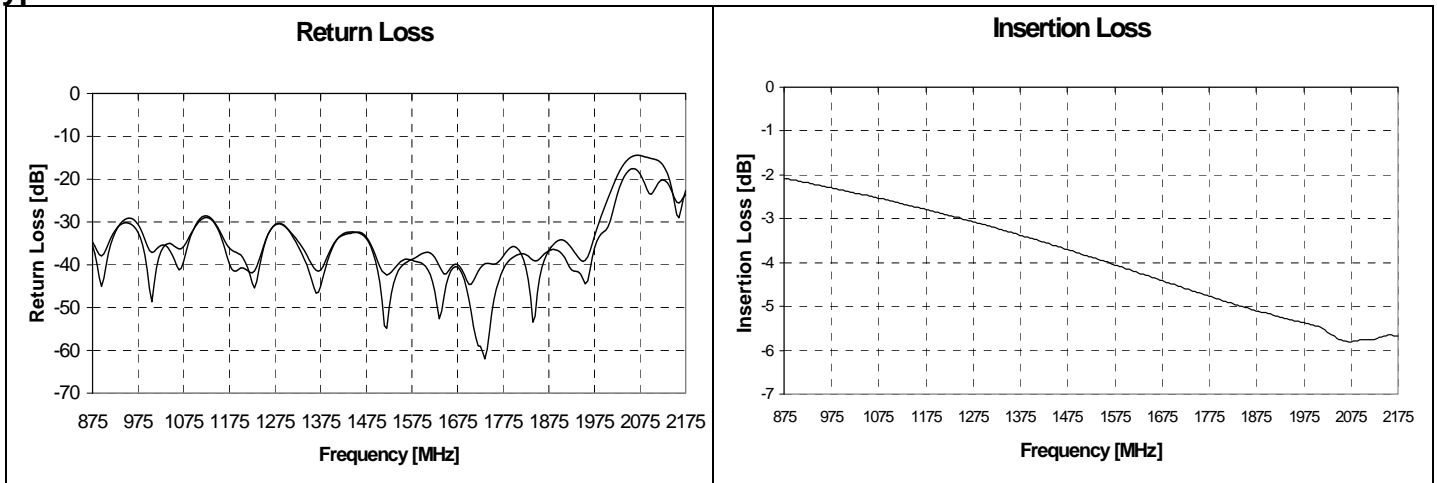
| Frequency (MHz.) | 869-894 AMPS Band | 925-960 GSM Band | 1805-1880 DCS Band | 1930-1990 PCS Band |
|---|----------------------|---------------------|-----------------------|-----------------------|
| Mean Delay (nS) | 5.64 ± 0.11 | 5.76 ± 0.11 | 9.42 ± 0.19 | 9.82 ± 0.20 |
| Deviation from Linear Phase (Degrees Max) | ± 1.00 | ± 1.00 | ± 2.00 | ± 2.00 |
| Amplitude Flatness (dB p-p) | 0.10 | 0.15 | 0.30 | 0.25 |
| Return Loss (dB min) | 20 | 20 | 20 | 20 |
| Insertion Loss (dB/nS) | 0.45 | 0.45 | 0.60 | 0.65 |
| Power Handling (Watts) | 1 | 1 | 1 | 1 |
| ΘJC (°C/watts) | 4.3 | 4.3 | 4.3 | 4.3 |
| Operating Temp. (°C) | -55 to +85 | -55 to +85 | -55 to +85 | -55 to +85 |

Specification based on performance of unit properly installed on microstrip printed circuit boards with 50 Ω nominal impedance. Specifications subject to change without notice.

Mechanical Drawing



Typical Performance: 875 to 2175MHz



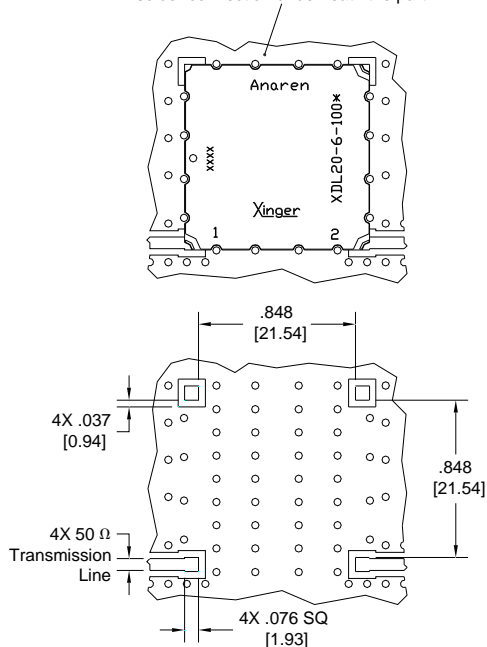
AVERAGE DELAY

The average delay is defined as the group delay of the input signal through the delay line. Because the Xinger delay lines take advantage of a narrow band tuning technique, the average delay over the broad band varies. The lot-to-lot variation is reflected in the plus/minus tolerance given in specifications.

Refer to Anaren Application Note AAN-232 for further information on Xinger delay lines.

Mounting Guidelines:

To ensure proper electrical and thermal performance there must be a ground plane with 100% solder connection underneath the part



Dimensions are in Inches [Millimeters]
XDL20-6-100* Rev A Mounting Footprint

In order for Xinger surface mount delay lines to work optimally, there must be 50Ω transmission lines leading to and from all of the RF ports. Also, there must be a very good ground plane under the part with a number of plated thru holes to ensure proper electrical performance. If any of these conditions are not satisfied, insertion loss, average delay and VSWR may not meet published specifications.

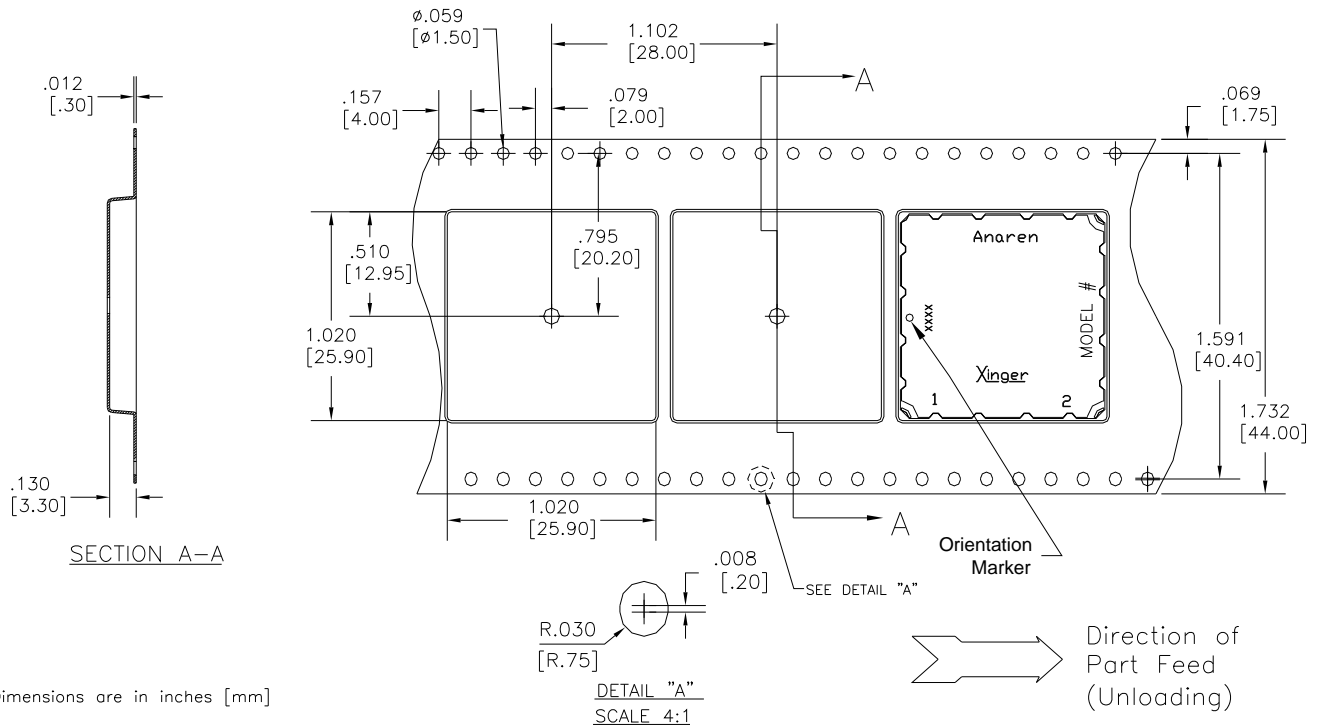
When a surface mount delay line is mounted to a printed circuit board (PCB), the primary concerns are; insuring the RF pads of the device are in contact with the circuit trace of the PCB and the ground plane of neither the component nor the PCB are in contact with the RF signal. An example of how the PCB footprint could look is shown below. In particular designs, the 50Ω lines need to be adjusted to the unique dielectric coefficients and thicknesses as well as varying pick and place equipment tolerances.



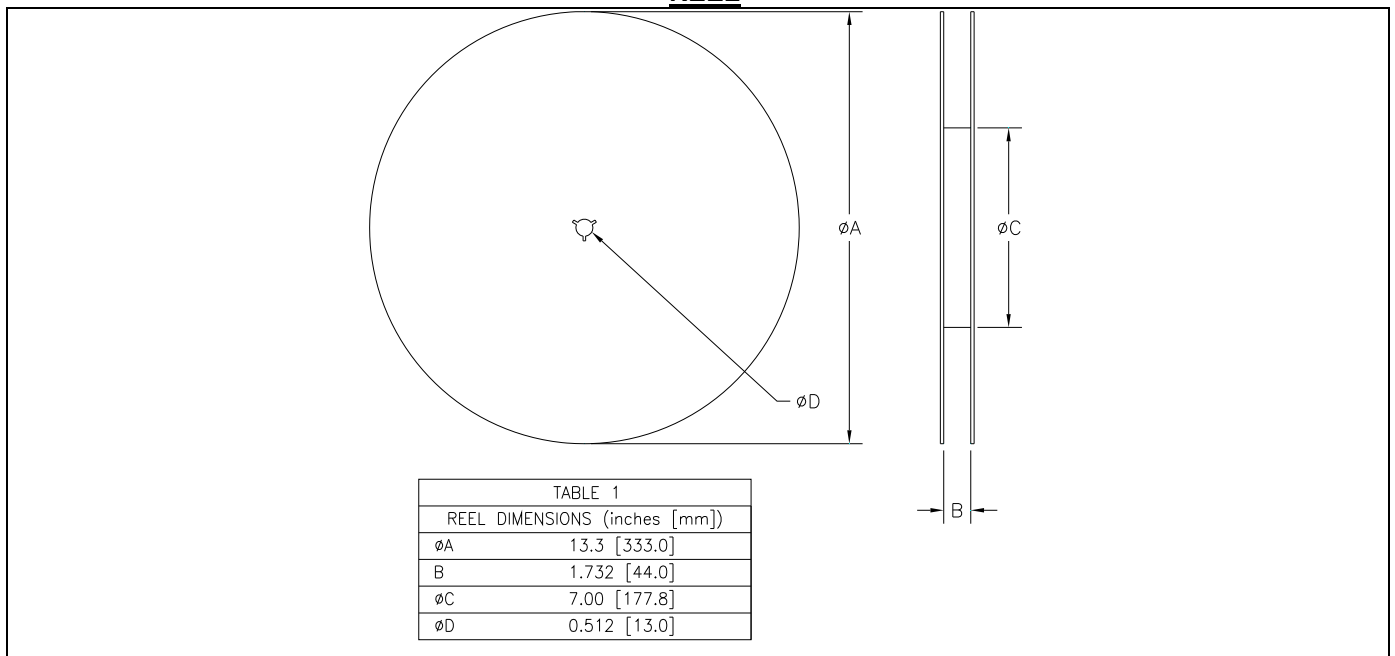


Packaging and Ordering Information

Parts are available in both reel and tube. Packaging follows EIA 481-2. Parts are oriented in tape and reel as shown below. Minimum order quantities are 350 per reel and 23 per tube.



REEL



Данный компонент на территории Российской Федерации

Вы можете приобрести в компании MosChip.

Для оперативного оформления запроса Вам необходимо перейти по данной ссылке:

<http://moschip.ru/get-element>

Вы можете разместить у нас заказ для любого Вашего проекта, будь то серийное производство или разработка единичного прибора.

В нашем ассортименте представлены ведущие мировые производители активных и пассивных электронных компонентов.

Нашей специализацией является поставка электронной компонентной базы двойного назначения, продукции таких производителей как XILINX, Intel (ex.ALTERA), Vicor, Microchip, Texas Instruments, Analog Devices, Mini-Circuits, Amphenol, Glenair.

Сотрудничество с глобальными дистрибьюторами электронных компонентов, предоставляет возможность заказывать и получать с международных складов практически любой перечень компонентов в оптимальные для Вас сроки.

На всех этапах разработки и производства наши партнеры могут получить квалифицированную поддержку опытных инженеров.

Система менеджмента качества компании отвечает требованиям в соответствии с ГОСТ Р ИСО 9001, ГОСТ РВ 0015-002 и ЭС РД 009

Офис по работе с юридическими лицами:

105318, г.Москва, ул.Щербаковская д.3, офис 1107, 1118, ДЦ «Щербаковский»

Телефон: +7 495 668-12-70 (многоканальный)

Факс: +7 495 668-12-70 (доб.304)

E-mail: info@moschip.ru

Skype отдела продаж:

moschip.ru

moschip.ru_4

moschip.ru_6

moschip.ru_9