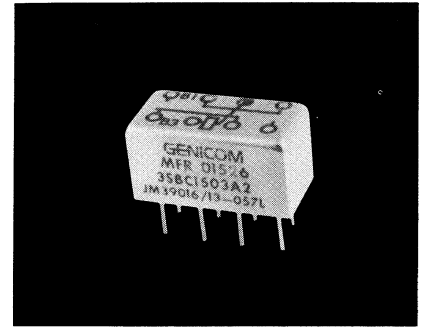




150 Grid-space Micro-miniature Relays



A

Type 3SBC (2PDT) Standard

135mW 2PDT
50 mW (Form AB) 1 PNC — 1 PNO

Features

- Low profile... only 0.32 inch high
- Internal diode for coil transient suppression and transistor driven models available
- MIL-R-39016/13
- RF designs available

Description

The 150 Grid-space relay — only 0.32 inches high — save space in electronic packaging. The pin spacing allows you to insert the relay with no intermediate pin spreaders as well as meet applicable military specifications.

Other Specifications

Contact Ratings:

DC resistive — 2 amps at 28 volts (50,000 operations)
1 Amp@ 28V (100,000 operations)
DC inductive — 0.5 amps at 28 volts, 200 mH
AC resistive — 0.5 amps at 115 volts
AC - 0.125 amps at 115 volts (case grounded)
Low-level — 50 μ A at 50 mV
Peak AC or DC

Contact Resistance:

0.050 ohms max.; 0.150 ohm after life test

Life:

100,000 operations at rated loads listed;
1,000,000 operations at low-level loads

Operate Time:

4 ms max.

Release Time:

4 ms max.

Bounce:

1.5 millisecond

Dielectric Strength:

500 volts rms at sea level
350 volts rms at 70,000 feet and above

Insulation Resistance:

1,000 megohms minimum over temperature range

Vibration:

30G, to 3000 Hz

Shock:

100G at 11 ms

Temperature:

-65C to +125C

See page 15 for Mounting Forms, Terminals and Circuit Diagrams.

F

Coil Table Type 3SBC (All Values DC)*2PDT, 135 mW Sensitivity: (Code 1)

| Coil Code Letter | Coil Resistance @ 25C (ohms) | Voltage Calibrated, Code 5 | | | | Current Calibrated, Code 6 | | | |
|------------------|------------------------------|----------------------------|--------------------------|-----------------------------|------|-------------------------------------|---------------------------------|----------------------------------|------|
| | | Suggested Source Volts† | Max. Operate Volts @ 25C | Release Voltage Range @ 25C | | Max. Continuous Current @ 125C (mA) | Max. Operate Current @ 25C (mA) | Release Current Range @ 25C (mA) | |
| | | | | Max. | Min. | | | Max. | Min. |
| A | 44 \pm 10% | 3.5-6.2 | 2.4 | 1.45 | 0.26 | 87.0 | 54.5 | 32.7 | 6.00 |
| B | 56 \pm 10% | 4.0-7.0 | 2.7 | 1.6 | 0.3 | 77.0 | 48.3 | 28.6 | 5.30 |
| D | 140 \pm 10% | 6.4-12.0 | 4.4 | 2.6 | 0.5 | 50.3 | 31.4 | 18.5 | 3.60 |
| E | 210 \pm 10% | 8.0-16.0 | 5.4 | 3.2 | 0.6 | 40.0 | 25.7 | 15.4 | 2.80 |
| L | 650 \pm 10% | 13.6-24.0 | 9.5 | 5.6 | 1.0 | 22.9 | 14.3 | 8.6 | 1.54 |
| K | 1350 \pm 10% | 20.0-35.0 | 13.5 | 8.1 | 1.5 | 15.5 | 10.0 | 6.0 | 1.10 |
| N | 2245 \pm 10% | 26.0-46.0 | 17.1 | 10.5 | 1.9 | 12.0 | 7.6 | 4.7 | 0.84 |

E

F

Coil-Data (All Values DC)* Type 3SBC Form AB 50 mW Sensitivity non mil spec: (Code 2)

| Coil Code Letter | Coil Resistance @ 25C (ohms) | Voltage Calibrated, Code 5 | | | | Current Calibrated, Code 6 | | | |
|------------------|------------------------------|----------------------------|--------------------------|-----------------------------|------|-------------------------------------|---------------------------------|----------------------------------|------|
| | | Suggested Source Volts† | Max. Operate Volts @ 25C | Release Voltage Range @ 25C | | Max. Continuous Current @ 125C (mA) | Max. Operate Current @ 25C (mA) | Release Current Range @ 25C (mA) | |
| | | | | Max. | Min. | | | Max. | Min. |
| B | 56 \pm 10% | 2.6-7.0 | 1.8 | 1.1 | 0.16 | 46.5 | 29.1 | 18.2 | 3.30 |
| C | 85 \pm 10% | 3.3-9.5 | 2.3 | 1.4 | 0.20 | 38.7 | 24.2 | 15.1 | 2.70 |
| D | 140 \pm 10% | 4.3-12.0 | 2.9 | 1.8 | 0.27 | 30.4 | 19.0 | 11.9 | 2.10 |
| E | 210 \pm 10% | 5.3-14.0 | 3.6 | 2.2 | 0.33 | 24.8 | 15.5 | 9.7 | 1.75 |
| F | 360 \pm 10% | 6.7-19.0 | 4.5 | 2.8 | 0.41 | 18.9 | 11.8 | 7.2 | 1.30 |
| G | 510 \pm 10% | 8.2-23.0 | 5.6 | 3.5 | 0.51 | 15.8 | 9.9 | 6.2 | 1.10 |
| H | 775 \pm 10% | 10.0-26.0 | 6.8 | 4.2 | 0.62 | 12.8 | 8.0 | 5.0 | 0.90 |
| K | 1350 \pm 10% | 13.2-35.0 | 9.0 | 5.6 | 0.82 | 9.8 | 6.1 | 3.8 | 0.68 |
| N | 2245 \pm 10% | 16.8-46.0 | 11.4 | 7.1 | 1.00 | 7.4 | 4.6 | 2.9 | 0.52 |

E

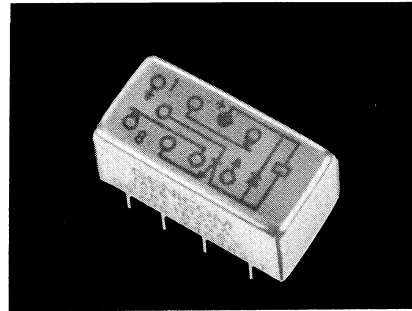
*Values listed are factory test and inspection data. User should allow for meter variations.

†At nominal resistance plus 10%.

‡ Applicable over the operating temperature range in circulating air.

150 Grid-space Hybrid Micro-miniature Relays

Single Diode, Dual Diode



Type 3SBC (2PDT) 135 mW

Features

- Low profile... only 0.32 inch high
- 50 milliwatt forms available
- MIL-R-39016/37
- MIL-R-39016/38
- RF designs available

Description

The hybrid 150 Grid-space relay — only 0.32 inches high — saves space in electronic packaging. The pin spacing allows you to insert the relay with no intermediate pin spreader.

Other Specifications

Contact Ratings:

DC resistive — 2 amps at 28 volts (50,000 operations)
1 Amp@ 28V (100,000 operations)
DC inductive — 0.5 amps at 28 volts, 200 mH
AC resistive — 0.5 amps at 115 volts
AC - 0.125 amps at 115 volts (case grounded)
Low-level — 50 μ A at 50 mV
Peak AC or DC

Contact Resistance:

0.050 ohms max.; 0.150 ohm after life test

Life:

100,000 operations at rated loads listed;
1,000,000 operations at low-level loads.

Operate Time:

4 ms max.

Release Time:

6 ms max.

Bounce:

1.5 millisecond

Dielectric Strength: Note (1)

500 volts rms at sea level
350 volts rms at 70,000 feet and above

Insulation Resistance: Note (1)

1,000 megohms minimum over temperature range

Vibration:

30G, to 3000 Hz

Shock:

100G at 11 ms

Temperature:

-65C to +125C

Semiconductor Characteristics at 25C

DIODE

Max. Negative Transient: 1.0 volt
Breakdown voltage: 100VDC @ 10 microamps
Max. Leakage Current: 1 micro amp @ 50 VDC

See page 15 for Mounting Forms, Terminals and Circuit Diagrams.

Coil Table Single Diode (All Values DC)*(2DPT), 135 mW Sensitivity: (Code 5)

| Coil Code Letter | Coil Resistance @ 25C (ohms) | Voltage Calibrated, Code 5 | | | | Current Calibrated, Code 6 | | | |
|------------------|------------------------------|----------------------------|--------------------------|-----------------------------|------|-------------------------------------|---------------------------------|----------------------------------|------|
| | | Suggested Source Volts† | Max. Operate Volts @ 25C | Release Voltage Range @ 25C | | Max. Continuous Current @ 125C (mA) | Max. Operate Current @ 25C (mA) | Release Current Range @ 25C (mA) | |
| | | | | Max. | Min. | | | Max. | Min. |
| A | 44 ± 10% | 3.5- 6.2 | 2.4 | 1.45 | 0.26 | 87.0 | 54.5 | 32.7 | 6.00 |
| B | 56 ± 10% | 4.0- 7.0 | 2.7 | 1.6 | 0.3 | 77.0 | 48.3 | 28.6 | 5.30 |
| D | 140 ± 10% | 6.4-12.0 | 4.4 | 2.6 | 0.5 | 50.3 | 31.4 | 18.5 | 3.60 |
| E | 210 ± 10% | 8.0-16.0 | 5.4 | 3.2 | 0.6 | 40.0 | 25.7 | 15.4 | 2.80 |
| L | 650 ± 10% | 13.6-24.0 | 9.5 | 5.6 | 1.0 | 22.9 | 14.3 | 8.6 | 1.54 |
| K | 1350 ± 10% | 20.0-35.0 | 13.5 | 8.1 | 1.5 | 15.5 | 10.0 | 6.0 | 1.10 |
| N | 2245 ± 10% | 26.0-46.0 | 17.1 | 10.5 | 1.9 | 12.0 | 7.6 | 4.7 | 0.84 |

Coil Table Dual Diode (All Values DC)*(2DPT), 135 mW Sensitivity: (Code 6)

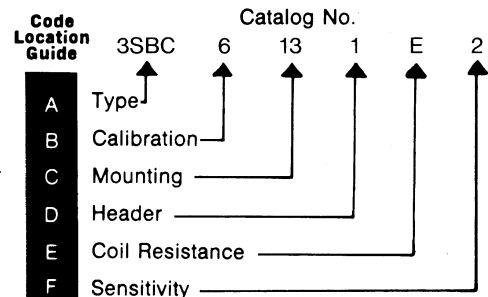
| Coil Code Letter | Coil Resistance @ 25C (ohms) | Suggested Source Volts† | Max. Operate Volts @ 25C | Max. | Min. | Max. Continuous Current @ 125C (mA) | Max. Operate Current @ 25C (mA) | Max. | Min. |
|------------------|------------------------------|-------------------------|--------------------------|------|------|-------------------------------------|---------------------------------|------|------|
| A | 44 ± 10% | 3.9- 7.0 | 3.4 | 2.0 | 0.37 | 98.2 | 77.3 | 45.5 | 8.4 |
| B | 56 ± 10% | 4.6- 8.0 | 3.7 | 2.2 | 0.41 | 89.8 | 66.1 | 39.3 | 7.1 |
| D | 140 ± 10% | 7.8-12.0 | 5.4 | 3.2 | 0.6 | 52.4 | 38.6 | 22.9 | 4.3 |
| E | 210 ± 10% | 9.3-16.0 | 6.4 | 3.8 | 0.7 | 41.4 | 30.5 | 18.1 | 3.3 |
| L | 650 ± 10% | 15.0-24.0 | 10.5 | 6.2 | 1.1 | 23.6 | 16.2 | 9.5 | 1.7 |
| K | 1350 ± 10% | 21.0-35.0 | 14.5 | 8.7 | 1.6 | 16.0 | 10.7 | 6.4 | 1.2 |
| N | 2245 ± 10% | 27.0-46.0 | 18.1 | 10.9 | 2.0 | 12.1 | 8.1 | 4.9 | 0.9 |

ORDERING INSTRUCTIONS

Example: The relay selected in the example is a FORM AB 150-grid relay, current calibrated, end bracket mounting with 0.13-inch solder hook header, 210 ohms coil resistance, and 50 mW sensitivity. By choosing the proper code for each of these relay characteristics, the

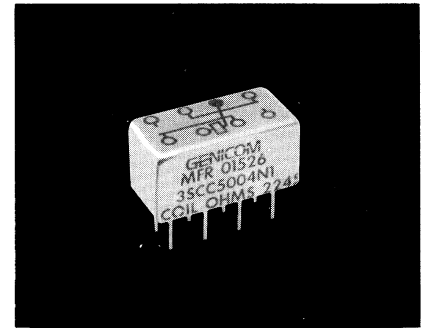
catalog number is 3SBC6131E2. The letter R following sensitivity code indicates relay received 5000 operation miss-test. Ex. 3SBC6131E2R.

Note: Relays specified by catalog numbers (per above directions) are general-use items controlled by catalog specifications. Relays to be controlled by customer drawings — or relays having requirements not covered in this publication — will be assigned special catalog numbers upon request.





150 Grid-space Long-life Micro-miniature Relays



A

Type 3SCC (2PDT) 170 mW

Features

- 100,000,000 operations low-level signal loads
- RF designs available
- Low profile — .320 height
- Hermetic seal
- High reliability
- Performance tested

Description

The .150 Grid relay, the smallest (.320 inches high) 2 Amp Rated relay available in commercial and military qualified models, is now available in the long life version. Capable of over 100,000,000 mechanical operations at low level and signal load, the .150 Grid relay provides the simplicity of relays for circuit design, the low circuit resistance of precious metal

contact systems, and the long life processing that has made CII relays the standard for quality and reliability.

Other Specifications

Contact Ratings:

DC resistive — 2 amps at 28 volts (50,000 operations)
 1 Amp@ 28V (100,000 operations)
 DC inductive — 0.5 amps at 28 volts, 200 mH
 AC resistive — 0.5 amps at 115 volts
 AC - 0.125 amps at 115 volts (case grounded)
 Low-level — 50 μ A at 50 mV
 Peak AC or DC

Contact Resistance:

0.050 ohm max.; 0.150 ohms after life test

Life:

100,000 operations at rated loads listed;
 100,000,000 operations at low-level loads

Operate Time:

4 ms max.

Release Time:
4 ms max.

Bounce:
1.5 millisecond

Dielectric Strength:
500 volts rms at sea level
350 volts rms at 70,000 feet and above

Insulation Resistance:
1,000 megohms minimum over temperature range

Vibration:
30G, to 3000 Hz

Shock:
100G at 11 ms

Temperature:
- 40C to + 125C

See page 15 for Mounting Forms, Terminals and Circuit Diagrams.

F

B

E

Coil Table Type 3SCC (All Values DC)* 2 PDT Relay — 170mW Sensitivity: (Code 1)

| Coil Code Letter | Coil Resistance @ 25C (ohms) | Voltage Calibrated, Code 5 | | | | Current Calibrated, Code 6 | | | |
|------------------|------------------------------|----------------------------|-------------------------|-----------------------------|------|-------------------------------------|---------------------------------|----------------------------------|------|
| | | Suggested Source Volts† | Max. Operate Volts @25C | Release Voltage Range @ 25C | | Max. Continuous Current @ 125C (mA) | Max. Operate Current @ 25C (mA) | Release Current Range @ 25C (mA) | |
| | | | | Max. | Min. | | | Max. | Min. |
| A | 44 ± 10% | 3.5- 6.2 | 2.7 | 1.45 | 0.26 | 87.0 | 61.4 | 32.7 | 6.00 |
| B | 56 ± 10% | 4.0- 7.0 | 3.1 | 1.6 | 0.3 | 77.0 | 55.4 | 28.6 | 5.30 |
| D | 140 ± 10% | 6.4-12.0 | 4.9 | 2.6 | 0.5 | 50.3 | 35.0 | 18.5 | 3.60 |
| E | 210 ± 10% | 8.0-16.0 | 5.9 | 3.2 | 0.6 | 40.0 | 28.0 | 15.4 | 2.80 |
| L | 650 ± 10% | 13.6-24.0 | 10.5 | 5.6 | 1.0 | 22.9 | 16.2 | 8.6 | 1.54 |
| K | 1350 ± 10% | 20.0-35.0 | 15.1 | 8.1 | 1.5 | 15.5 | 11.2 | 6.0 | 1.10 |
| N | 2245 ± 10% | 26.0-46.0 | 19.5 | 10.5 | 1.9 | 12.0 | 8.7 | 4.7 | 0.84 |

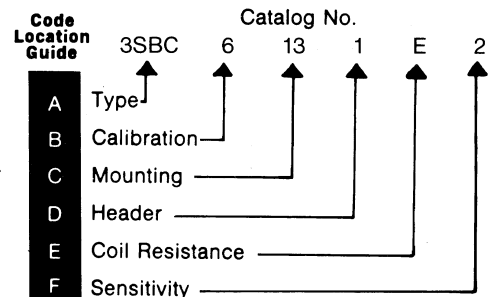
* Values listed are factory test and inspection data. User should allow for meter variations.
 † Applicable over the operating temperature range in circulating air.

ORDERING INSTRUCTIONS

Example: The relay selected in the example is a FORM AB 150-grid relay, current calibrated, end bracket mounting with 0.13-inch solder hook header, 210 ohms coil resistance, and 50 mW sensitivity. By choosing the proper code for each of these relay characteristics, the

catalog number is 3SBC6131E2. The letter R following sensitivity code indicates relay received 5000 operation miss-test. Ex. 3SBC6131E2R.

Note: Relays specified by catalog numbers (per above directions) are general-use items controlled by catalog specifications. Relays to be controlled by customer drawings — or relays having requirements not covered in this publication — will be assigned special catalog numbers upon request.

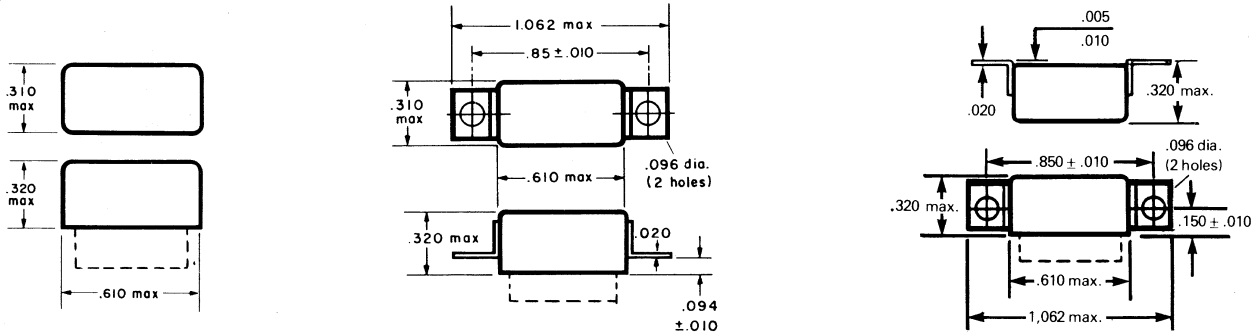


Mounting Forms (3SBC, 3SCC)

(Vibration note with each form is acceleration from 55 to 3000 Hz)

All dimensions in inches

| TOLERANCES (Unless otherwise specified) | |
|--|---------|
| Hundredths | ± 0.020 |
| Thousandths | ± 0.005 |



No Mount

End Bracket

Side Bracket

| Mounting Code | Vibration |
|---------------|-----------|
| 00 | 30g |

| Mounting Code | Vibration |
|---------------|-----------|
| 13 | 30g |

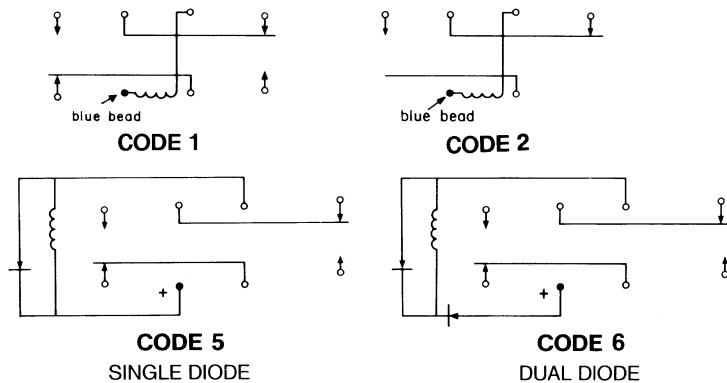
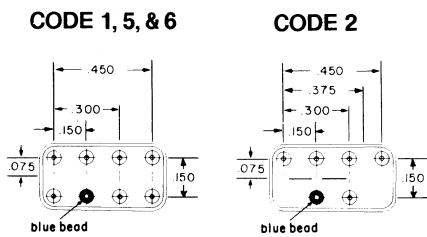
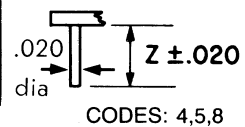
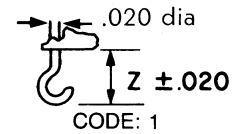
| Mounting Code | Vibration |
|---------------|-----------|
| 25 | 30g |

*Assumes relay held securely by potting or other means

HEADER AND CONNECTION DIAGRAMS

HEADER TYPES

| TYPE | Z DIMENSION | HEADER CODE |
|--------------|-------------|-------------|
| Solder hook | 0.13 | 1 |
| Straight pin | 0.12 | 8 |
| Straight pin | 0.19 | 4 |
| Straight pin | 0.25 | 5 |



TERMINAL VIEW

C

D

F

Данный компонент на территории Российской Федерации

Вы можете приобрести в компании MosChip.

Для оперативного оформления запроса Вам необходимо перейти по данной ссылке:

<http://moschip.ru/get-element>

Вы можете разместить у нас заказ для любого Вашего проекта, будь то серийное производство или разработка единичного прибора.

В нашем ассортименте представлены ведущие мировые производители активных и пассивных электронных компонентов.

Нашей специализацией является поставка электронной компонентной базы двойного назначения, продукции таких производителей как XILINX, Intel (ex.ALTERA), Vicor, Microchip, Texas Instruments, Analog Devices, Mini-Circuits, Amphenol, Glenair.

Сотрудничество с глобальными дистрибьюторами электронных компонентов, предоставляет возможность заказывать и получать с международных складов практически любой перечень компонентов в оптимальные для Вас сроки.

На всех этапах разработки и производства наши партнеры могут получить квалифицированную поддержку опытных инженеров.

Система менеджмента качества компании отвечает требованиям в соответствии с ГОСТ Р ИСО 9001, ГОСТ РВ 0015-002 и ЭС РД 009

Офис по работе с юридическими лицами:

105318, г.Москва, ул.Щербаковская д.3, офис 1107, 1118, ДЦ «Щербаковский»

Телефон: +7 495 668-12-70 (многоканальный)

Факс: +7 495 668-12-70 (доб.304)

E-mail: info@moschip.ru

Skype отдела продаж:

moschip.ru

moschip.ru_4

moschip.ru_6

moschip.ru_9